

[54] AIR FRESHENER DISPENSER FOR VEHICLES

[75] Inventor: Yoshihisa Tanaka, Ichikawa, Japan

[73] Assignee: Tanaka Manufacturing Co., Ltd., Tokyo, Japan

[\*\*] Term: 14 Years

[21] Appl. No.: 550,010

[22] Filed: Nov. 8, 1983

[30] Foreign Application Priority Data

Jul. 25, 1983 [JP] Japan ..... 58-32634

[52] U.S. Cl. .... D23/150

[58] Field of Search ..... D23/38, 150; 239/34-60

[56] References Cited

U.S. PATENT DOCUMENTS

D. 235,648 7/1975 Anderson ..... D23/150

D. 237,620 11/1975 Jones et al. .... D23/150  
D. 246,318 11/1977 Layton et al. .... D23/150  
D. 268,361 3/1983 von Philipp et al. .... D23/150  
4,154,398 5/1979 Gvalandi ..... 239/59  
4,374,571 2/1983 Hirvela ..... 239/36

Primary Examiner—James R. Largen

[57] CLAIM

The ornamental design for air freshener dispenser for vehicles, as shown and described.

DESCRIPTION

FIG. 1 is a perspective view taken from the top, front and right side of an air freshener dispenser for vehicles showing my new design;

FIG. 2 is a perspective view taken from the top, front and left side thereof, showing the dispenser in an open position;

FIG. 3 is a front elevational view thereof, the rear being the same as the front shown; and

FIG. 4 is a bottom plan view thereof.

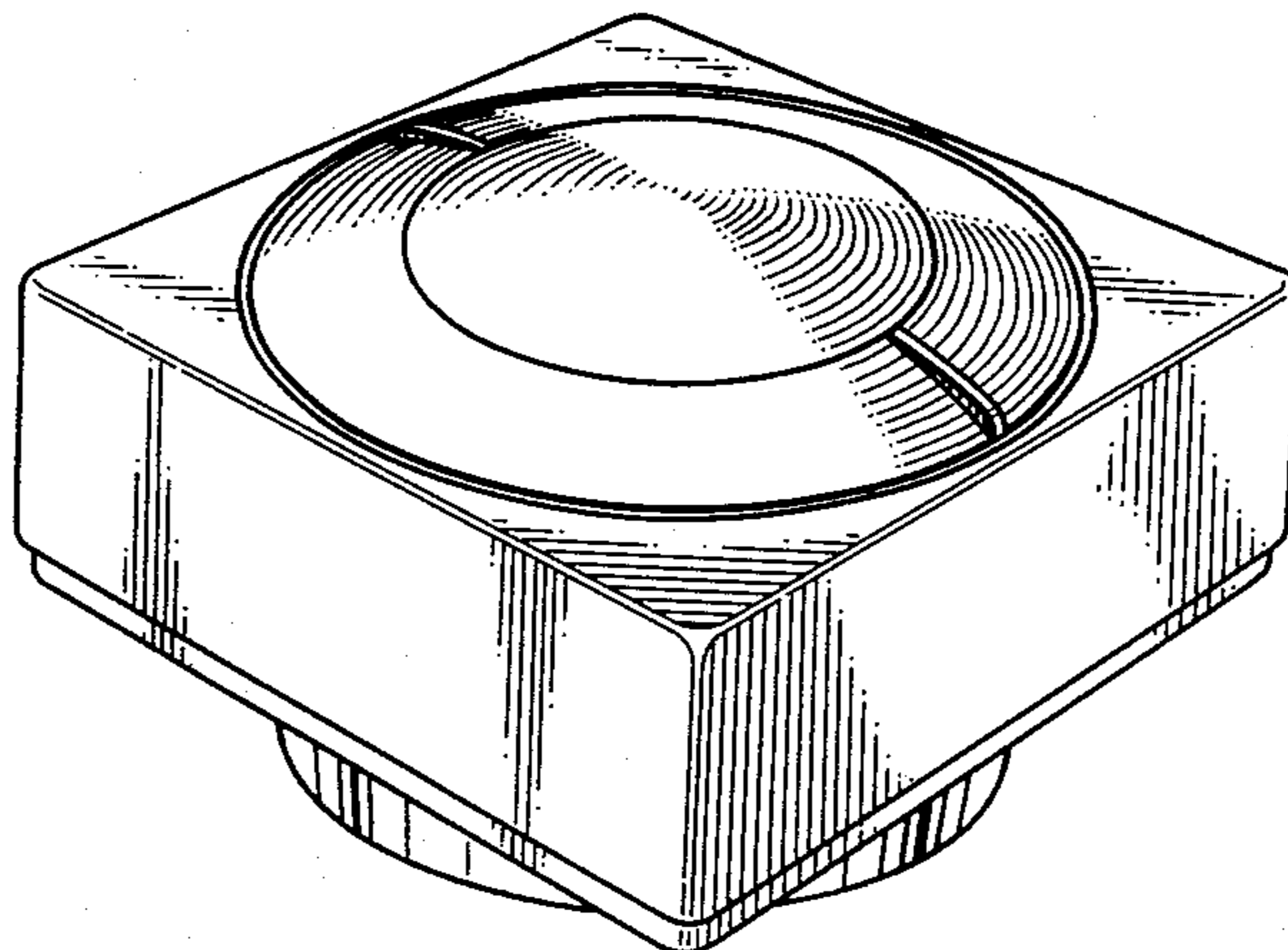


Fig. 1

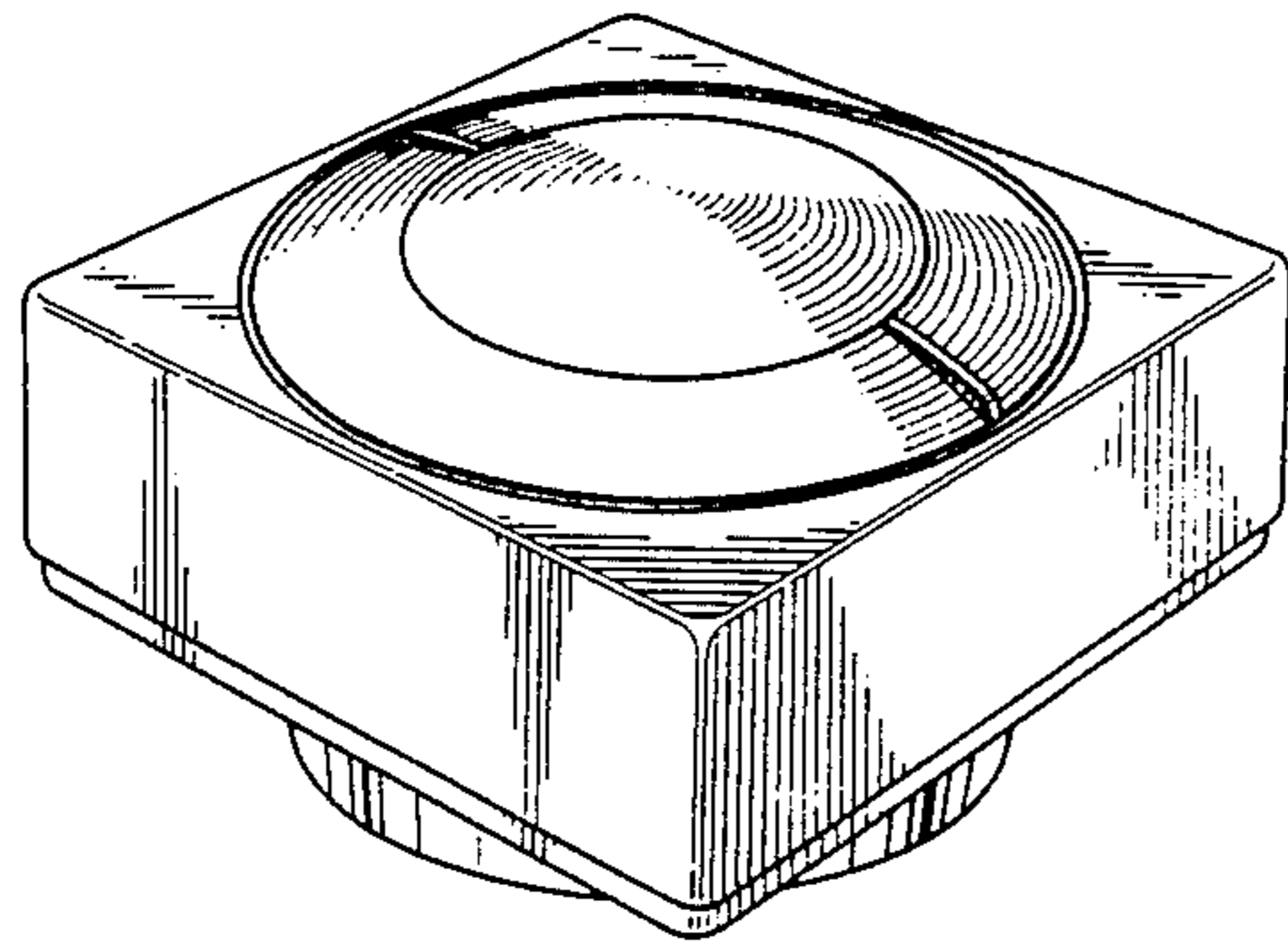


Fig. 2

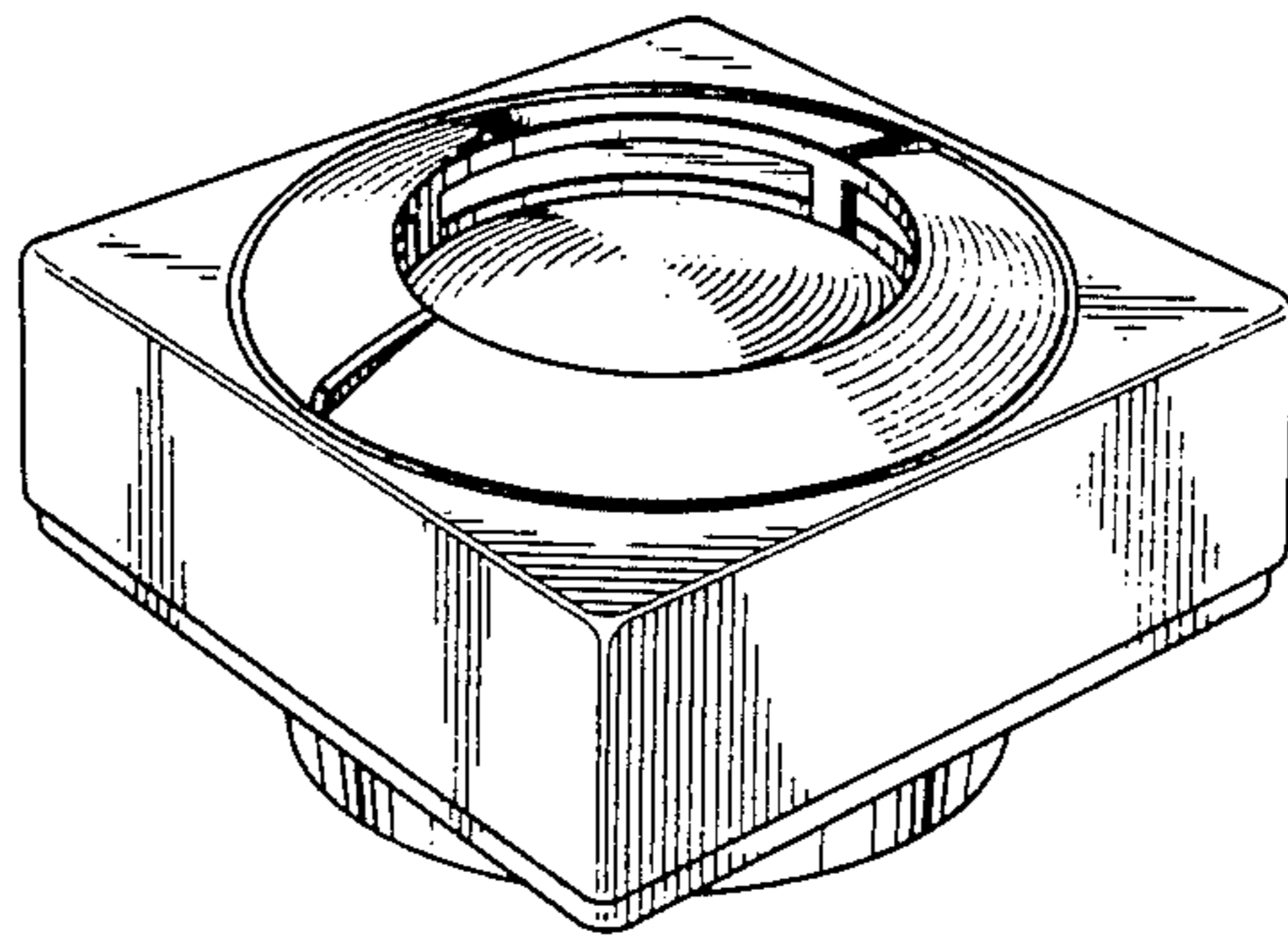


Fig. 3

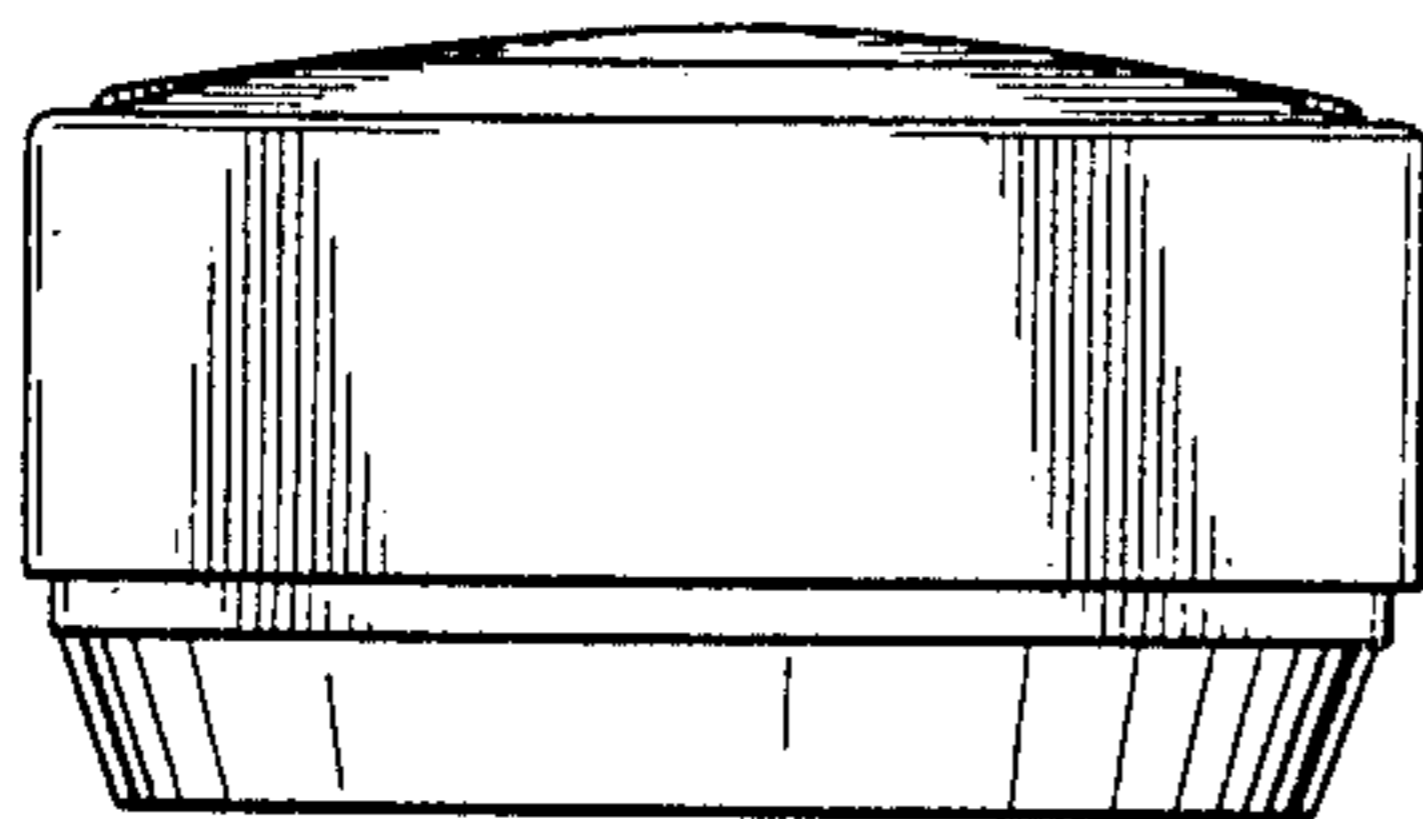


Fig. 4

