

[54] SPOUT

[75] Inventors: **Charles D. Miller; Bernard O. Daniels; William C. McKeone**, all of Kansas City, Mo.

[73] Assignee: **Broadway Industries, Inc.**, Kansas City, Mo.

[**] Term: **14 Years**

[21] Appl. No.: **595,648**

[22] Filed: **Apr. 2, 1984**

[52] U.S. Cl. **D23/32**

[58] Field of Search **D23/23-32;**
4/191, 192; 137/606, 801

[56] **References Cited**

U.S. PATENT DOCUMENTS

D. 200,622	3/1965	Whitenor, Jr.	D23/32
D. 209,380	11/1967	DuBois	D23/32
D. 219,740	1/1971	Niemann	D23/32
D. 227,467	6/1973	Genaro et al.	D23/32
D. 235,099	5/1975	Doman	D23/32
D. 263,991	4/1982	Fleischmann et al.	D23/32
D. 276,259	11/1984	Miller	D23/25
3,801,997	4/1974	Ward	4/191

Primary Examiner—James R. Largen

Attorney, Agent, or Firm—Schmidt, Johnson, Hovey & Williams

[57] **CLAIM**

The ornamental design for a spout, as shown and described.

DESCRIPTION

FIG. 1 is a left side elevational view of a spout showing our new design;
 FIG. 2 is a right side elevational view thereof;
 FIG. 3 is a front elevational view thereof;
 FIG. 4 is a rear elevational view thereof;
 FIG. 5 is a top plan view thereof;
 FIG. 6 is a cross sectional view taken on line 6—6 of FIG. 3;
 FIG. 7 is a fragmentary bottom plan view of the spout tip thereof;
 FIG. 8 is a fragmentary front elevational view of a modified form of the spout shown in FIG. 1;
 FIG. 9 is a top plan view of FIG. 8;
 FIG. 10 is an elevational view of the spout tip for the spout shown in FIG. 8;
 FIG. 11 is a fragmentary front elevational view of a second modified form of the spout shown in FIG. 1;
 FIG. 12 is a top plan view of FIG. 11; and
 FIG. 13 is an elevational view of the spout tip for the spout shown in FIG. 11.

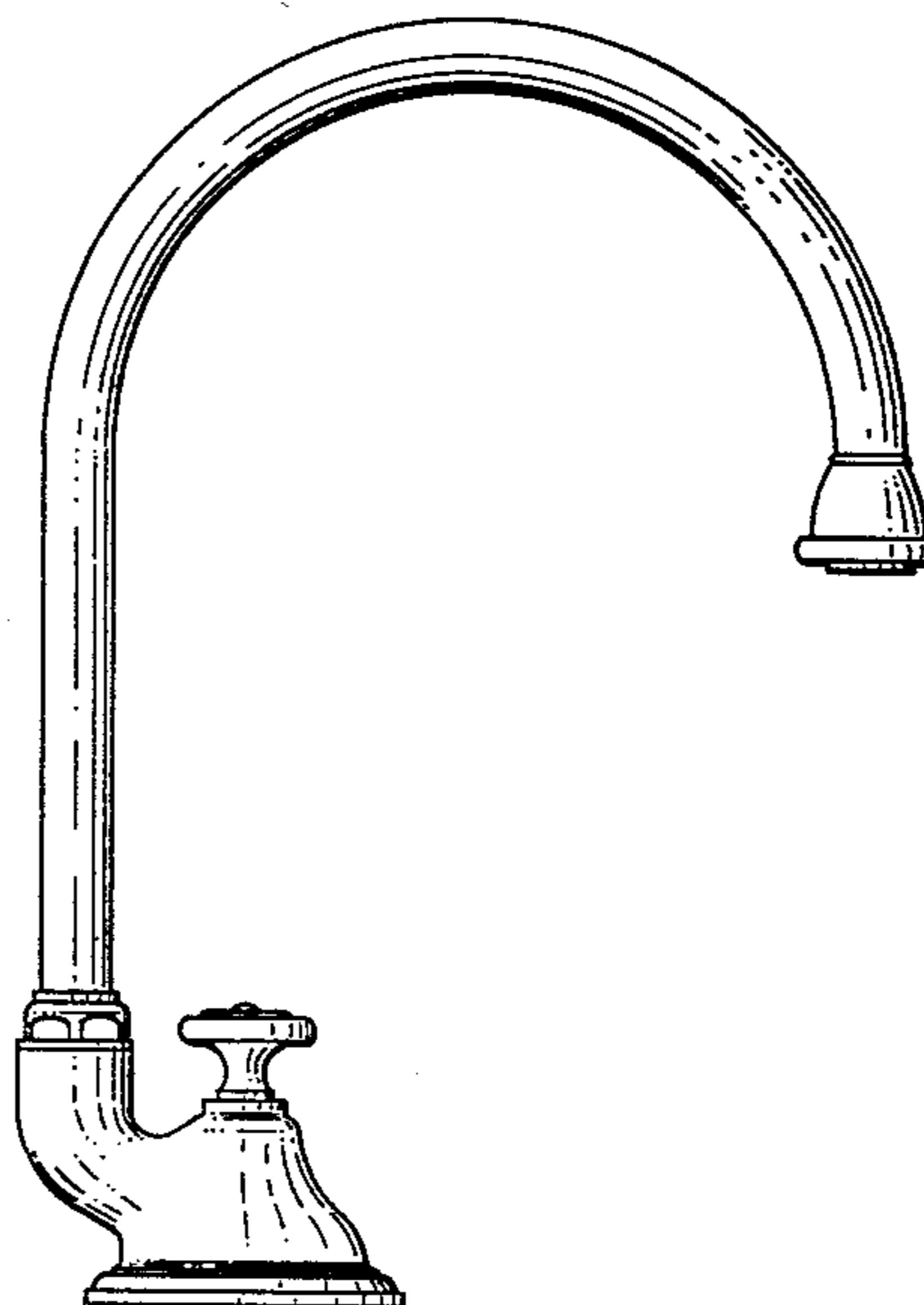
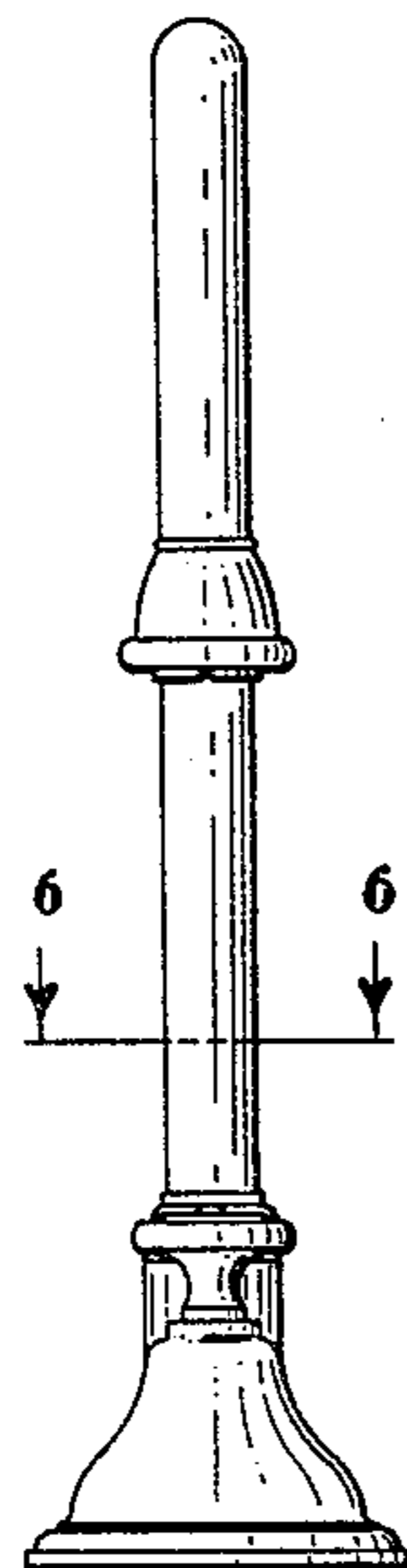


Fig. 2

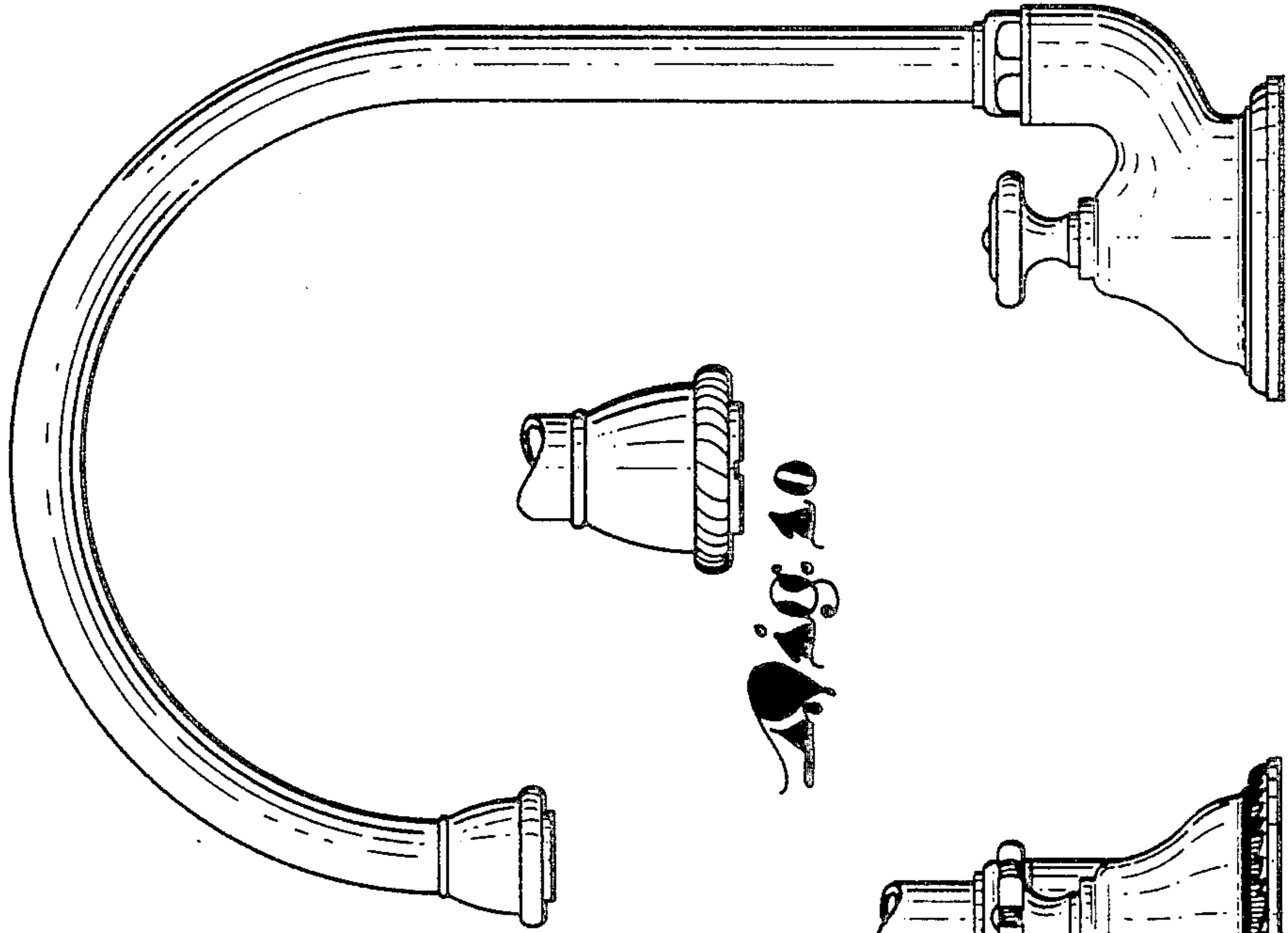


Fig. 40

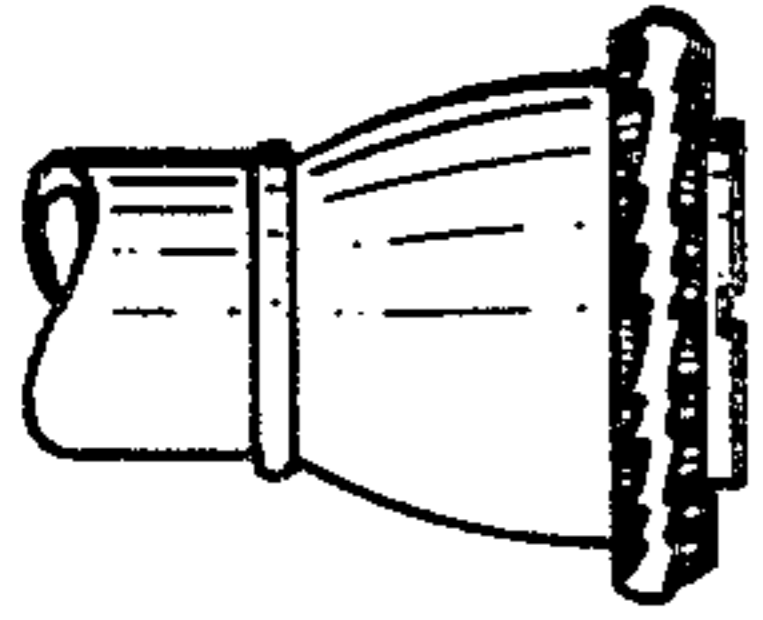
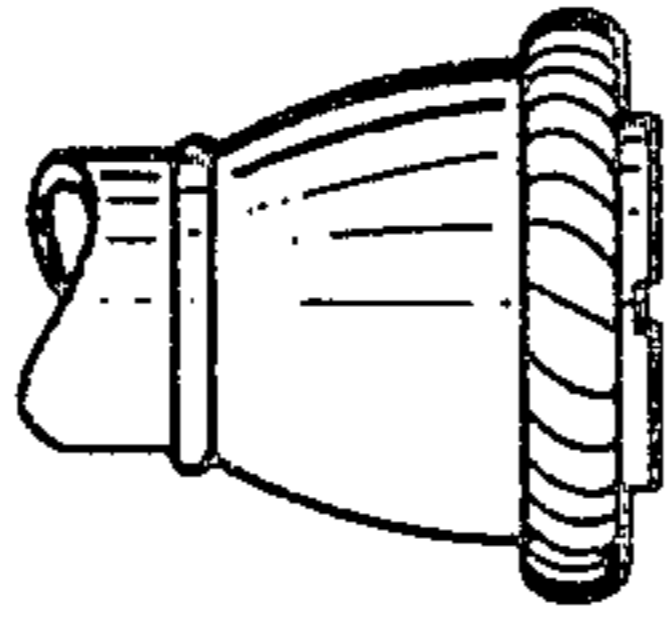


Fig. 43

Fig. 4A

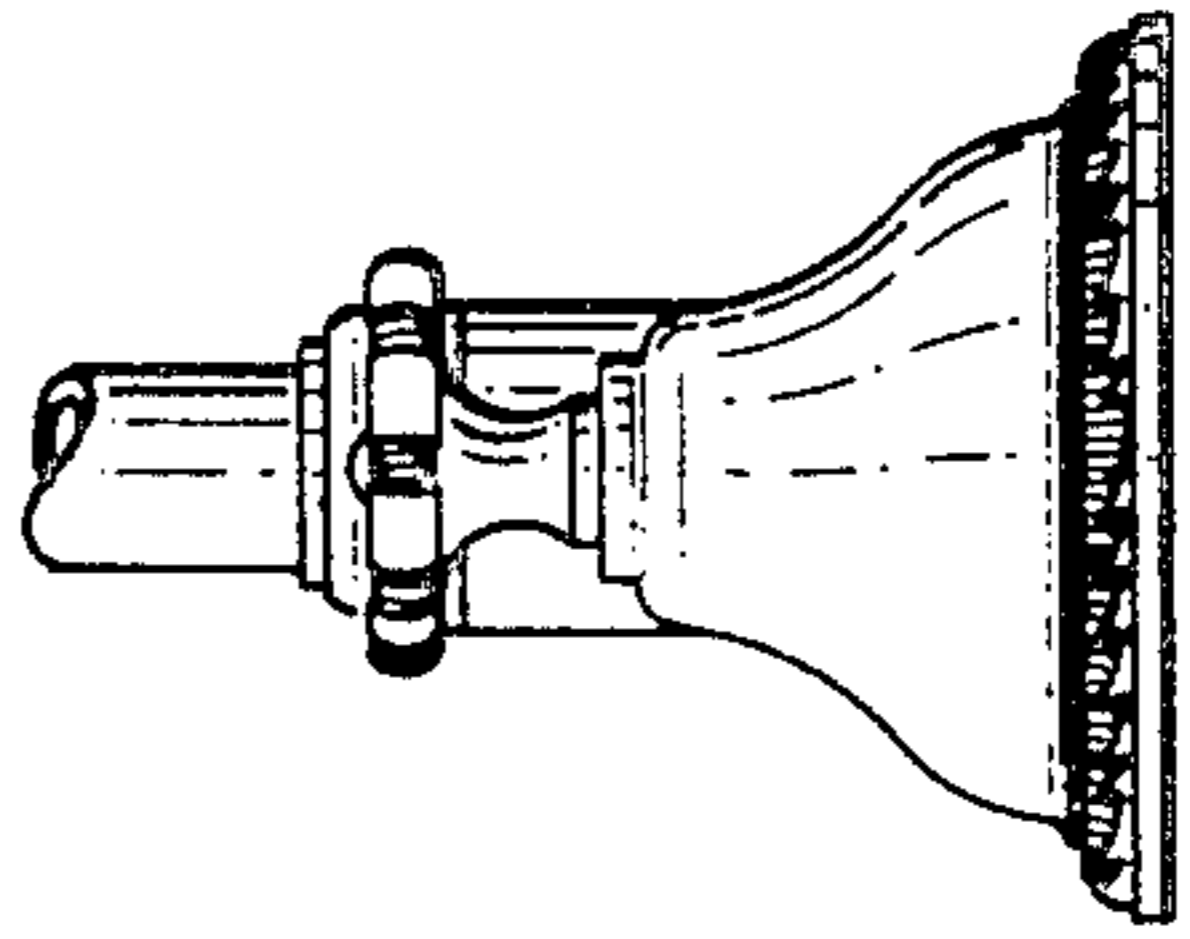


Fig. 8

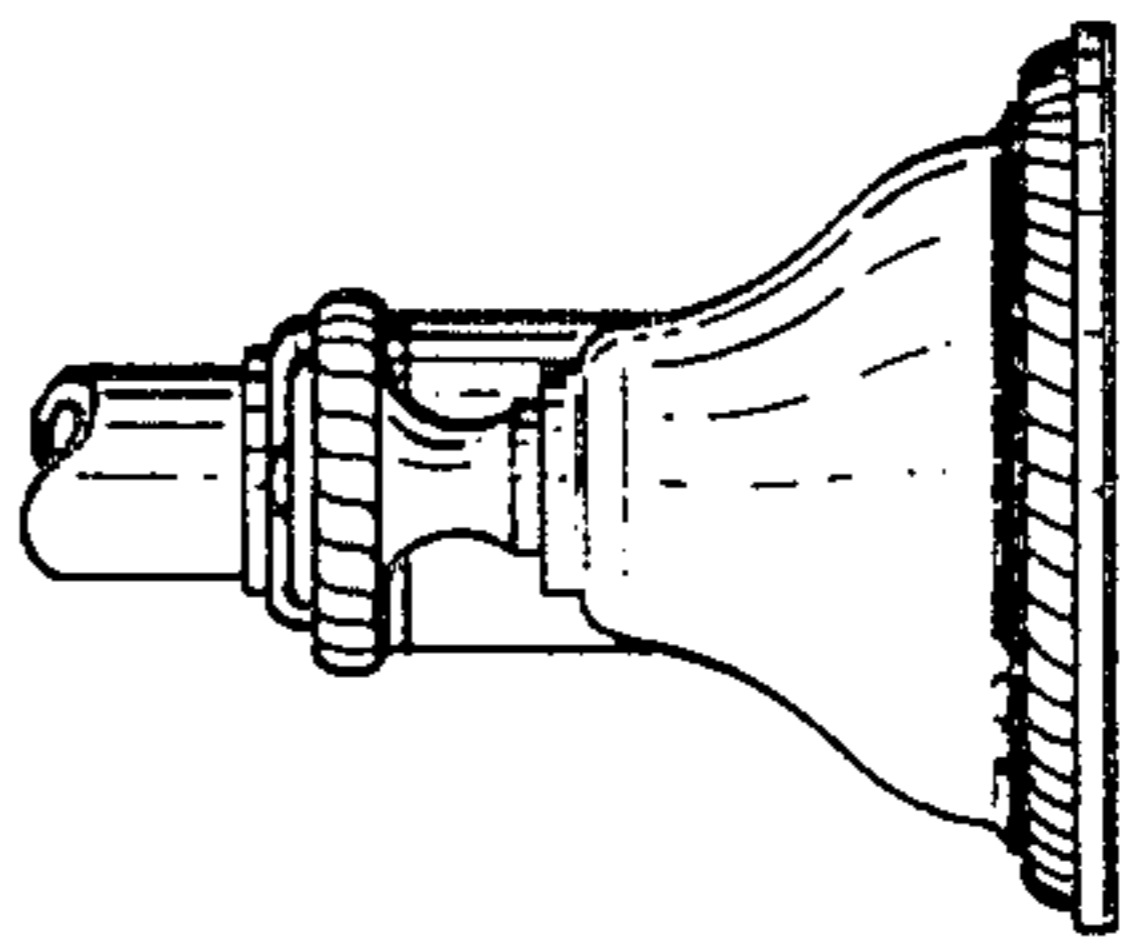
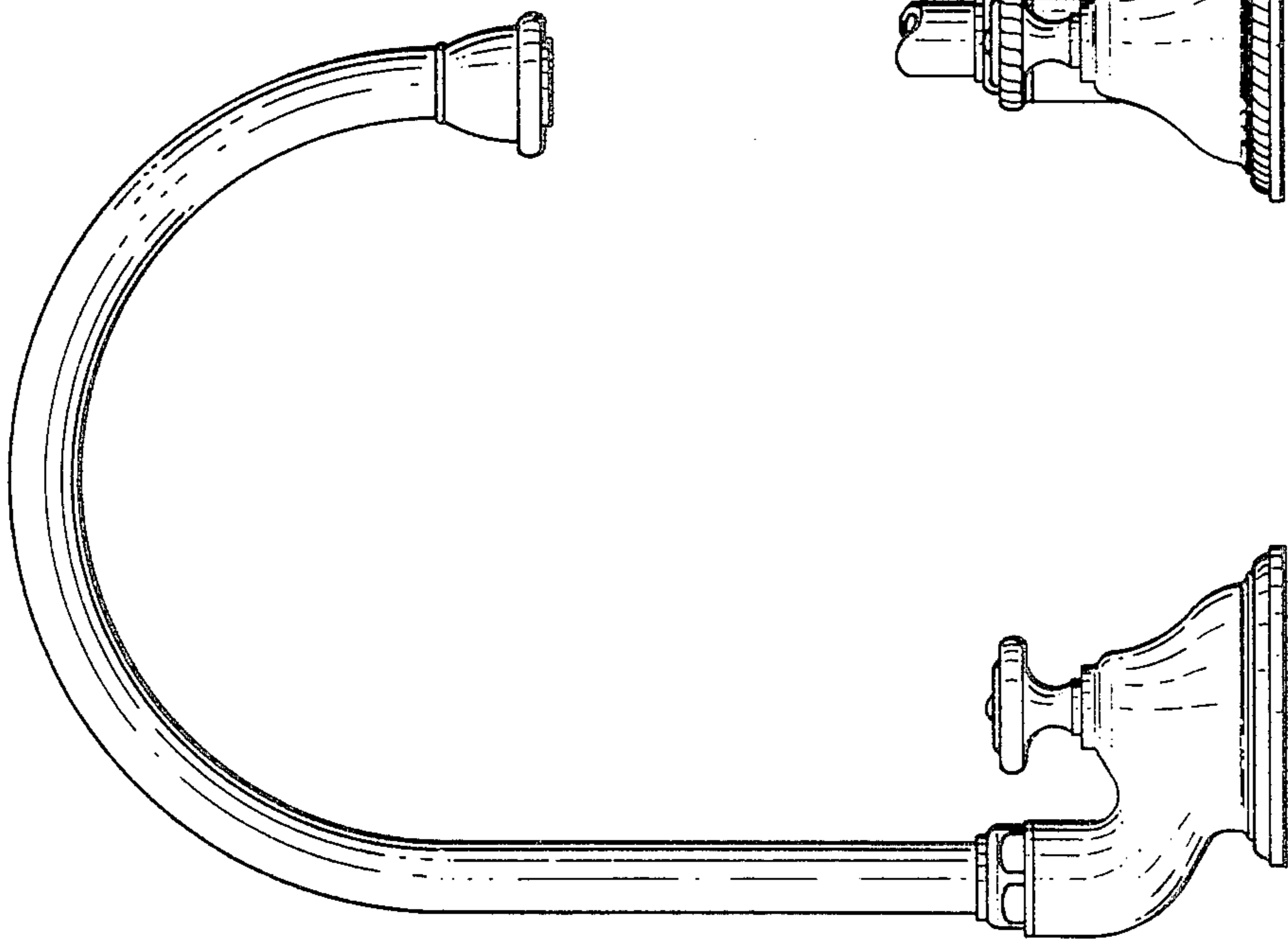


Fig. 1



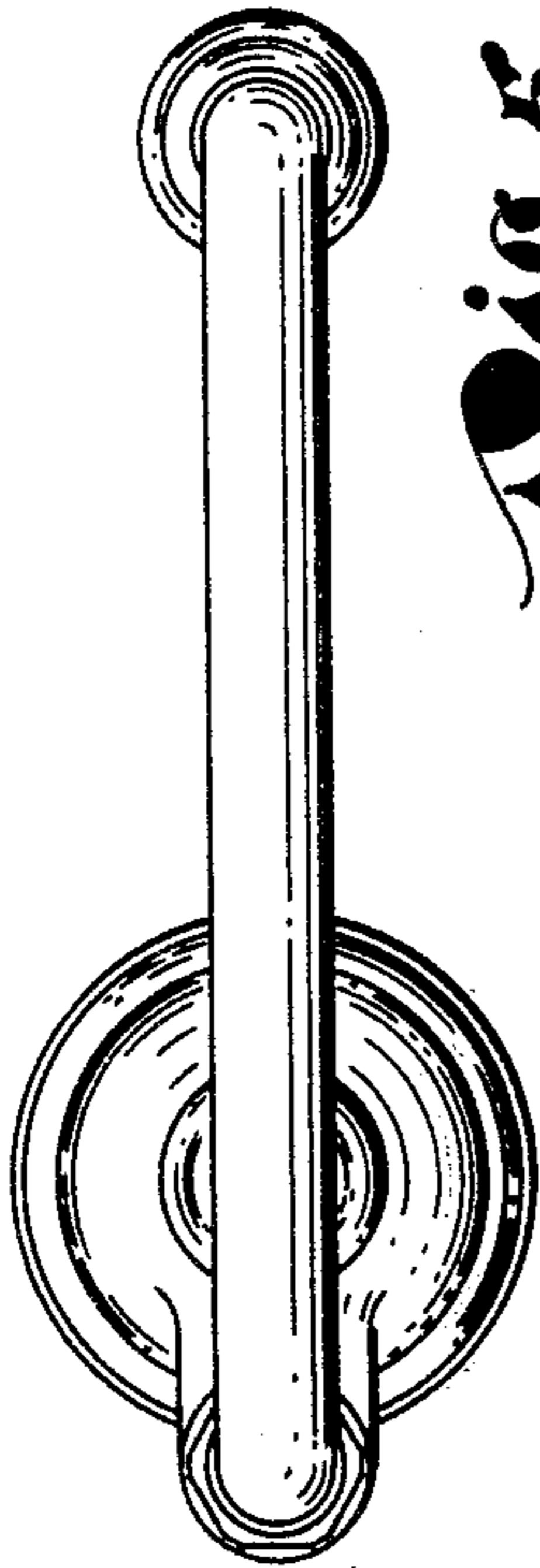


Fig. 5

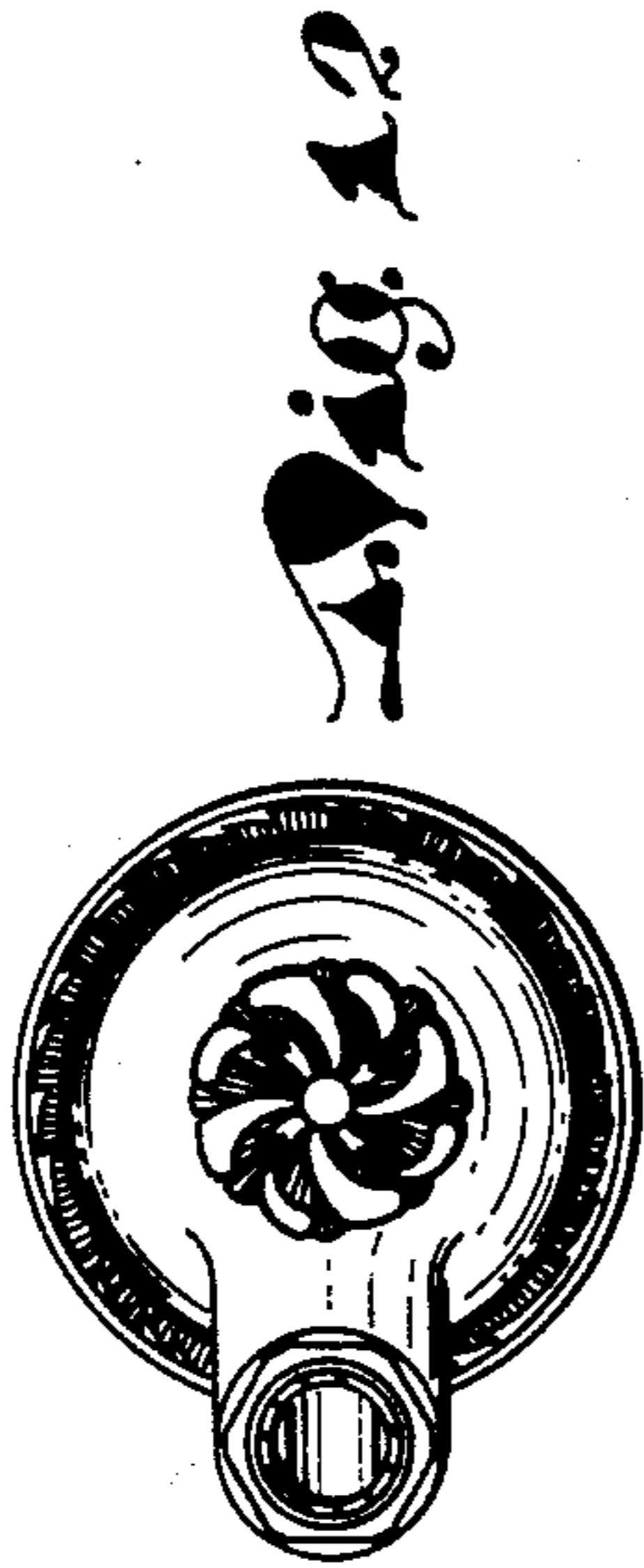


Fig. 12

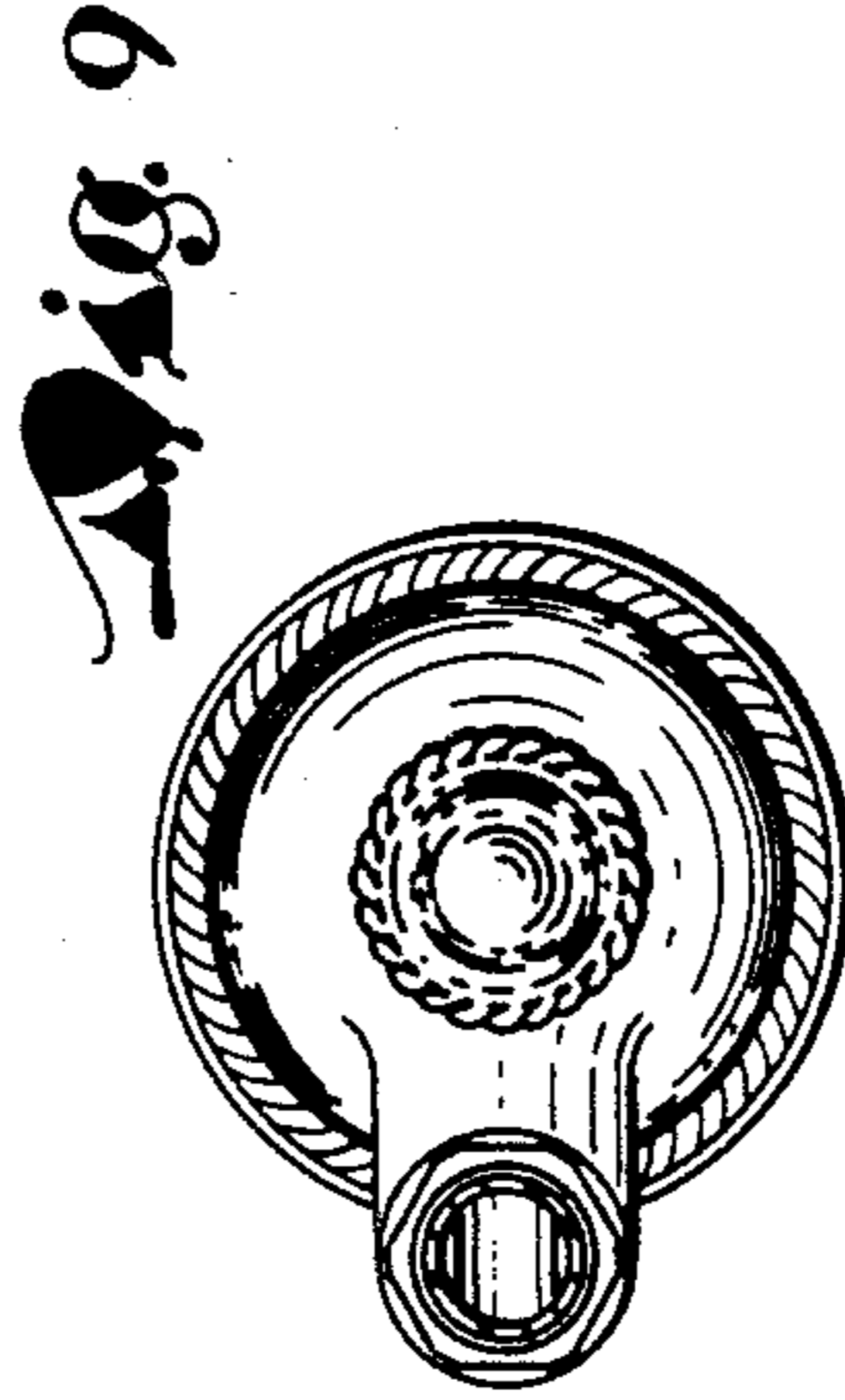


Fig. 9

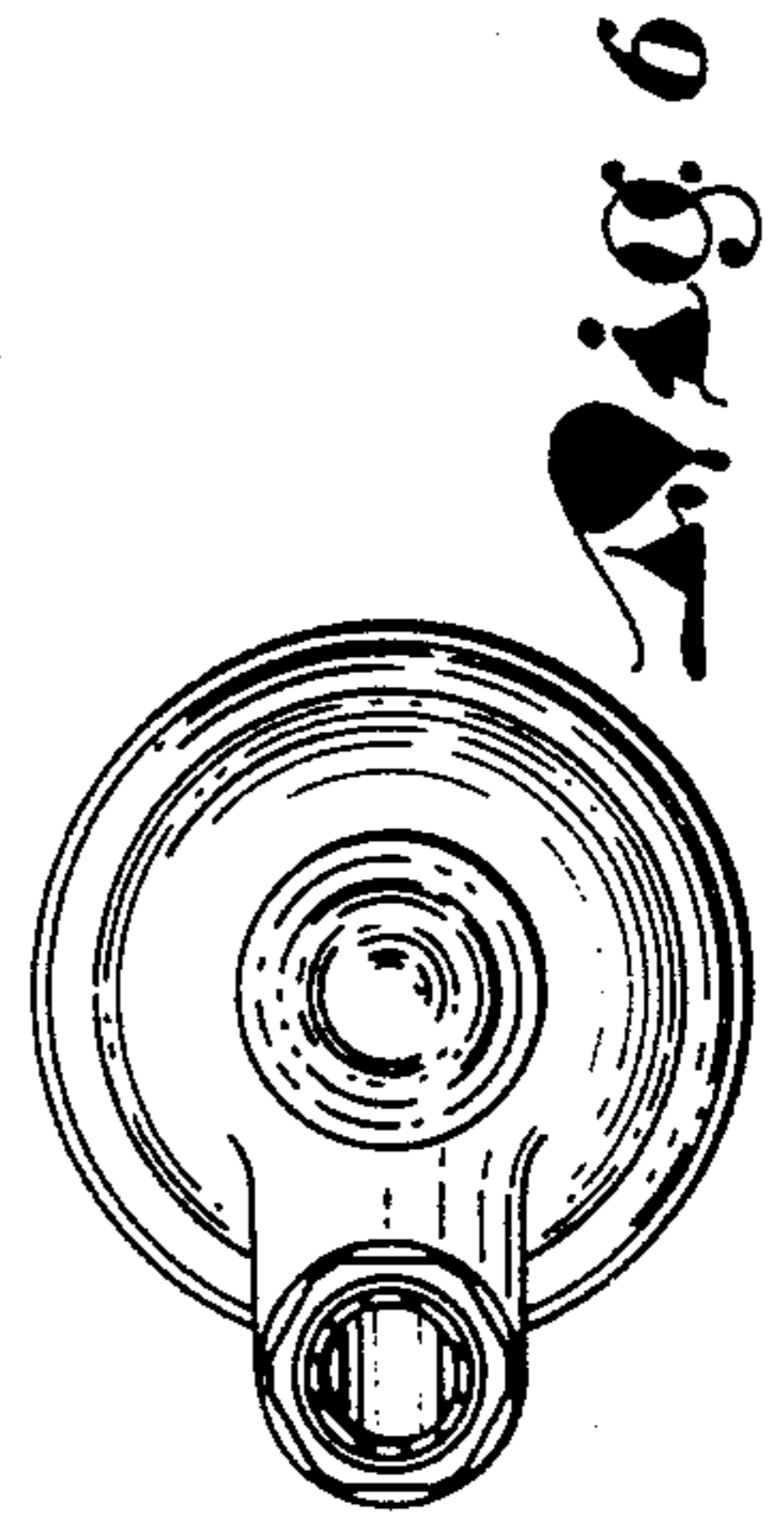


Fig. 6

Fig. 7

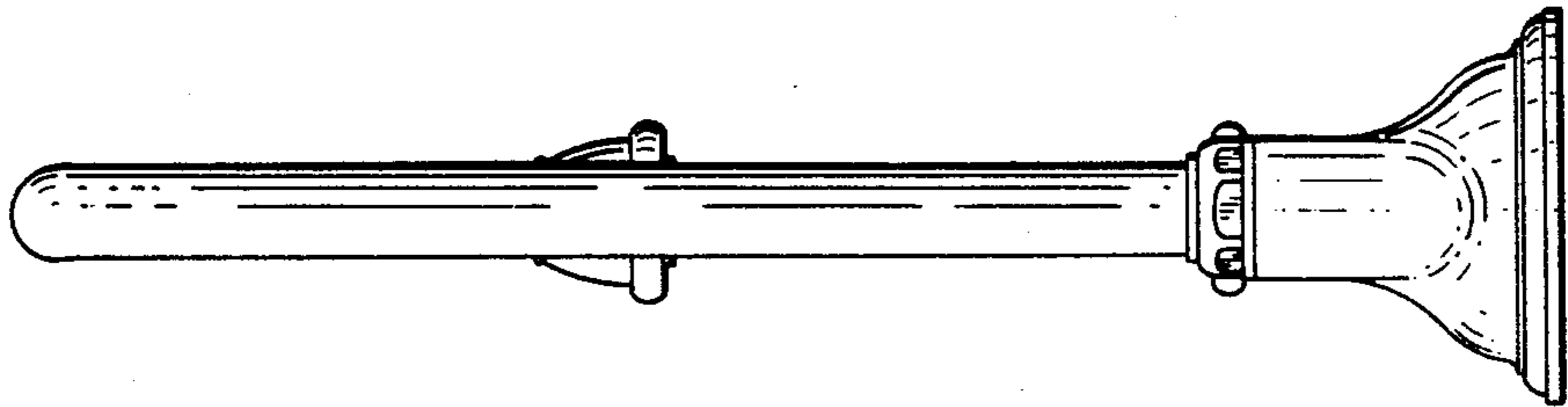
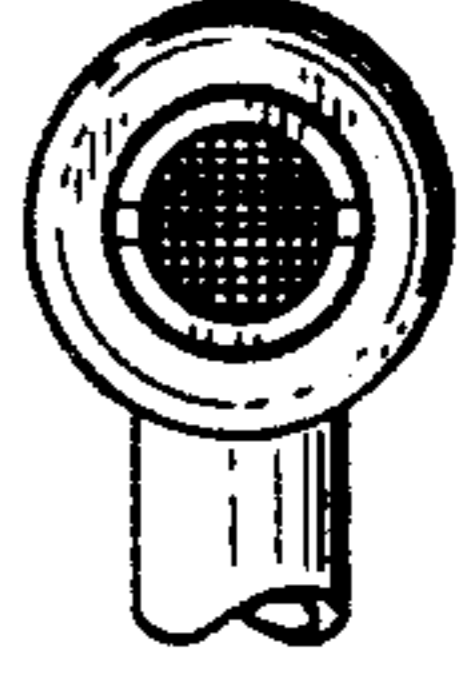


Fig. 4

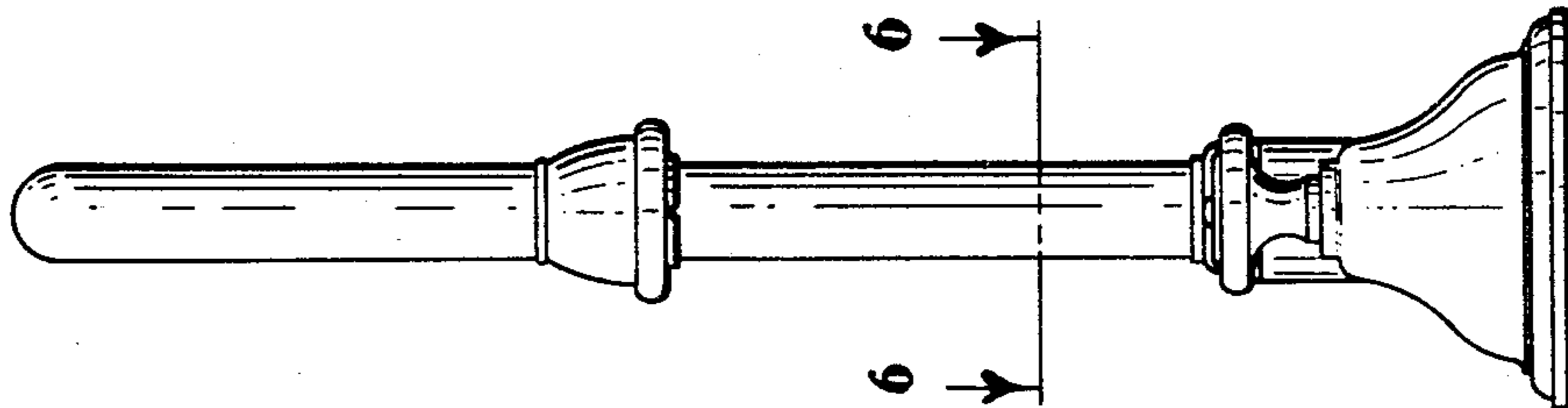


Fig. 3