

[54] GRIP PLATE FOR A GUN

[75] Inventor: Raymond J. Dheur, Cheratte, Belgium

[73] Assignee: Fabrique Nationale Herstal S.A., Belgium

[\*\*] Term: 14 Years

[21] Appl. No.: 349,701

[22] Filed: Feb. 18, 1982

[52] U.S. Cl. .... D22/7; D22/1

[58] Field of Search ..... 42/71 P; D22/1, 7

[56] References Cited

U.S. PATENT DOCUMENTS

- D. 227,884 7/1973 Howlett ..... D22/1
- 3,016,646 1/1962 Smith ..... 42/71 P X

OTHER PUBLICATIONS

Gun Collector's Digest Edited by J. J. Schroeder, Jr., c. 1974, p. 174, FIG. 4, Walther Model 6.

Primary Examiner—A. Hugo Word  
Attorney, Agent, or Firm—Bacon & Thomas

[57] CLAIM

The ornamental design for a grip plate for a gun, as shown.

DESCRIPTION

FIG. 1 is a side elevational view of a grip plate for a gun showing my new design, the gun being shown in broken lines for illustrative purposes only and forming no part of the claimed design;

FIG. 2 is another side view thereof;

FIG. 3 is an end elevational view thereof; and,

FIG. 4 is a top plan view thereof.

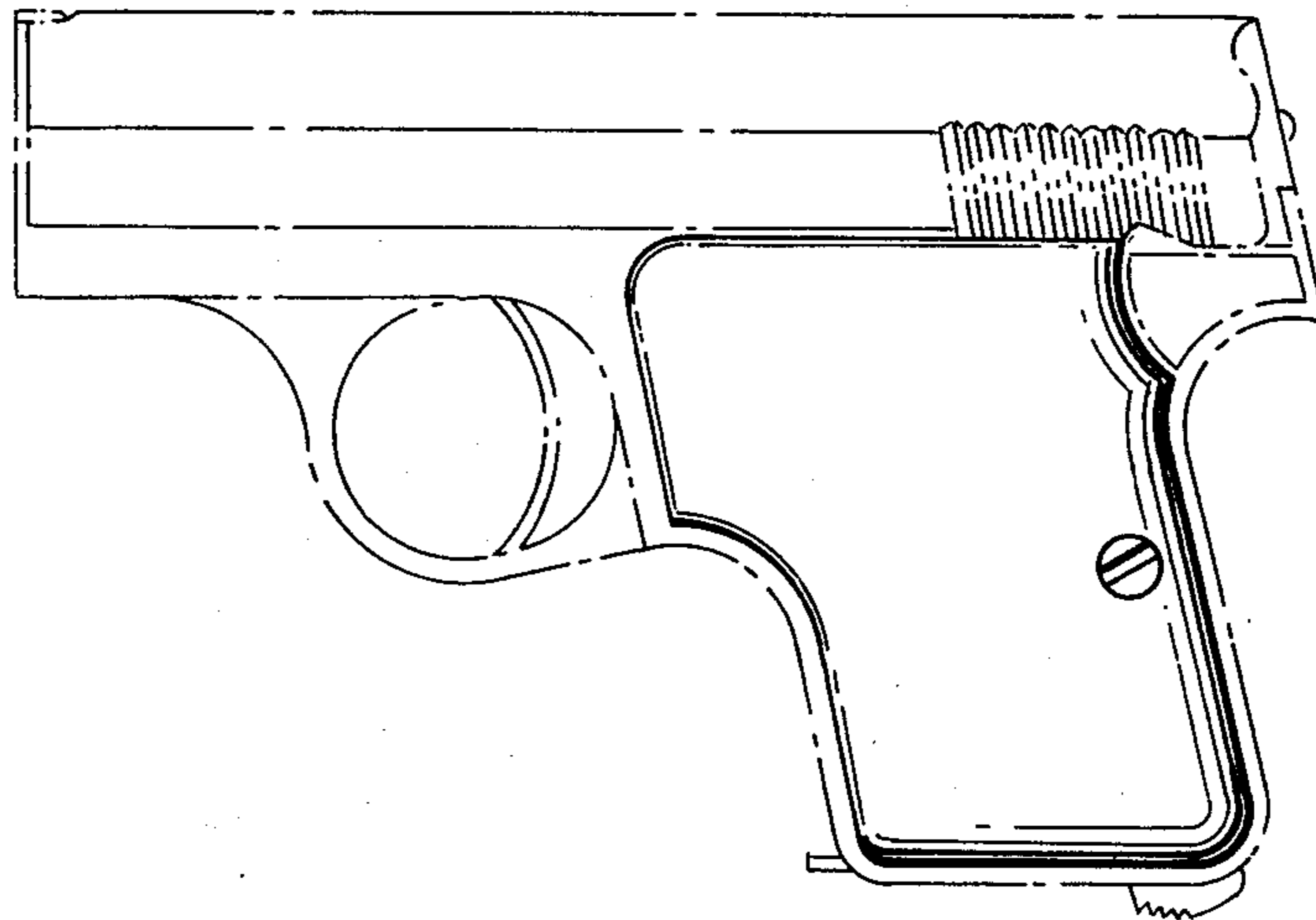


FIG 1

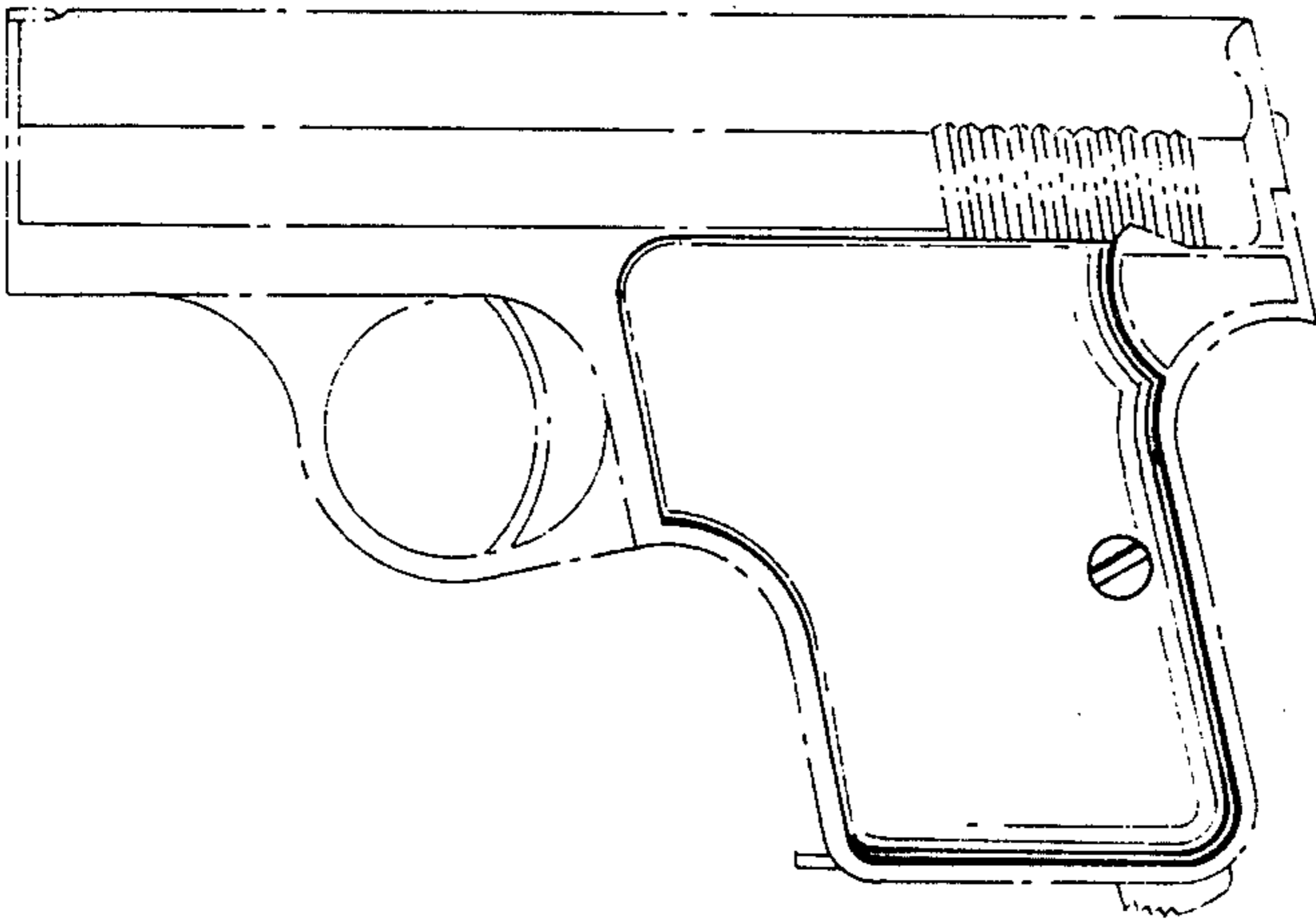


FIG 3



FIG 2

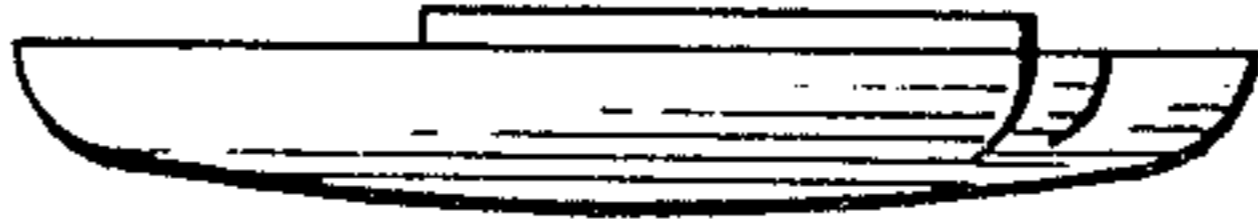
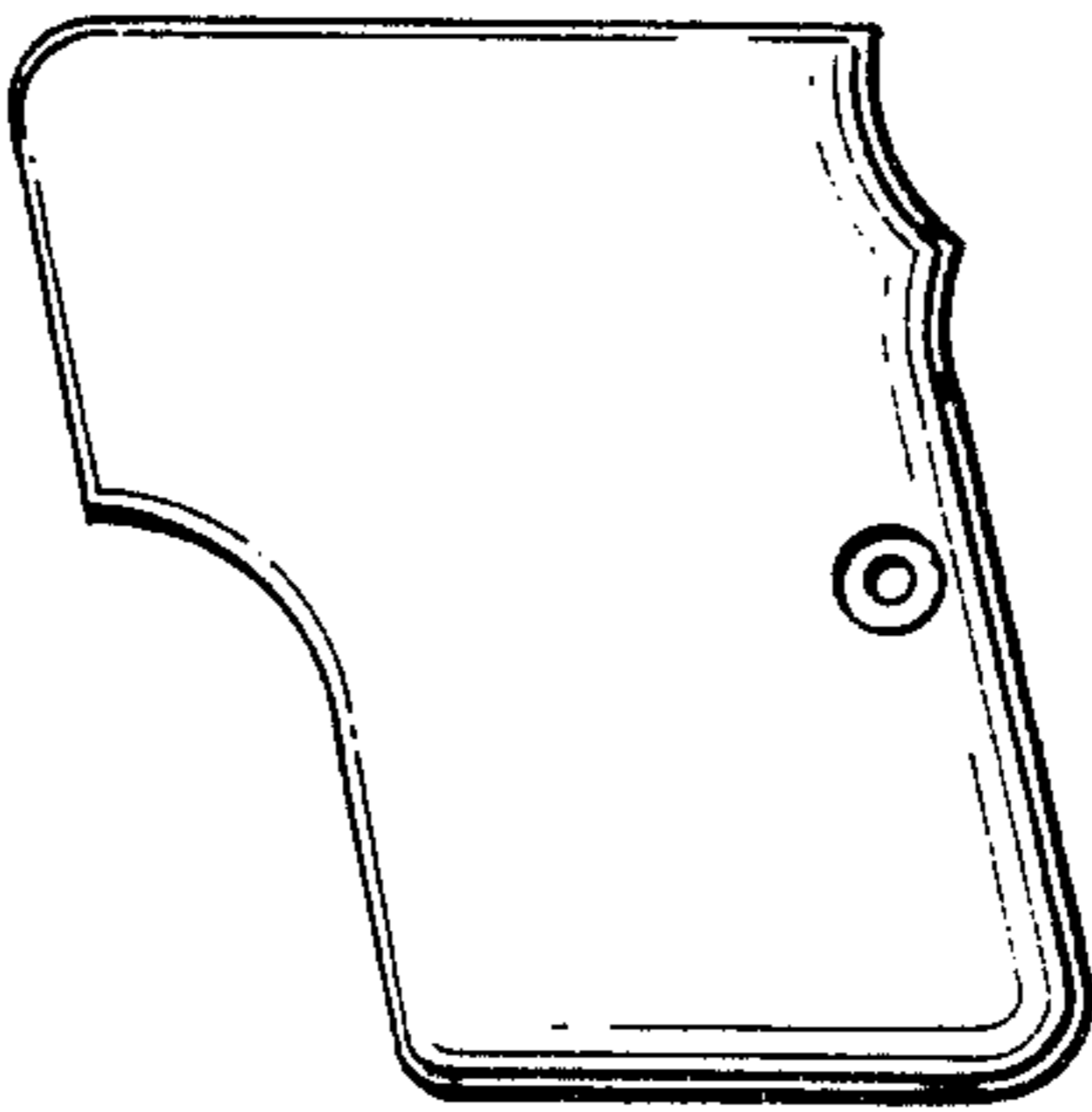


FIG 4