

[54] BUOYANT BELT

[76] Inventor: Robert S. Jones, 8456 Rodney Dr., Indianapolis, Ind. 46234

[**] Term: 14 Years

[21] Appl. No.: 531,953

[22] Filed: Sep. 14, 1983

[52] U.S. Cl. D21/238; D21/237

[58] Field of Search D21/237, 238; 441/96, 441/90, 94, 102, 108, 113

[56] References Cited

U.S. PATENT DOCUMENTS

D. 179,326	11/1956	Stansell	D21/238
2,950,489	8/1960	Pattison	D21/238
3,094,725	6/1963	Martin, Jr.	441/113

3,141,180 7/1964 Pursley et al. 441/102

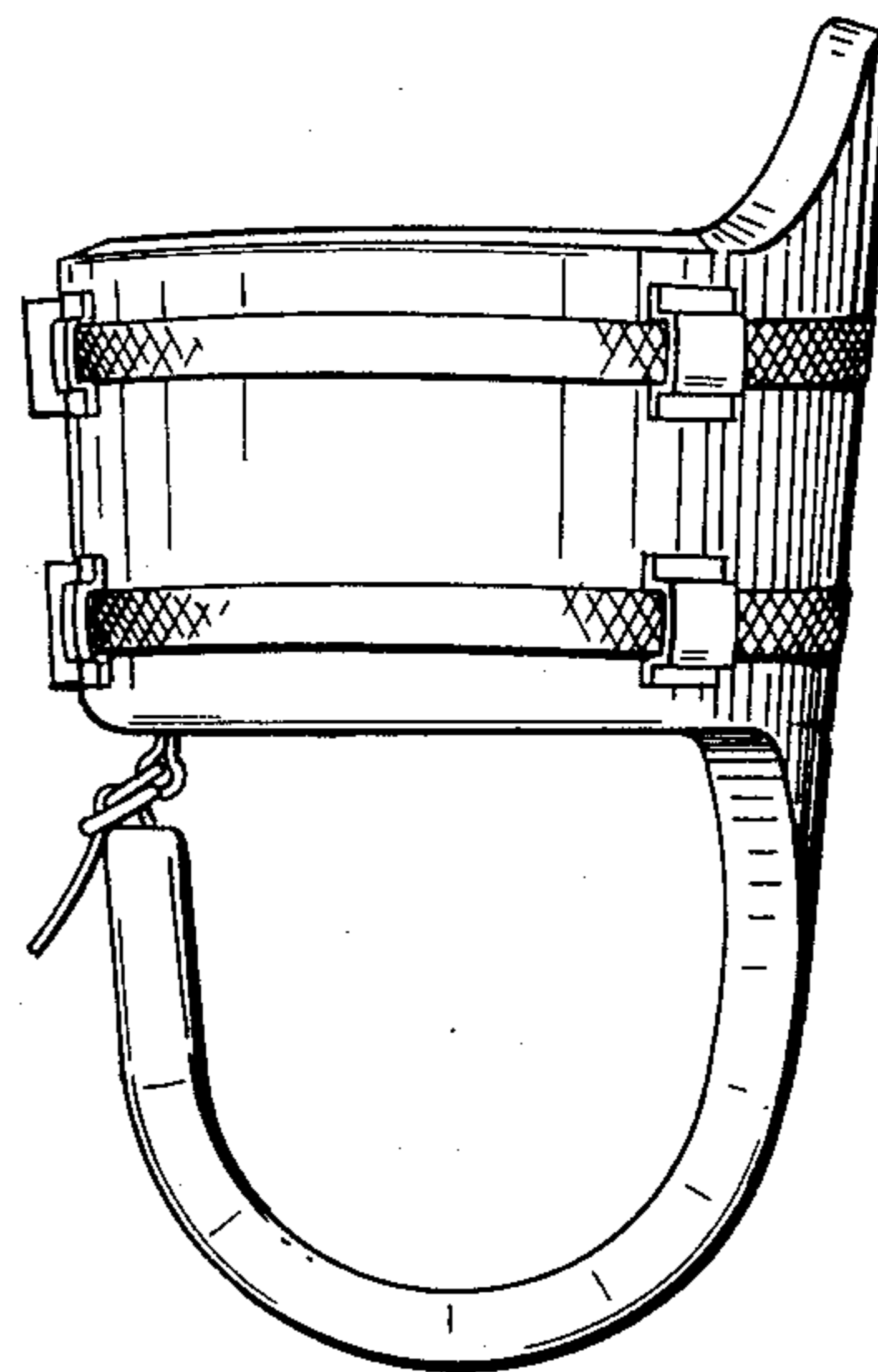
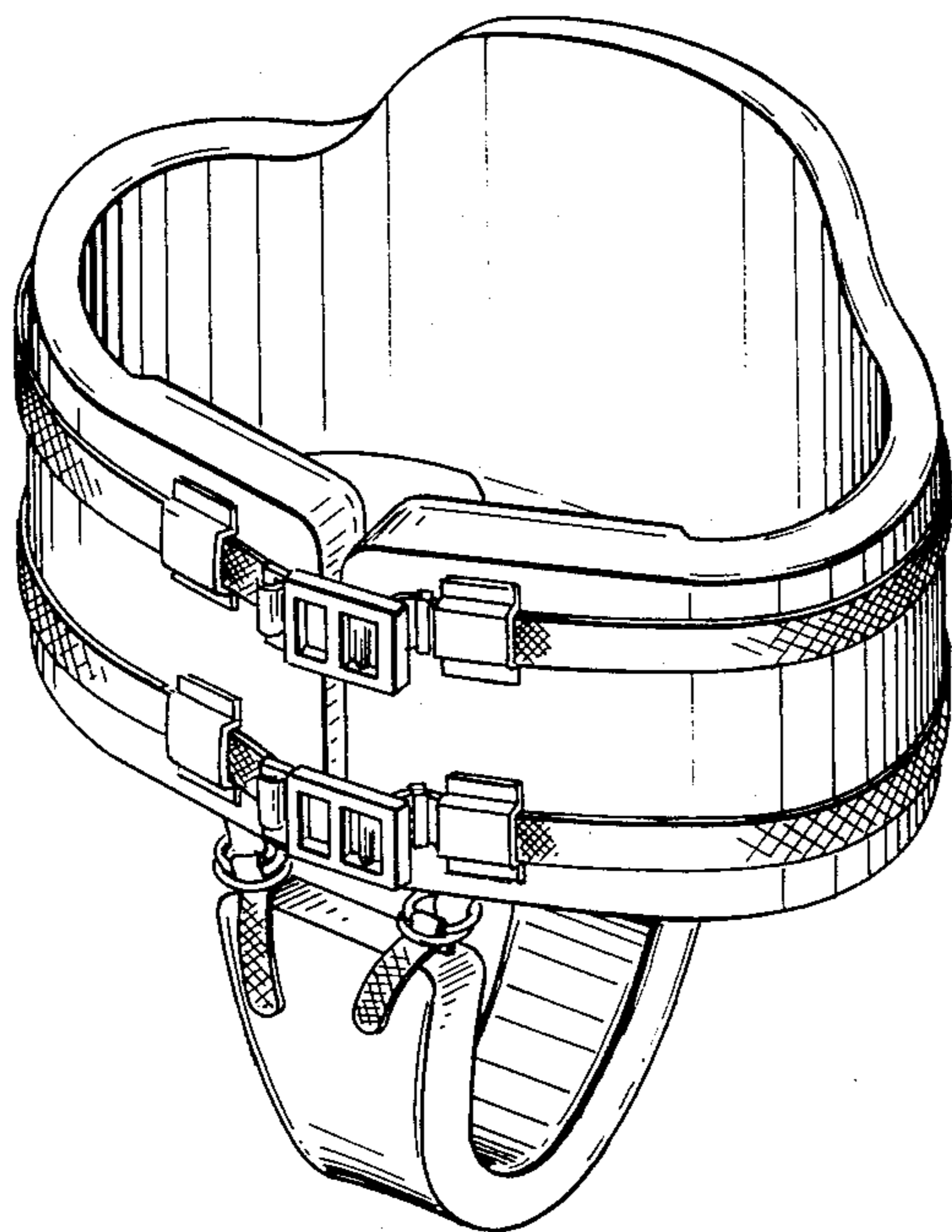
Primary Examiner—James M. Gandy
Assistant Examiner—Kay H. Chin
Attorney, Agent, or Firm—Barnes & Thornburg

[57] CLAIM

The ornamental design for a buoyant belt, as shown.

DESCRIPTION

FIG. 1 is a perspective view of the top, front, and right side of a buoyant belt showing my new design; FIG. 2 is a front elevation view of my new design; FIG. 3 is a side elevation view taken from the right side of FIG. 2; FIG. 4 is a back elevation view; FIG. 5 is a top plan view of my design; FIG. 6 is a bottom plan view of my design; and FIG. 7 is a side elevation view of the left side of FIG. 2.



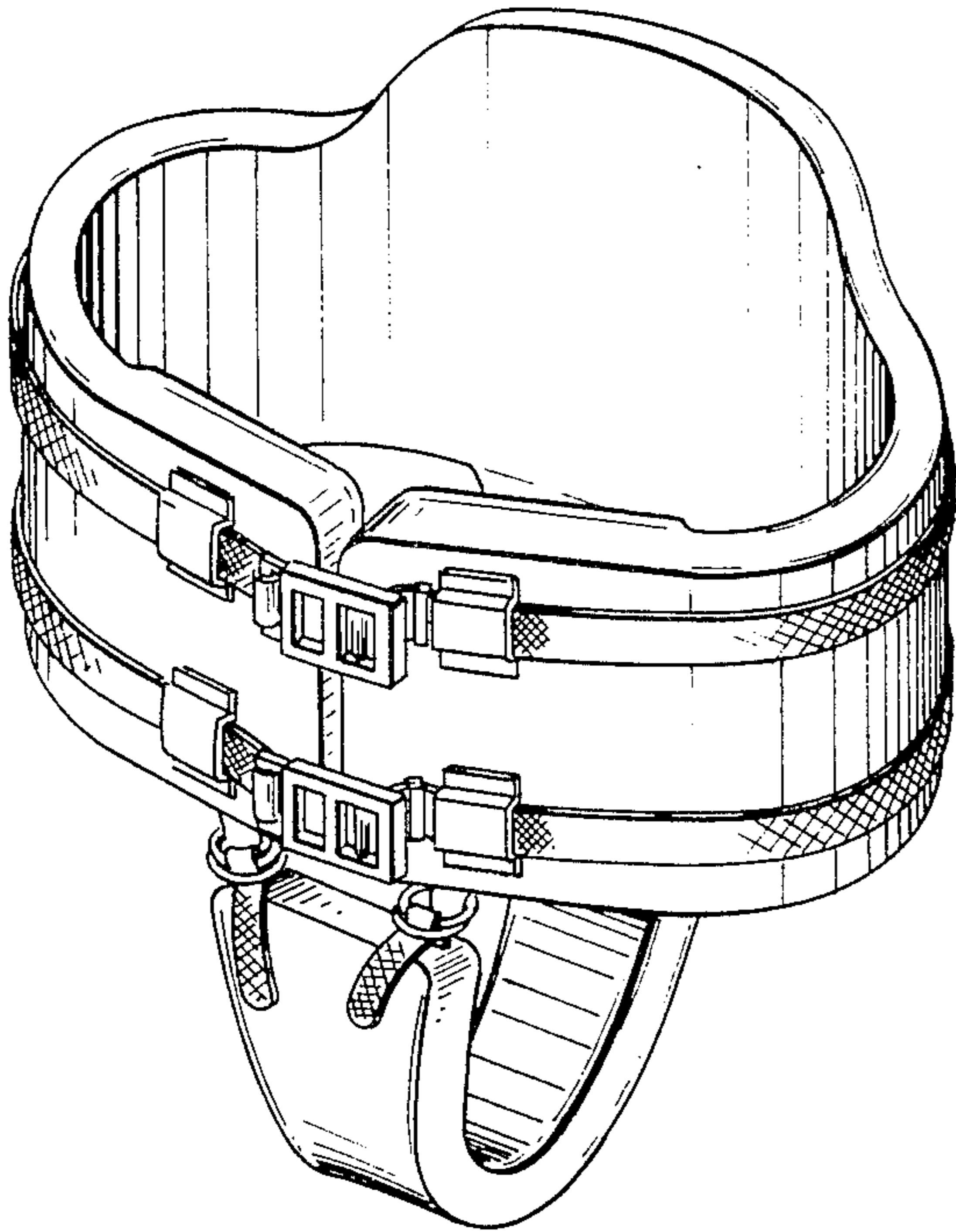


FIG. 1

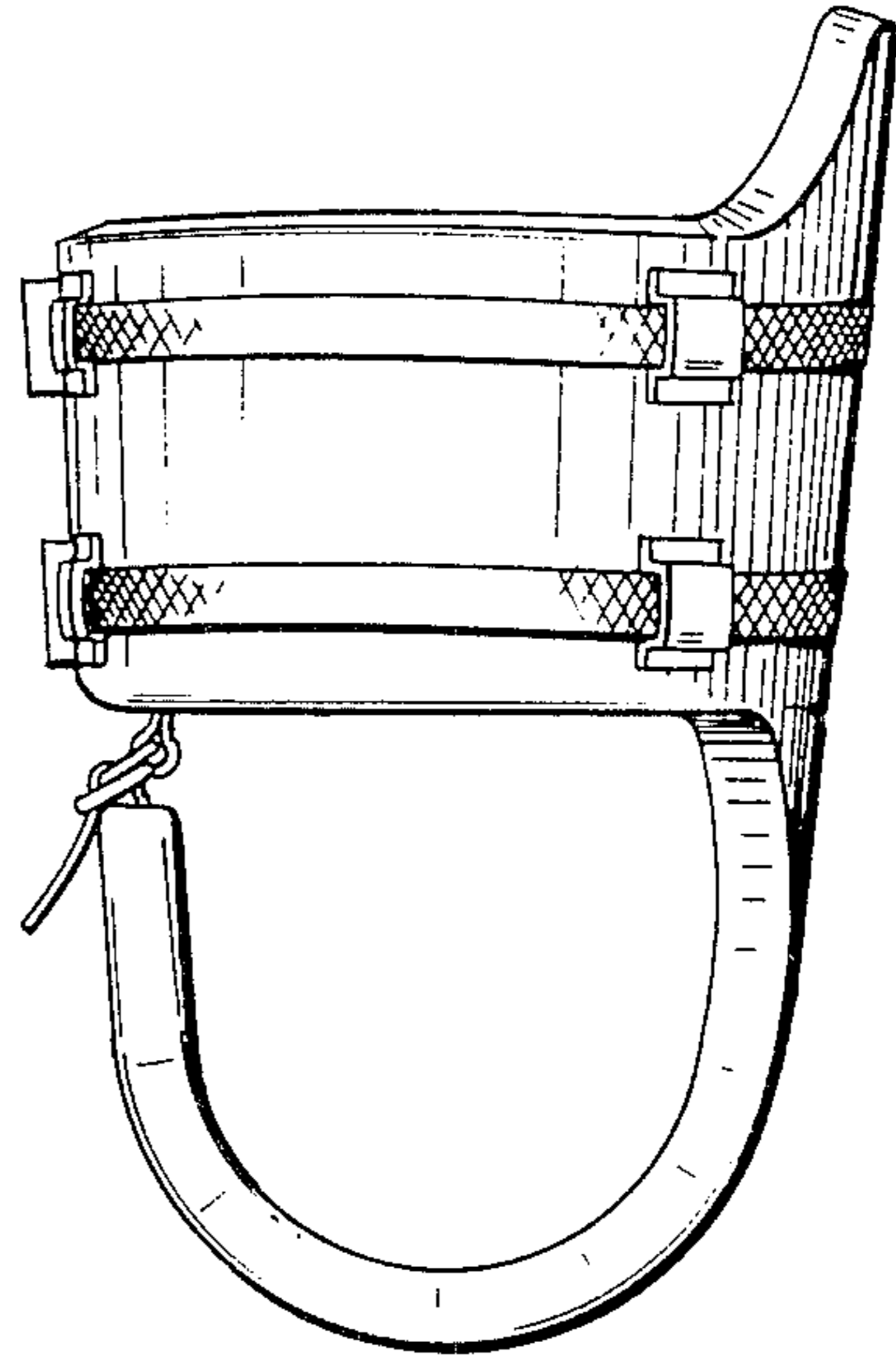


FIG. 3

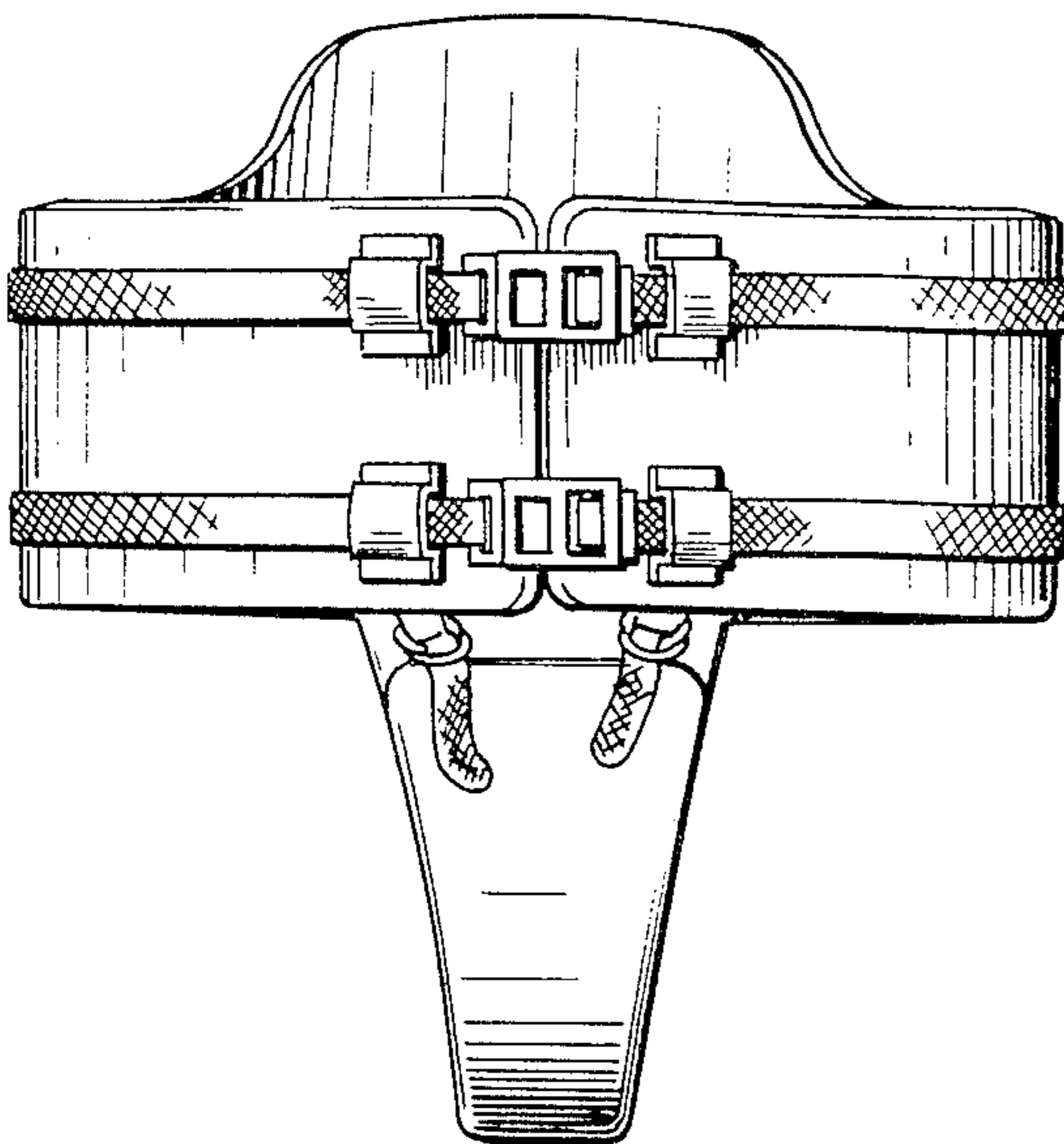


FIG. 2

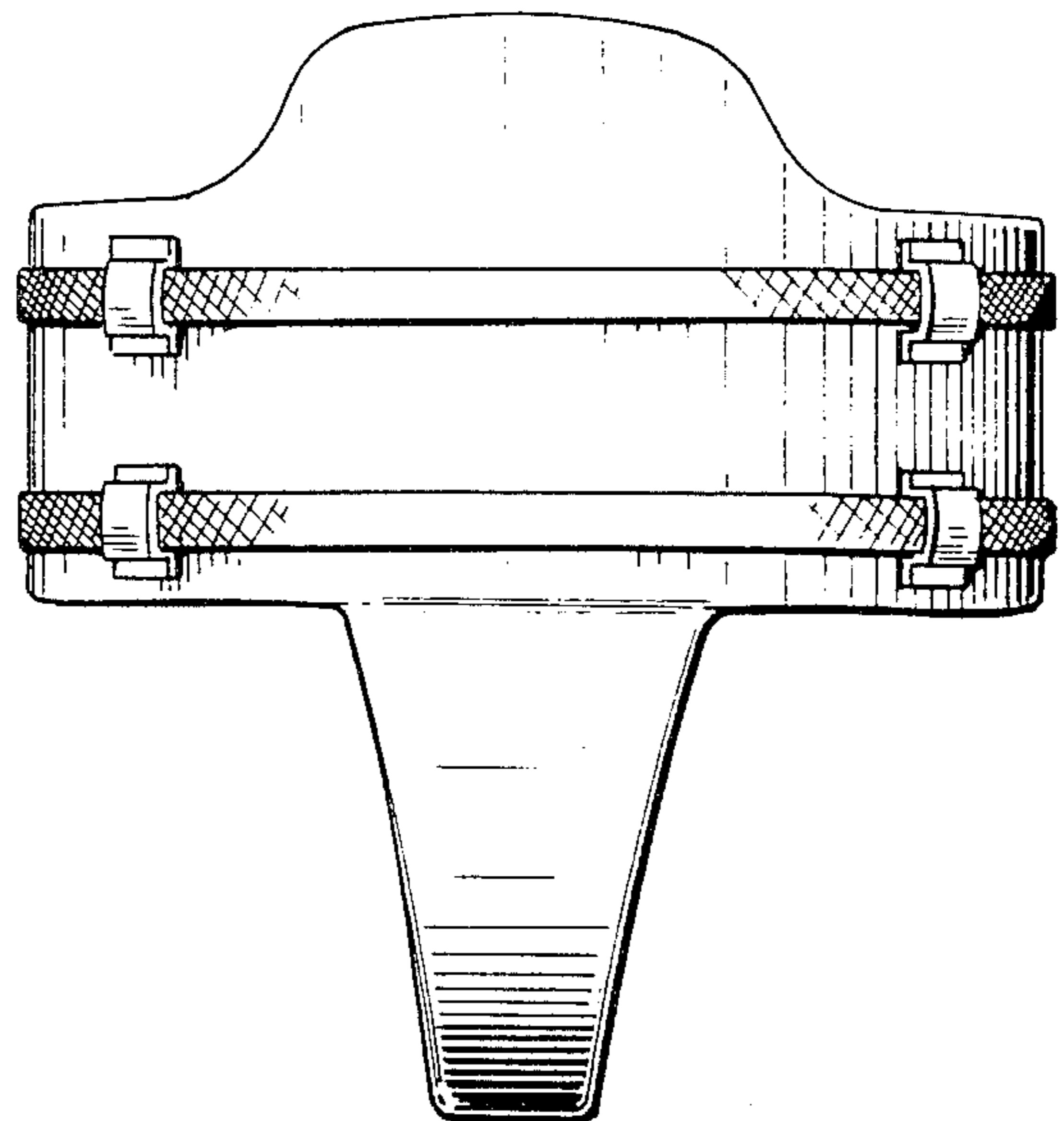


FIG. 4

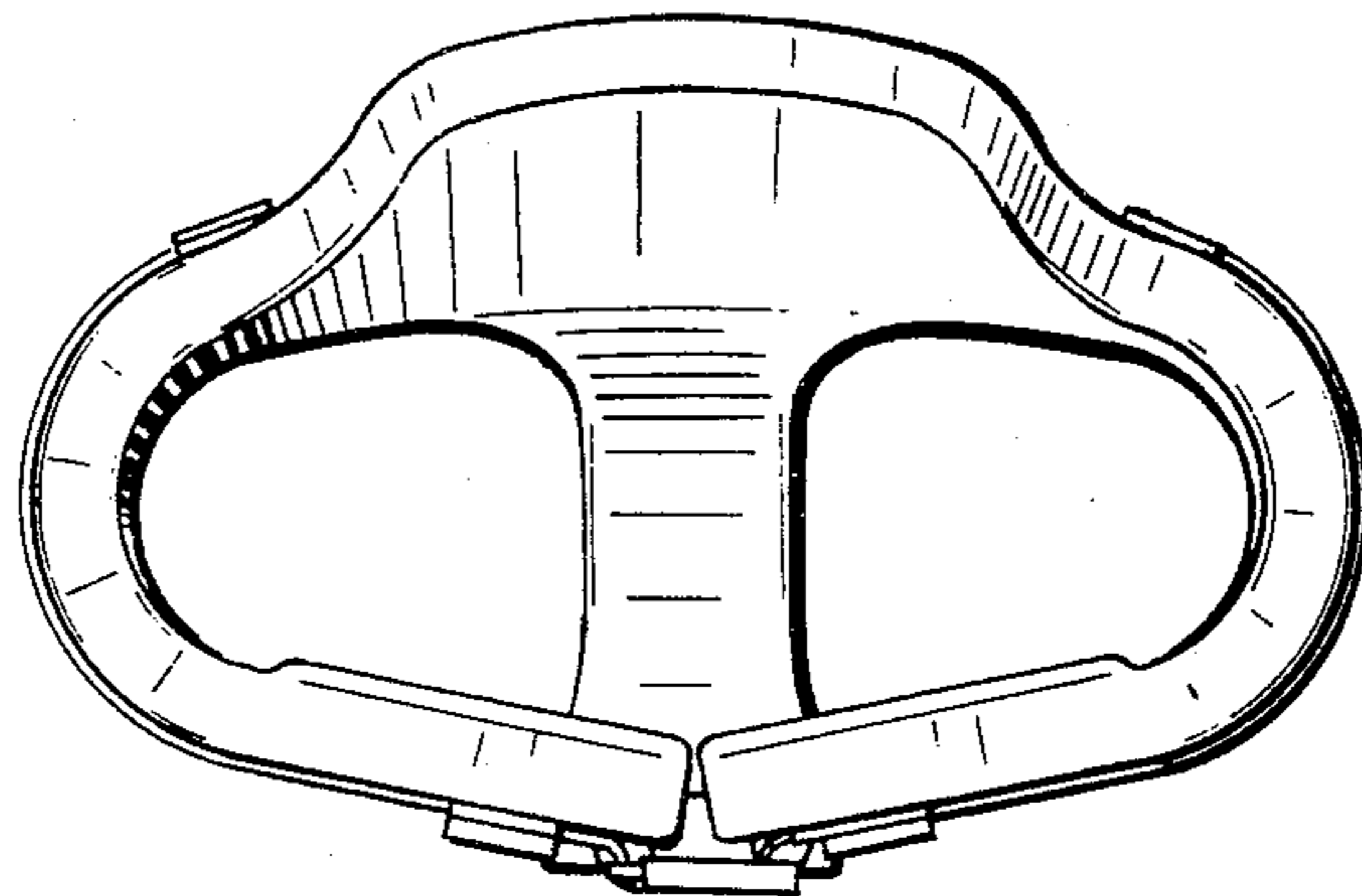


FIG. 5

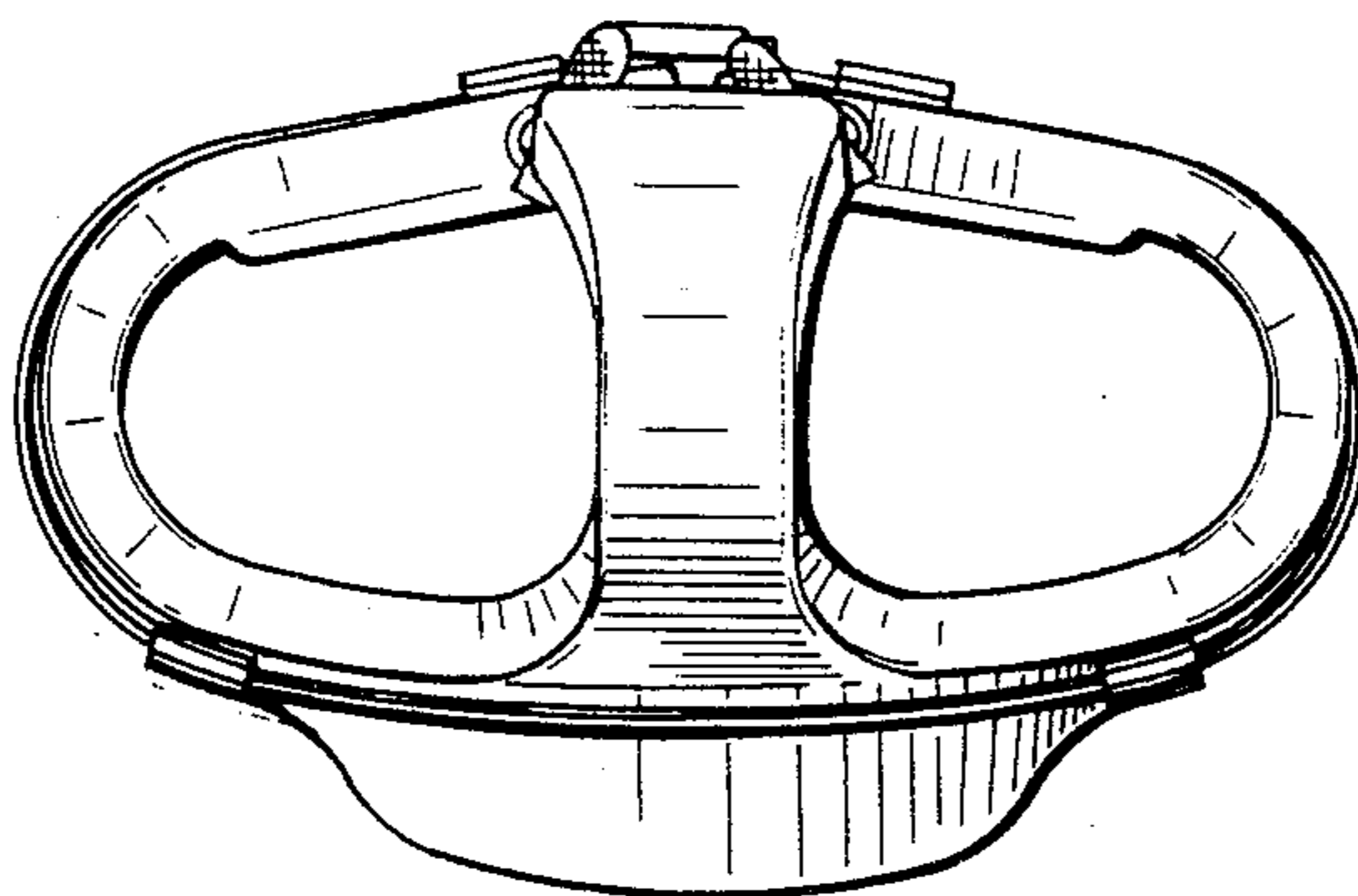


FIG. 6

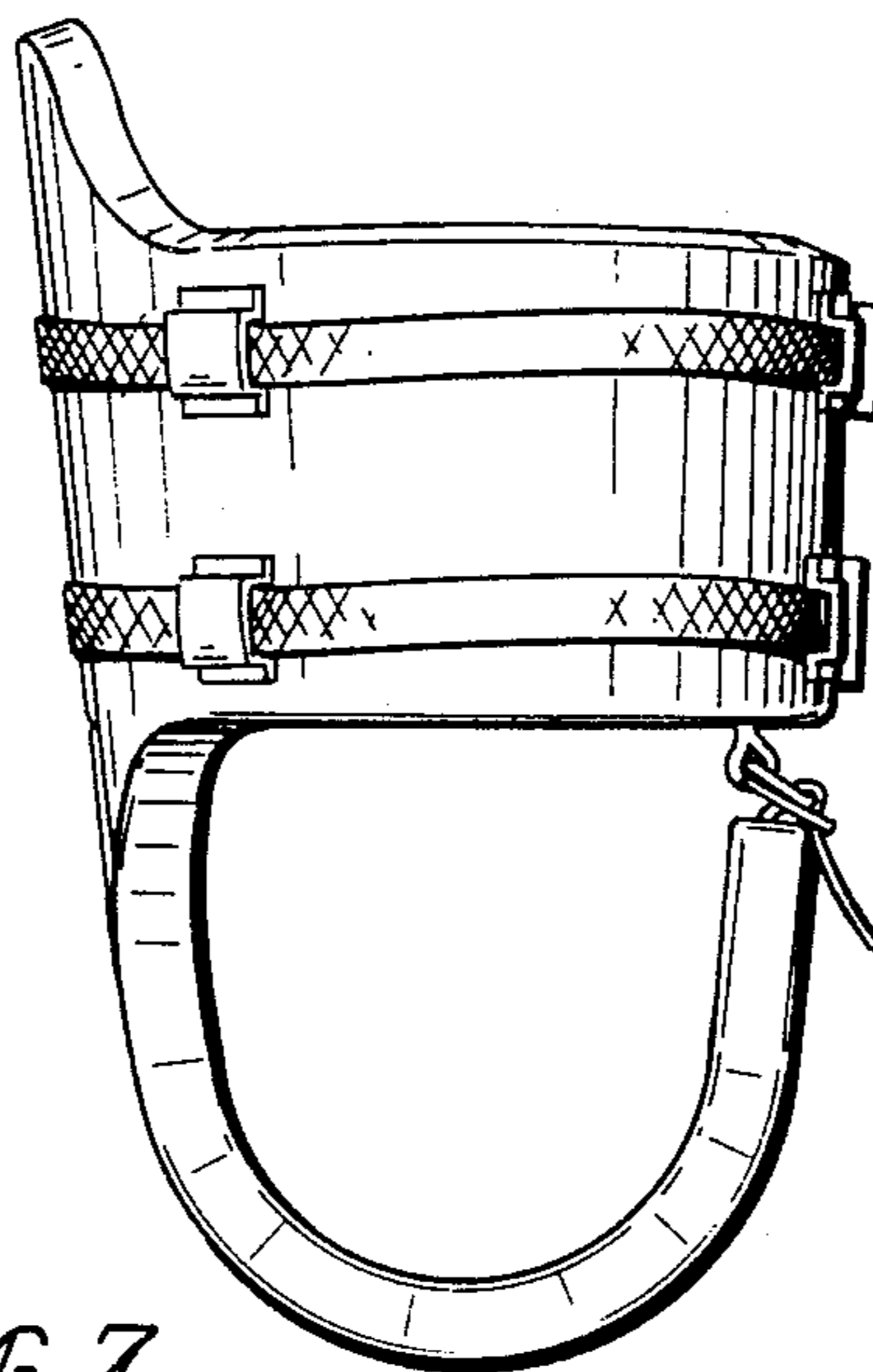


FIG. 7