

[54] **BICYCLE EXERCISER**

[75] Inventor: **Heikki Kiiski, Turku, Finland**

[73] Assignee: **Tunturipyörä Oy, Finland**

[**] Term: **14 Years**

[21] Appl. No.: **530,745**

[22] Filed: **Sep. 9, 1983**

[30] **Foreign Application Priority Data**

Mar. 17, 1983 [FI] Finland 260/83

[52] **U.S. Cl.** **D21/194**

[58] **Field of Search** **D21/194; 272/70.3, 73,**
272/132, DIG. 6; 73/379

[56] **References Cited**

U.S. PATENT DOCUMENTS

D. 193,437	8/1962	Maratta	D21/194
D. 224,329	7/1972	Hjelmquist	D21/194
D. 225,070	11/1972	Proctor	D21/194
D. 254,679	4/1980	Gustafsson	D21/194
D. 257,515	11/1980	Faux	D21/194

OTHER PUBLICATIONS

Quinton Instruments Flier, 1974, p. 17, Ergometer.
Marcy Catalog, p. 9, "Bodycycle 2500".
Sporting Goods Dealer, 1-1982, p. 206, Item, Train-
er-862.

Primary Examiner—Charles A. Rademaker
Attorney, Agent, or Firm—Burns, Doane, Swecker &
Mathis

[57] **CLAIM**

The ornamental design for a bicycle exerciser, as shown
and described.

DESCRIPTION

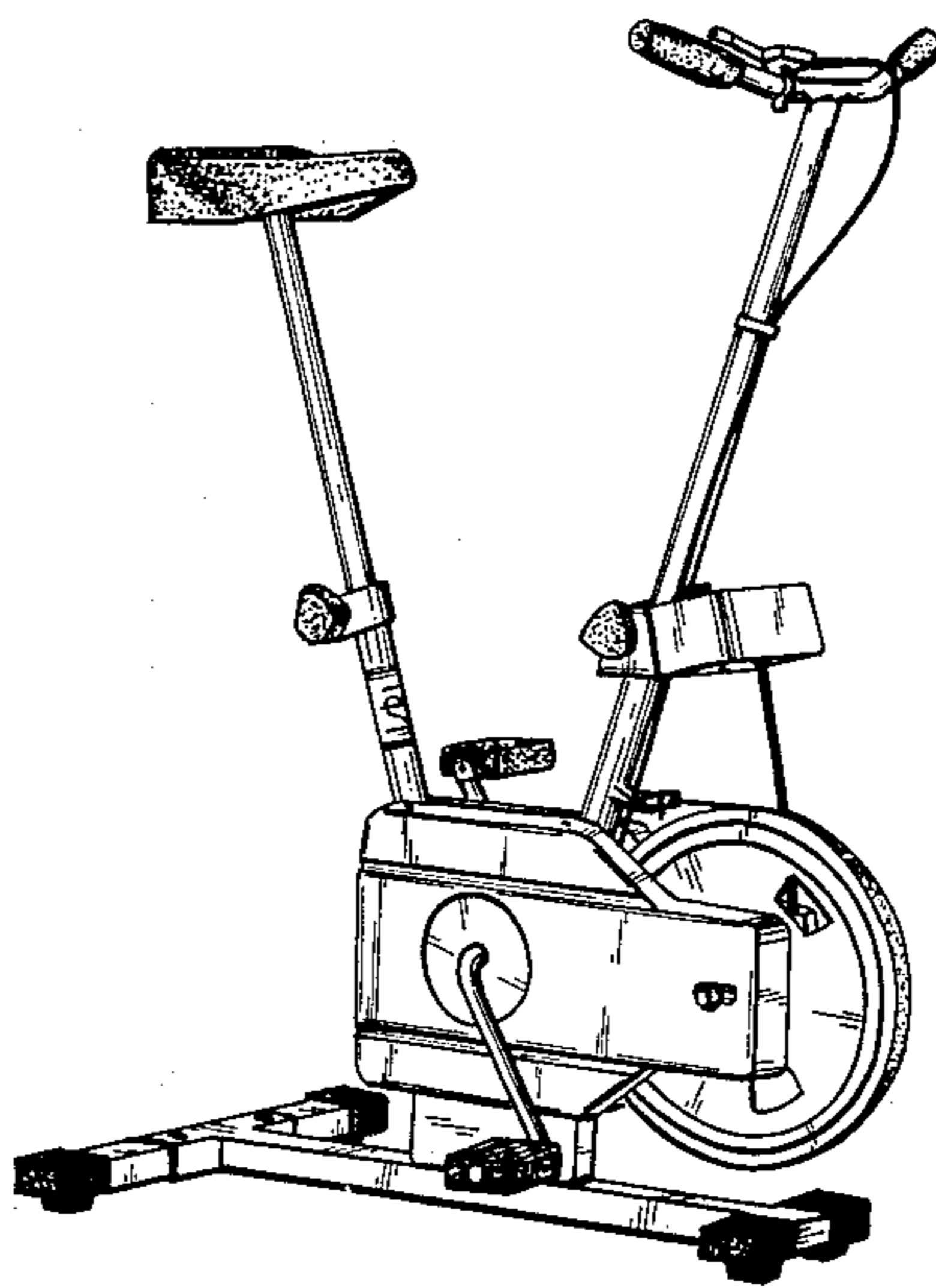
FIG. 1 is a perspective view of a bicycle exerciser
showing my new design;

FIG. 2 is a side perspective view of the side opposite
that shown in FIG. 1;

FIG. 3 is a front perspective view thereof;

FIG. 4 is a rear perspective view thereof; and,

FIG. 5 is a top perspective view thereof.



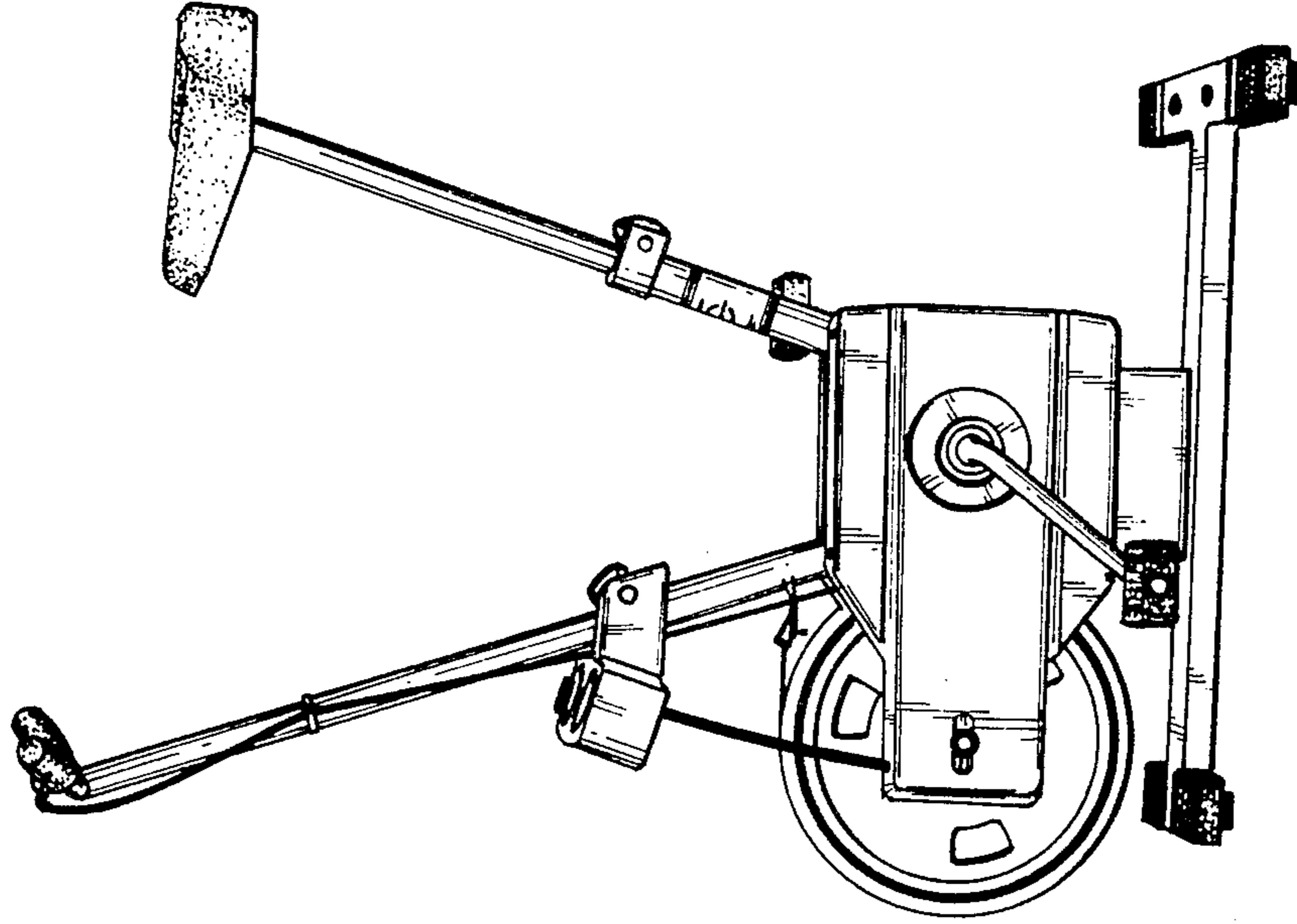


FIG. 2

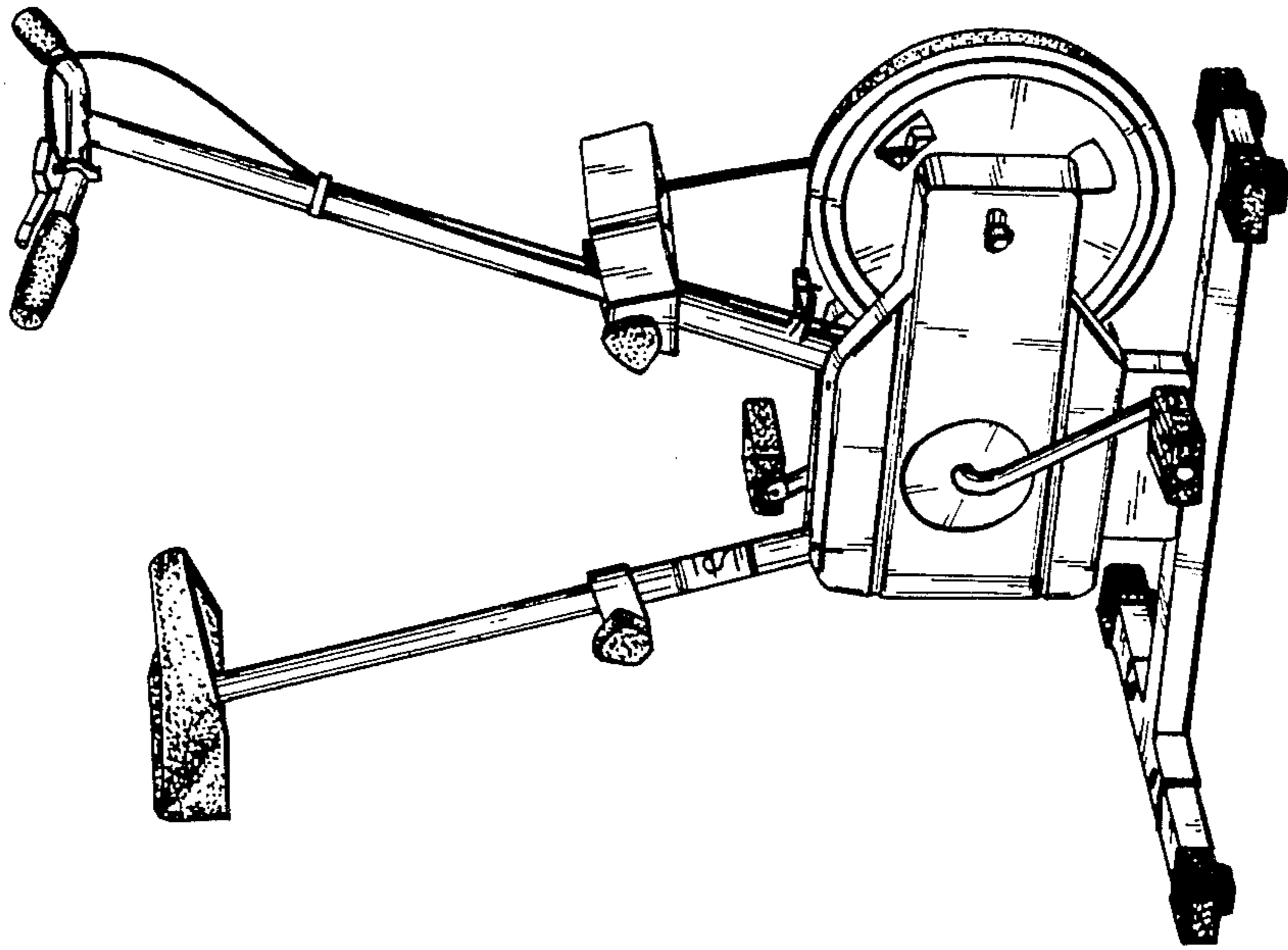


FIG. 1

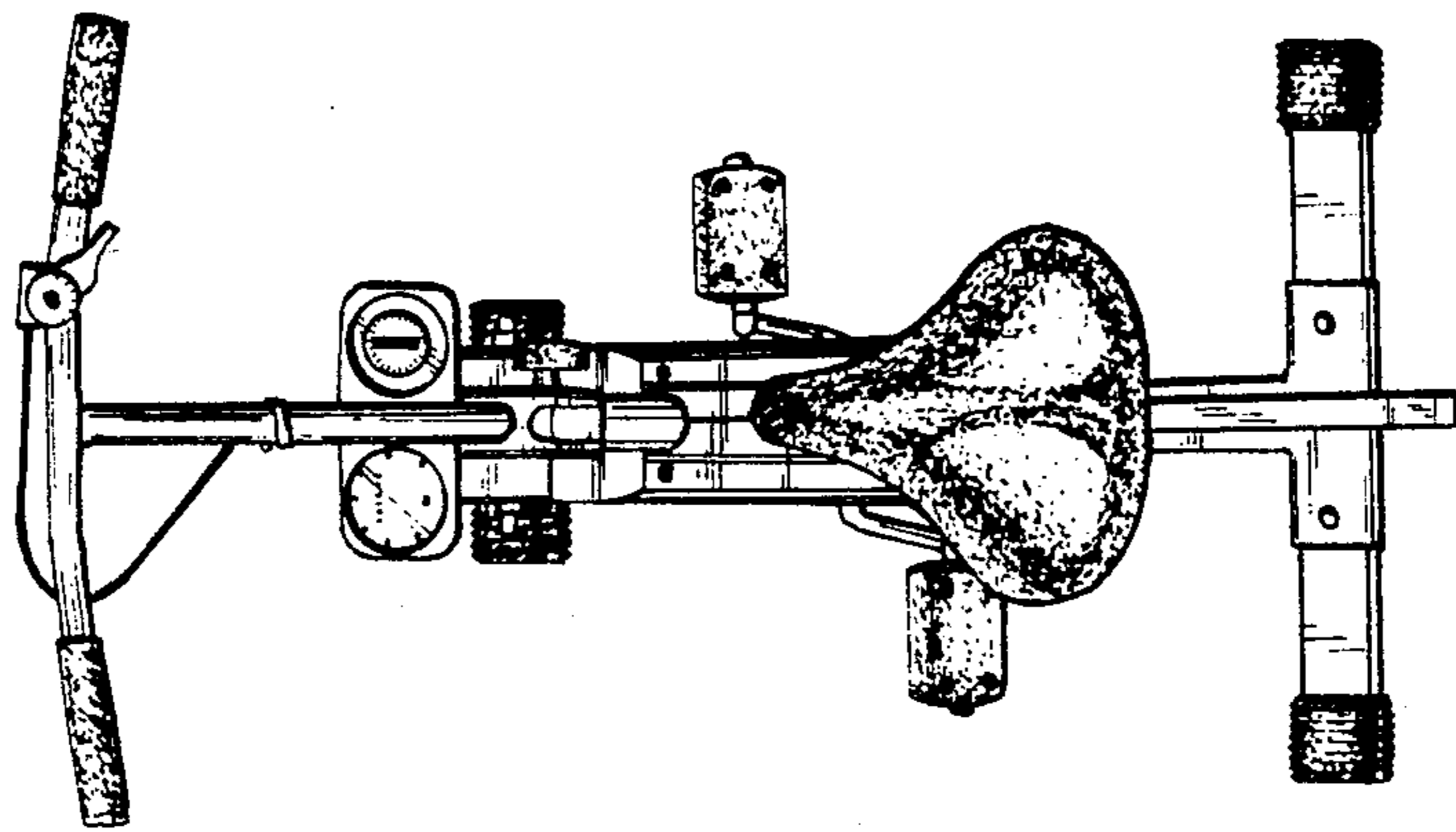


FIG. 5

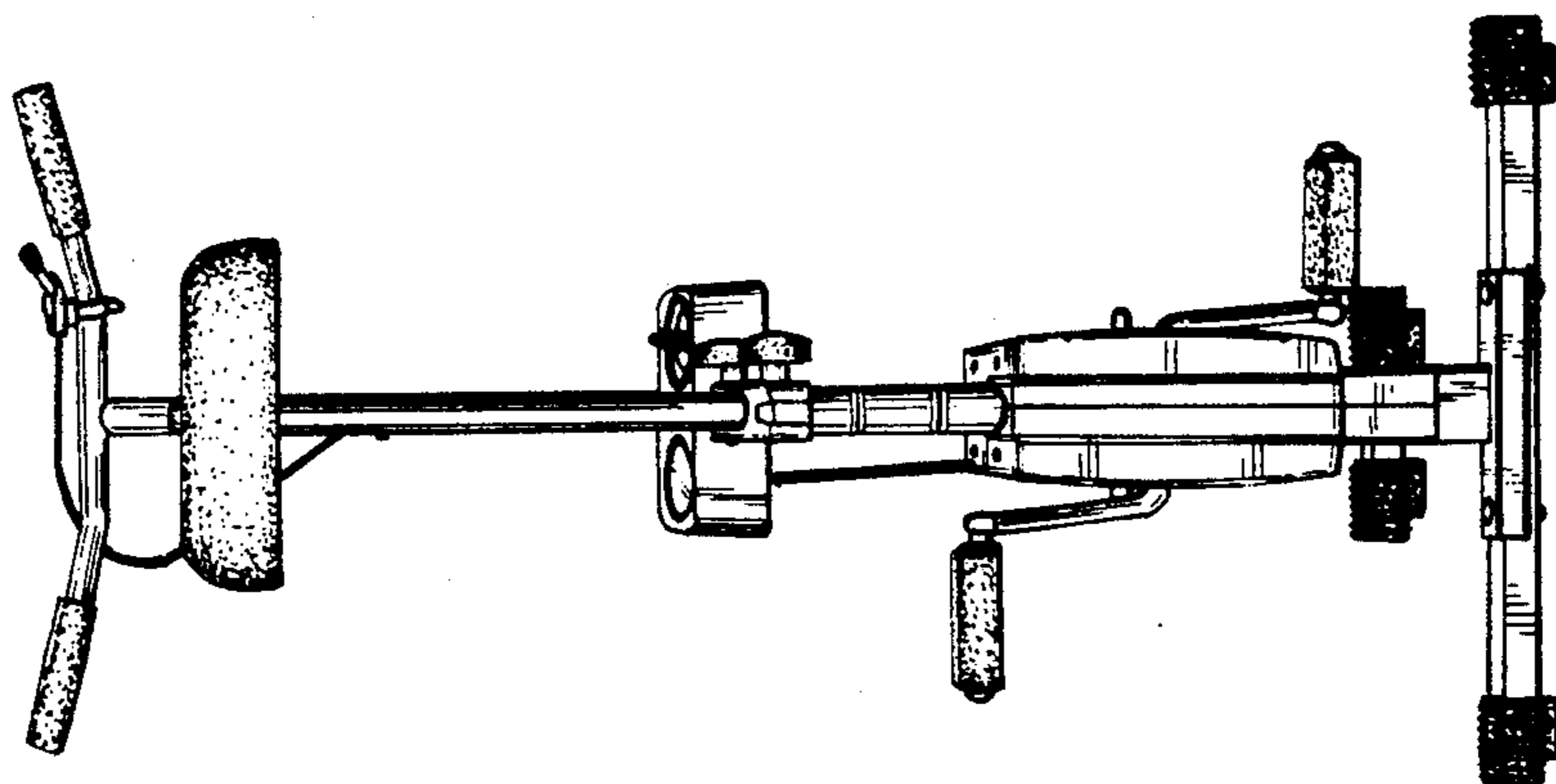


FIG. 4

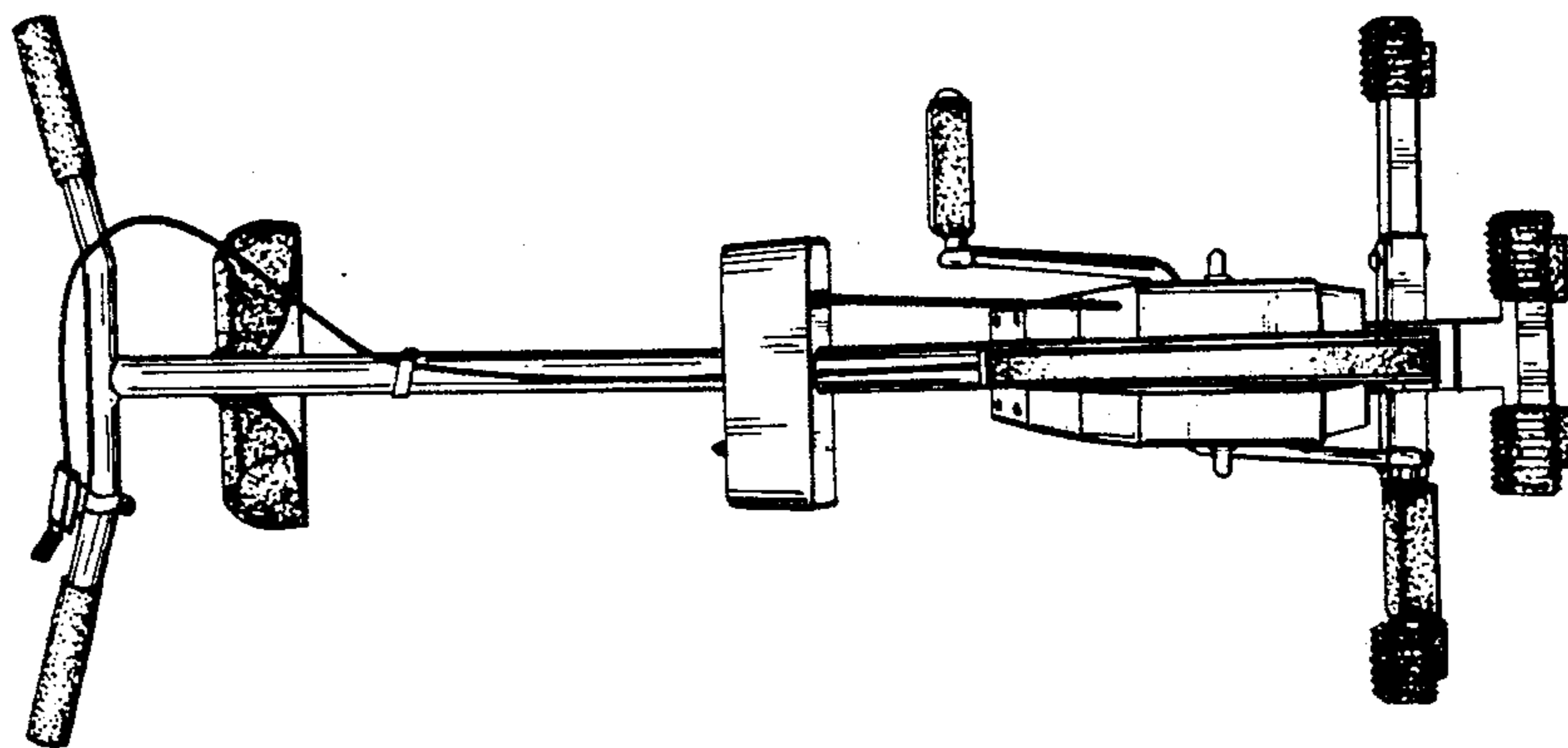


FIG. 3