

[54] **TREADMILL**

[75] **Inventor: David B. Smith, Mercer Island, Wash.**

[73] **Assignee: Precor Incorporated, Redmond, Wash.**

[\*\*] **Term: 14 Years**

[21] **Appl. No.: 484,908**

[22] **Filed: Apr. 14, 1983**

[52] **U.S. Cl. .... D21/192**

[58] **Field of Search ..... D21/191-199;  
 272/69**

[56] **References Cited**

**U.S. PATENT DOCUMENTS**

D. 207,541	5/1967	Hesen .....	D21/192
D. 211,801	7/1968	Quinton .....	D21/192
D. 232,446	8/1974	Townsend .....	D21/192
D. 270,555	9/1983	Ogden .....	D21/192
D. 273,029	3/1984	Kullenberg .....	D21/192

**OTHER PUBLICATIONS**

- Burdick Corporation Advertising Material for Models TSM-300 and TSM-400 Treadmills.
- Cardiac Res. Inc., Advertising Material For ICR Whispermill Model Treadmill.
- Hayden Industries, Inc. Advertising Material Illustrating Woodway Treadmill.
- Kidde, Inc. Advertising Material for Tredex Nos. 2902, 2903, 2904, 2905 and 2921 Treadmills.

- Fitness Equipment Advertising Material for Marathon 1,000, 3,000, 5,000, 5,000E and 7,000 Treadmills.
- MacLevy Products Corp. Advertising Material for "Jog Master," Jog O Matic, Cardial Fitness, and Tunturi.
- MGI Strength/Fitness Systems Advertising for Models 23N and 23P Treadmills.
- Marquette Electronics, Inc., Advertising for Series 6500 Modular Exercise System.
- M & R Industries, Inc., Advertising for Delo Treadmill.
- Ogden Health Products Advertising for TM Pacer II Treadmill.
- Paser Industries Inc. Advertising for Models R1, R2, R2D, R3, R3 Digital, R9 and R9 Medical Treadmills.
- Trotter Treadmills, Inc., Advertising for Models C22, Trotter 320 and Trotter 3100 Treadmills.
- Quinton Instrument Company Advertising for Models 18-49, 18-60, 24-72 and 18-54 Treadmills.

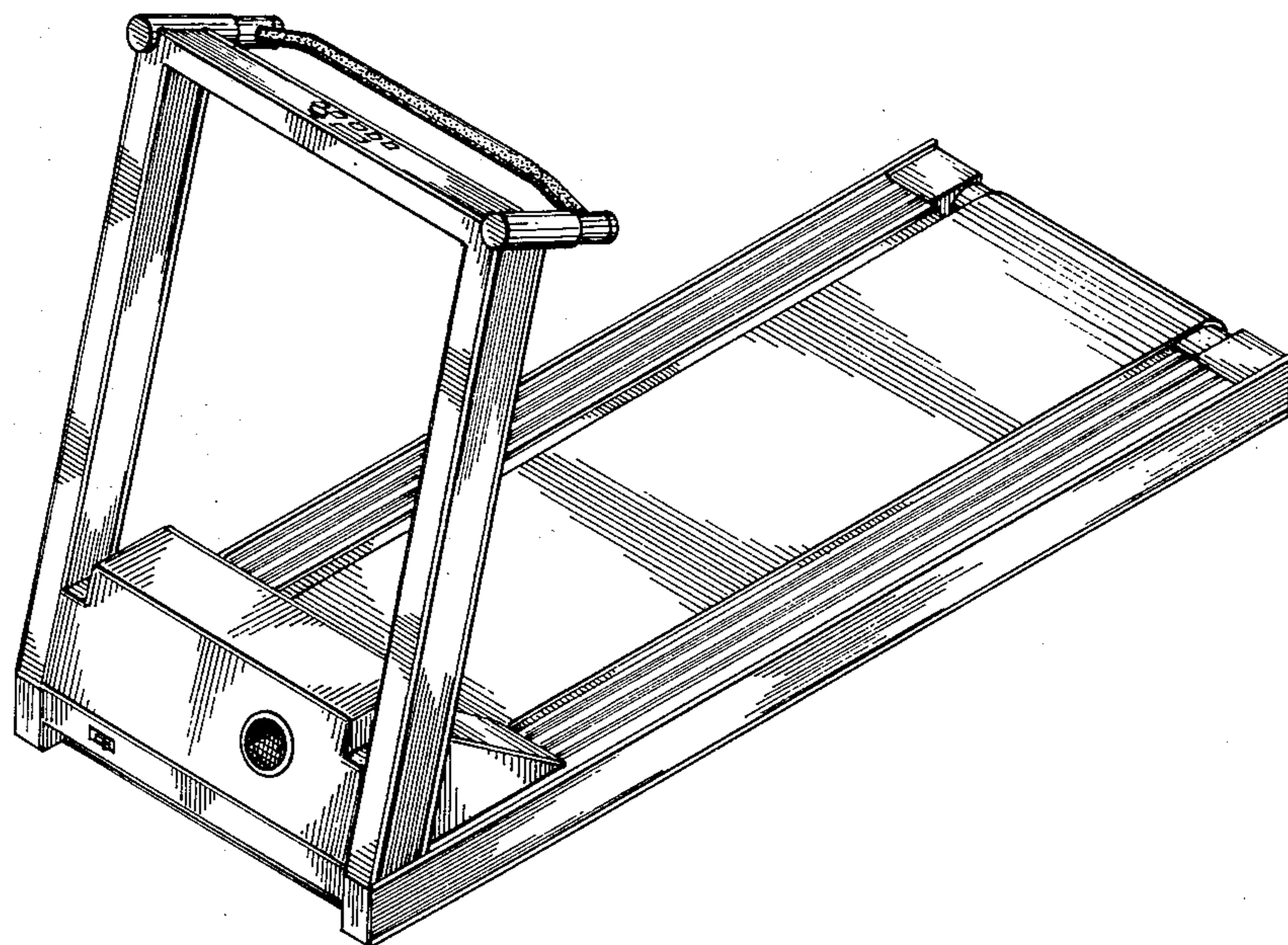
*Primary Examiner*—Charles A. Rademaker  
*Attorney, Agent, or Firm*—Christensen, O'Connor, Johnson & Kindness

[57] **CLAIM**

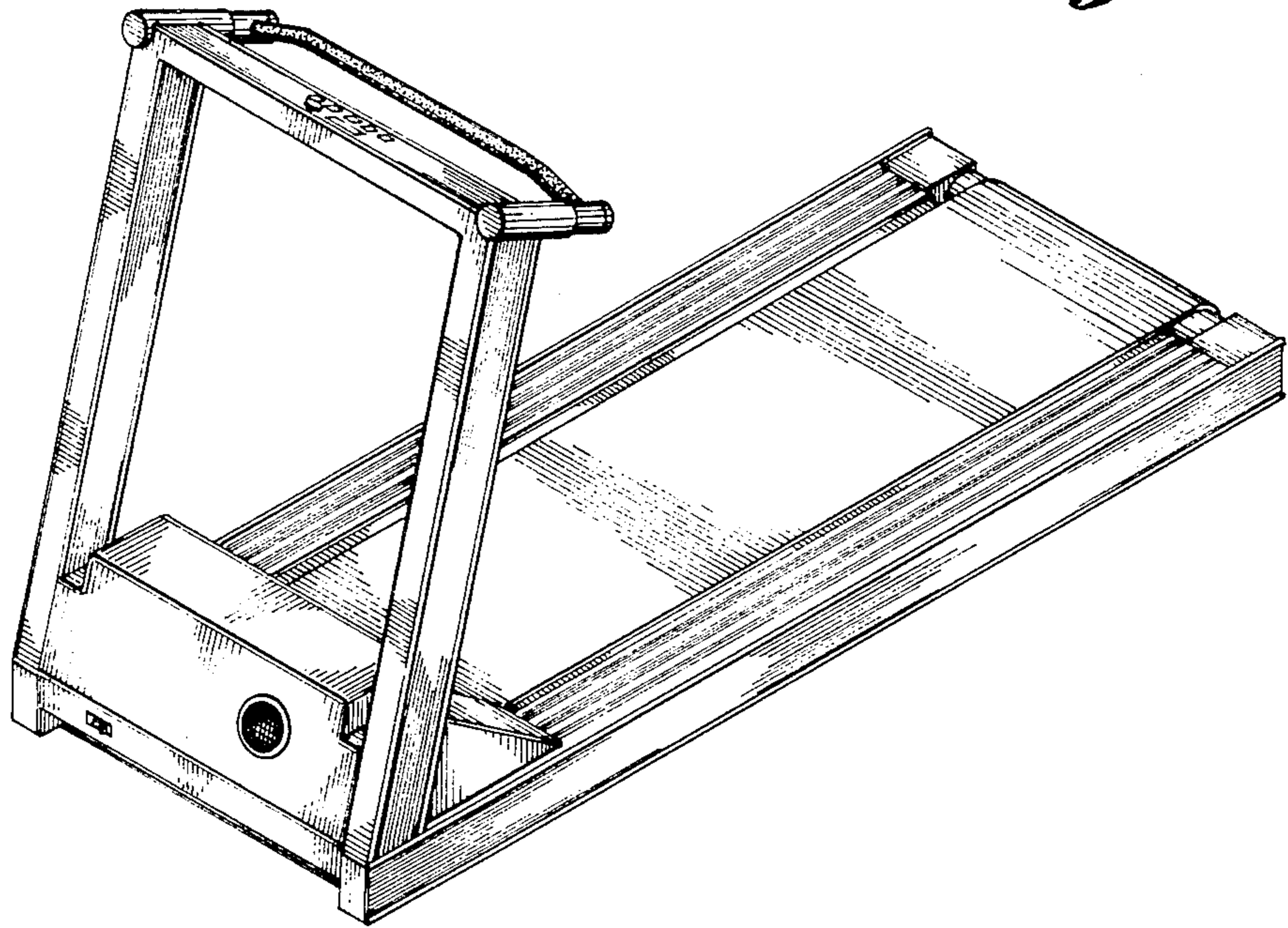
The ornamental design for a treadmill, substantially as shown and described.

**DESCRIPTION**

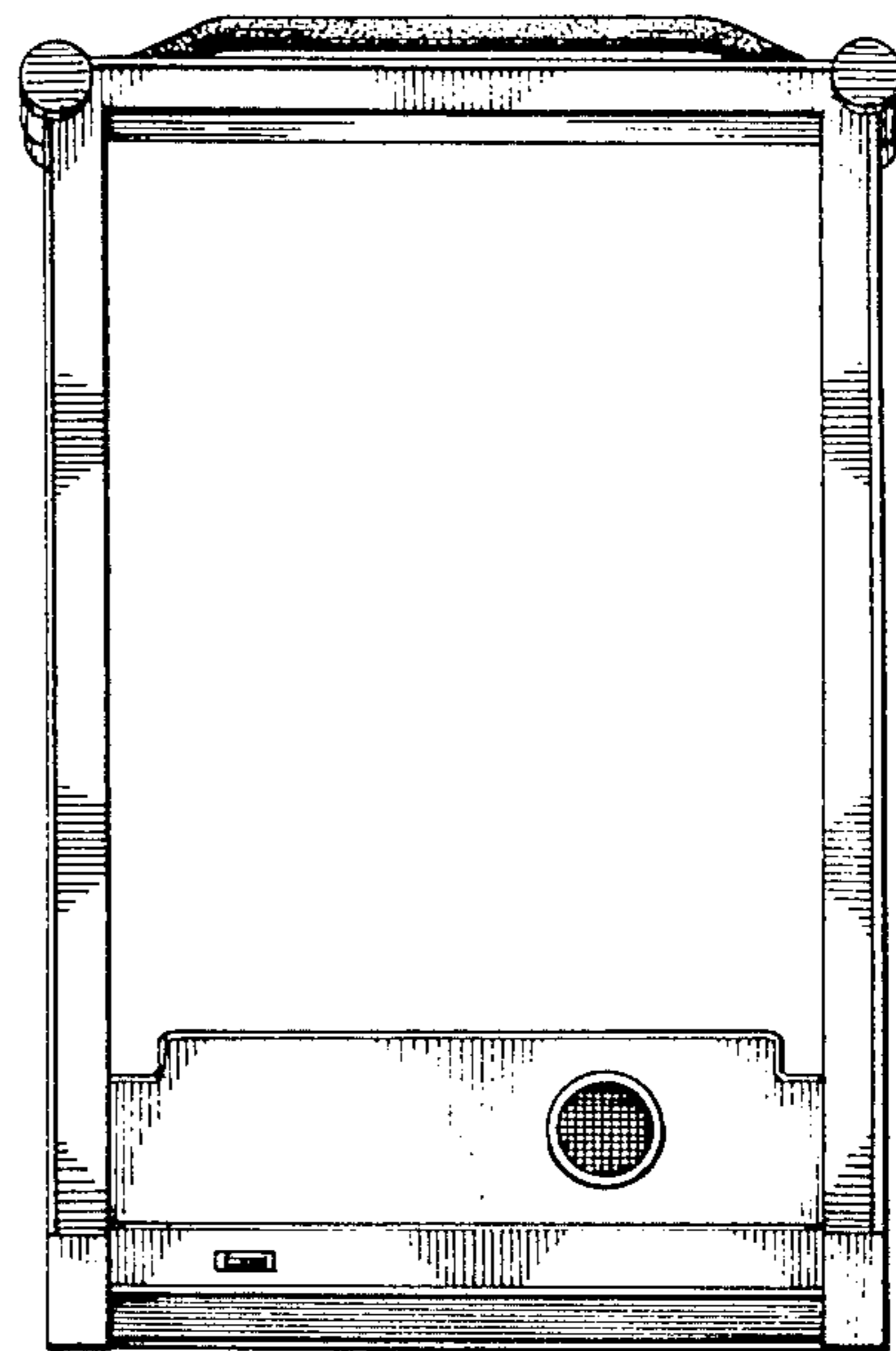
FIG. 1 is a front perspective view of a treadmill showing my new design;  
 FIG. 2 is a front elevational view thereof;  
 FIG. 3 is a rear perspective view thereof;  
 FIG. 4 is a rear elevational view thereof;  
 FIG. 5 is a side elevational view thereof; and,  
 FIG. 6 is a top plan view thereof.

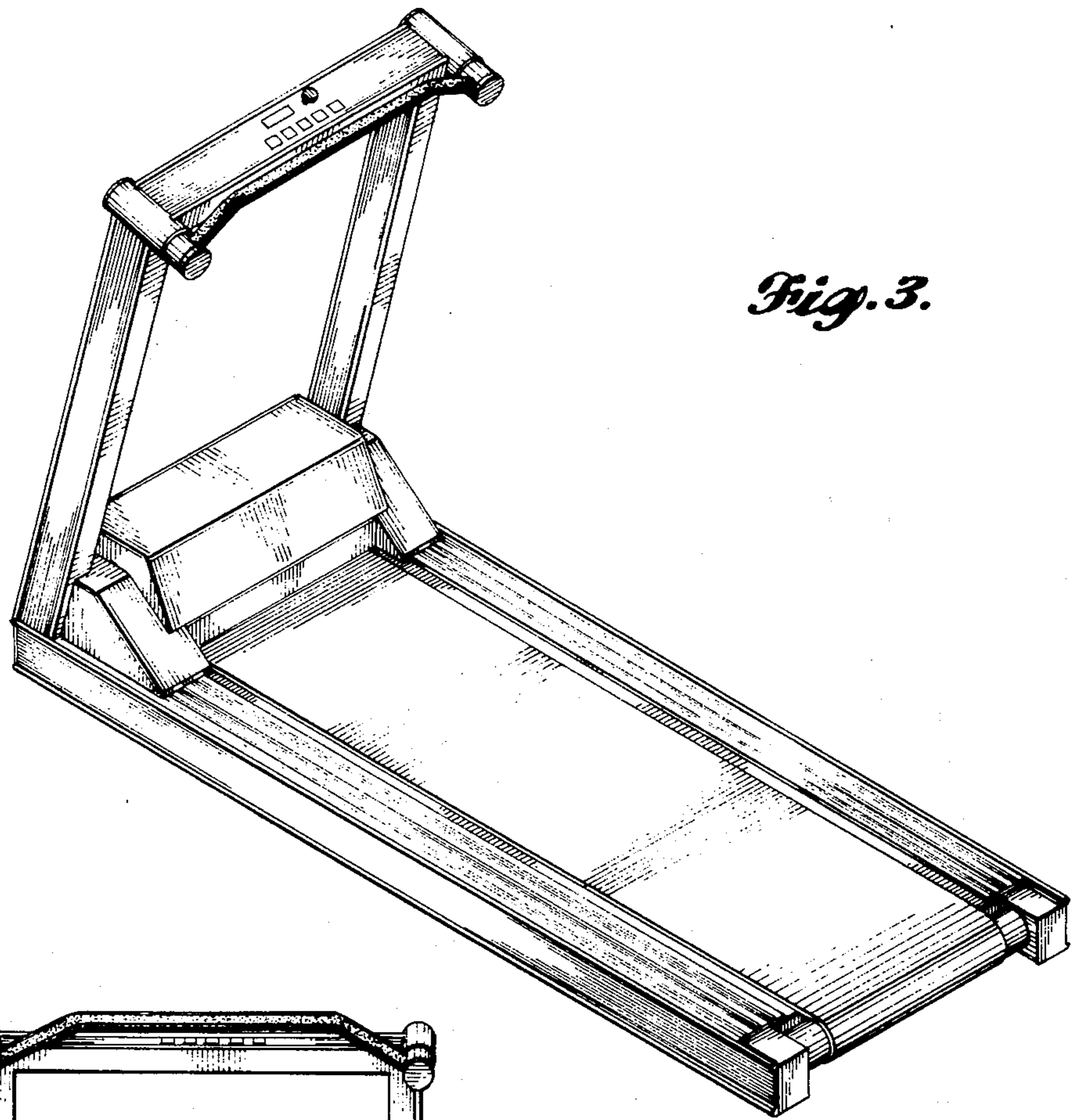


*Fig. 1.*

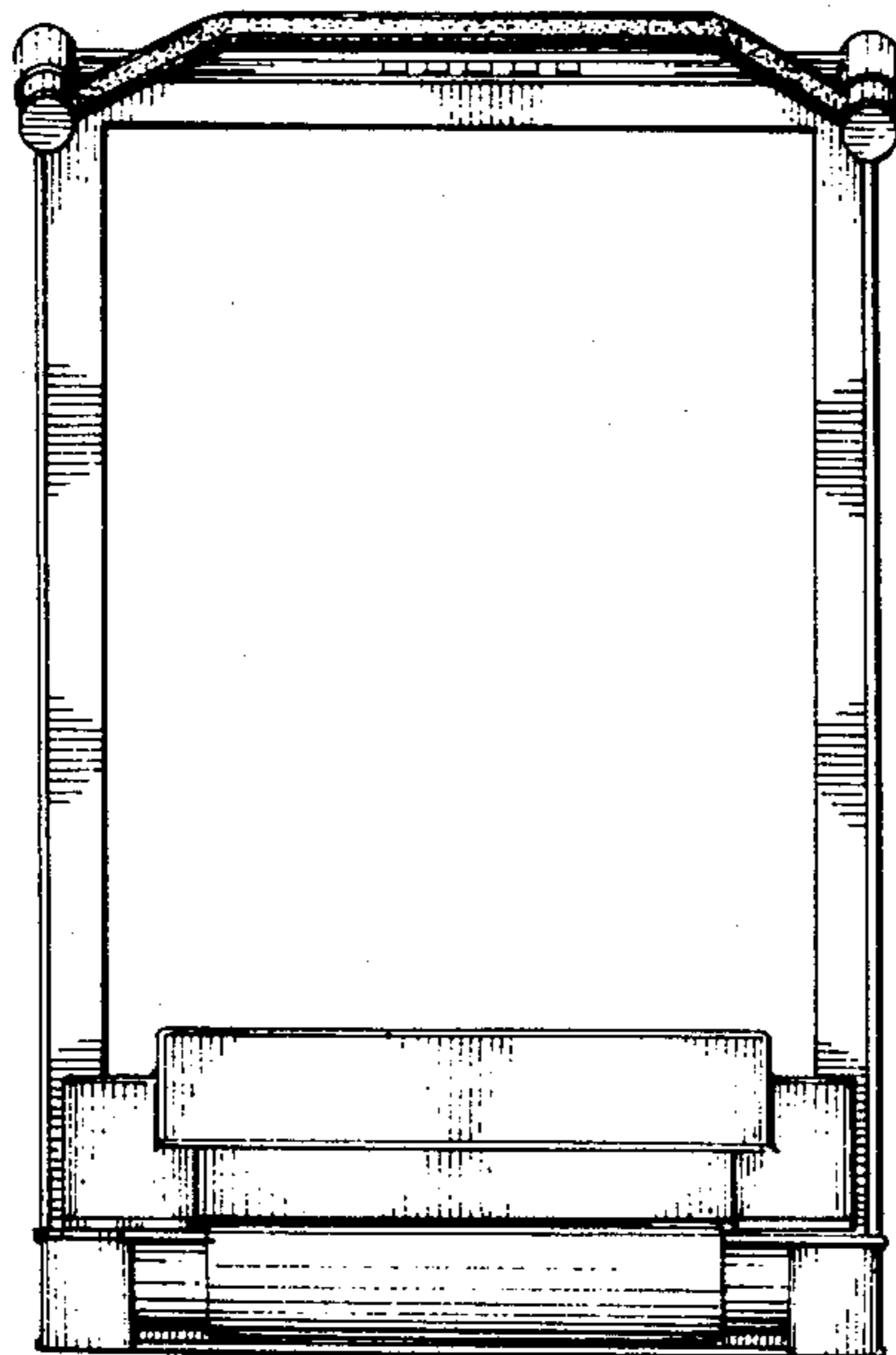


*Fig. 2.*

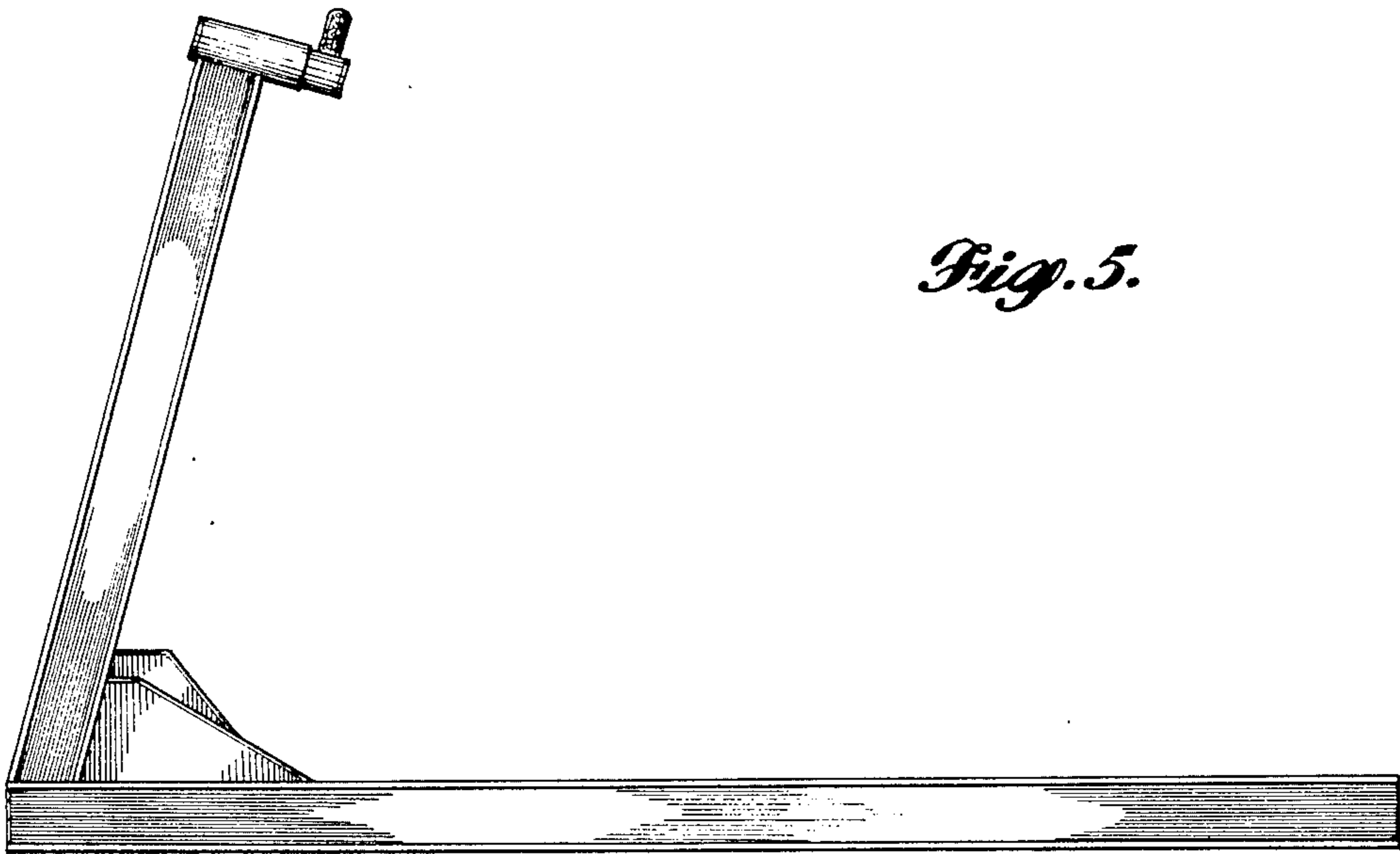




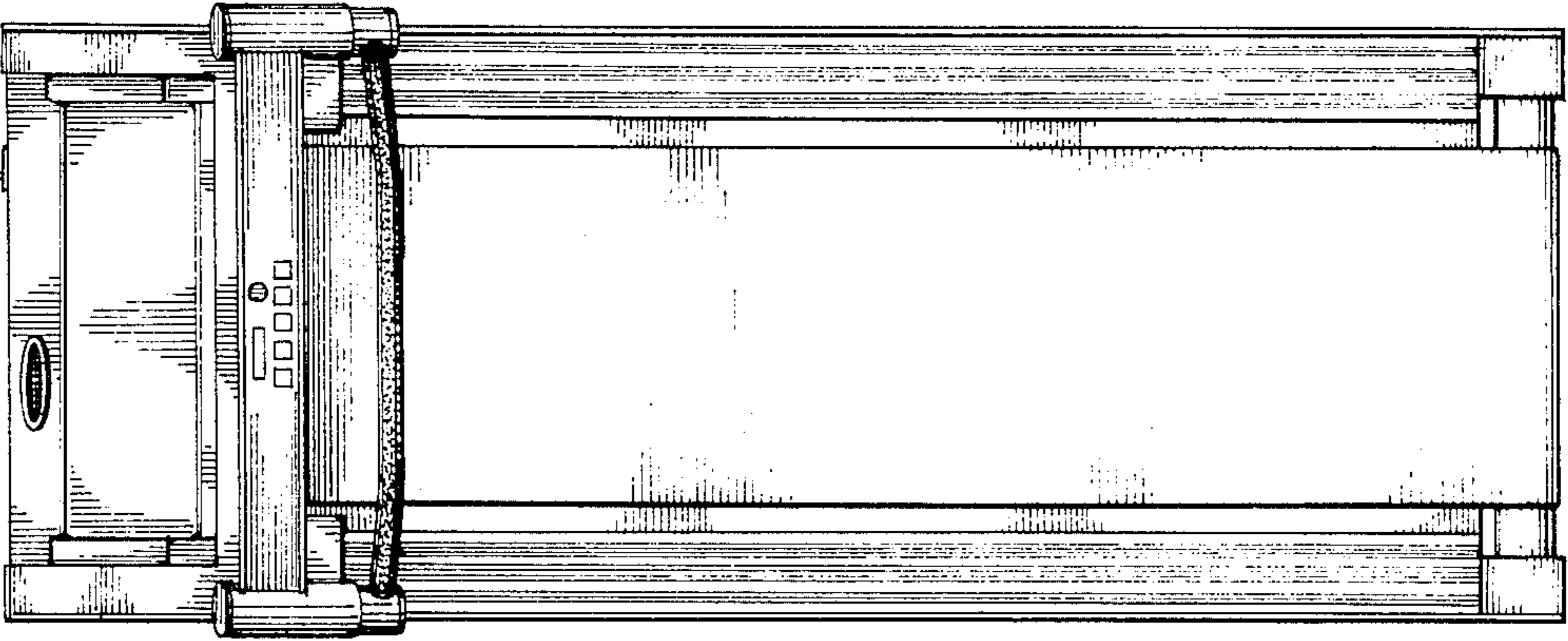
*Fig. 3.*



*Fig. 4.*



*Fig. 5.*



*Fig. 6.*