

[54] FOOT SUPPORT BLOCK FOR RUNNER'S STARTING BLOCK ASSEMBLY

[76] Inventor: Milton A. Newton, Jr., 4392 Pampas Rd., Woodland Hills, Calif. 91364

[**] Term: 14 Years

[21] Appl. No.: 510,090

[22] Filed: Jun. 29, 1983

[52] U.S. Cl. D21/199

[58] Field of Search D21/199, 191; 272/105

[56] References Cited

U.S. PATENT DOCUMENTS

1,701,026	2/1929	Bresnahan	272/105
2,004,172	6/1935	Niday	272/105
3,401,931	9/1968	McCafferty et al.	272/105

Primary Examiner—Melvin B. Feifer
Attorney, Agent, or Firm—Howard L. Johnson

[57] CLAIM

The ornamental design for a foot support block for a runner's starting block assembly, substantially as shown and described.

DESCRIPTION

FIG. 1 is a top plan view of a foot support block for a runner's starting block assembly, showing my new design;

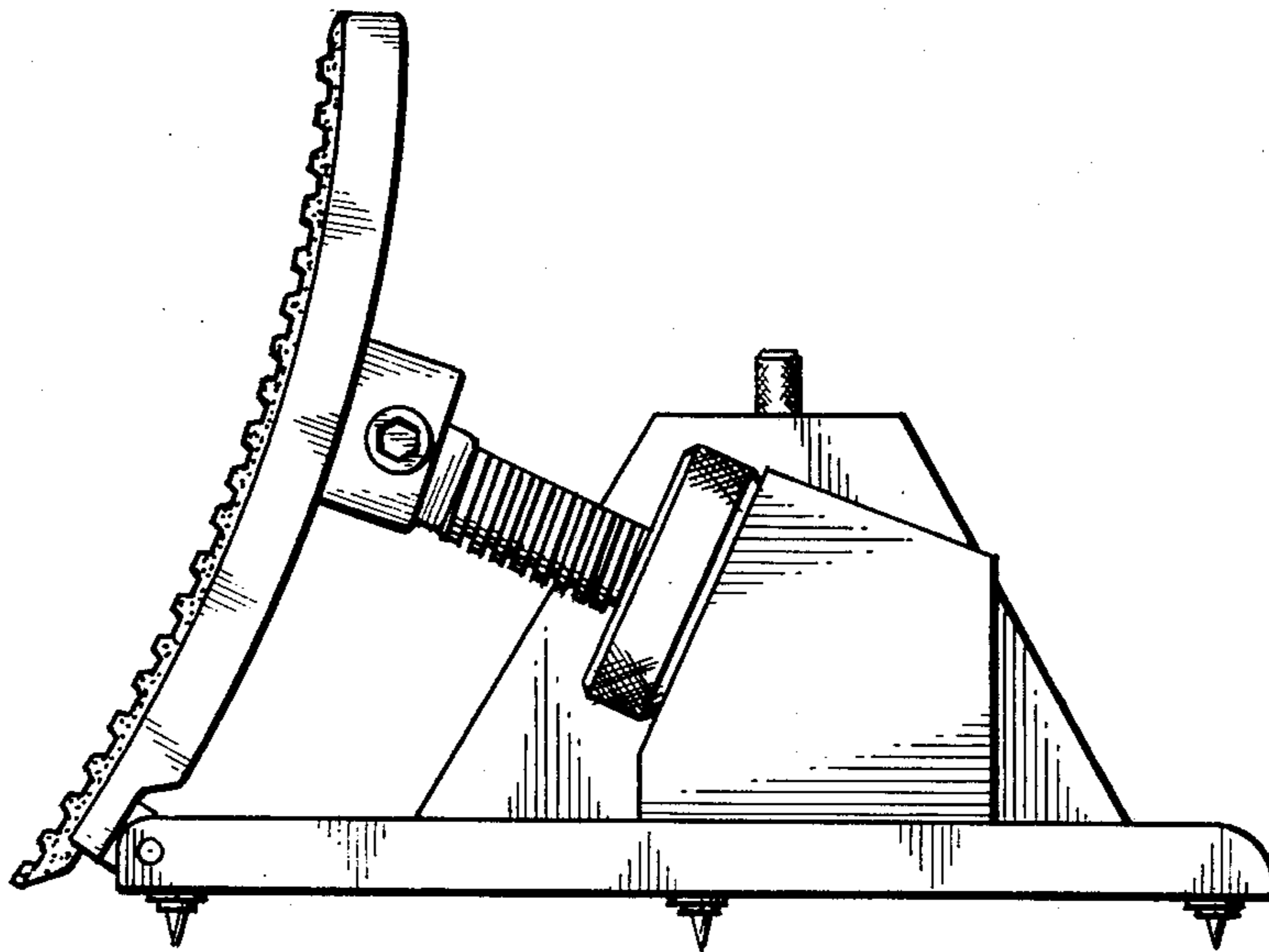
FIG. 2 is a bottom plan view thereof;

FIG. 3 is a side elevational view with the foot support plate in elevated position;

FIG. 4 is an elevational view of the opposite side with the foot support plate in reclined position;

FIG. 5 is a rear elevational view thereof;

FIG. 6 is a front elevational view thereof.



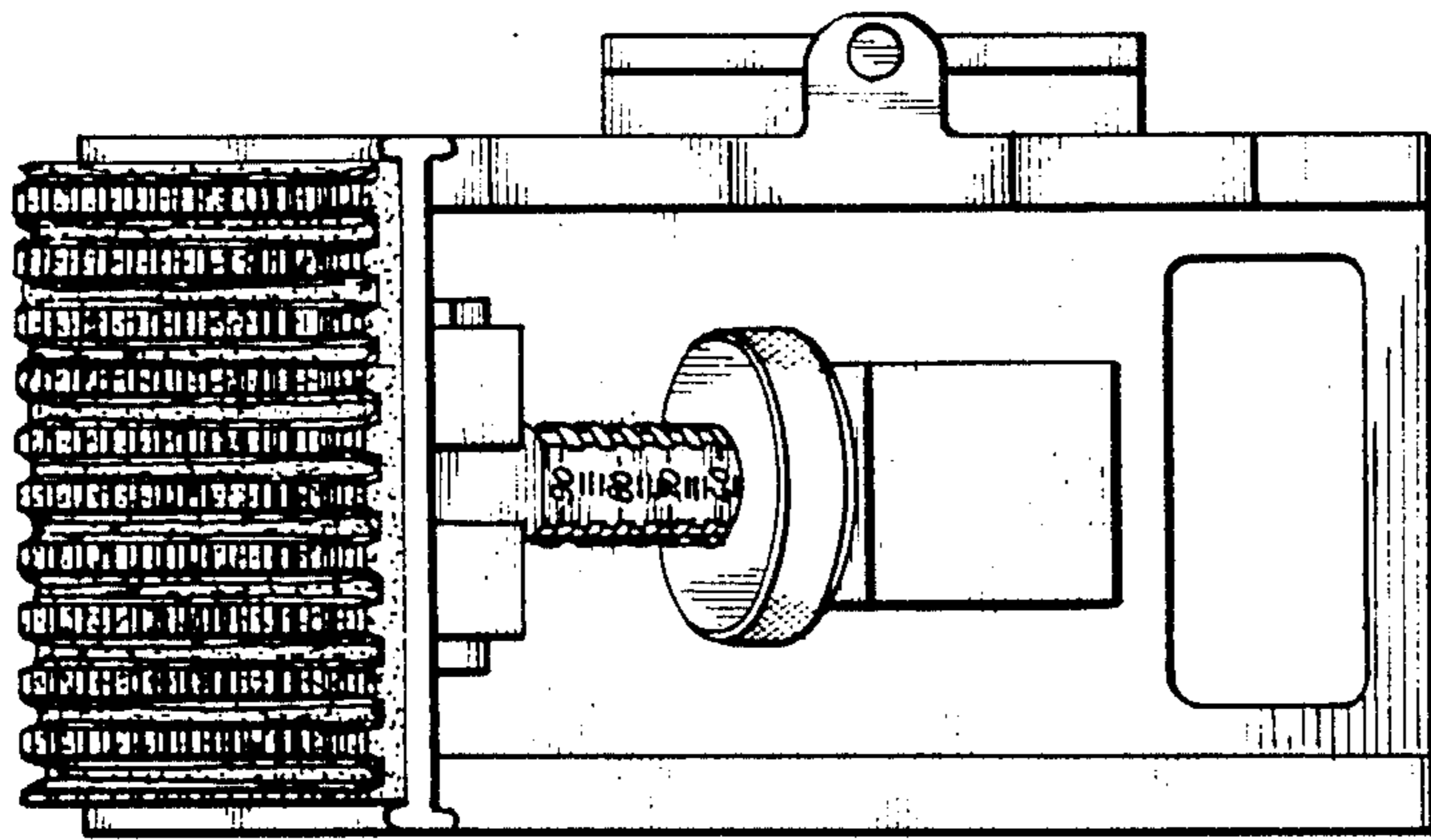


FIG. 1.

FIG. 2.

FIG. 3.

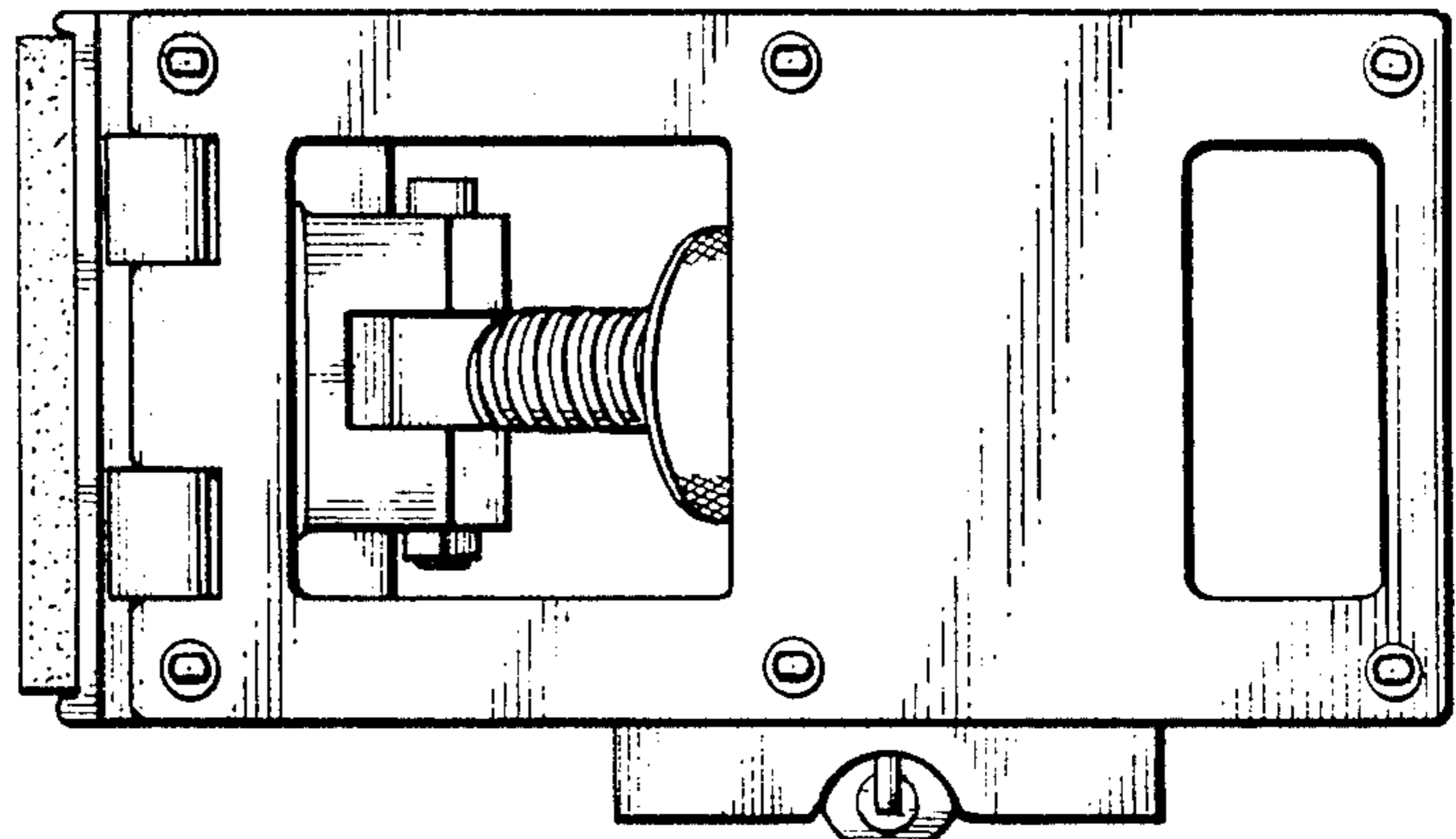


FIG. 6.

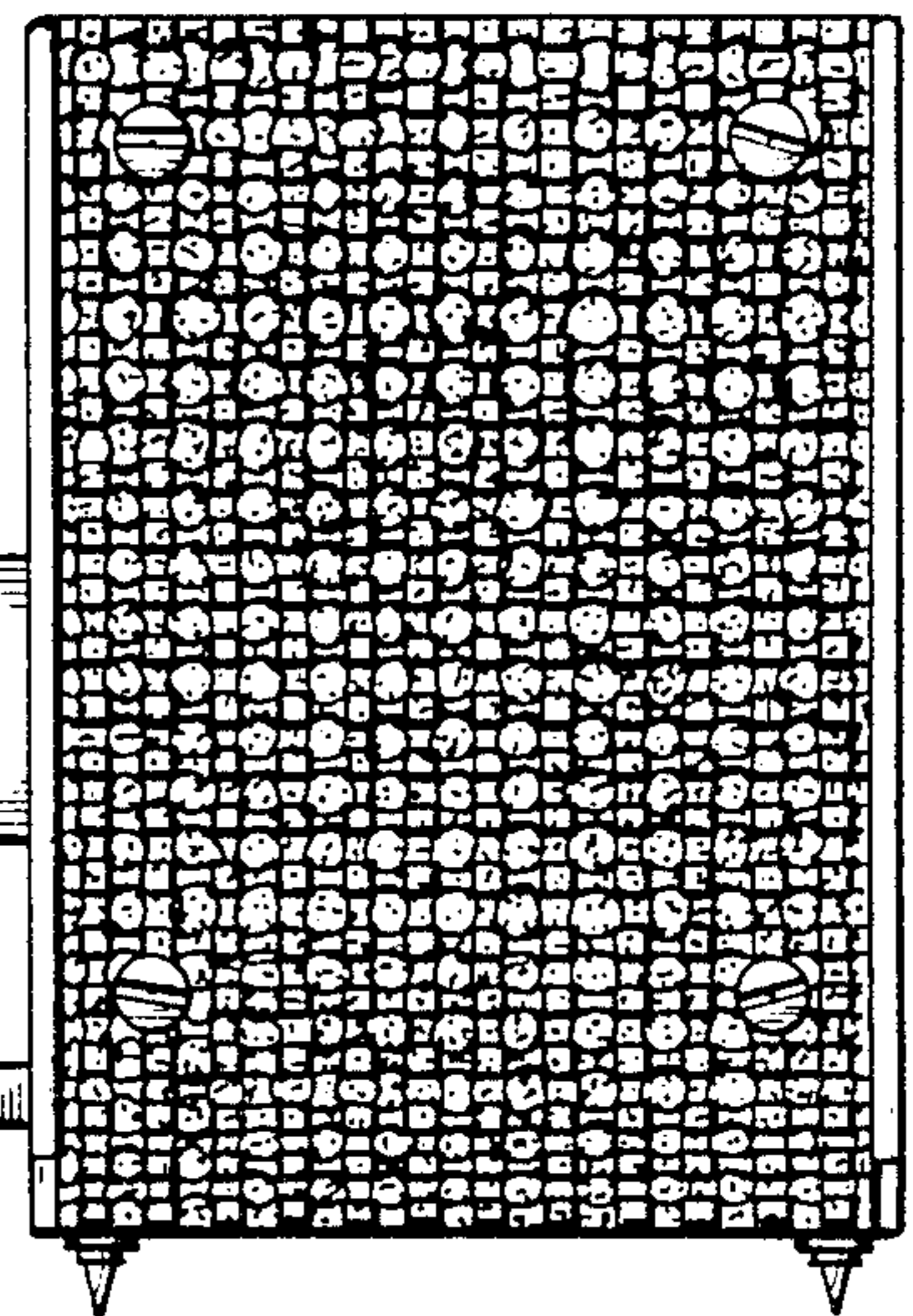
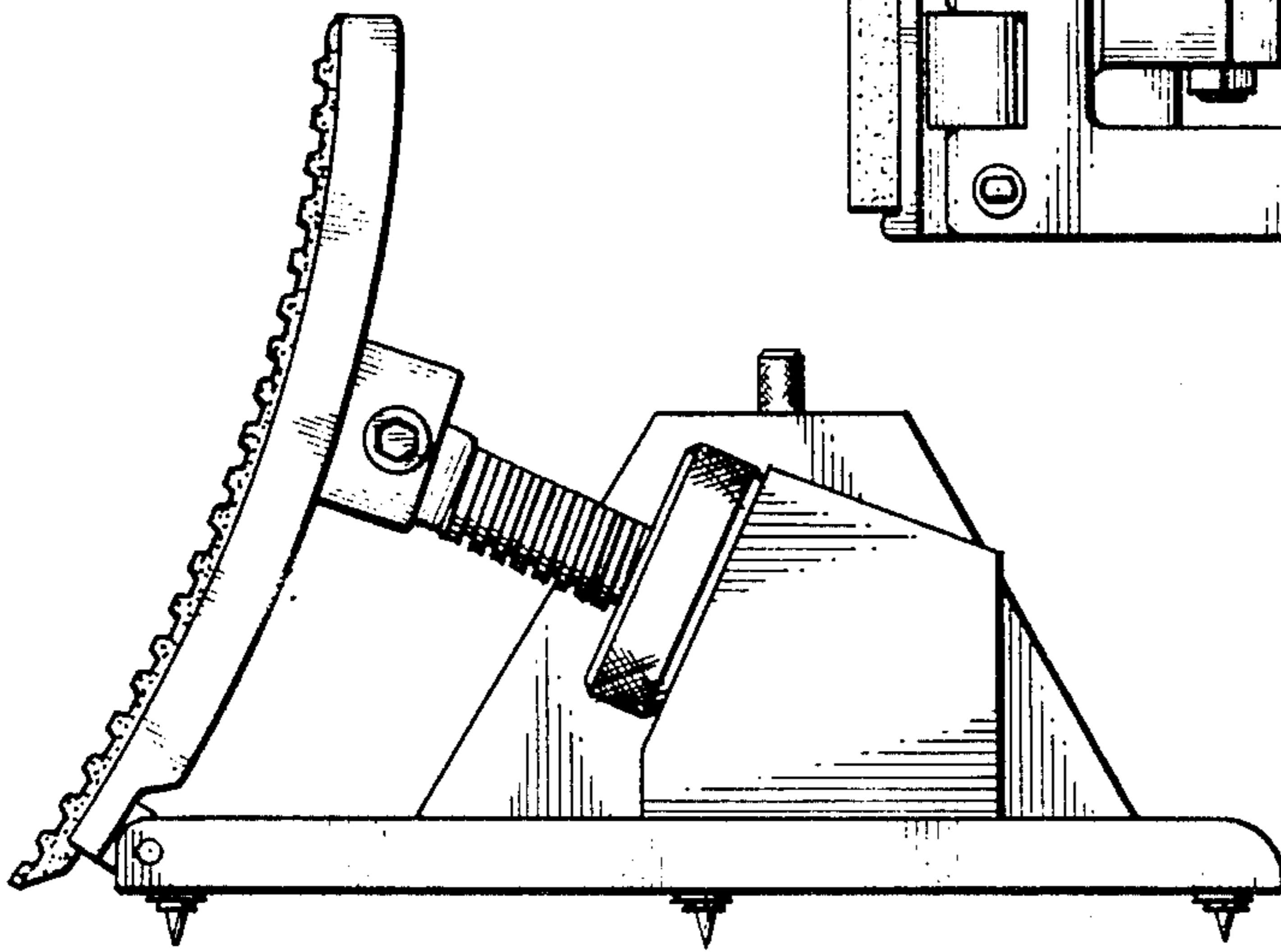


FIG. 5.

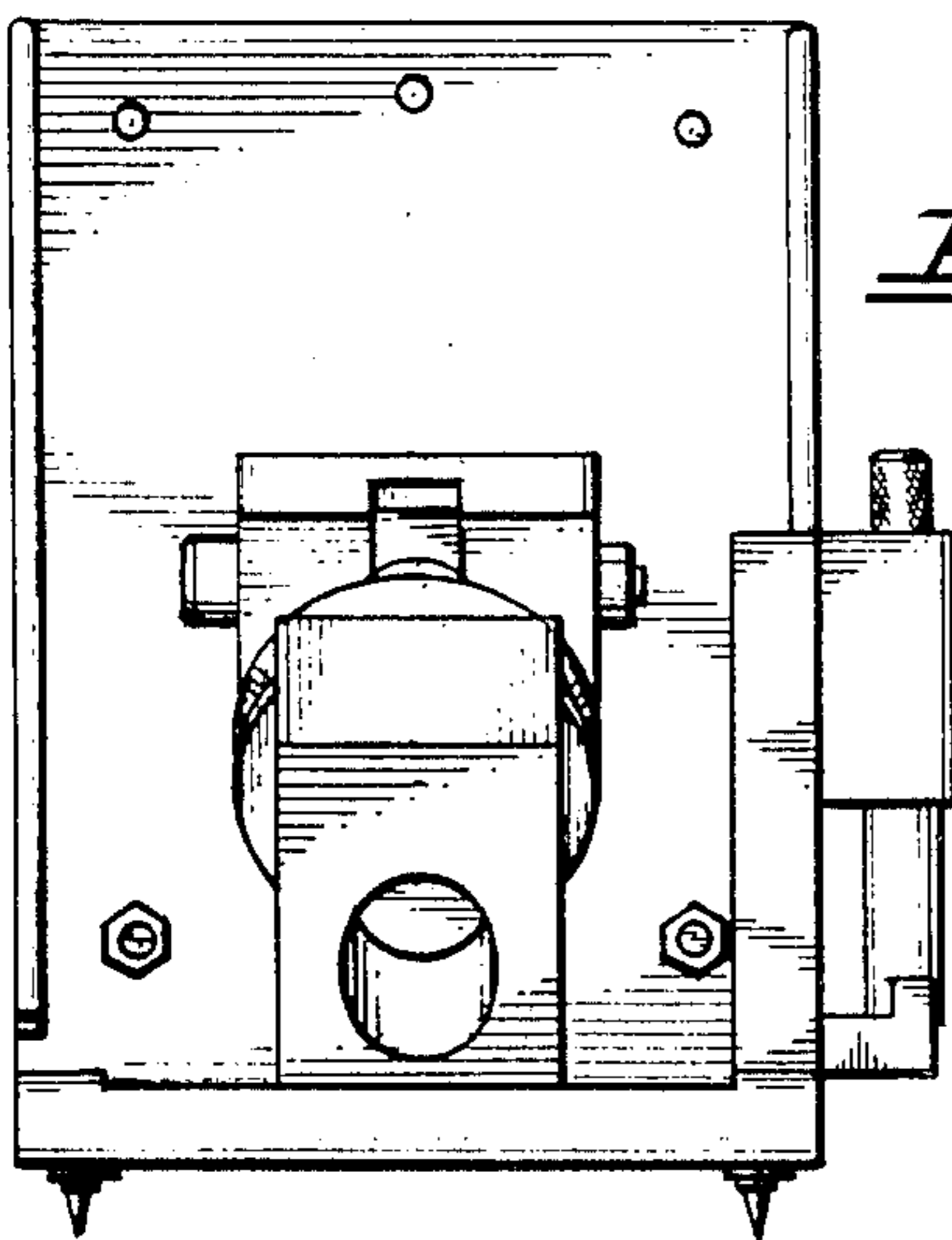


FIG. 4.

