

[54] **DUAL TIP MARKING INSTRUMENT**

[76] **Inventor: Stephen R. Gribb, 10846 Seavitt Dr., Allen Park, Mich. 48101**

[**] **Term: 14 Years**

[21] **Appl. No.: 482,563**

[22] **Filed: Apr. 6, 1983**

[52] **U.S. Cl. D19/43; D19/36; D19/51**

[58] **Field of Search D19/36, 41-51; 401/55, 60, 62, 195, 261, 262**

[56] **References Cited**

U.S. PATENT DOCUMENTS

D. 141,850	7/1945	Sanders	D19/51
D. 158,051	4/1950	Compas	D19/43
D. 220,296	3/1971	Berlin	D19/42
D. 256,135	7/1980	Storms	D19/43
3,969,028	7/1976	Negreiros	D19/41

Primary Examiner—George P. Word
Attorney, Agent, or Firm—Adolph G. Martin

[57] **CLAIM**

The ornamental design for adual tip marking instrument, as shown and described.

DESCRIPTION

Be it known that I, Stephen R. Gribb, have invented a new, original and ornamental design for a dual tip marking instrument of which the following is a specification, reference being had to the accompanying drawings, forming a part hereof.

FIG. 1 is a front elevational view of a dual tip marking instrument showing my new design;

FIG. 2 is a front elevational view thereof, with the end caps removed;

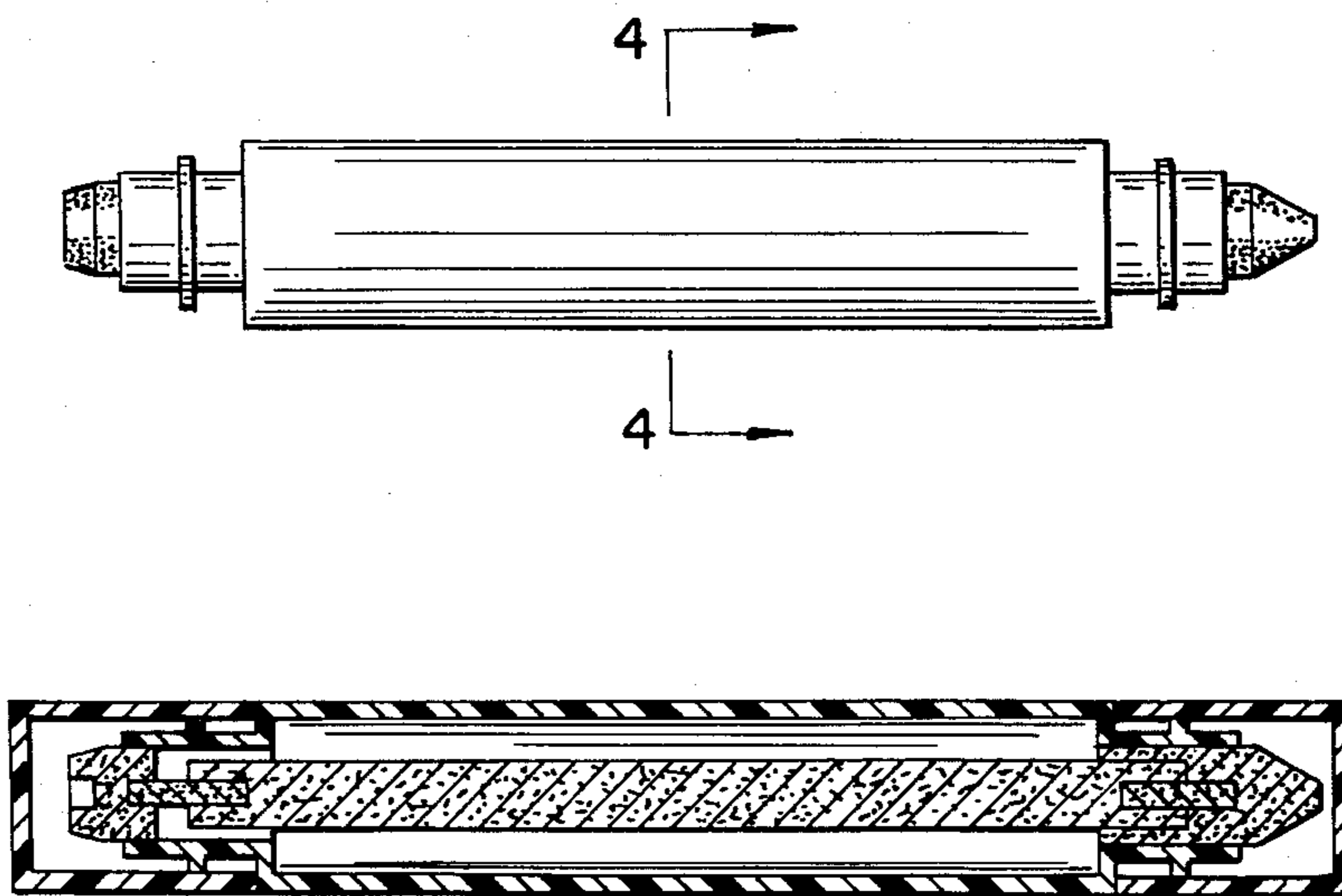
FIG. 3 is a cross sectional view, taken along line 3—3 in FIG. 1;

FIG. 4 is a cross sectional view, taken along line 4—4 in FIG. 4;

FIG. 5 is an end elevational view thereof, with the end caps in place;

FIG. 6 is a left end elevational view thereof, with the end cap removed; and

FIG. 7 is a right end elevational view thereof with the end cap removed.



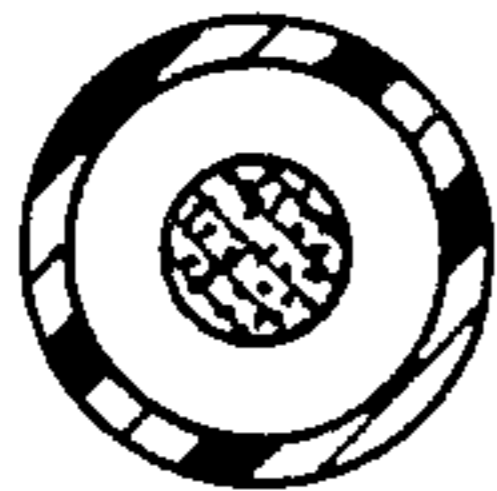
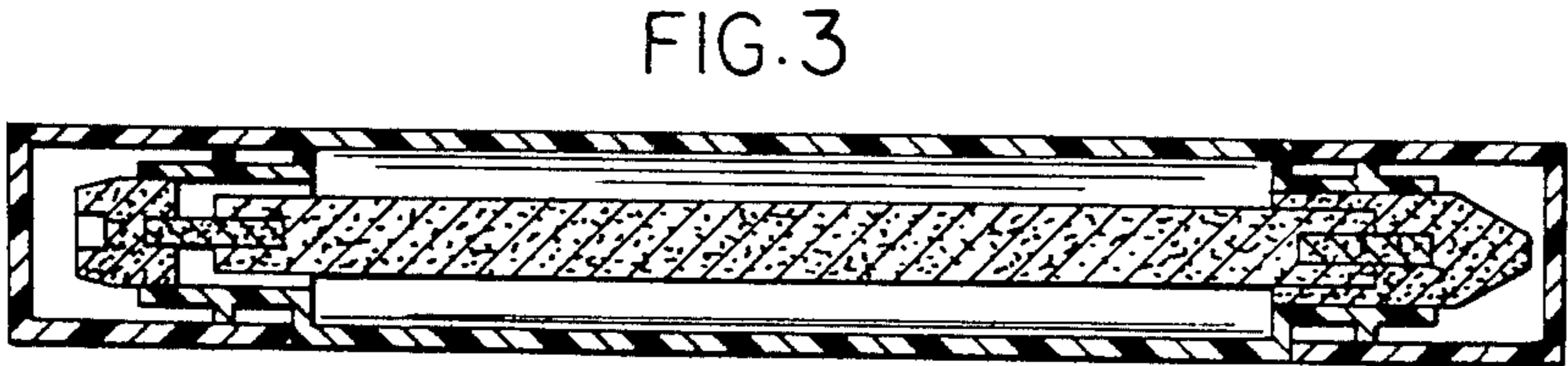
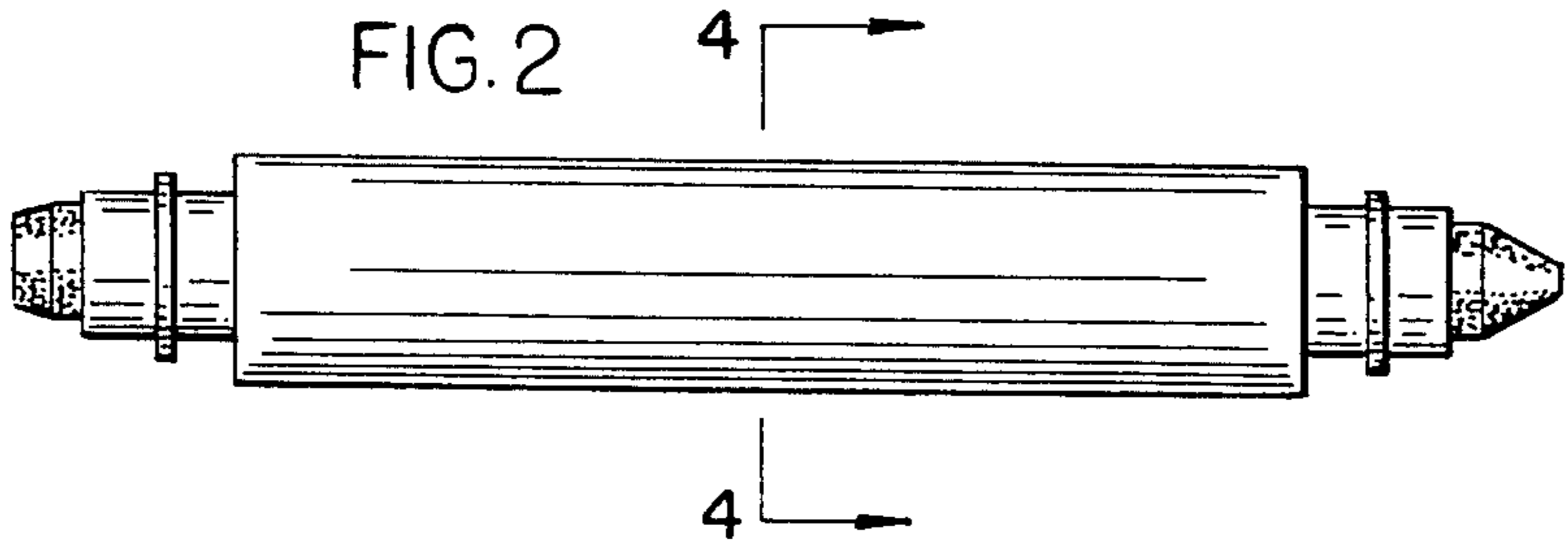
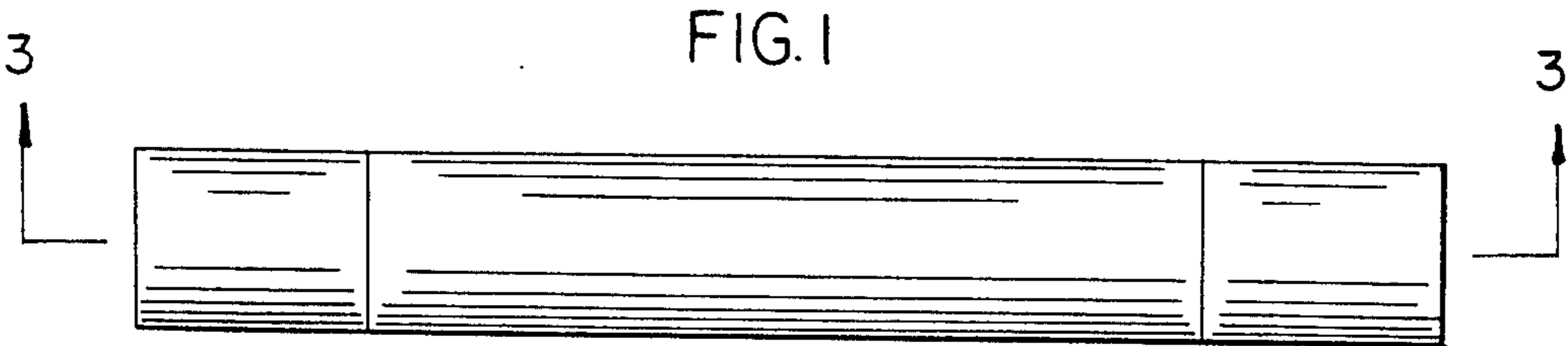


FIG. 4

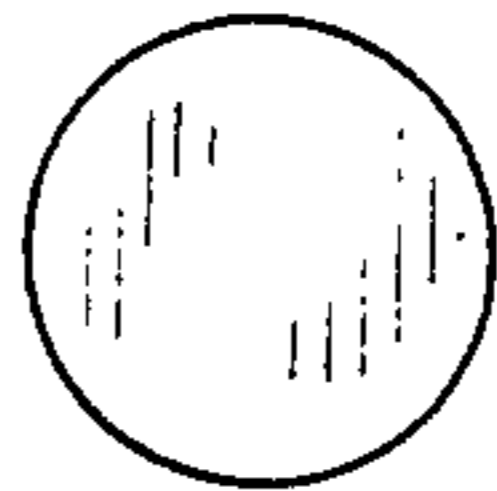


FIG. 5

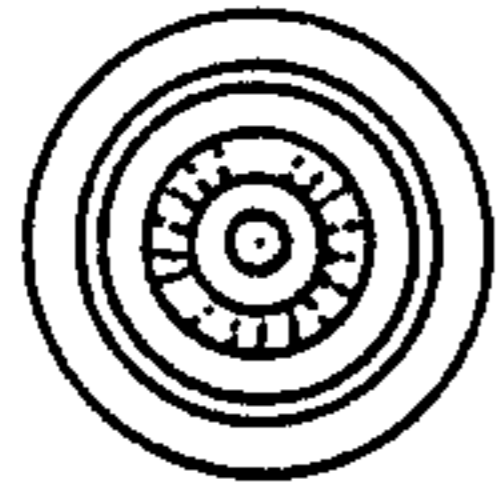


FIG. 6

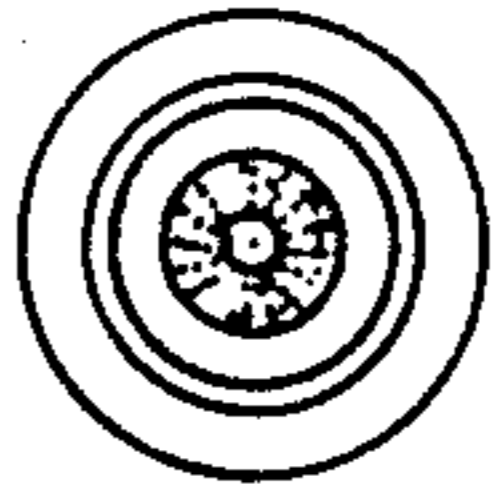


FIG. 7