

[54] DISPLAY CABINET FOR CRT

[75] Inventor: Nuccio Bertone, Turin, Italy

[73] Assignee: Northern Technologies Limited, Markham, Canada

[**] Term: 14 Years

[21] Appl. No.: 493,483

[22] Filed: May 11, 1983

[52] U.S. Cl. D14/113; D14/77; D14/82

[58] Field of Search D14/100, 106, 113, 77, D14/80, 81, 82, 83; 340/700, 706, 711, 720; 358/249, 254; 312/7.2

[56] References Cited

U.S. PATENT DOCUMENTS

D. 219,887 2/1971 Horzick D14/80

OTHER PUBLICATIONS

Radio Shack TRS-80 Microcomputer Catalog, 1982, p. 23, Display Terminal.

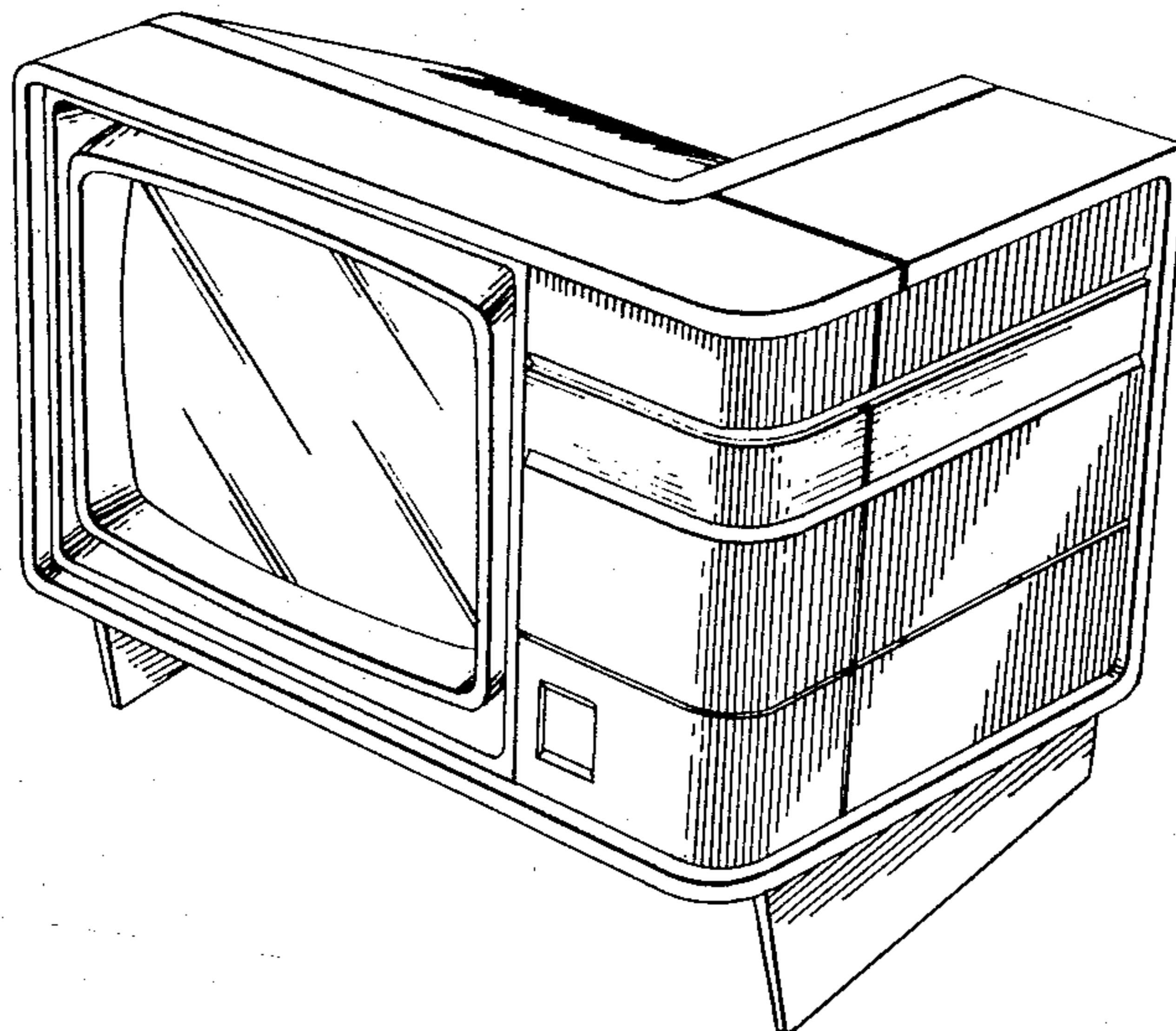
Primary Examiner—Susan J. Lucas
Attorney, Agent, or Firm—Woodcock, Washburn, Kurtz, Mackiewicz & Norris

[57] CLAIM

The ornamental design for display cabinet for CRT, as shown.

DESCRIPTION

FIG. 1 is a perspective view of the display cabinet for CRT showing my new design;
FIG. 2 is a front view of the cabinet;
FIG. 3 is a top view of the cabinet;
FIG. 4 is a rear view of the cabinet;
FIG. 5 is a right-hand side view of the cabinet;
FIG. 6 is a left-hand side view of the cabinet.



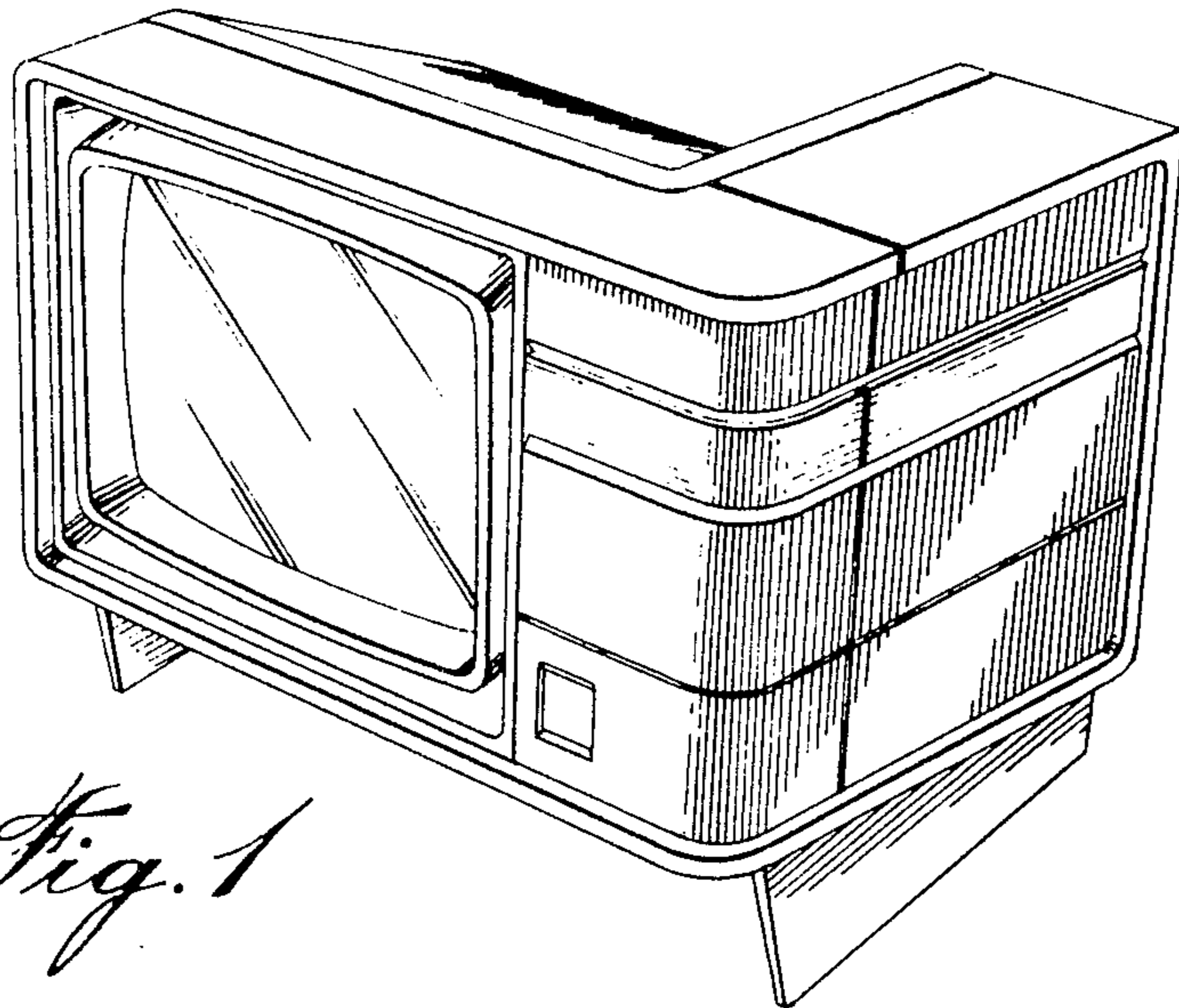


Fig. 1

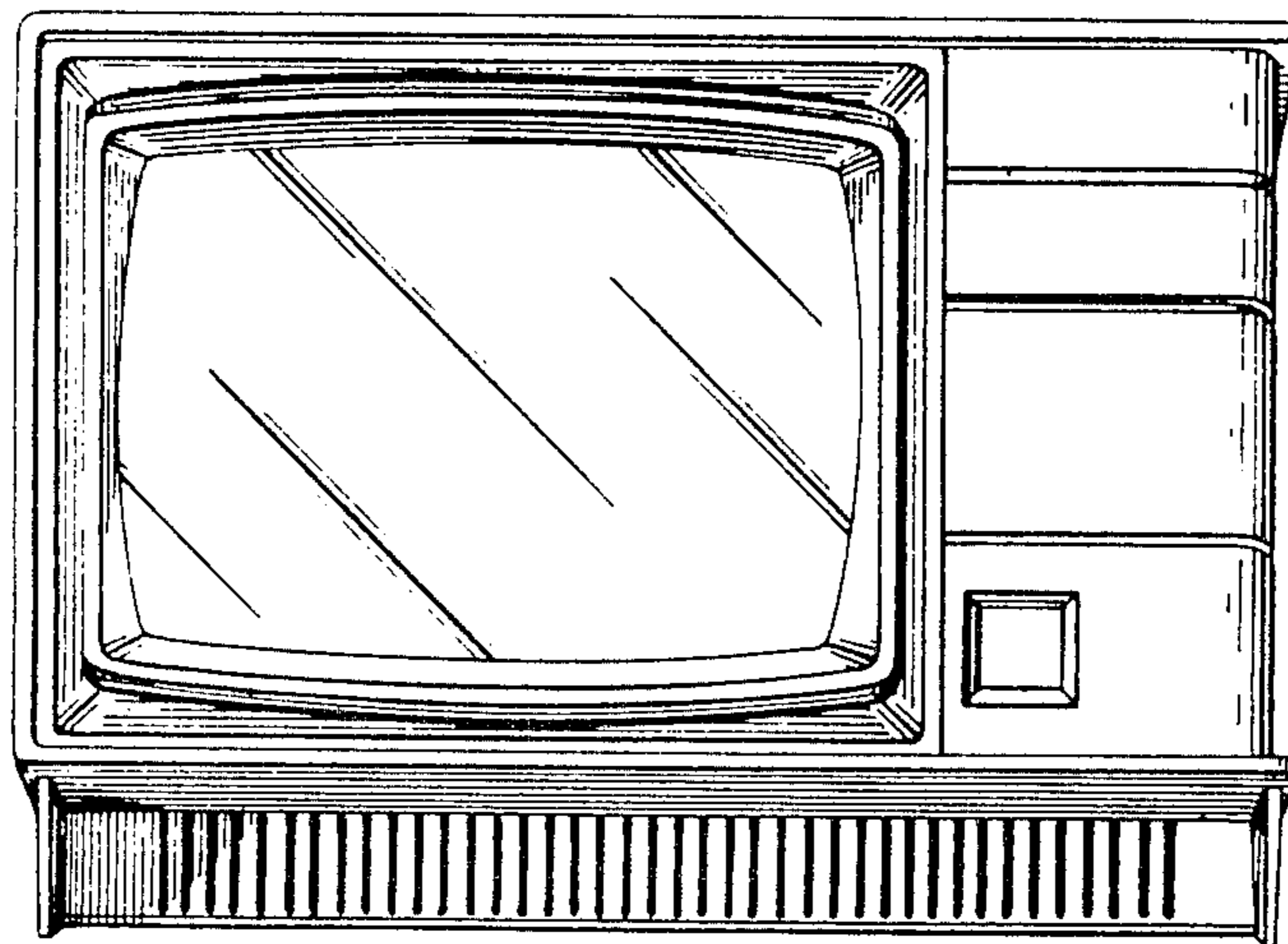


Fig. 2

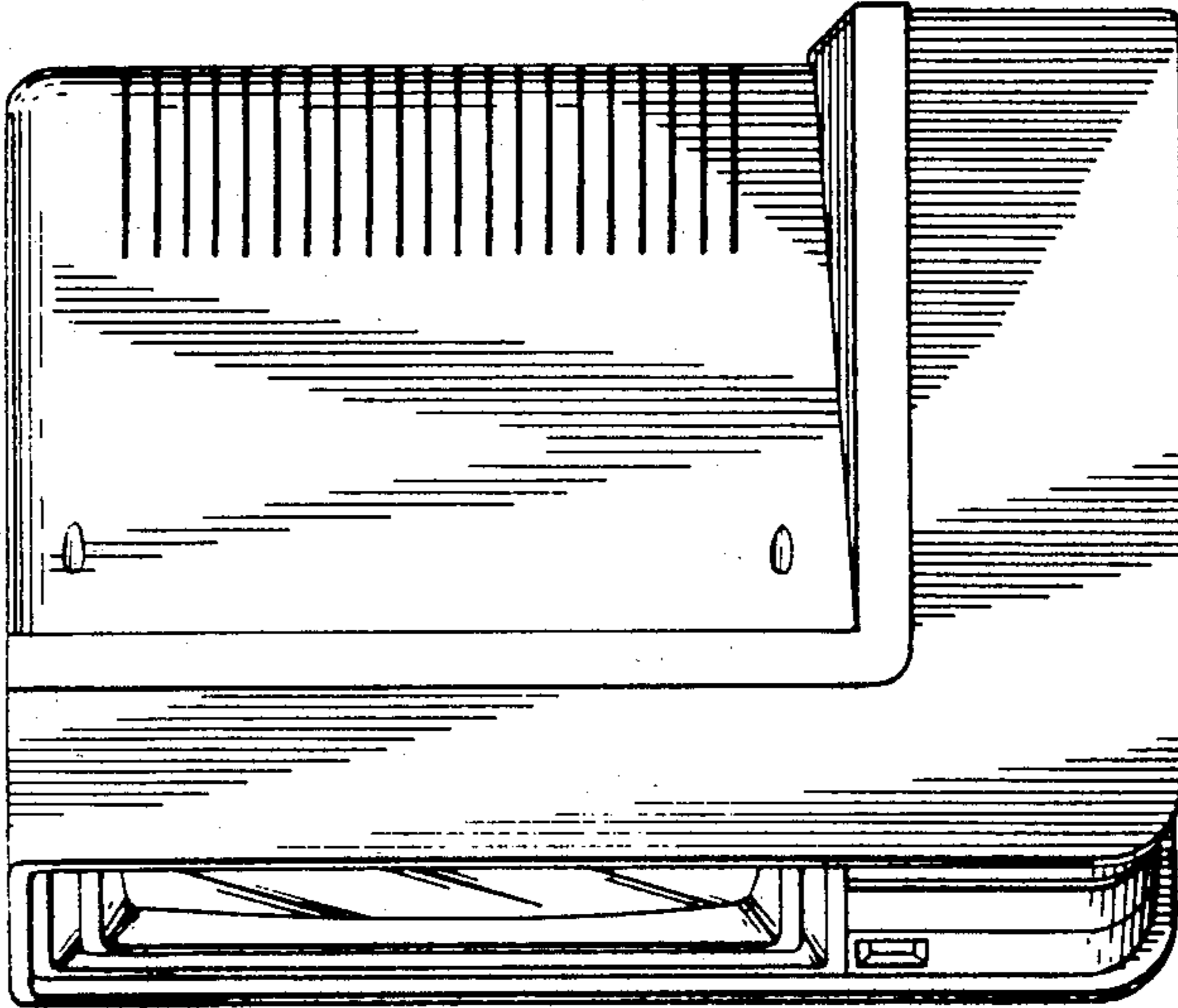


Fig. 3

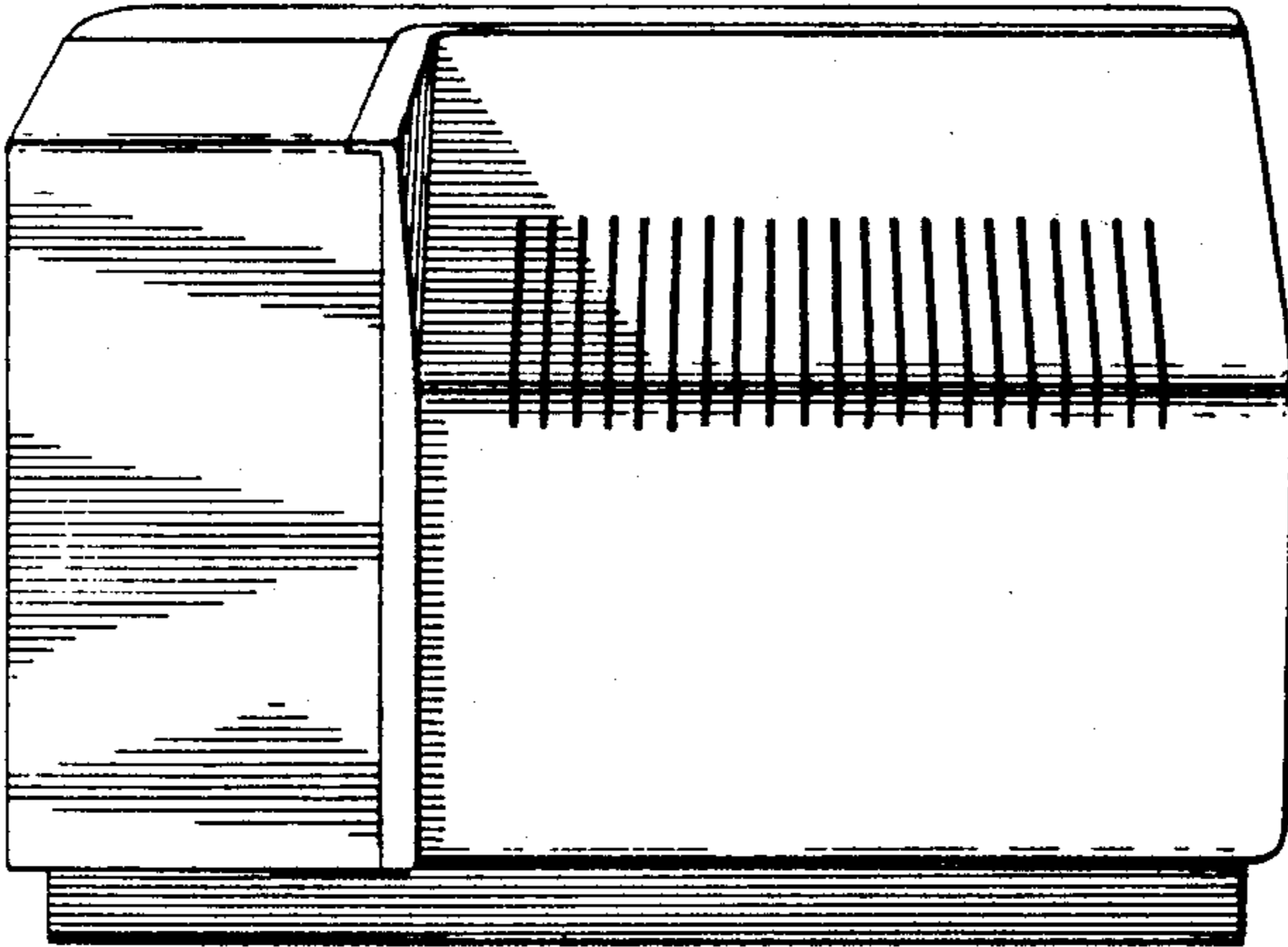


Fig. 4

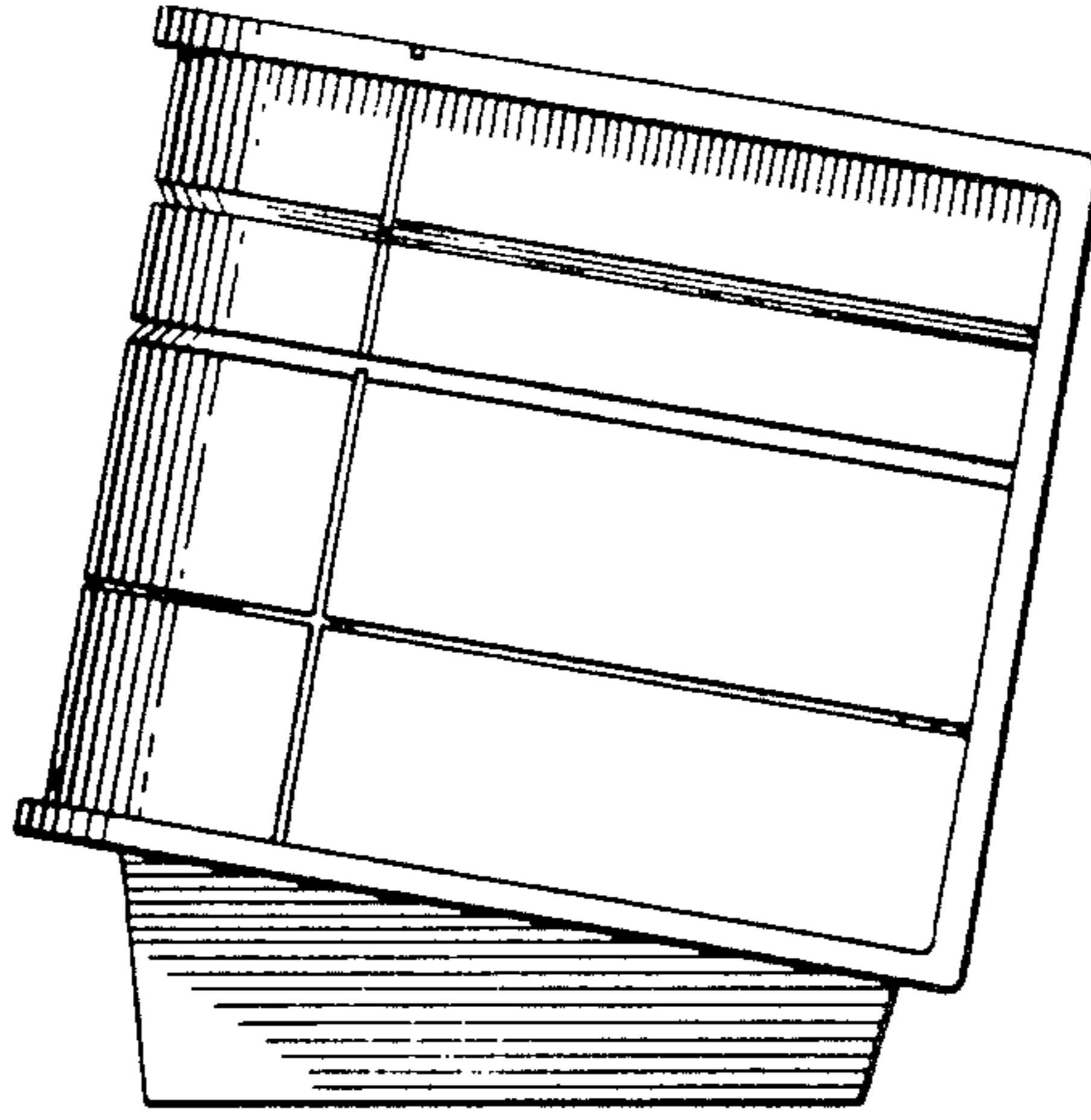


Fig. 5

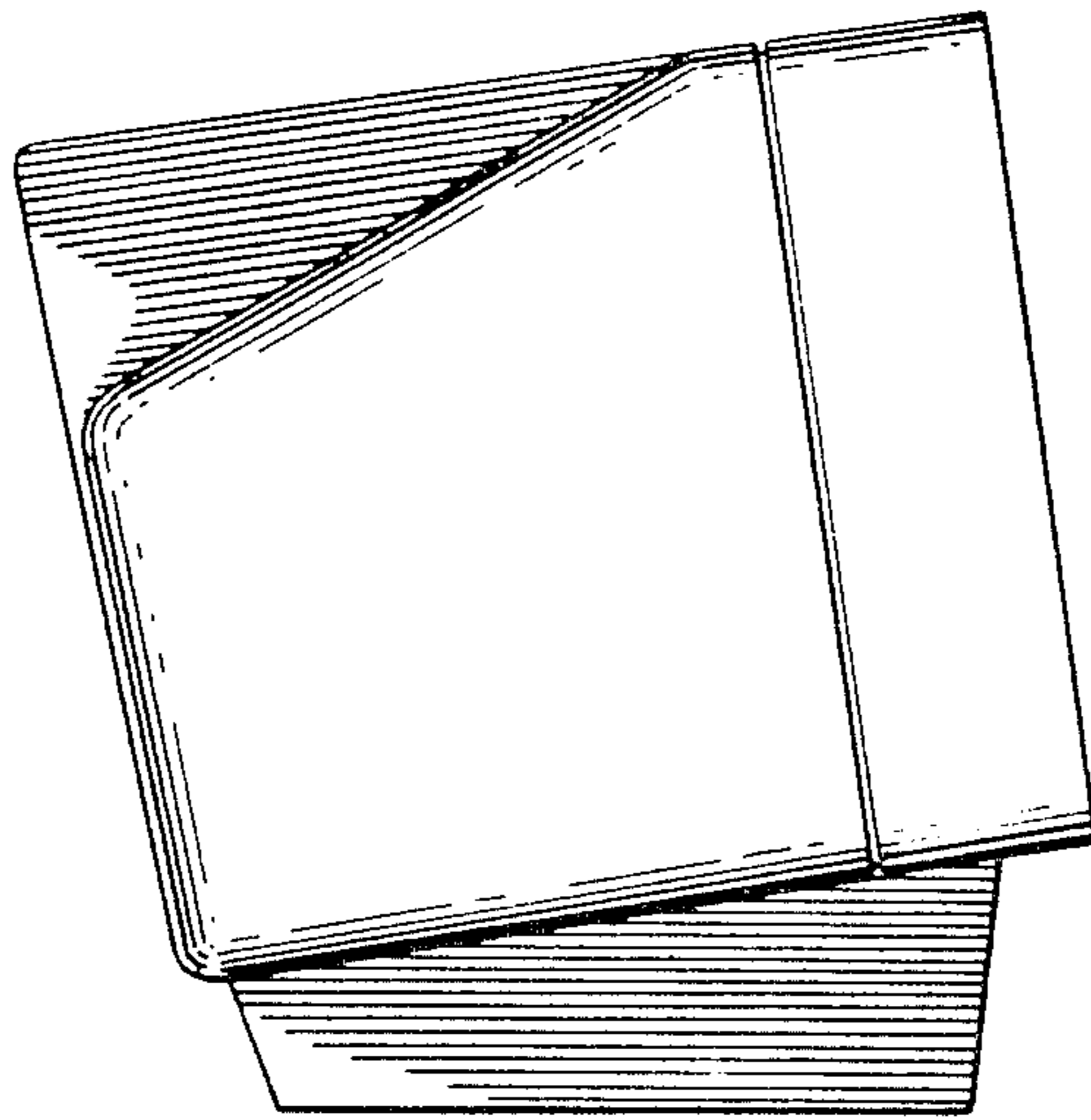


Fig. 6