

[54] MULTIPLE OUTLET STRIP

[75] Inventors: James D. Kovacik, Parma; Thomas J. Blanch, Maple Heights; Paul S. Blanch, Garfield Heights; James W. Kovacik, Parma, all of Ohio

[73] Assignee: Alert Safety Lite Products Co., Bedford Heights, Ohio

[\*\*] Term: 14 Years

[21] Appl. No.: 431,748

[22] Filed: Sep. 30, 1982

[52] U.S. Cl. .... D13/30

[58] Field of Search ..... D13/27, 28, 29, 30; 174/53, 58; 339/22 R, 21 R, 23, 164, 147 R

[56] References Cited

U.S. PATENT DOCUMENTS

D. 217,251	4/1970	Kahn	.....	D13/30
2,222,701	11/1940	Benander	.....	339/157 R
3,049,688	8/1962	Sinopoli	.....	339/157 R X

OTHER PUBLICATIONS

Radio & TV News; Aug. 1957; p. 127; C.B.C. Electronics Co., Ad/Multiple Outlet Box. Cole—Parmer Instruments Co.; Jan. 1966; p. 16; Developments: #1577, "Pilot Strip".

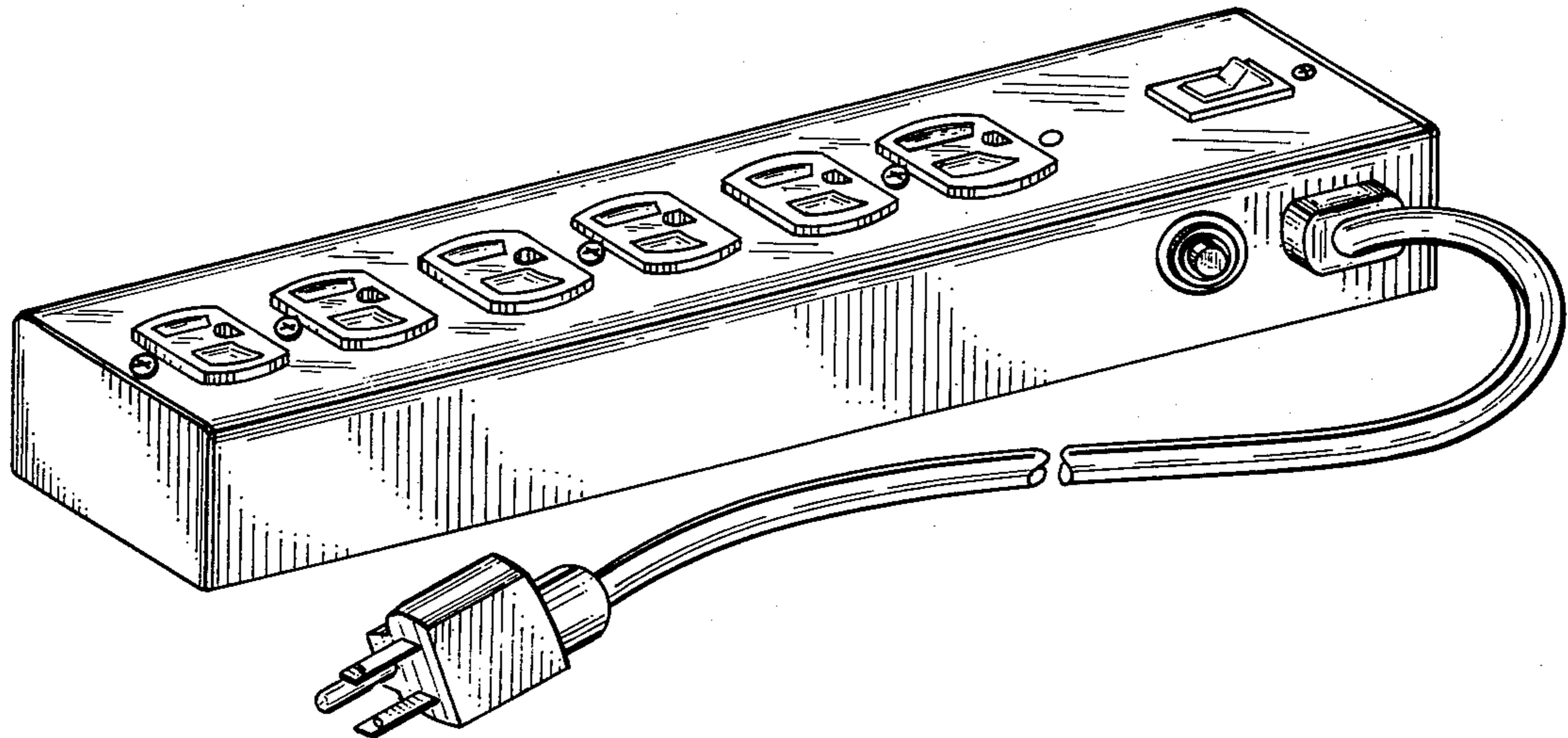
Primary Examiner—Susan J. Lucas  
Assistant Examiner—C. E. Heflin  
Attorney, Agent, or Firm—Fraser & Clemens

[57] CLAIM

The ornamental design for a multiple outlet strip, as shown.

DESCRIPTION

FIG. 1 is a perspective view of a multiple outlet strip embodying our new design;  
FIG. 2 is a top plan view thereof;  
FIG. 3 is a front elevational view thereof;  
FIG. 4 is a rear elevational view thereof;  
FIG. 5 is a side elevational view of one side thereof;  
FIG. 6 is a side elevational view of another side thereof;  
and  
FIG. 7 is a bottom plan view thereof.



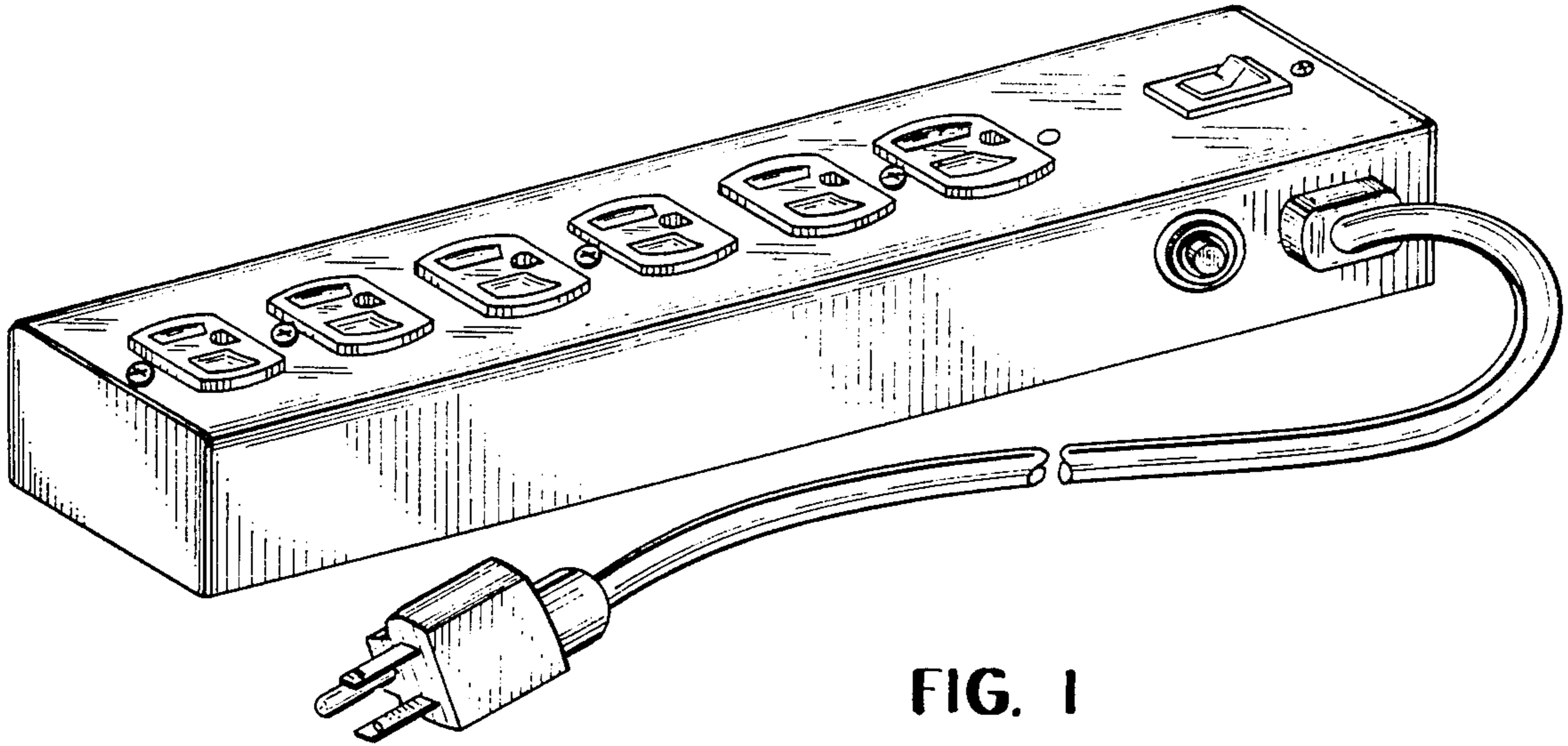


FIG. 1

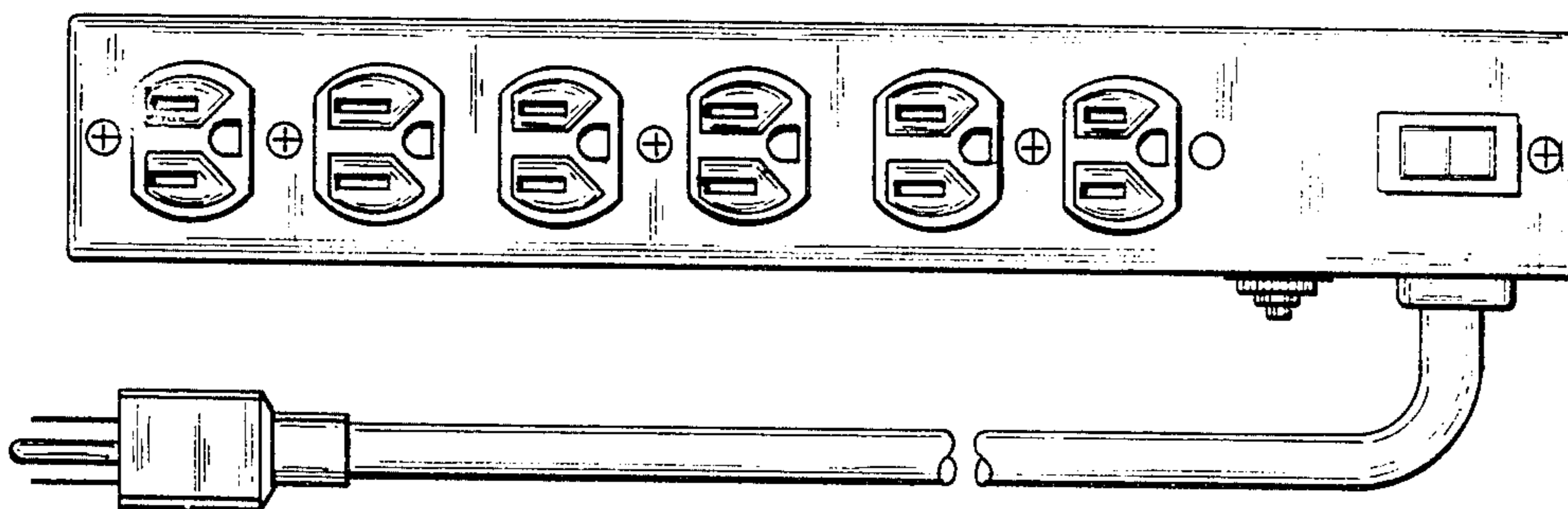


FIG. 2

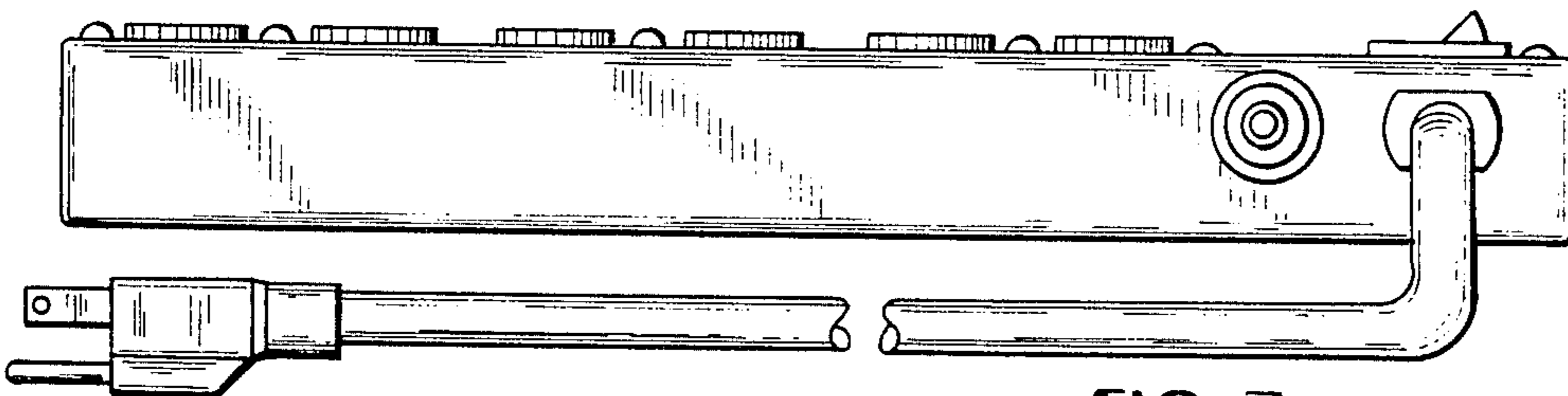


FIG. 3

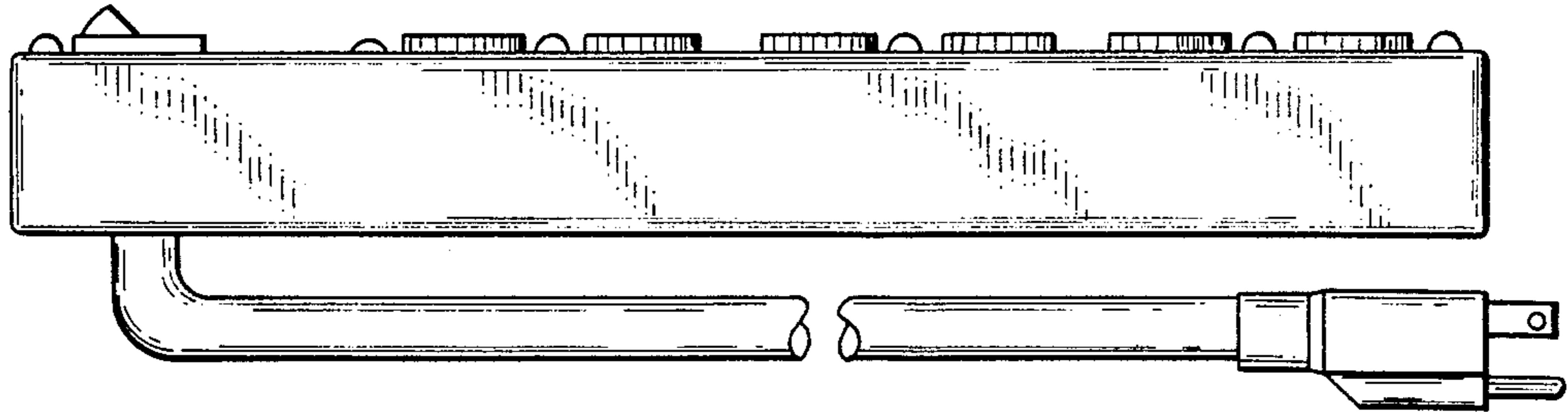


FIG. 4

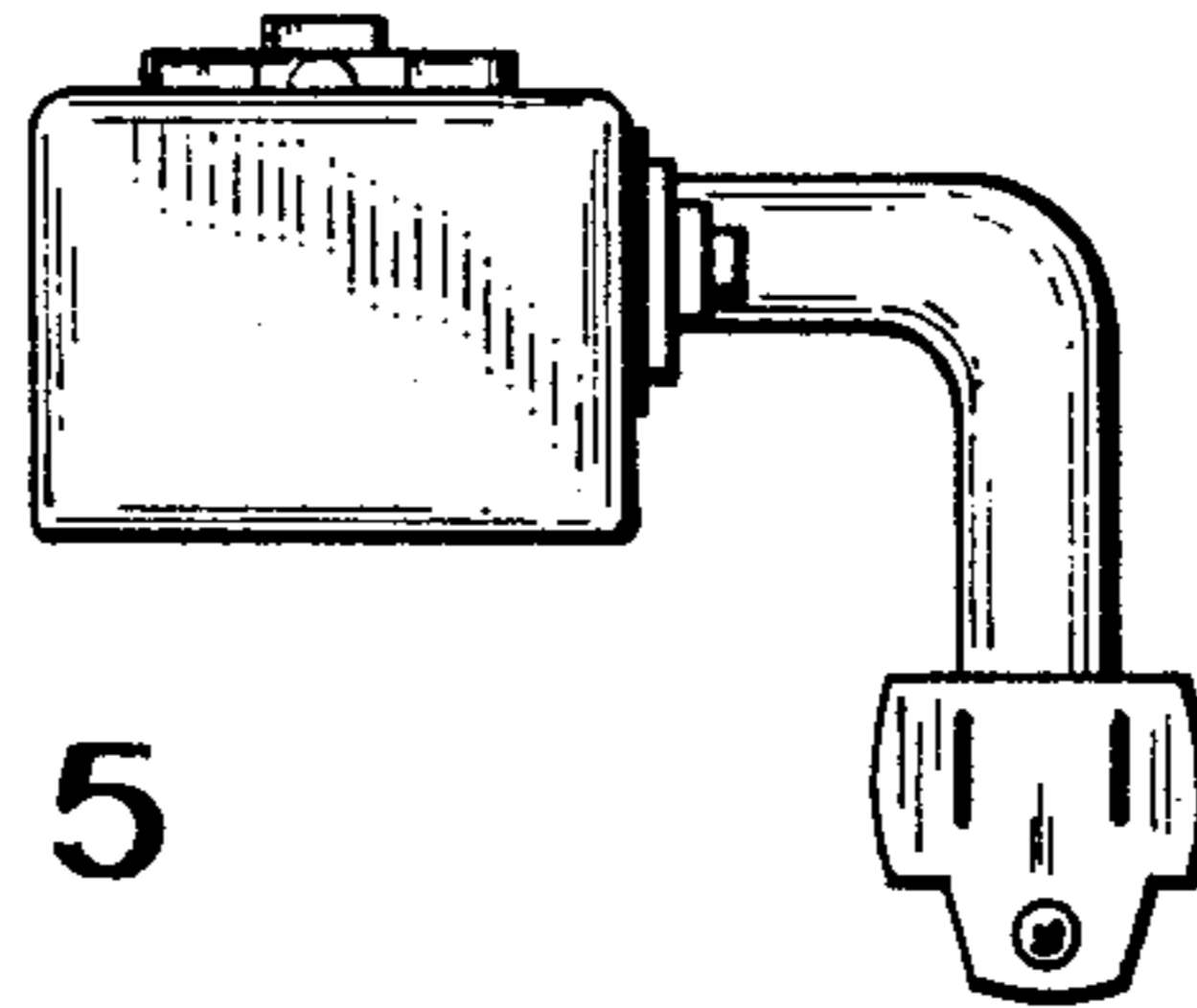


FIG. 5

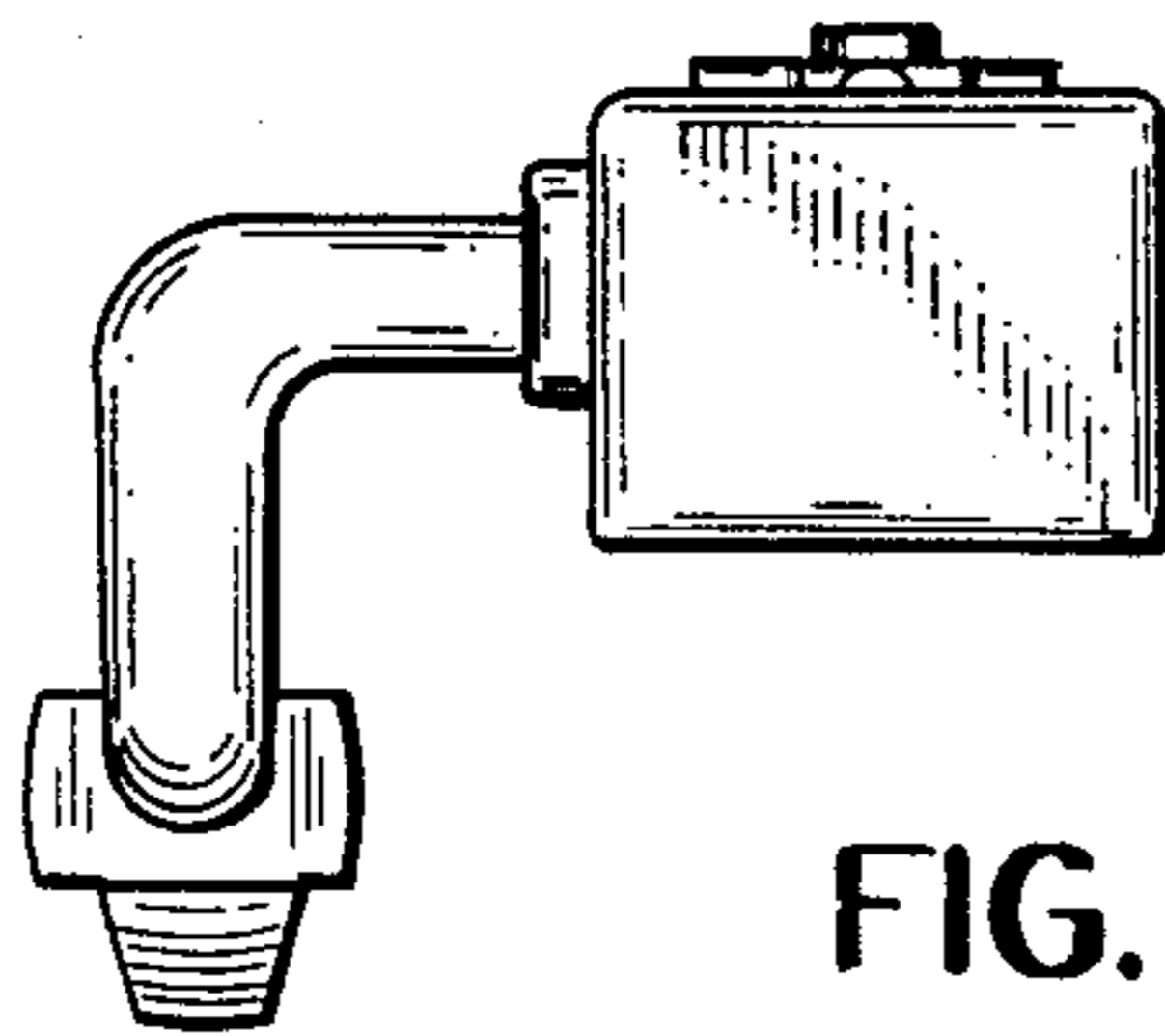


FIG. 6

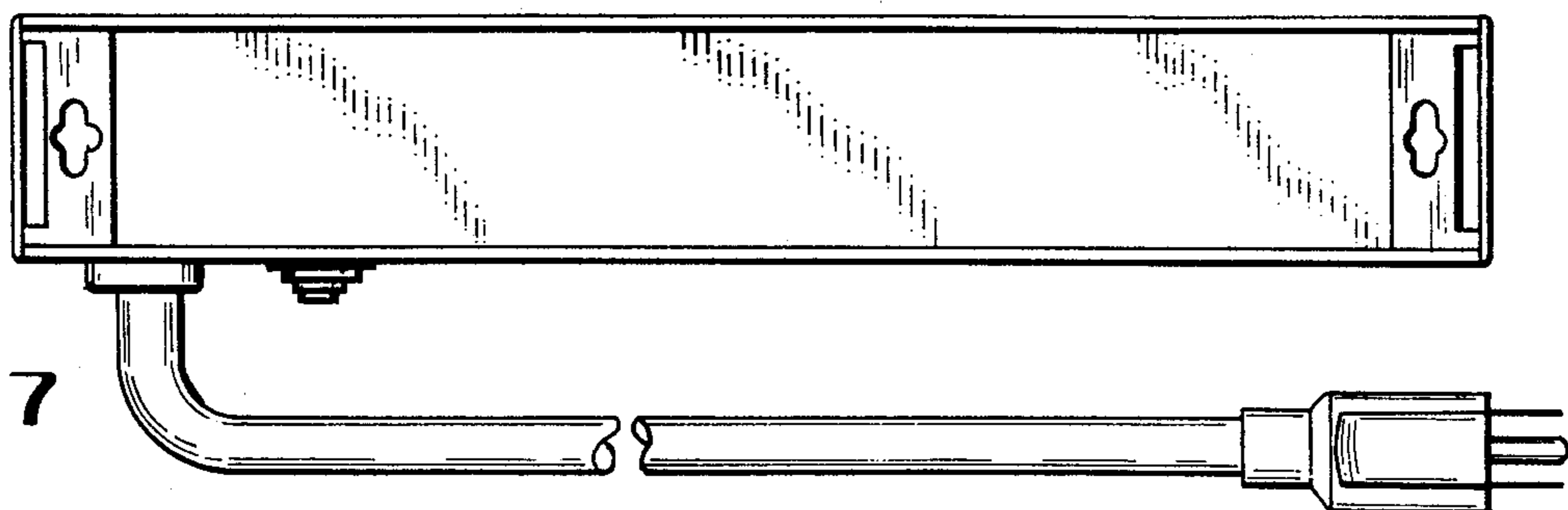


FIG. 7