

[54] SIREN

[75] Inventor: Kazuo Mikami, Matsudo, Japan

[73] Assignee: Kobishi Electric Co., Ltd., Japan

[**] Term: 14 Years

[21] Appl. No.: 562,703

[22] Filed: Dec. 19, 1983

[52] U.S. Cl. D10/120

[58] Field of Search D10/116, 119, 120;
340/384 R, 404, 405; 116/137, 142, 147

[56] References Cited

U.S. PATENT DOCUMENTS

D. 269,417	6/1983	Shintaku	D10/120
D. 275,843	10/1984	Sharenow	D10/120
1,351,904	9/1920	Hartman	116/137 R
1,746,437	2/1930	Giles	340/405
2,017,132	10/1935	Ricci	340/405
4,171,677	10/1979	Hibell	116/142 R

OTHER PUBLICATIONS

Yankee Emergency Equipment, 1979, p. 21, Speakers all on the page.

Sireno, 1979, p. 5, Siren Speakers #44860, in lower left corner.

Primary Examiner—B. J. Bullock

Assistant Examiner—Suzanne N. Gitlin

Attorney, Agent, or Firm—Darby & Darby

[57] CLAIM

The ornamental design for a siren, as shown.

DESCRIPTION

FIG. 1 is a front view of a siren showing my new design;

FIG. 2 is a side elevational view thereof;

FIG. 3 is a rear elevational view thereof;

FIG. 4 is a top plan view thereof;

FIG. 5 is a reduced perspective view thereof.

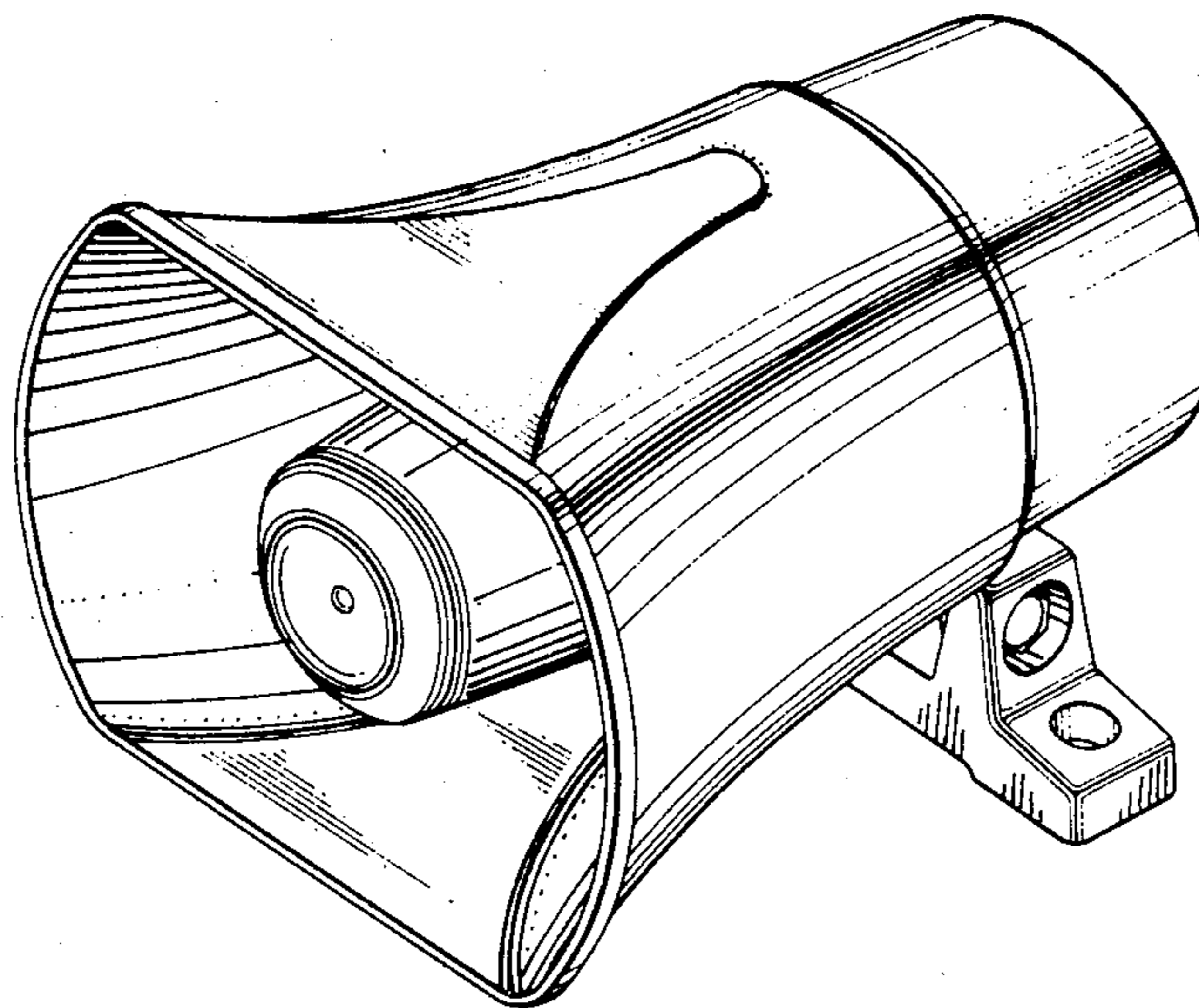


FIG. 1

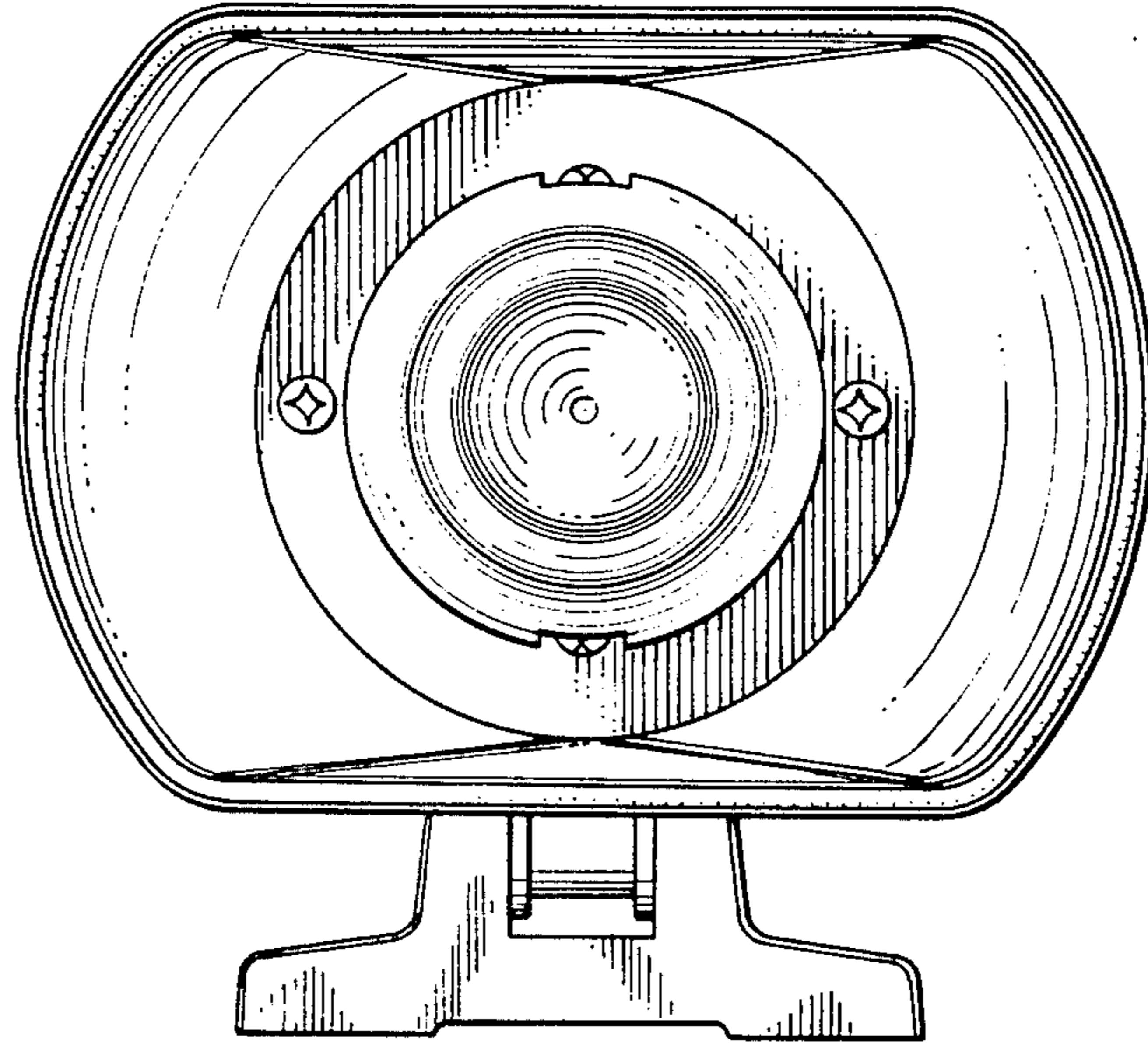


FIG. 2

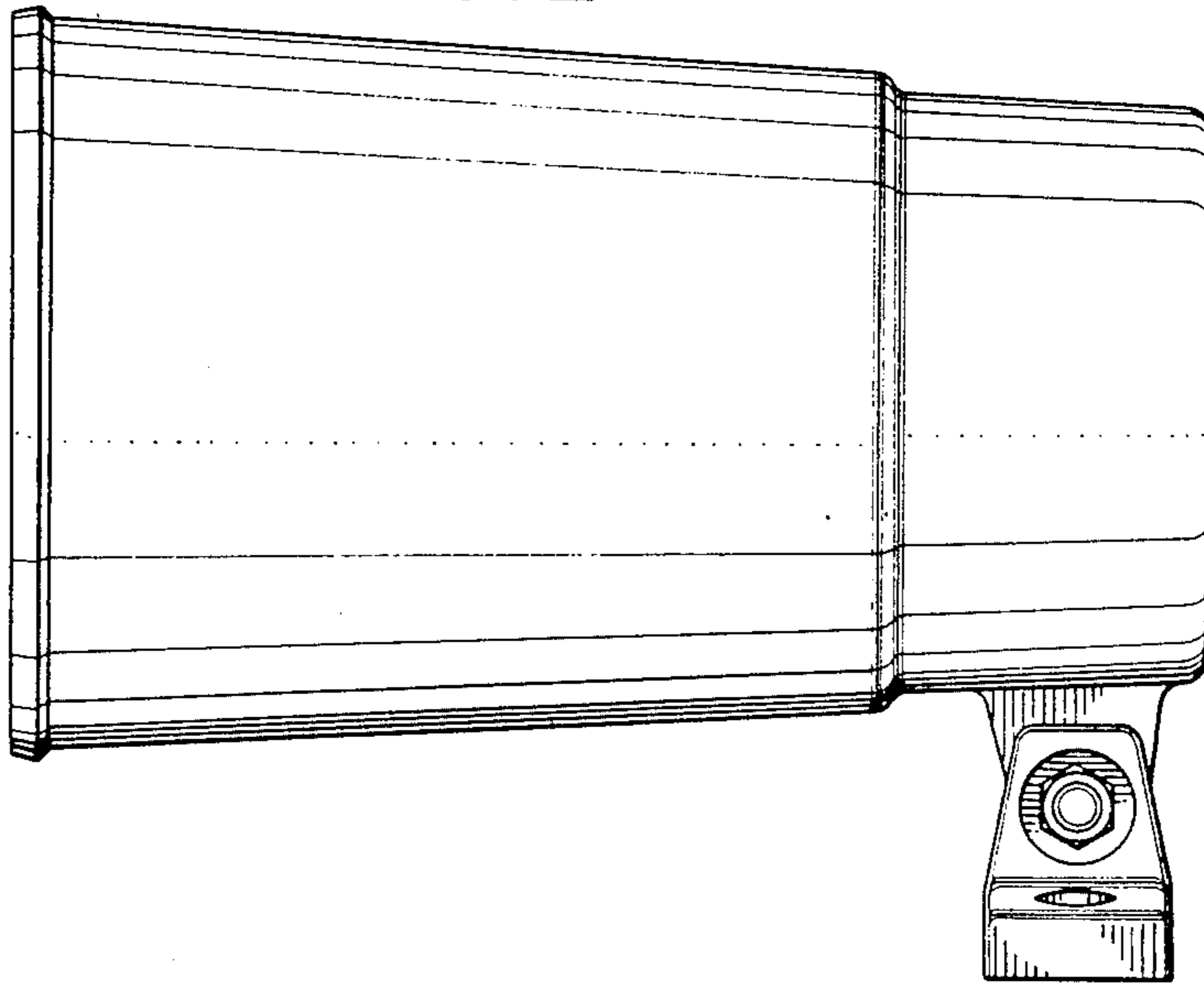


FIG. 3

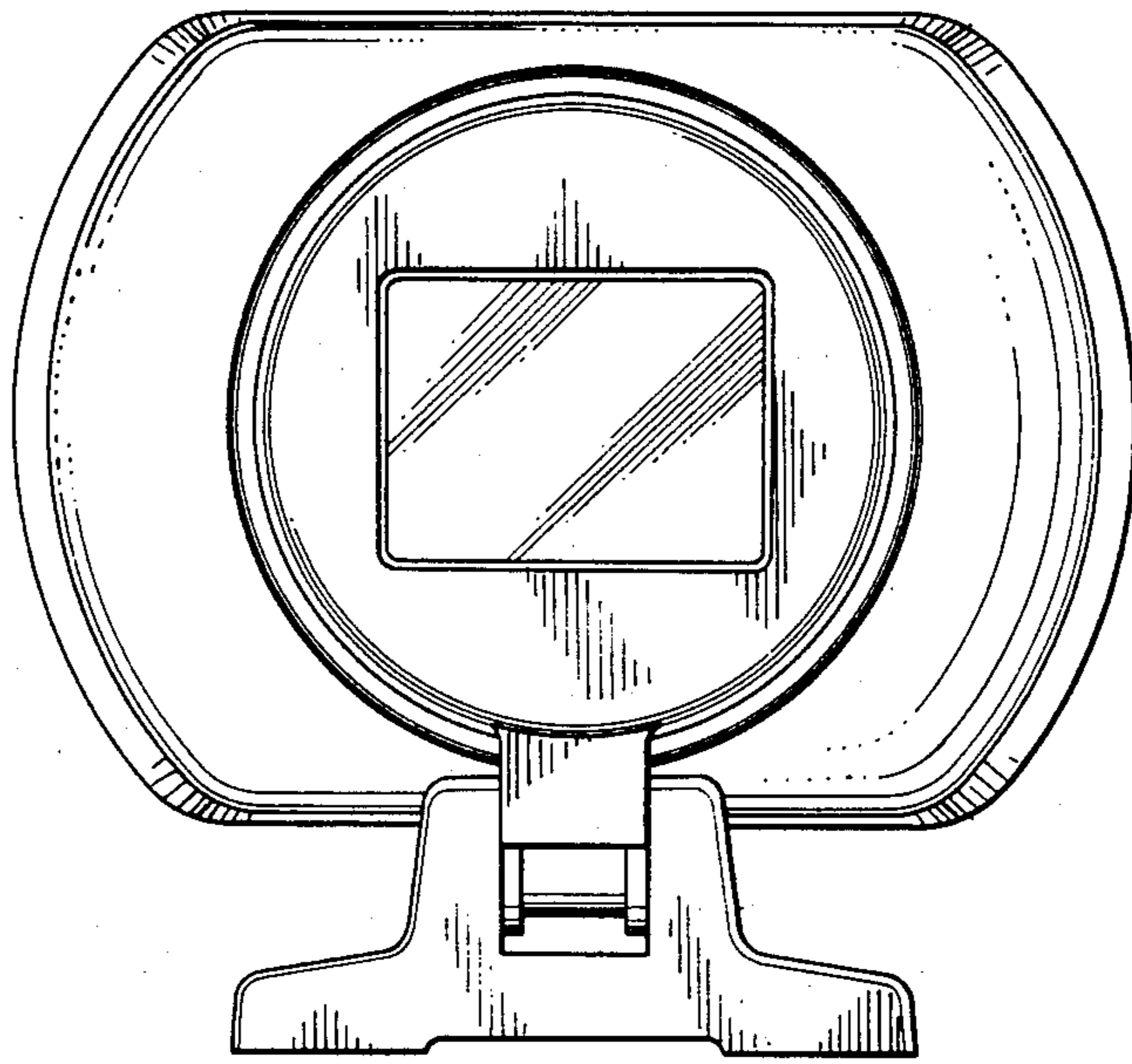


FIG. 4

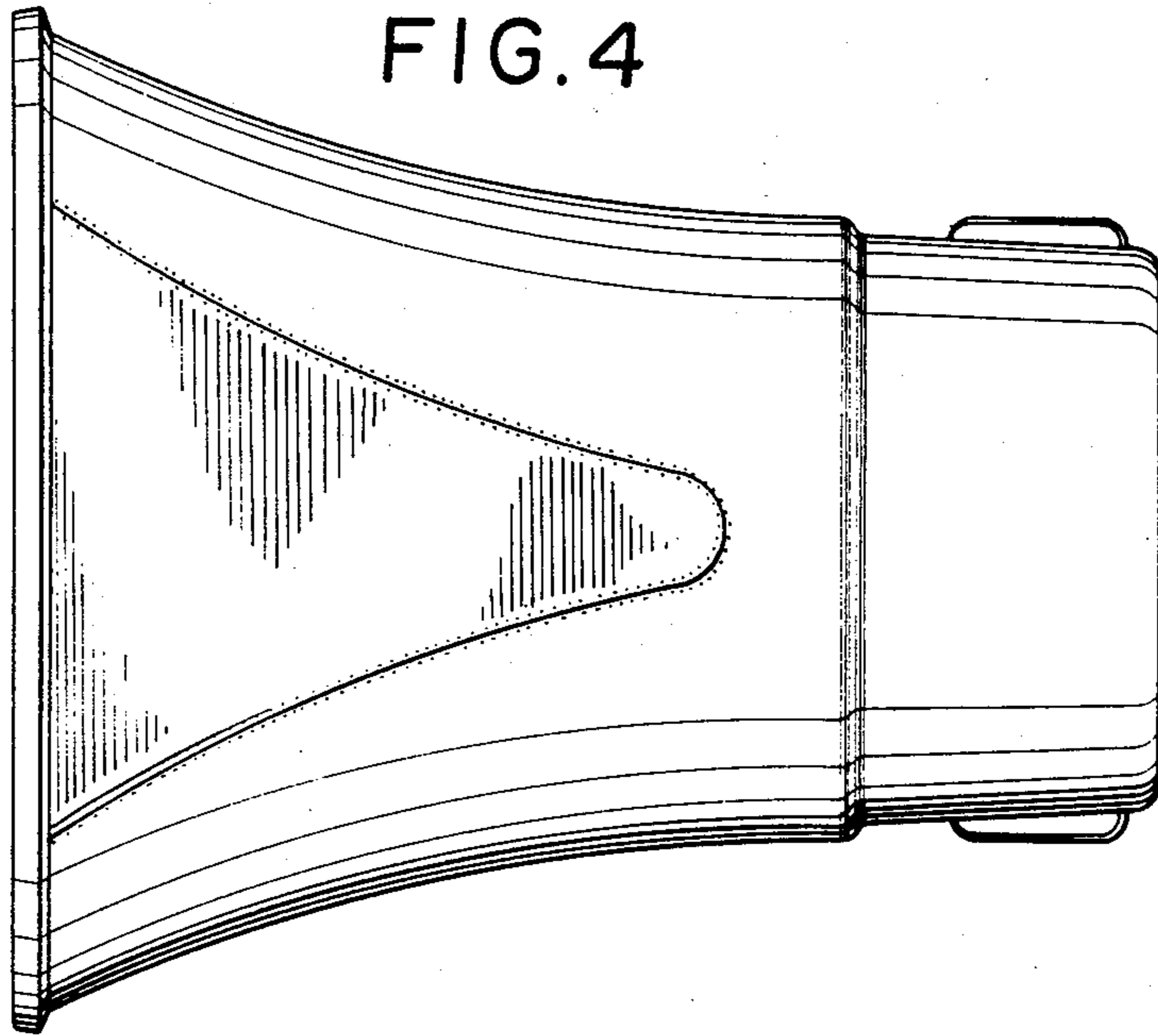


FIG. 5

