

[54] FOOD STEAMING POT

[75] Inventors: Richard T. Eyck, Wichita, Kans.; Robert W. Fee, Ransom Canyon, Tex.; Richard J. Robbins, Derby; Shau-Min Liu, Wichita, both of Kans.

[73] Assignee: Rival Manufacturing Company, Kansas City, Mo.

[**] Term: 14 Years

[21] Appl. No.: 477,007

[22] Filed: Mar. 21, 1983

[52] U.S. Cl. D7/354

[58] Field of Search D7/354, 360, 21, 18, D7/355; 126/348, 369; 220/4 B

[56] References Cited

U.S. PATENT DOCUMENTS

D. 113,632	3/1939	Howlett	D7/360
D. 230,935	3/1974	Lloveras	D7/360
607,759	7/1898	Mathy	220/4 B
907,154	12/1908	Lewis et al.	220/4 B

925,781	6/1909	Mathy	220/4 B
1,608,395	11/1926	Hensel et al.	126/369
2,131,663	9/1938	Hughes	D7/360 X

OTHER PUBLICATIONS

Gifts and Decorative Accessories, 1-1977, p. 63, Oval Cooking Pot, far right rear of display.
Better Homes and Gardens, 6-1976, p. 218, Oval Cooking Pot, far left rear of display.

Primary Examiner—Bernard Ansher
Assistant Examiner—Linda Titolo
Attorney, Agent, or Firm—William, Brinks, Olds, Hofer, Gilson & Lione, Ltd.

[57] CLAIM

The ornamental design for a food steaming pot, substantially as shown.

DESCRIPTION

FIG. 1 is a front perspective view of a food steaming pot showing our new design; FIG. 2 is a top plan view thereof; FIG. 3 is a rear elevational view thereof; FIG. 4 is a right side elevational view thereof; and FIG. 5 is a bottom plan view thereof.

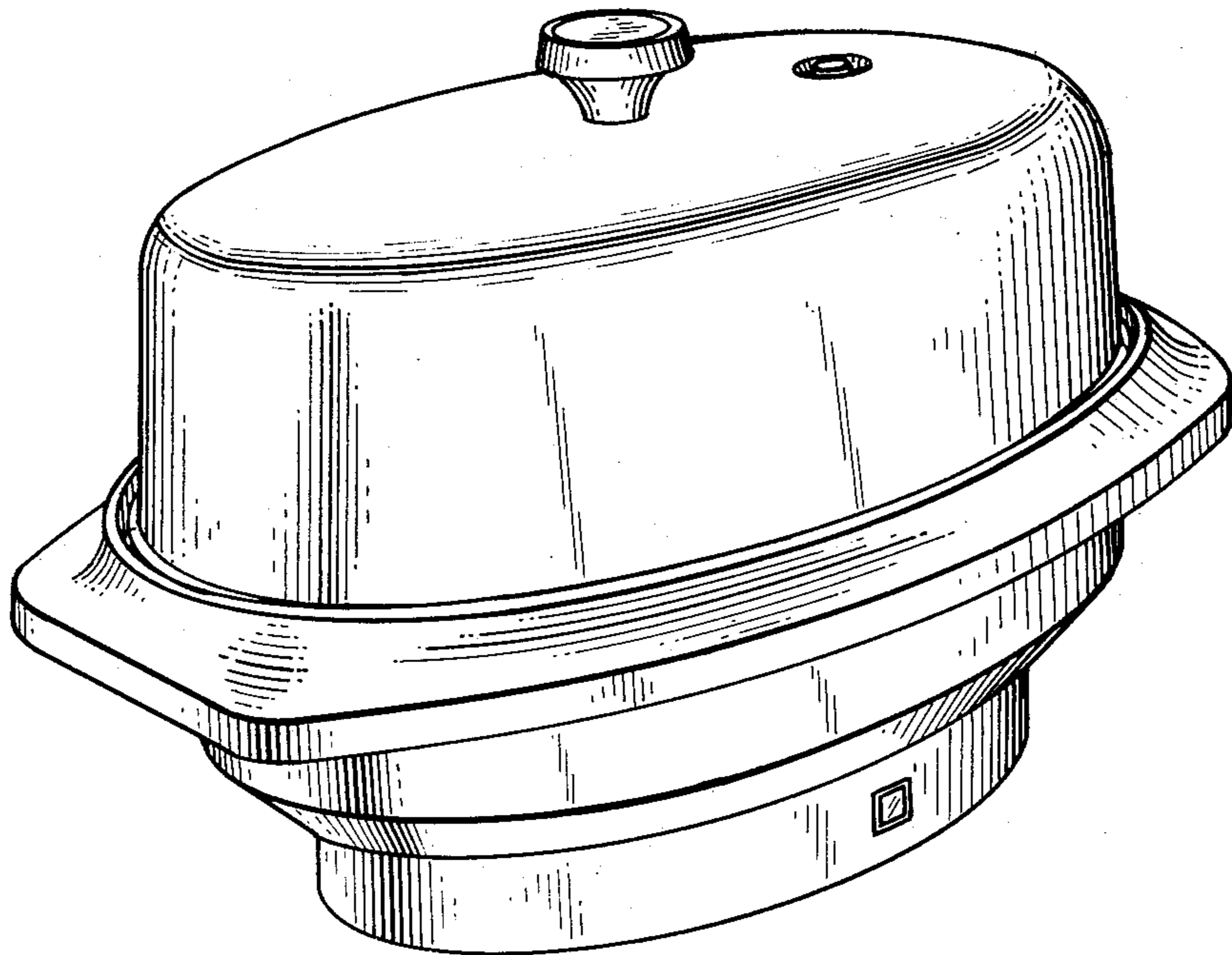


FIG. 1

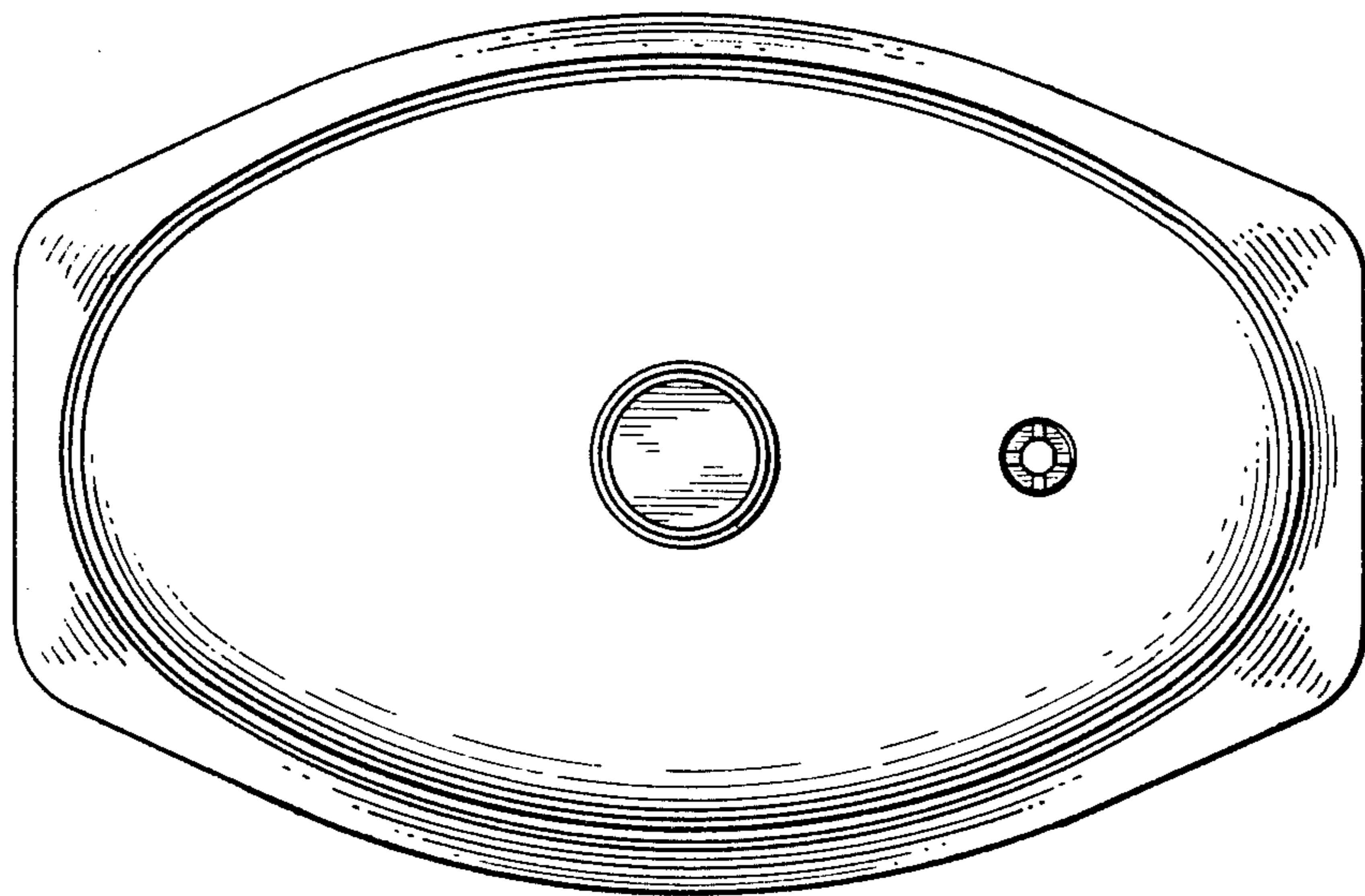
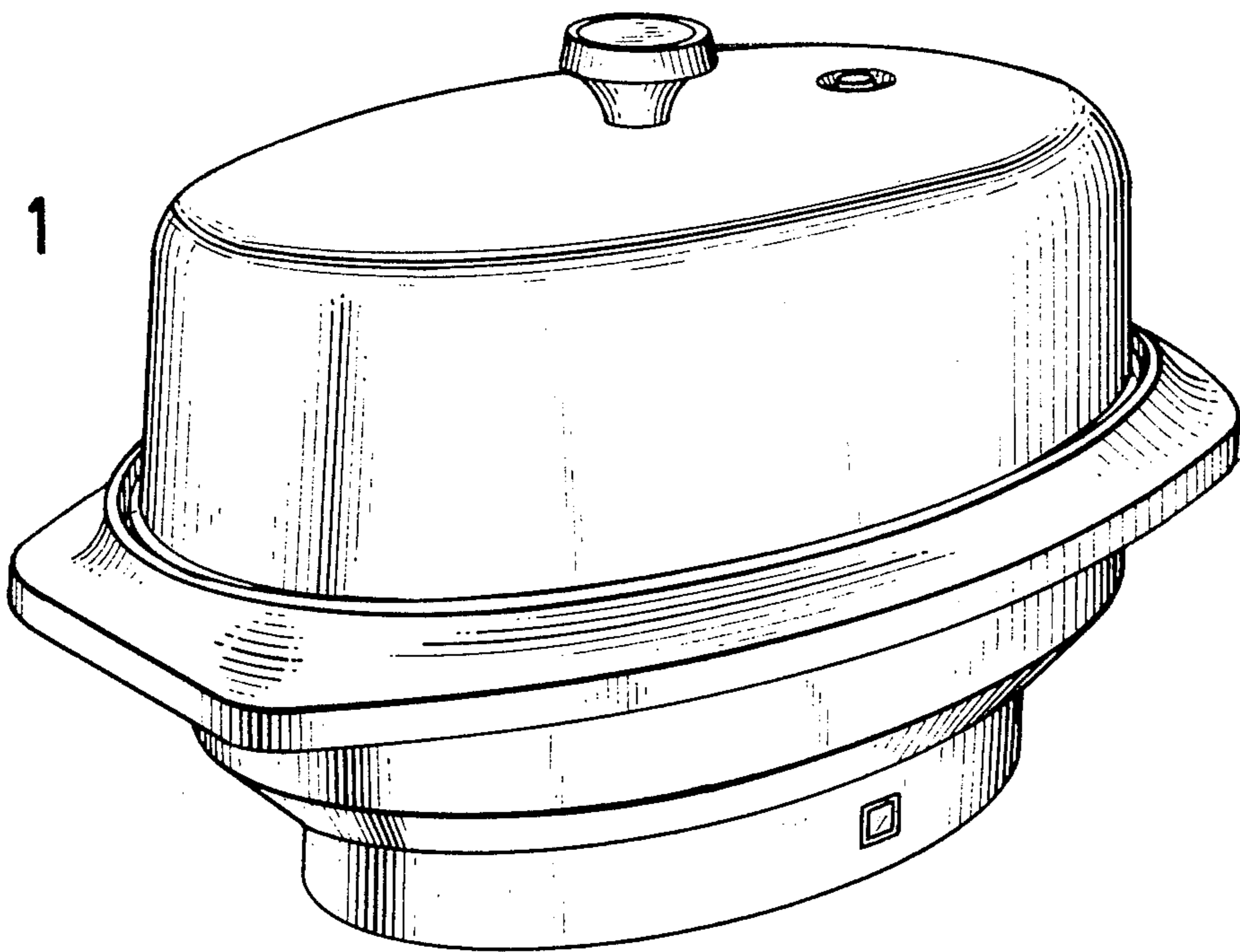


FIG. 2

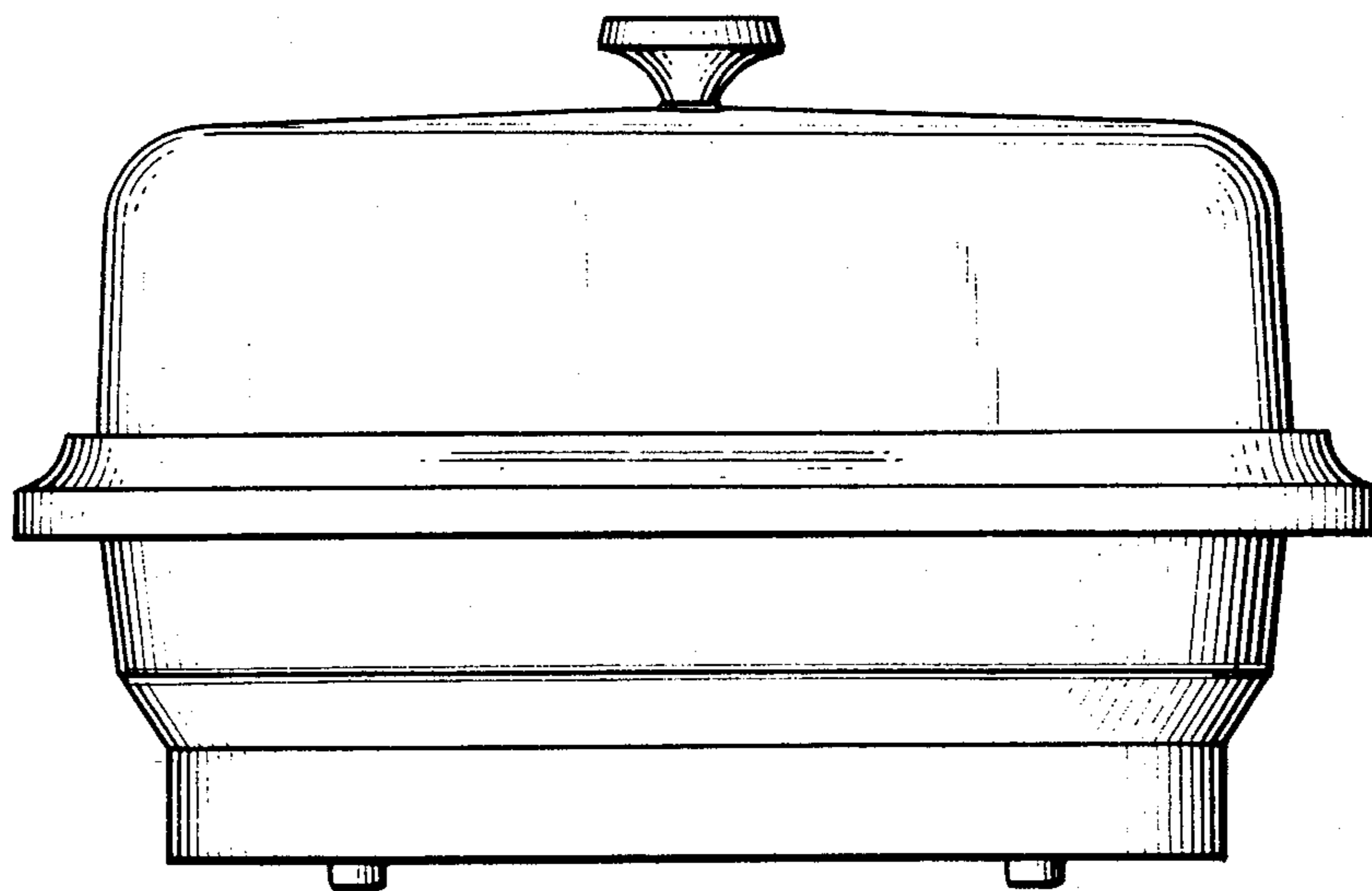


FIG. 3

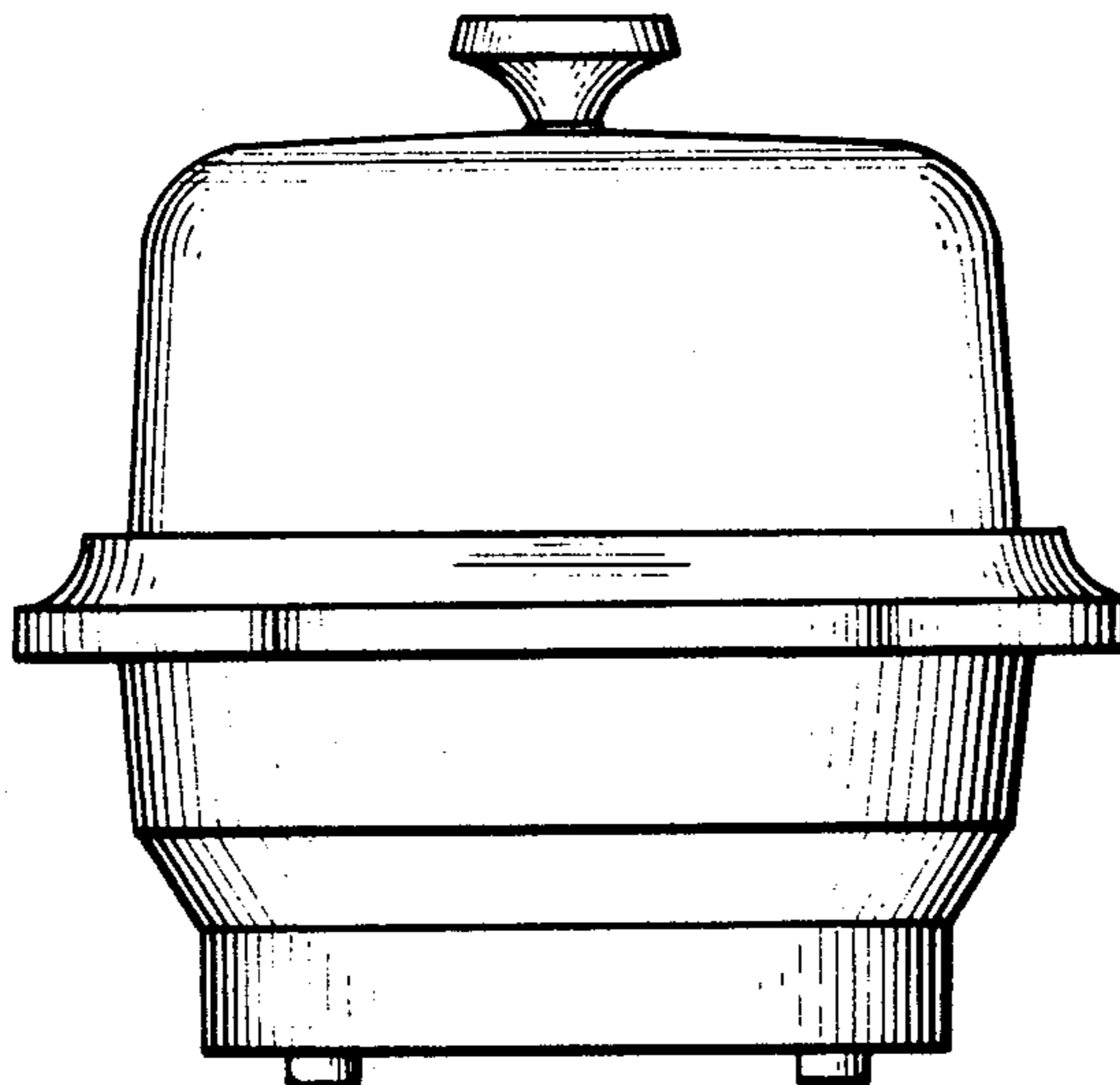


FIG. 4

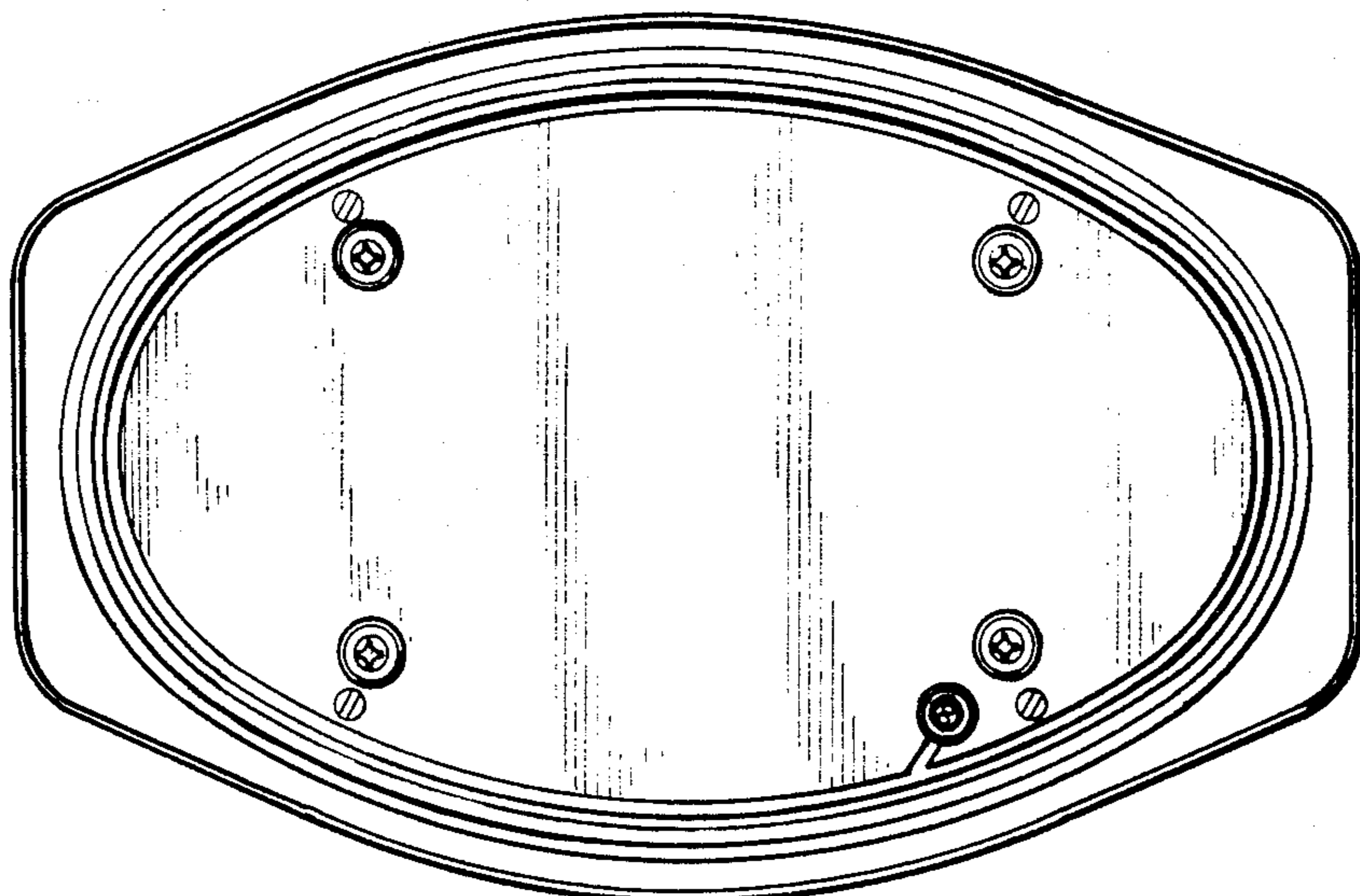


FIG. 5