

[54] BAKER'S OVEN

[75] Inventor: Paul E. Willett, Clontarf, Australia

[73] Assignee: Baker Perkins Exports Pty. Ltd.,
Springvale, Australia

[**] Term: 14 Years

[21] Appl. No.: 549,913

[22] Filed: Nov. 9, 1983

[30] Foreign Application Priority Data

May 31, 1983 [AU] Australia 3957/83

[52] U.S. Cl. D7/338

[58] Field of Search D7/323, 339, 347, 348;
126/1 R, 9 R, 273 R; 219/391-395

[56] References Cited

U.S. PATENT DOCUMENTS

D. 60,359	2/1922	Meacham	D7/348
D. 185,251	5/1959	Wilson	D7/338
D. 203,089	11/1965	Wilson	D7/348
D. 206,700	1/1967	Wilson	D7/338
894,967	8/1908	Middleby	126/9 R
957,748	5/1910	Coppridge	126/9 R

Primary Examiner—Wallace R. Burke
Assistant Examiner—Lynn Wilder
Attorney, Agent, or Firm—Kimmel, Crowell & Weaver

[57] CLAIM

The ornamental design for a baker's oven, as shown.

DESCRIPTION

FIG. 1 is a front perspective view of a baker's oven showing my new design;
FIG. 2 is a left side elevational view thereof;
FIG. 3 is a right side elevational view thereof;
FIG. 4 is a rear elevational view thereof; and
FIG. 5 is a top plan view thereof.

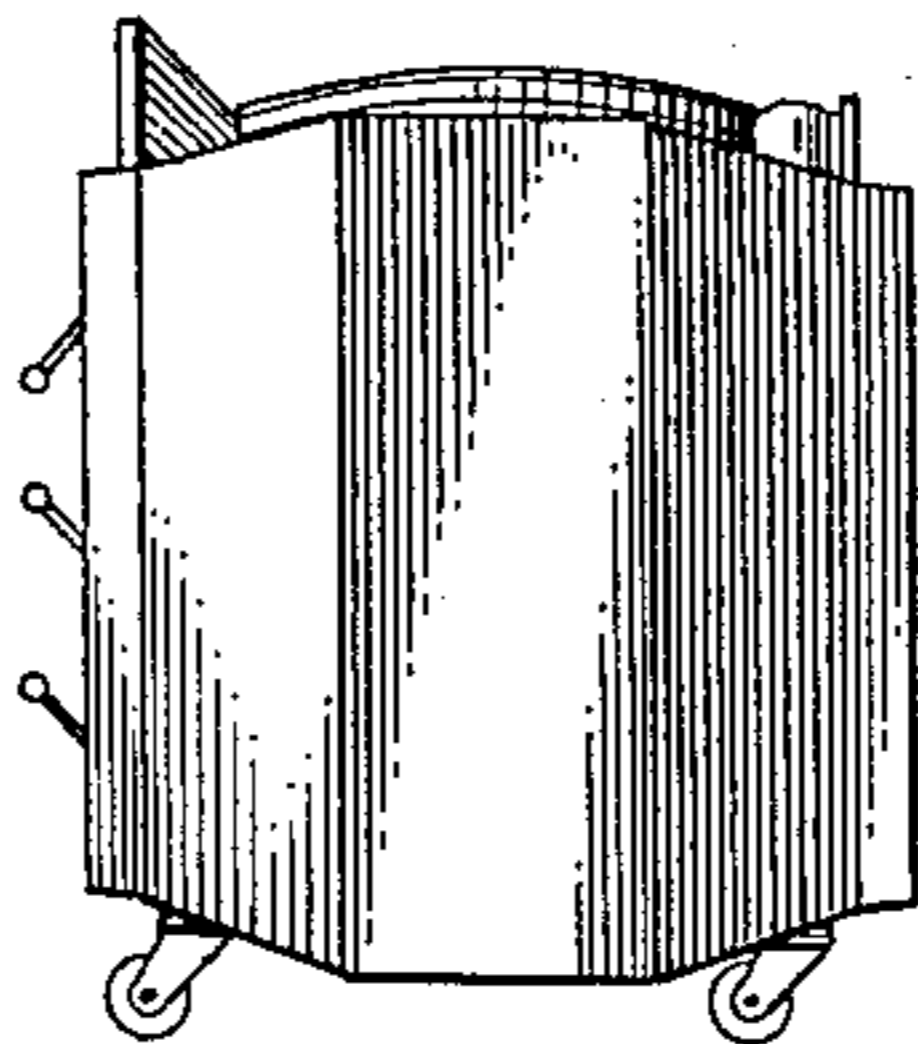
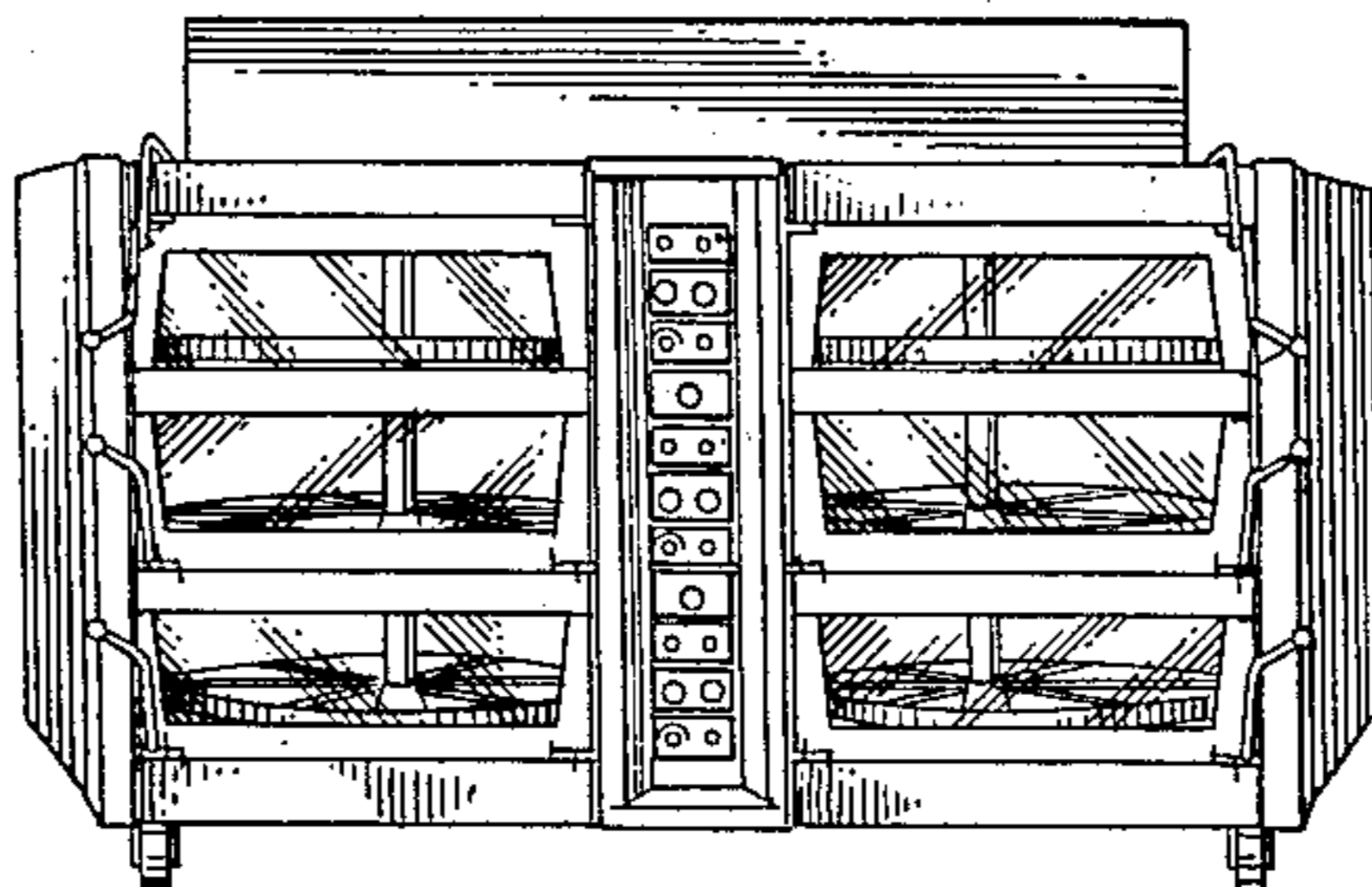


FIG. 1.

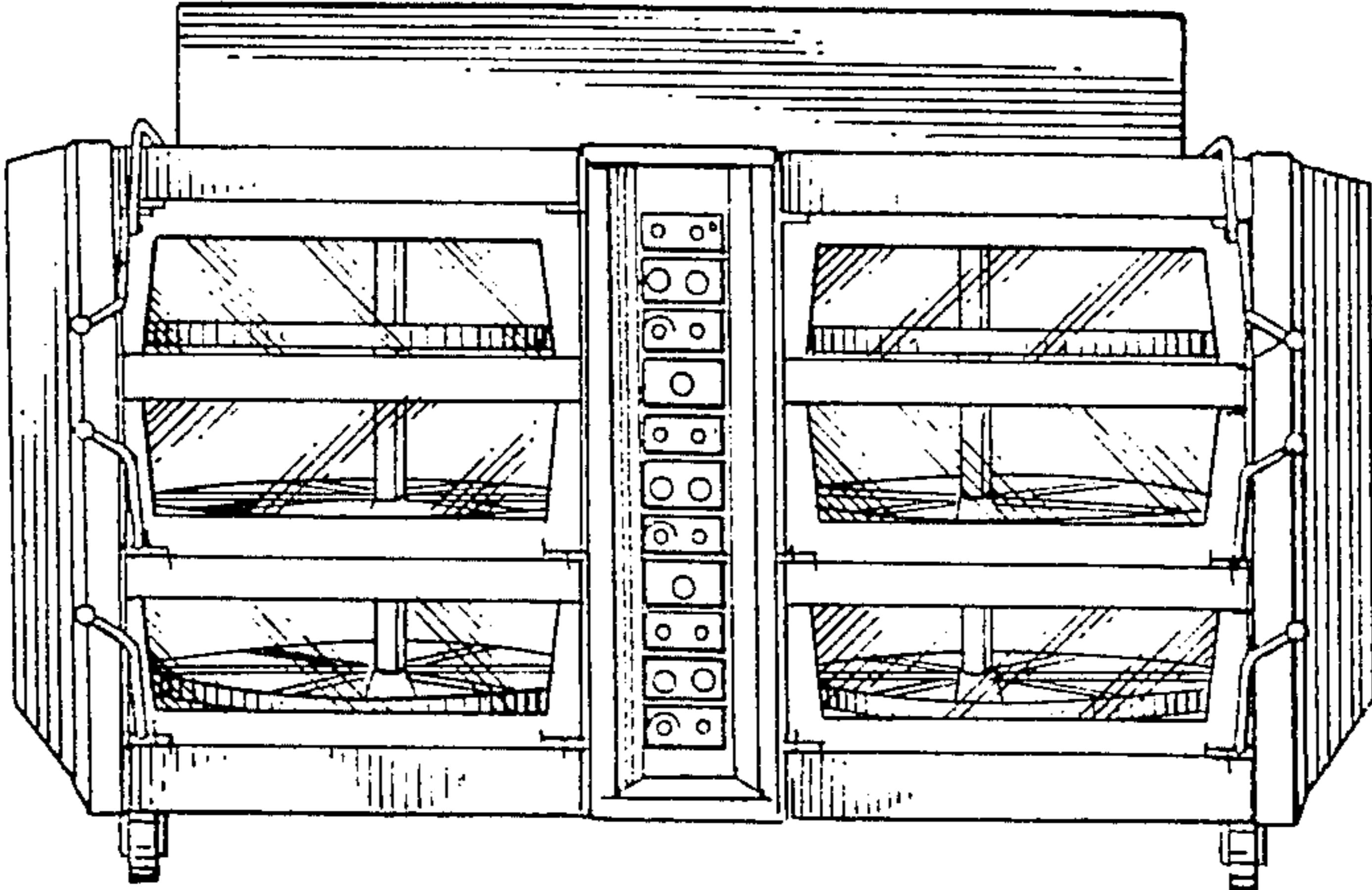


FIG. 2.

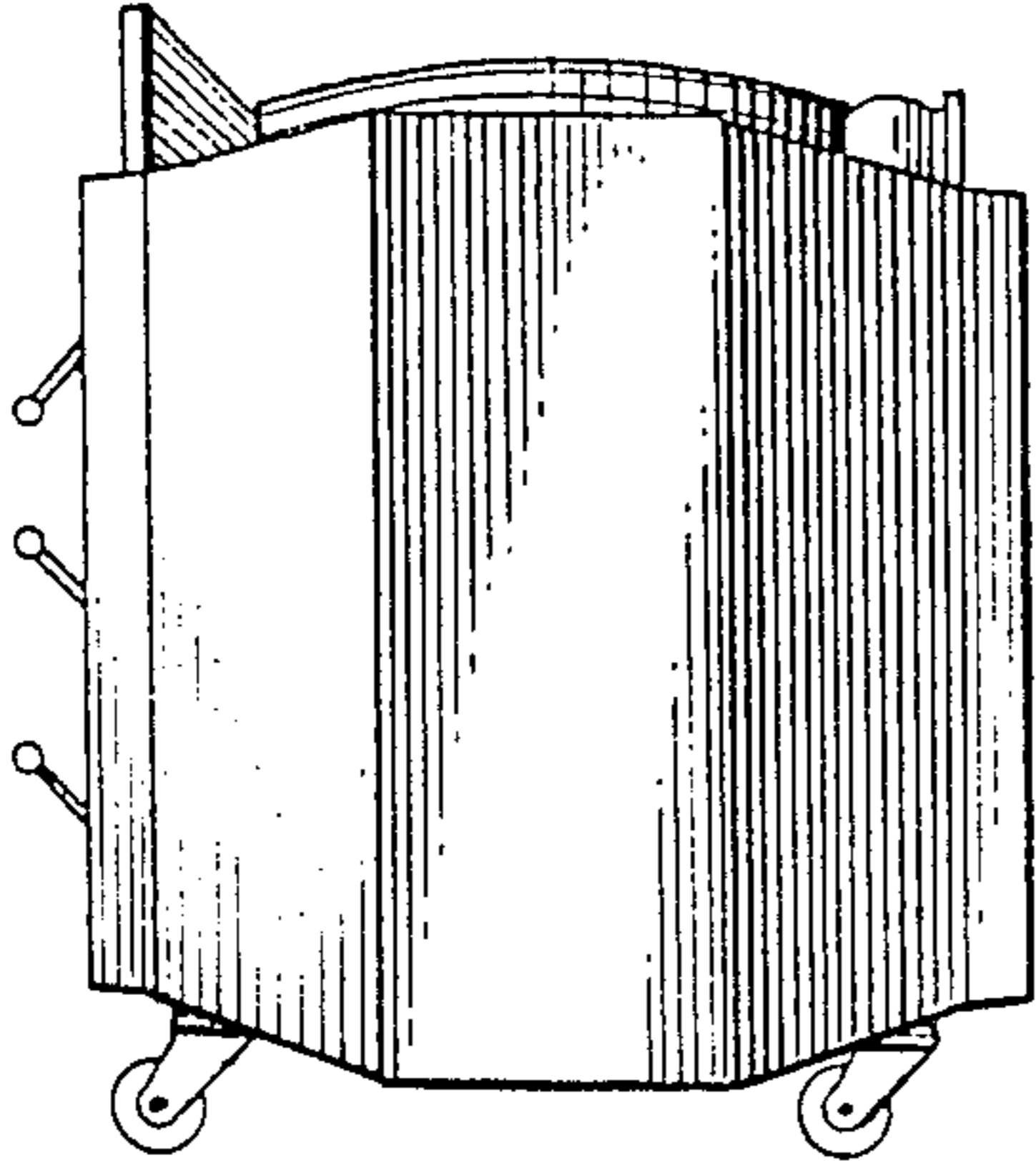


FIG. 3.

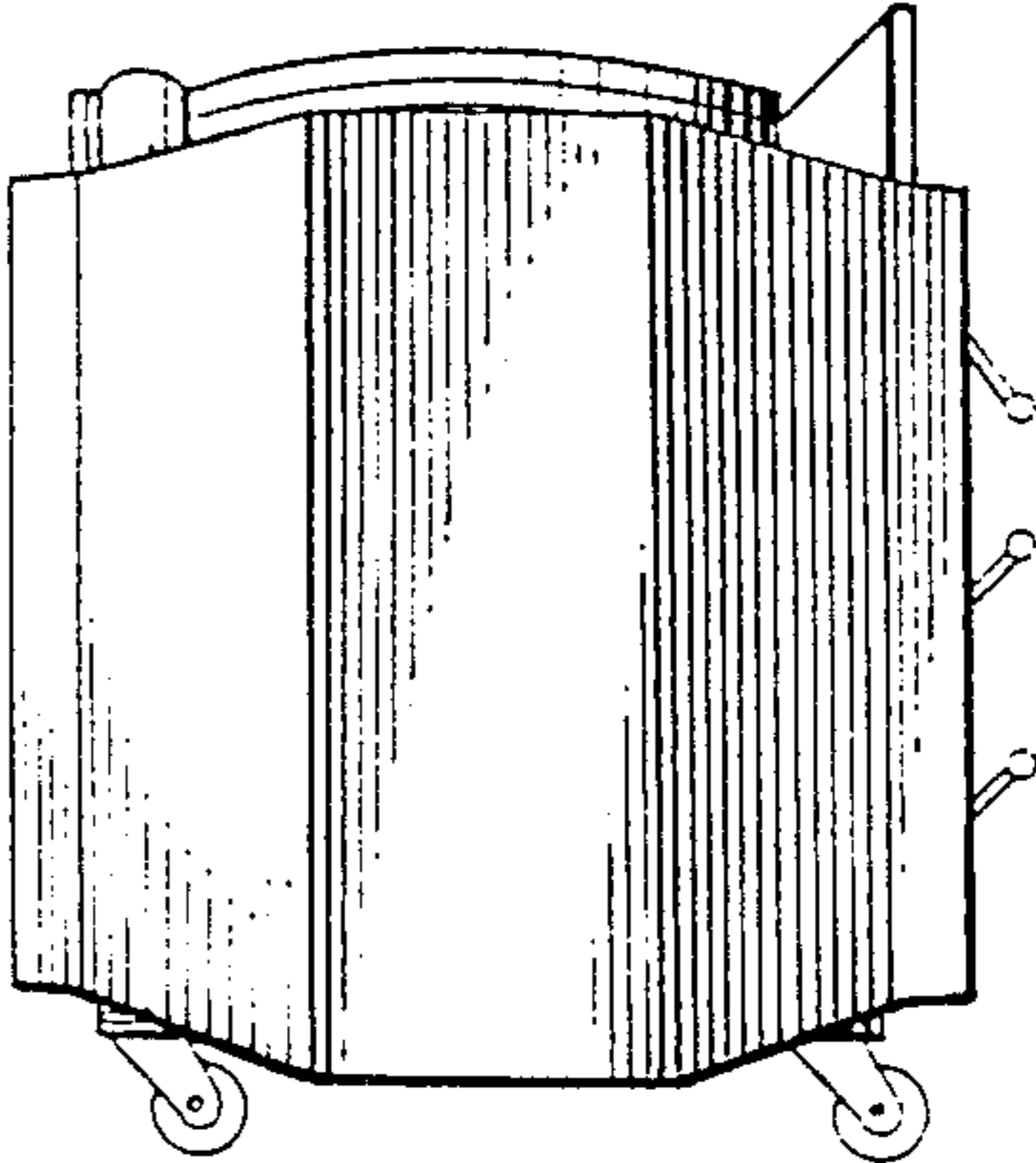


FIG. 4.

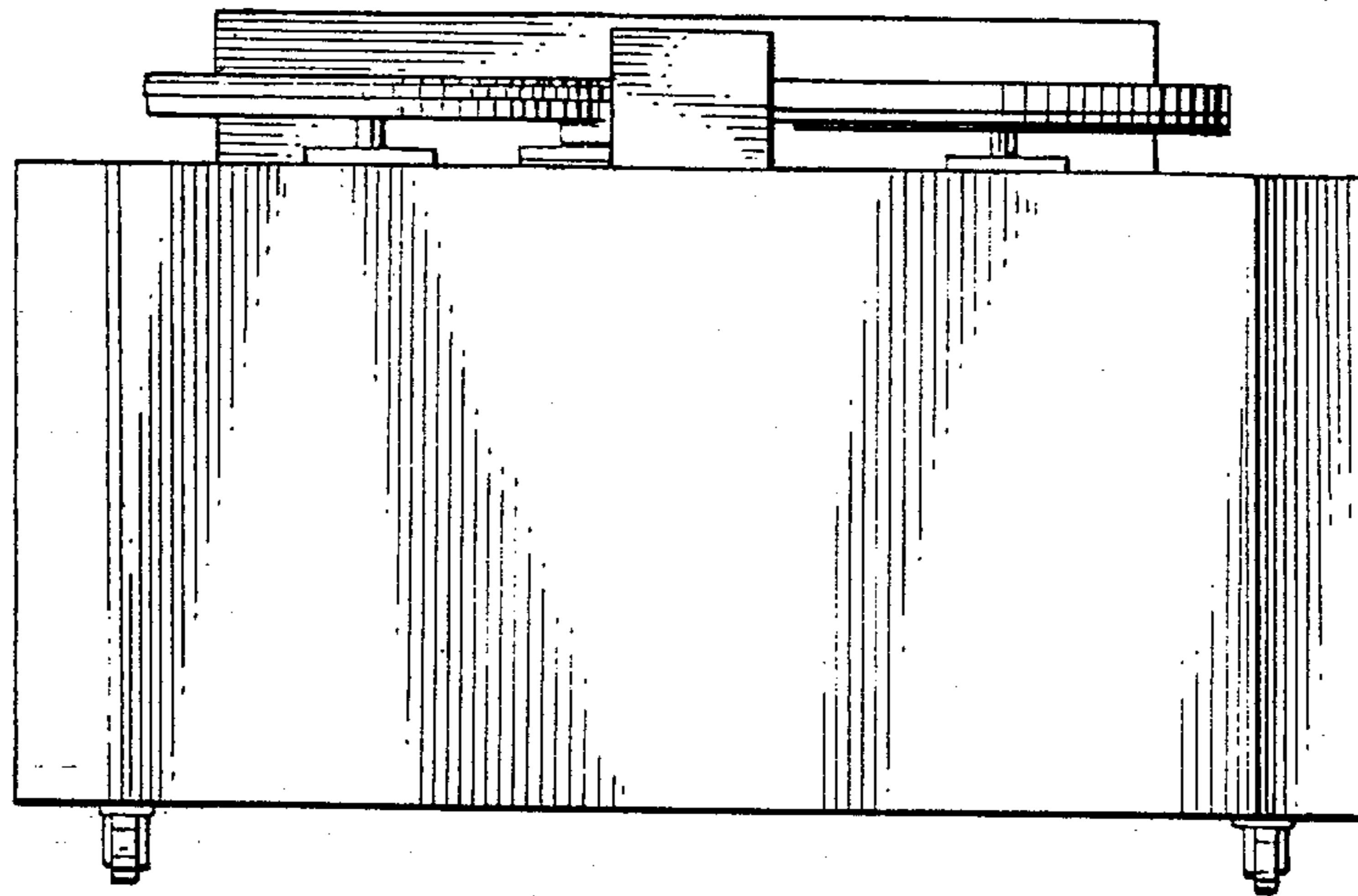


FIG. 5.

