

[54] KNIFE SCABBARD

[75] Inventor: Frank L. Winyard, Melbourne, Australia

[73] Assignee: Wiltshire Consolidated Limited, Australia

[\*\*] Term: 14 Years

[21] Appl. No.: 481,563

[22] Filed: Apr. 1, 1983

[30] Foreign Application Priority Data

Oct. 4, 1982 [AU] Australia ..... 1733/82

[52] U.S. Cl. .... D7/74

[58] Field of Search ..... D8/93; D7/73, 74; 30/296 A; 211/60.1; 248/37.3, 37.8

[56] References Cited

U.S. PATENT DOCUMENTS

D. 225,559 12/1972 Bayly ..... D7/74

D. 230,122 1/1974 Bayly ..... D7/74

D. 232,899 9/1974 Bayly ..... D7/74

D. 249,923 10/1978 Bayly ..... D7/74

OTHER PUBLICATIONS

Joan Cook 1981 Catalog, p. 77, Wilkinson Sword Storage Sheaths in bottom panel.

Primary Examiner—Winifred E. Herrmann  
Attorney, Agent, or Firm—Berman, Aisenberg & Platt

[57] CLAIM

The ornamental design for a knife scabbard, as shown and described.

DESCRIPTION

FIG. 1 is a side elevational view of a knife scabbard showing my new design; the side opposite is a mirror image thereof;

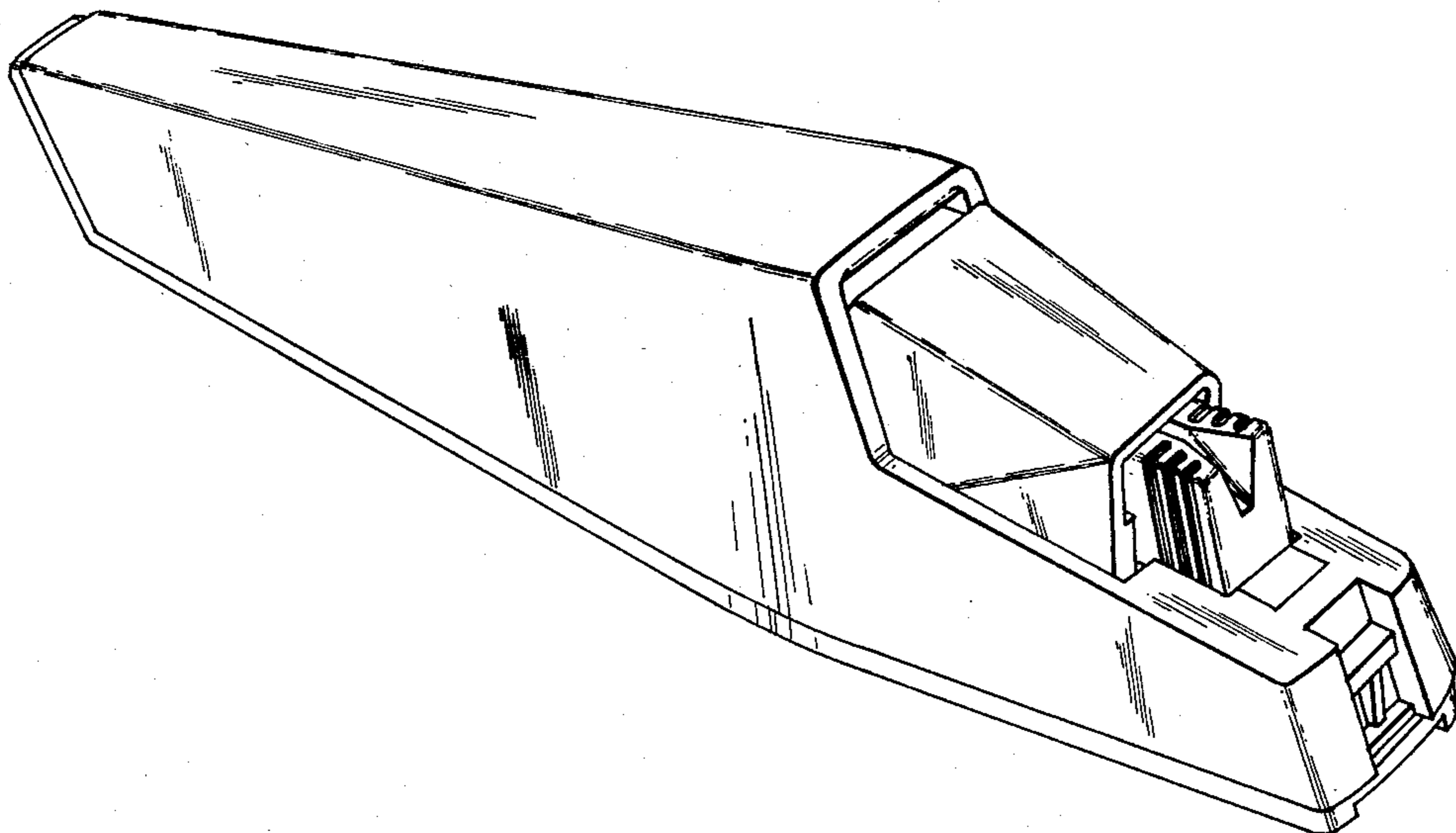
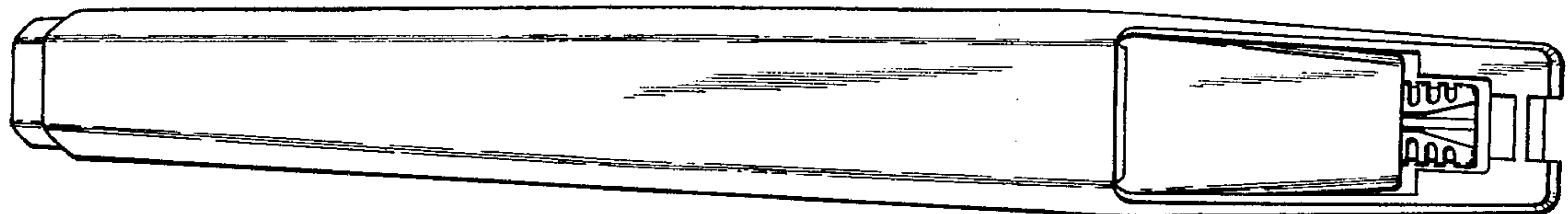
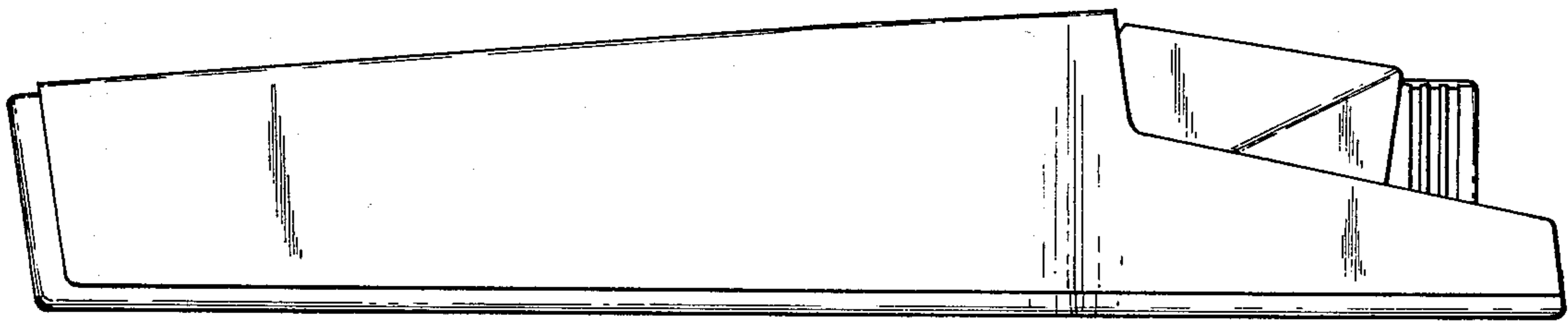
FIG. 2 is a top plan view thereof;

FIG. 3 is a front elevational view thereof;

FIG. 4 is a rear elevational view thereof;

FIG. 5 is a bottom plan view thereof; and

FIG. 6 is a top, front, and left side perspective view thereof.



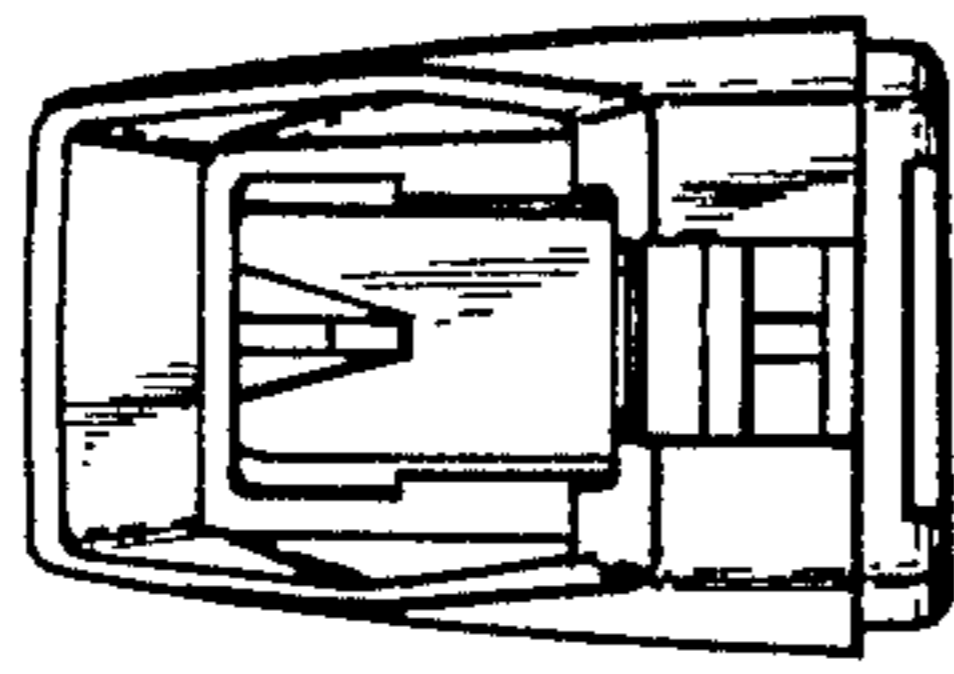


FIG 3

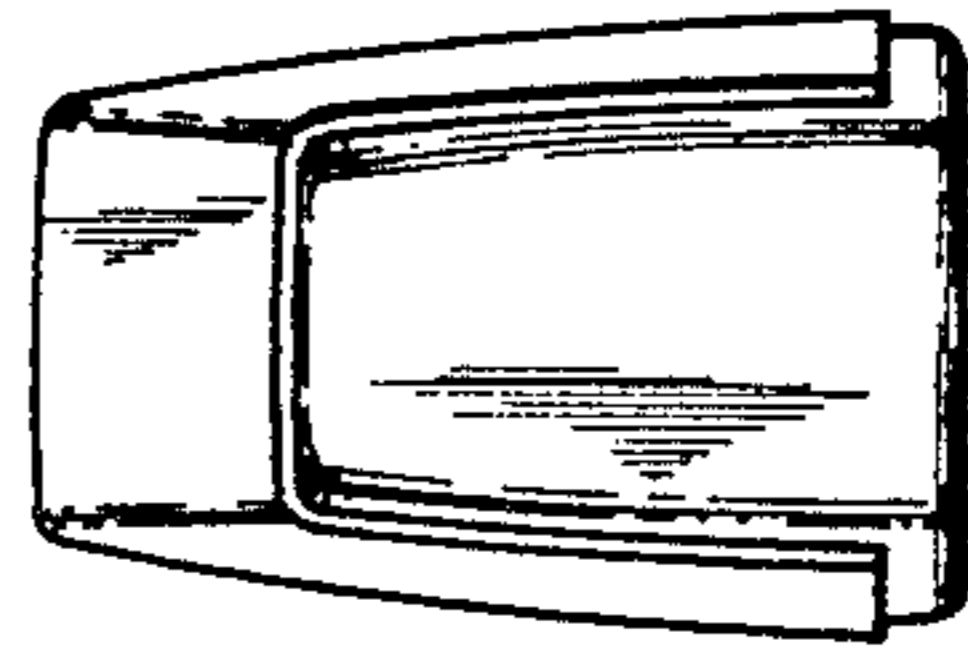


FIG 4

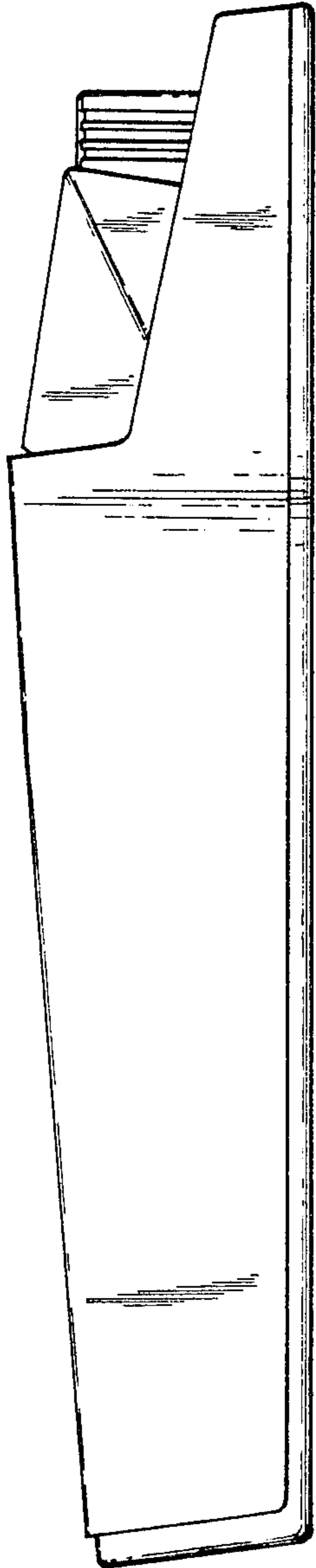


FIG 1

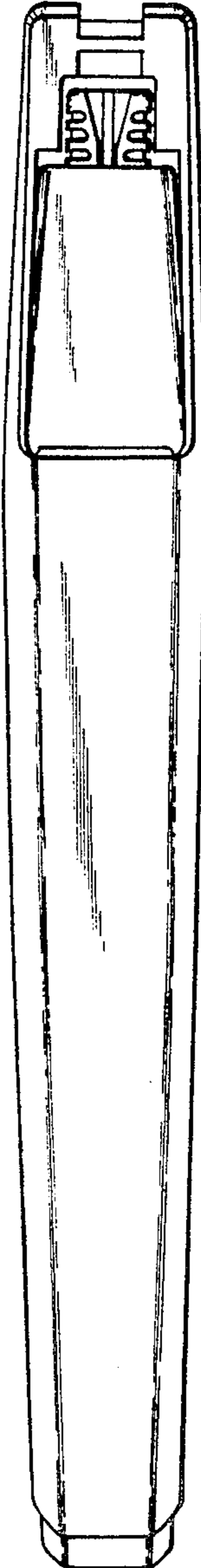


FIG 2

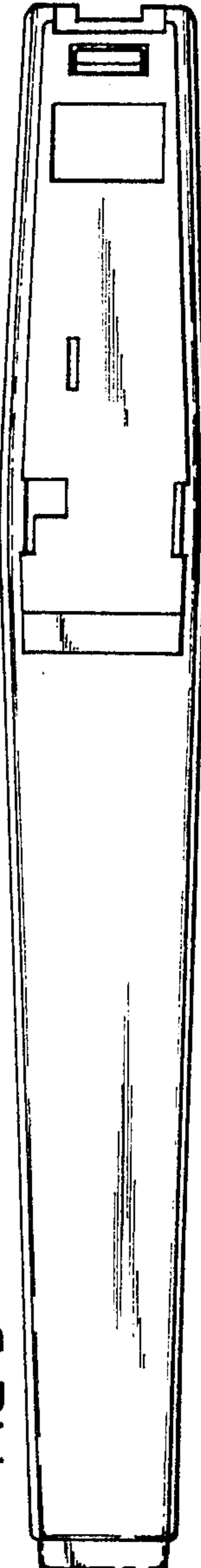


FIG 5

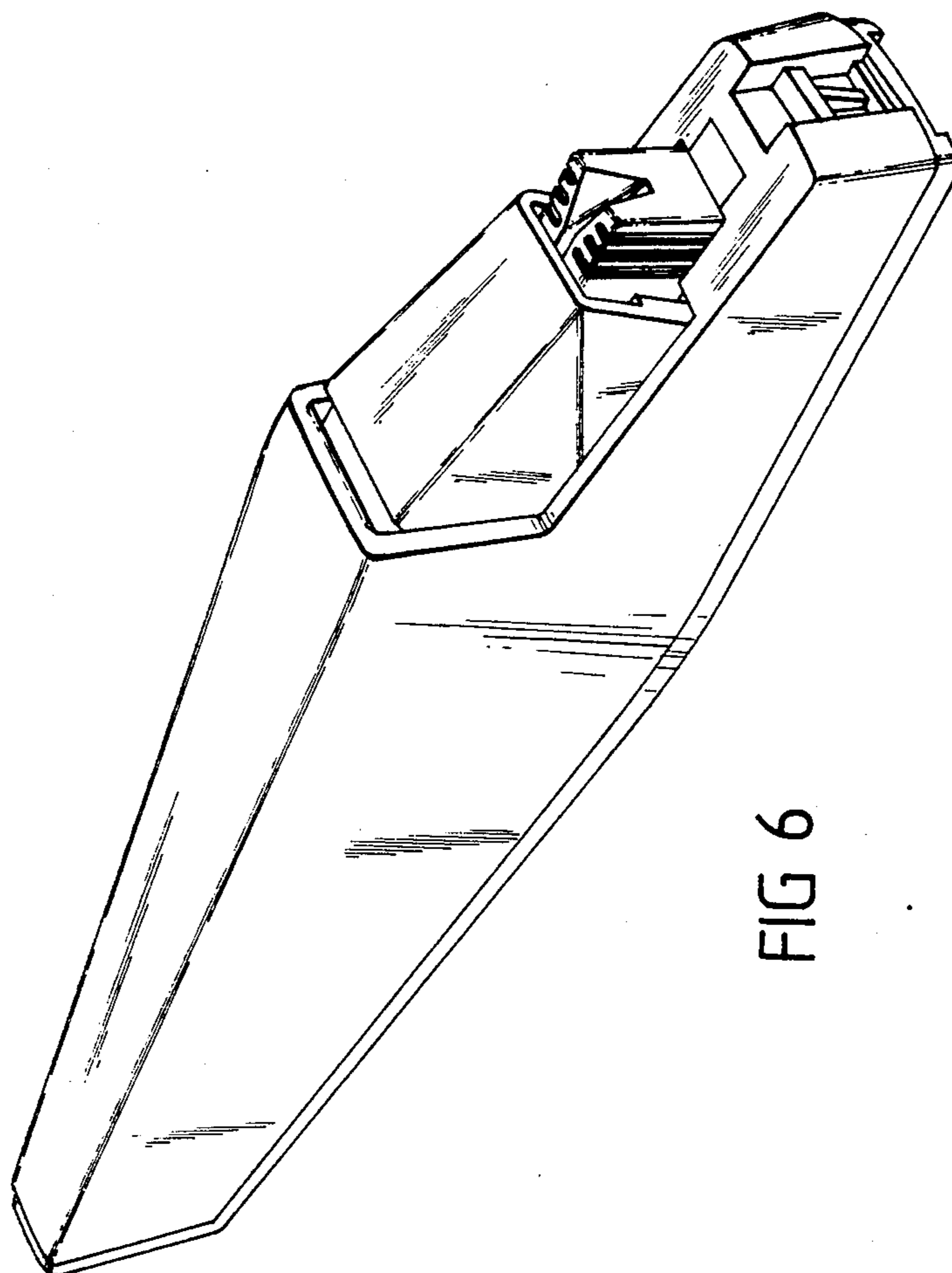


FIG 6