

[54] REVOLVING HOLDER FOR KITCHEN TOOLS OR THE LIKE

[75] Inventor: Albert Y. Wan, Kowloon, Hong Kong

[73] Assignee: Hung Sang Metal Plastic Factory Ltd., Hong Kong, Hong Kong

[\*\*] Term: 14 Years

[21] Appl. No.: 486,946

[22] Filed: Apr. 20, 1983

[30] Foreign Application Priority Data

Dec. 16, 1982 [GB] United Kingdom ..... 1010346

[52] U.S. Cl. .... D7/73; D6/457; D6/460; D6/468; D7/2

[58] Field of Search ..... 248/37.3, 37.6; 211/60 R, 60 T, 69, 70, 129; D7/73, 74, 76, 2, 4; D6/476, 455, 456, 460, 461, 442, 468; 220/20; D3/30.1, 40

[56] References Cited

U.S. PATENT DOCUMENTS

226,645	4/1880	Albaugh .....	211/129
D. 259,141	5/1981	Oliver .....	D6/125 X
2,496,758	2/1950	Tingley .....	211/69 X
3,227,283	1/1966	Ahlman .....	211/69.9
3,397,804	8/1968	Davis .....	220/20
3,972,419	8/1976	Short .....	D7/2 X
4,305,511	12/1981	Den Holtz .....	248/37.3 X

OTHER PUBLICATIONS

Woodward & Lothrop Christmas, 1980 Cat., p. 62, Item #C, Ingrid's Spinning Organizer, bottom left.

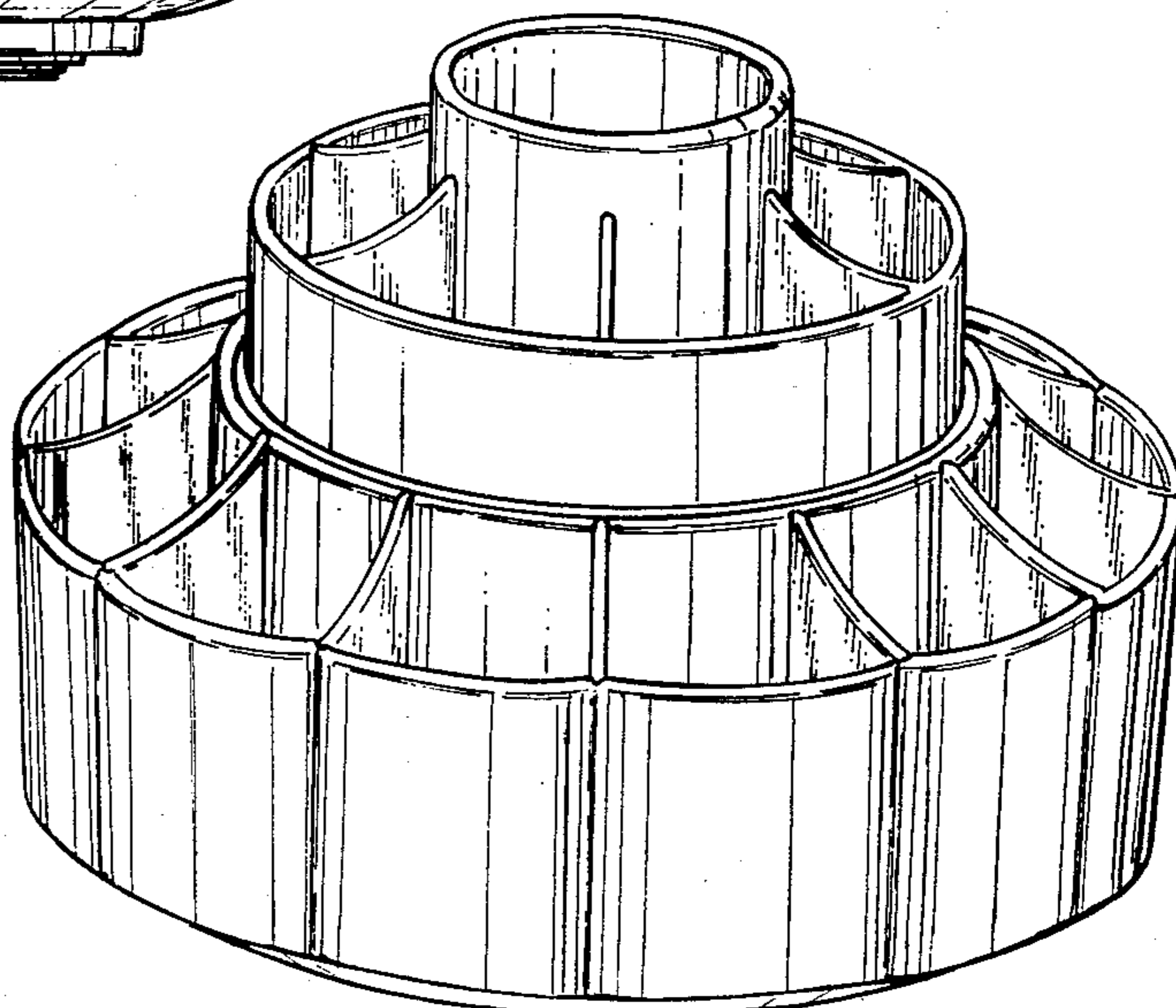
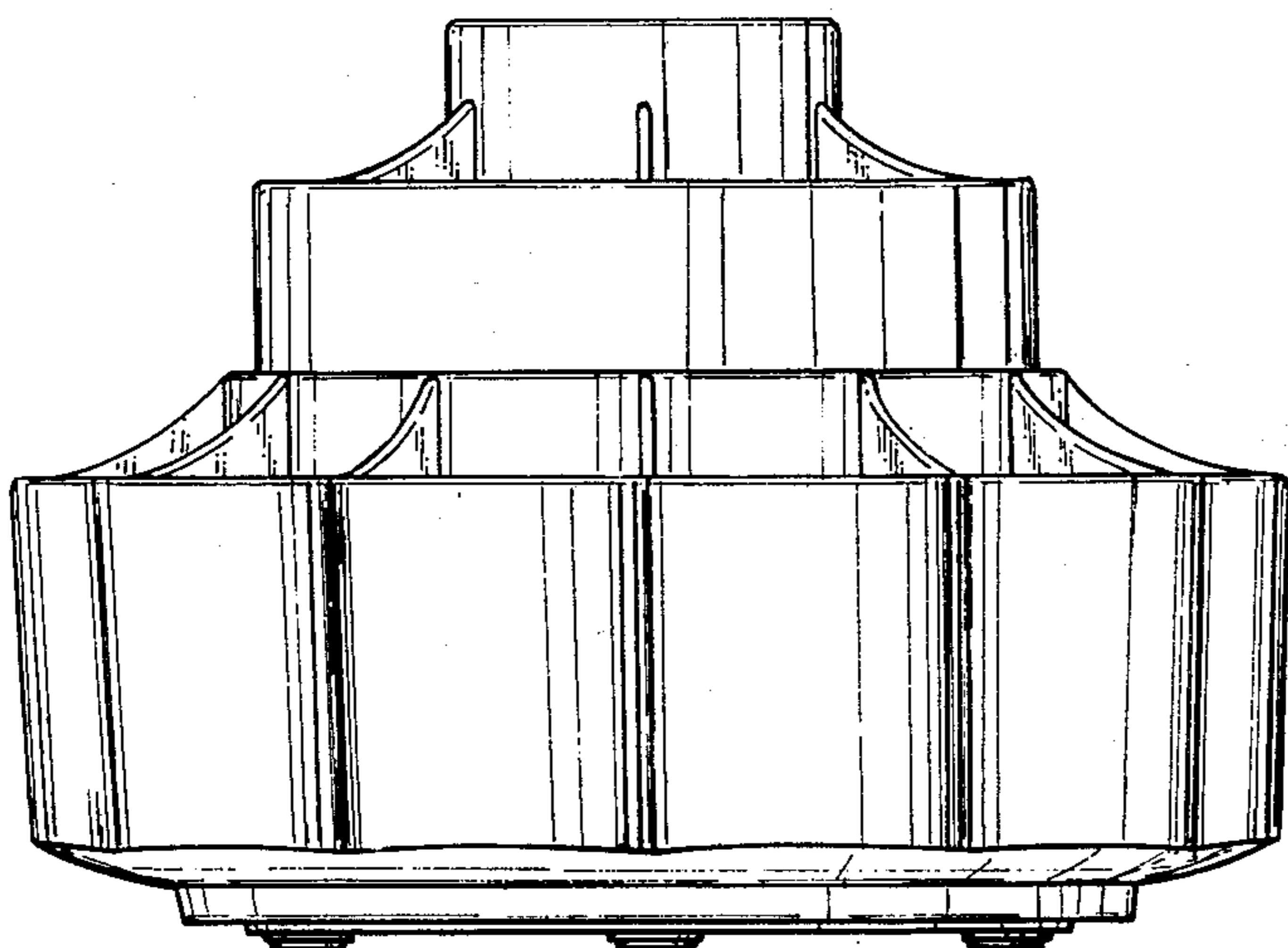
Primary Examiner—Winifred E. Herrmann  
Attorney, Agent, or Firm—Basile, Weintraub & Hanlon

[57] CLAIM

The ornamental design for a revolving holder for kitchen tools or the like, as shown.

DESCRIPTION

FIG. 1 is a side elevational view of a revolving holder for kitchen tools or the like showing my new design; FIG. 2 is a top plan view thereof; FIG. 3 is a bottom plan view thereof; and FIG. 4 is a top perspective view thereof.



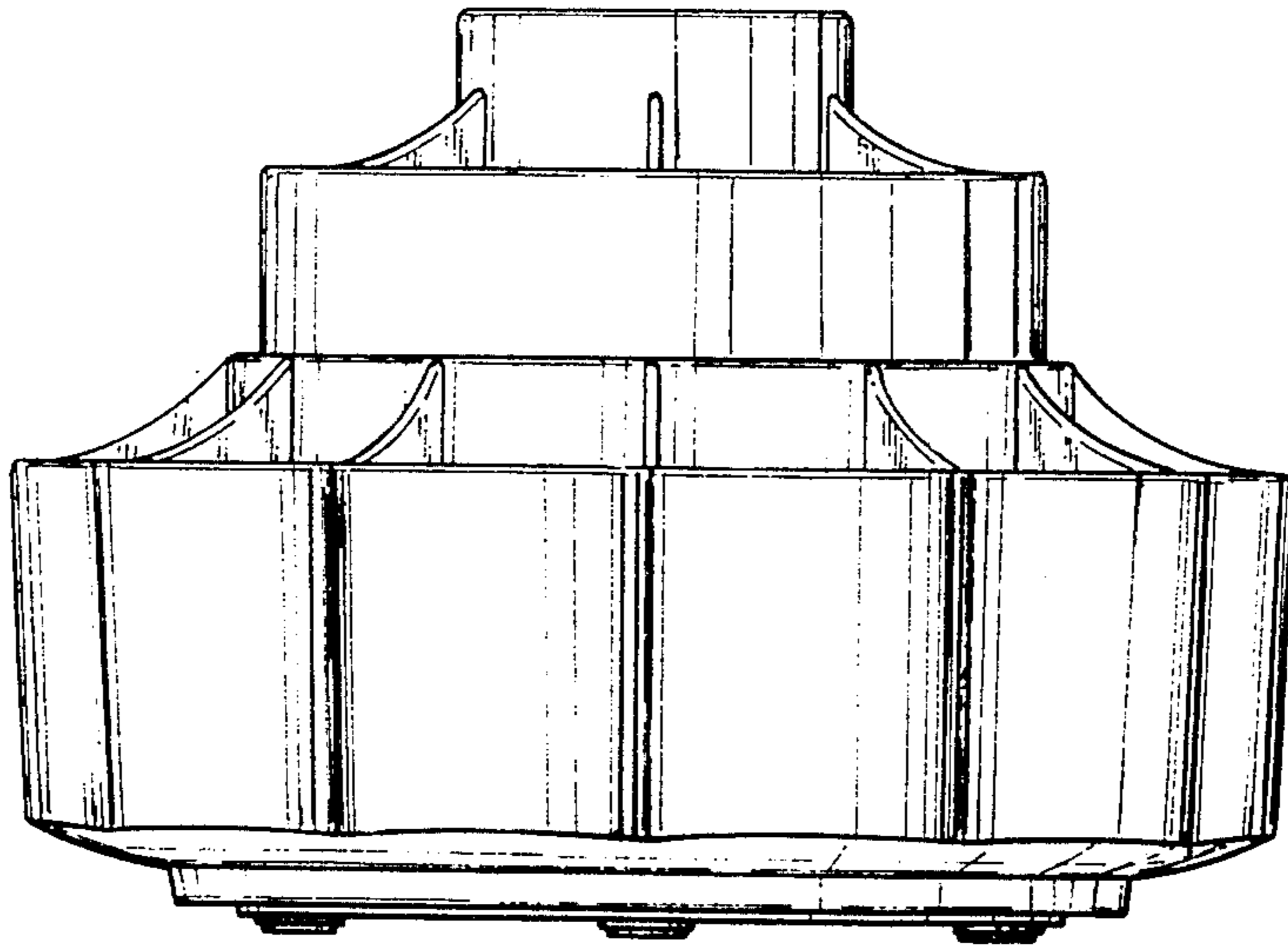


FIG. 1.

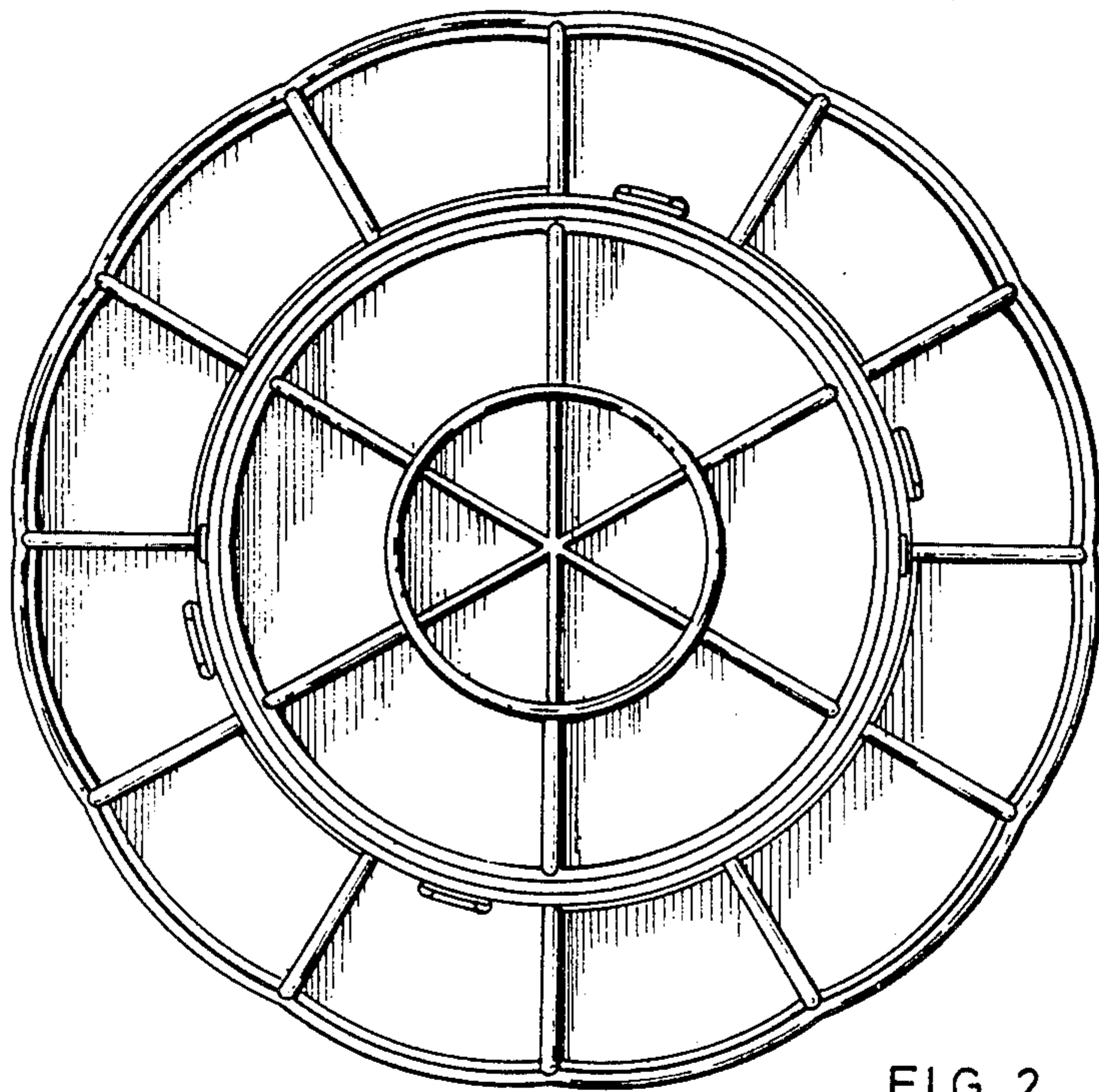


FIG. 2.

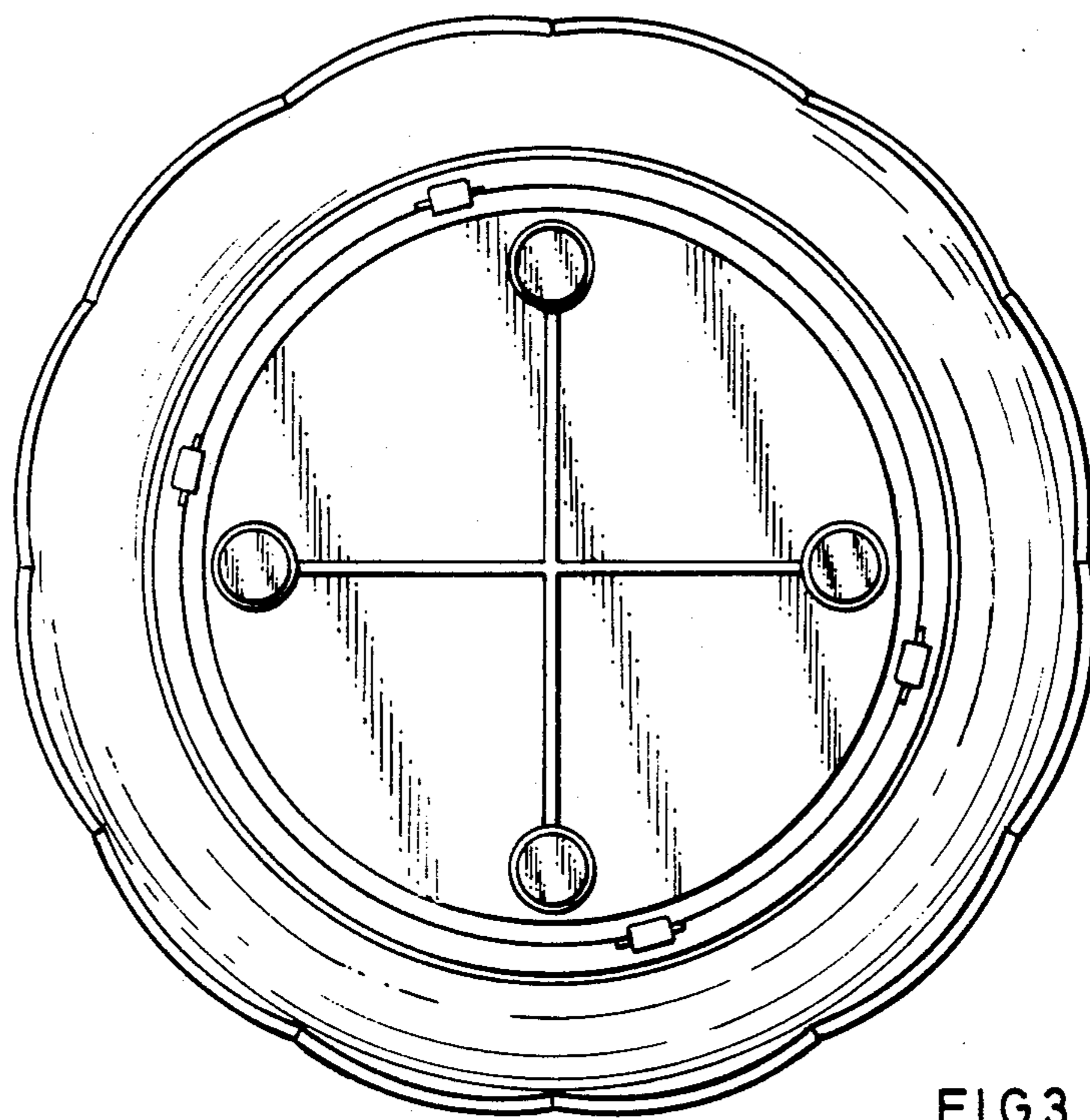


FIG. 3.

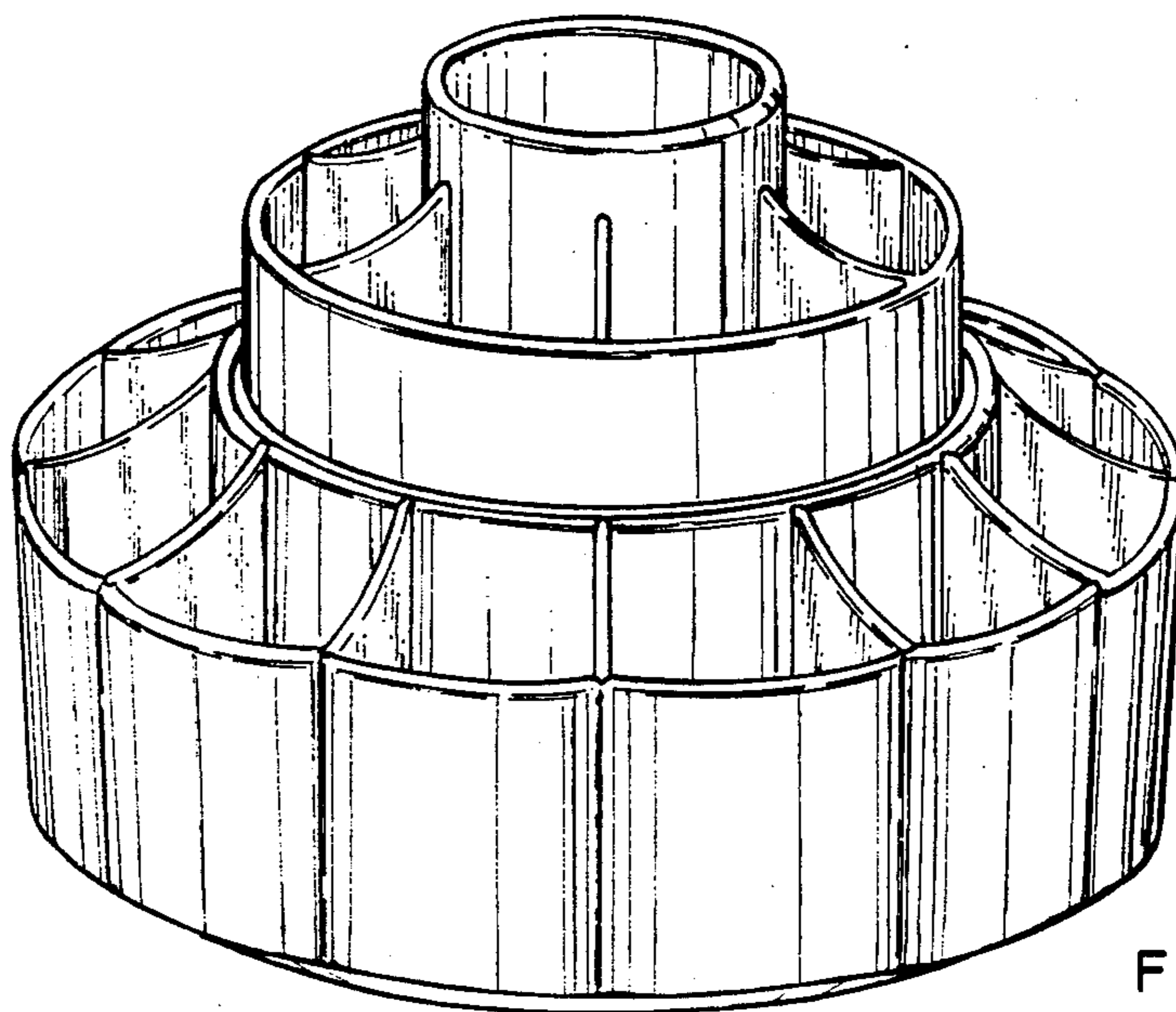


FIG. 4.