

United States Patent [19]

McLaren et al.

[11] Patent Number: **Des. 279,944**

[45] Date of Patent: **** Aug. 6, 1985**

[54] **SLEEPING ENCLOSURE**

[76] Inventors: **Charles L. McLaren**, 1911 Pear Creek Cir., Houston, Tex. 77084;
Franklin D. Hirsekorn, 105 Rosamond, Houston, Tex. 77076

[**] Term: **14 Years**

[21] Appl. No.: **413,450**

[22] Filed: **Aug. 31, 1982**

[52] U.S. Cl. **D6/382; D6/383**

[58] Field of Search **D6/79, 80, 83, 84, 198, D6/382, 383; D30/1, 41, 99; 5/2 R**

[56] **References Cited**

U.S. PATENT DOCUMENTS

D. 227,126 6/1973 Brison D30/1

D. 245,348 8/1977 Haviland D30/1
D. 246,556 12/1977 Parsons D6/79
3,490,417 1/1970 Swinney D30/1
4,395,785 8/1983 Huh 5/2 R

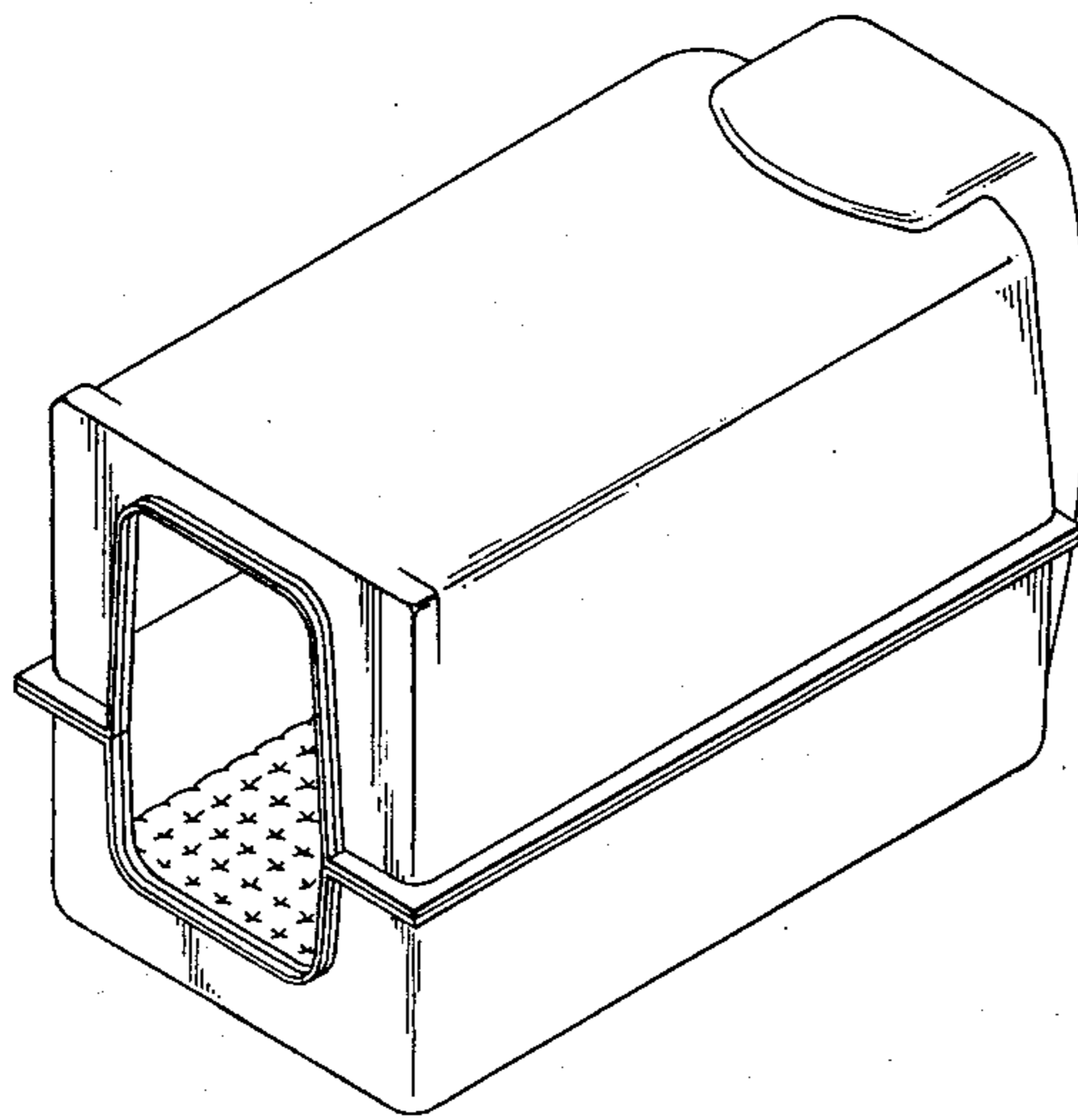
Primary Examiner—Jane E. Corrigan
Attorney, Agent, or Firm—Neal J. Mosely

[57] **CLAIM**

The ornamental design for a sleeping enclosure, substantially as shown and described.

DESCRIPTION

FIG. 1 is a front, top and right side isometric view of a sleeping enclosure showing our new design, with the inside bottom padding partially shown in FIG. 1 being continuous on the bottom; and FIG. 2 is a rear, bottom and left side isometric view showing our new design.



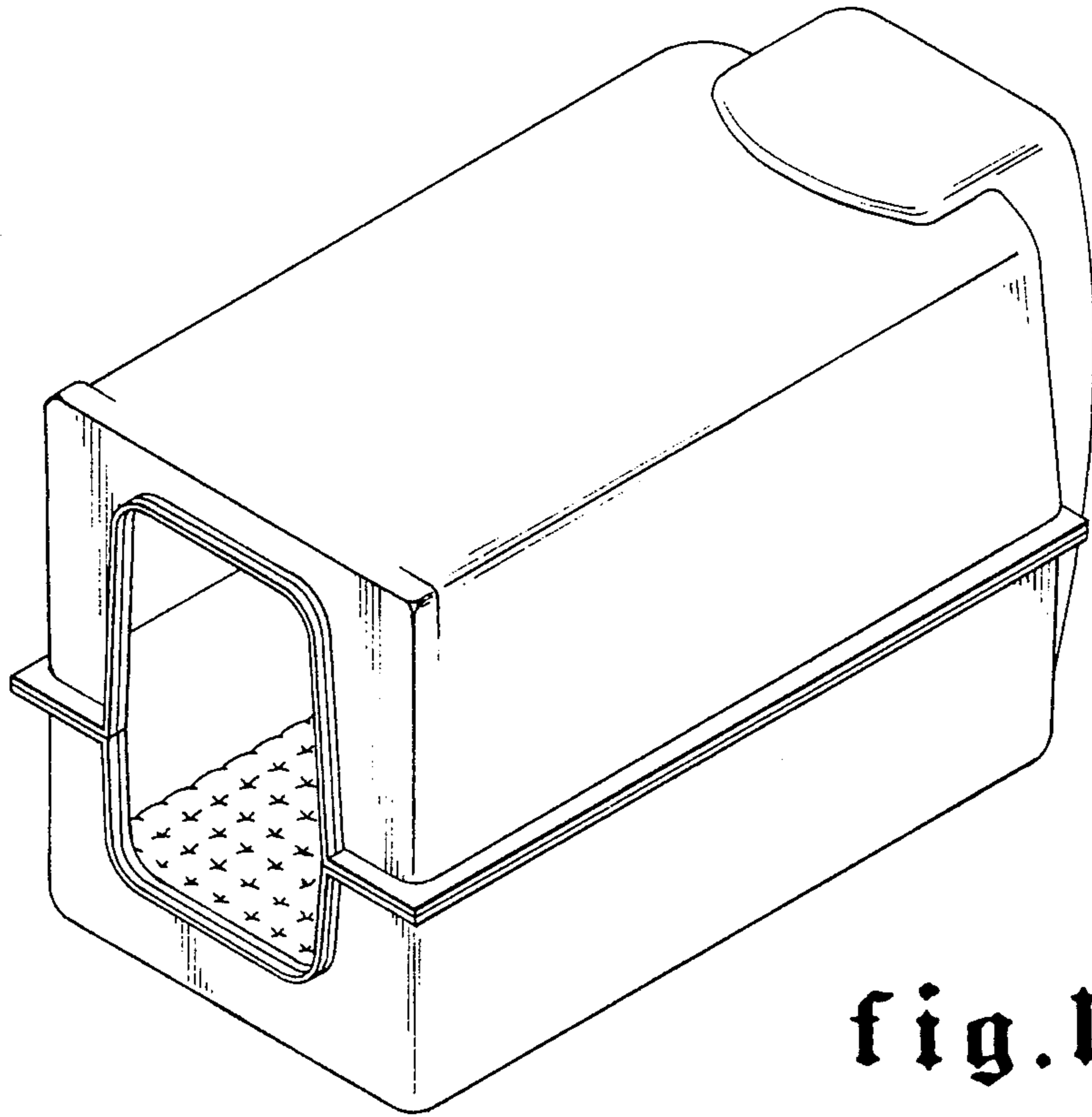


fig. 1

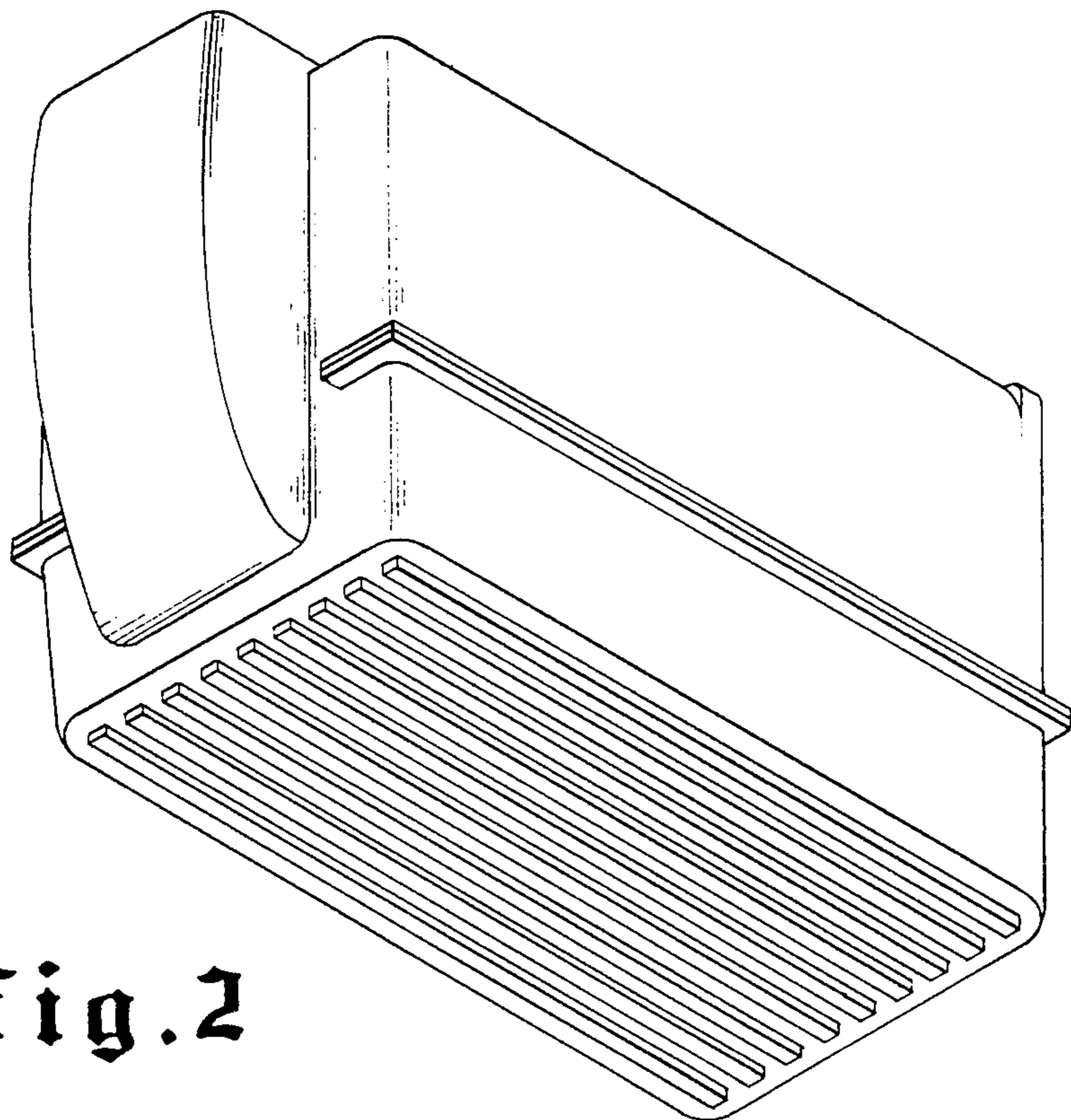


fig. 2