

United States Patent [19]
Gaines

[11] **Patent Number: Des. 279,933**
[45] **Date of Patent: ** Jul. 30, 1985**

[54] **CONFORM SCRAPER TOOL**
[75] **Inventor: Mark Gaines, Carrollton, Ga.**
[73] **Assignee: Southwire Company, Carrollton, Ga.**
[**] **Term: 14 Years**
[21] **Appl. No.: 434,160**
[22] **Filed: Oct. 13, 1982**
[52] **U.S. Cl. D32/46**
[58] **Field of Search 15/236 R, 104 R;
30/169, 171; D32/46**

[56] **References Cited**
U.S. PATENT DOCUMENTS
1,966,101 7/1934 Miller 15/236 R
3,651,572 3/1972 Marich 30/169

4,363,155 12/1982 Regina 15/236 R
FOREIGN PATENT DOCUMENTS
0135462 5/1979 Fed. Rep. of Germany 15/236 R

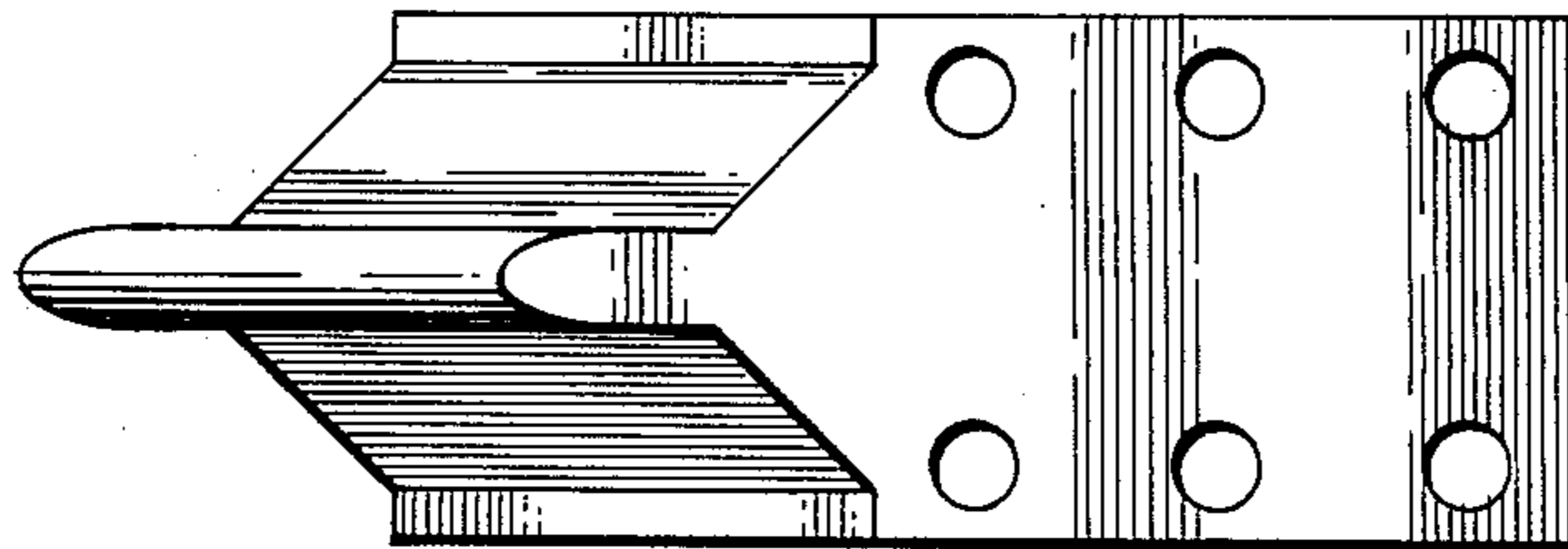
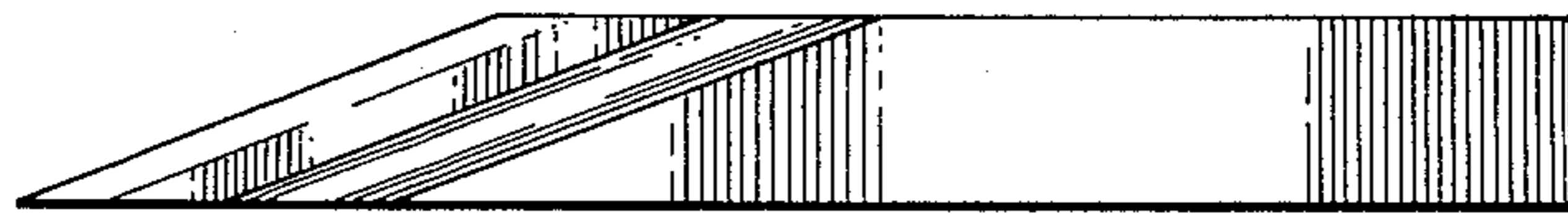
Primary Examiner—Catherine E. Kemper
Attorney, Agent, or Firm—Herbert M. Hanegan

[57] **CLAIM**

The ornamental design for a conform scraper tool, substantially as shown and described.

DESCRIPTION

FIG. 1 is a side elevational view of a conform scraper tool, showing my new design;
FIG. 2 is a top plan view thereof;
FIG. 3 is a front perspective view thereof;
FIG. 4 is a rear perspective view thereof.



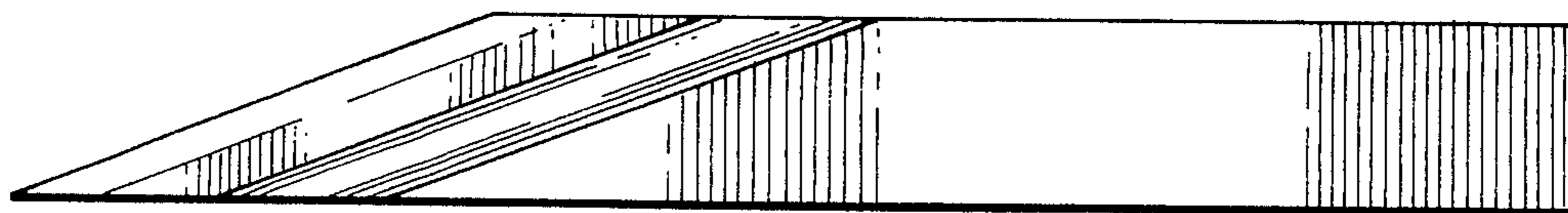


FIG. 1

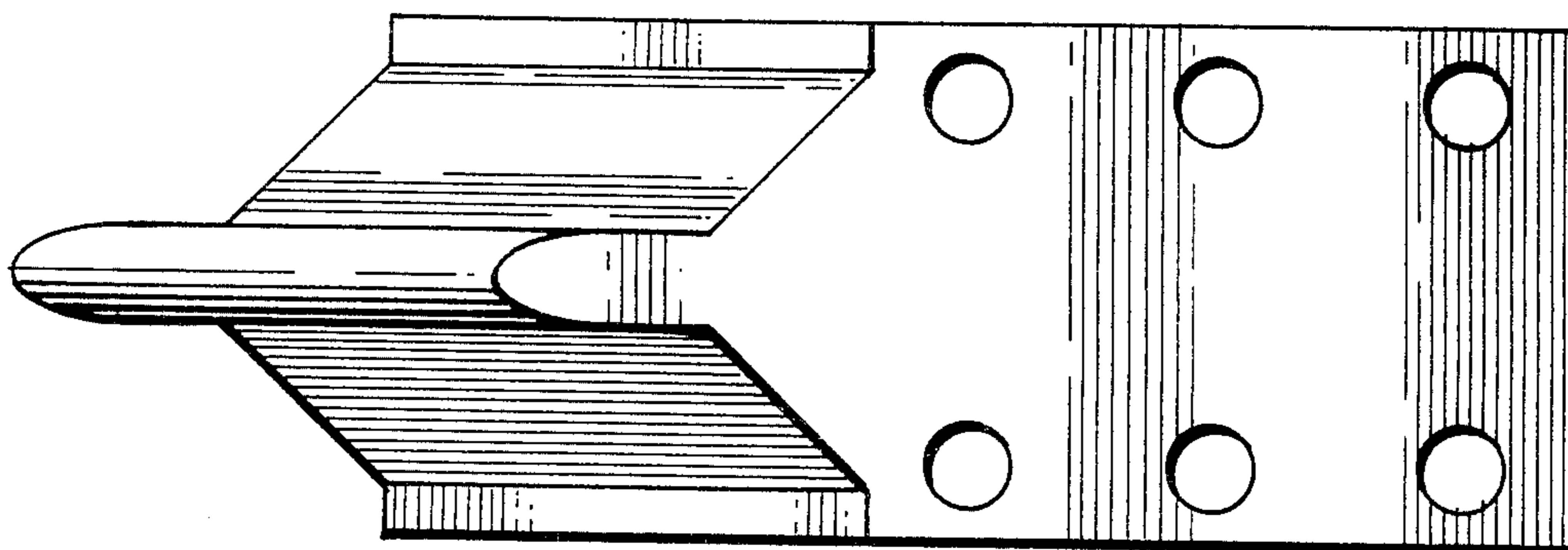


FIG. 2

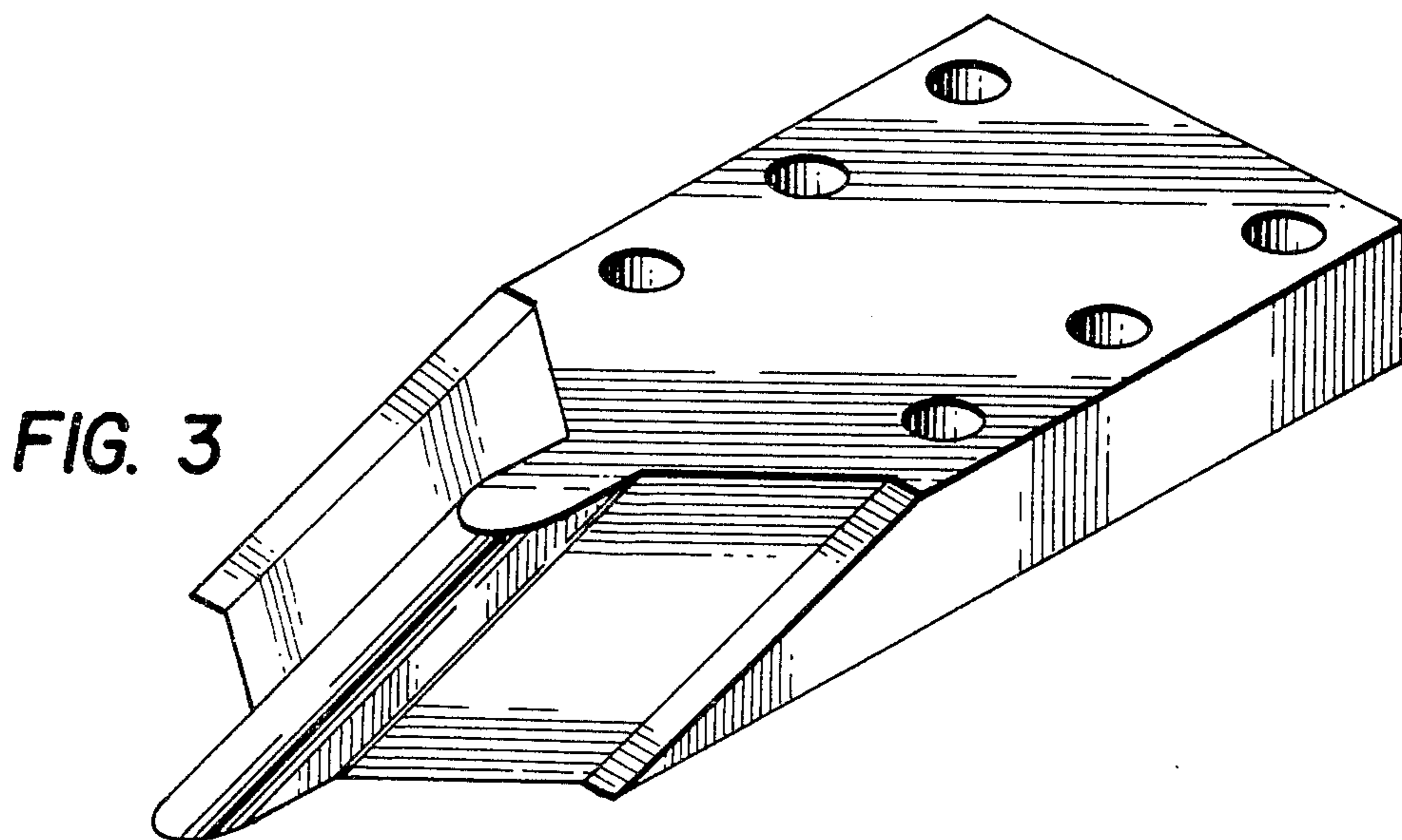


FIG. 3

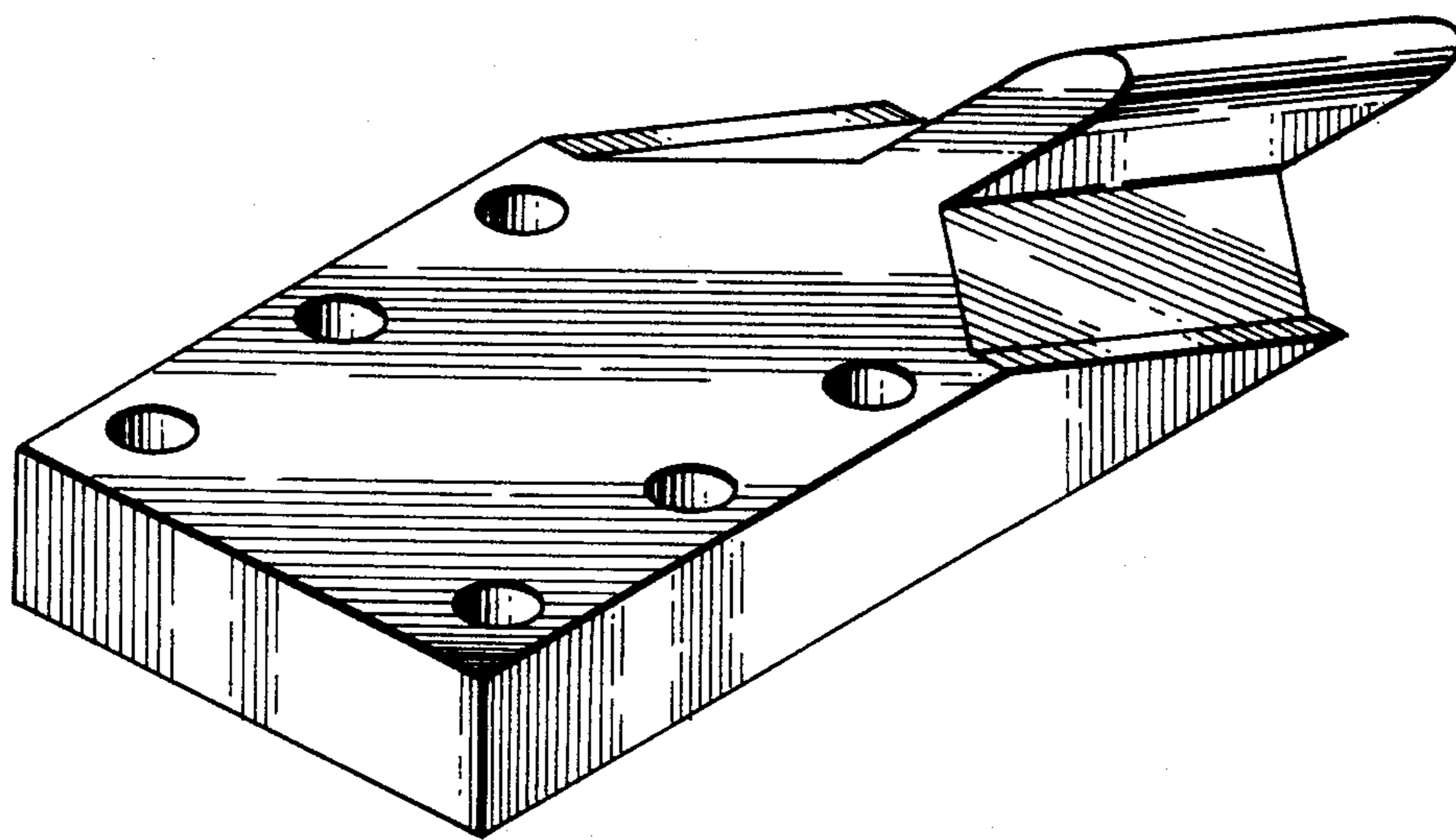


FIG. 4