

[54] WINDOW CLEANER

[75] Inventor: Arne Bergström, Nottebäck, Sweden

[73] Assignee: Swish AB, Solna, Sweden

[**] Term: 14 Years

[21] Appl. No.: 239,691

[22] Filed: Mar. 2, 1981

[30] Foreign Application Priority Data

Nov. 17, 1980 [SE] Sweden 80-2282

[52] U.S. Cl. D32/41

[58] Field of Search 15/245; D32/40, 41, D32/46, 48, 49, 51, 52

[56] References Cited

U.S. PATENT DOCUMENTS

948,641	2/1910	Bailey	15/245
2,123,638	7/1938	Steccone	15/245
2,905,960	9/1959	Ward	15/245

Primary Examiner—Catherine E. Kemper
Attorney, Agent, or Firm—Witherspoon & Hargest

[57] CLAIM

The ornamental design for window cleaner, as shown and described.

DESCRIPTION

FIG. 1 is a bottom perspective view of a window cleaner, showing my new design;
 FIG. 2 is a top perspective view thereof;
 FIG. 3 is a bottom perspective view of the scraper blade portion of the window cleaning device, shown with the handle omitted for completeness of disclosure;
 FIG. 4 is a top perspective view thereof;
 FIG. 5 is a bottom perspective view of the handle portion of the window cleaning device, shown with the scraper blade omitted for completeness of disclosure;
 FIG. 6 is a top perspective view thereof; and
 FIG. 7 is a side elevational view of the window cleaning device as it appears in FIGS. 1 and 2.

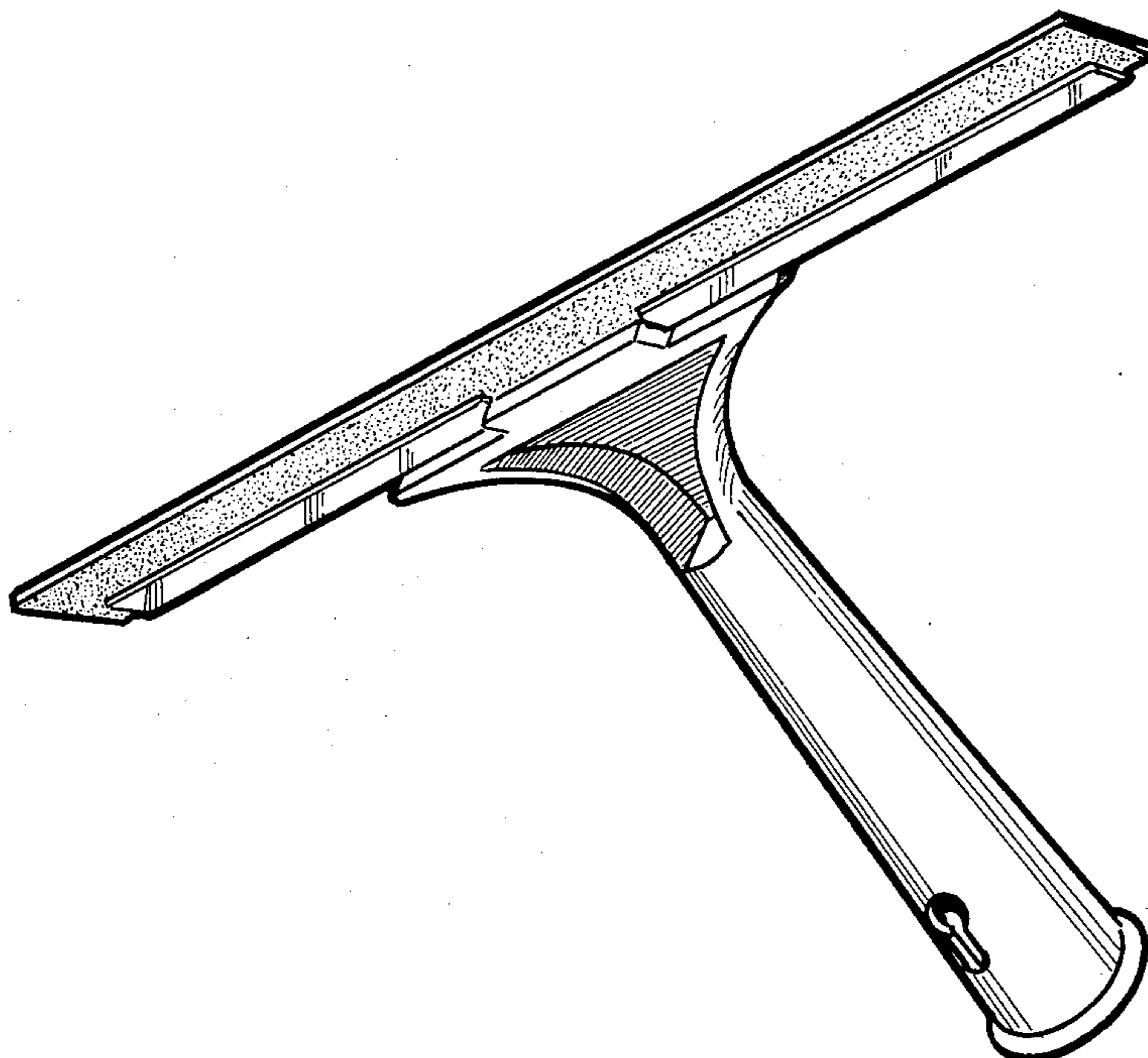


FIG. 1.

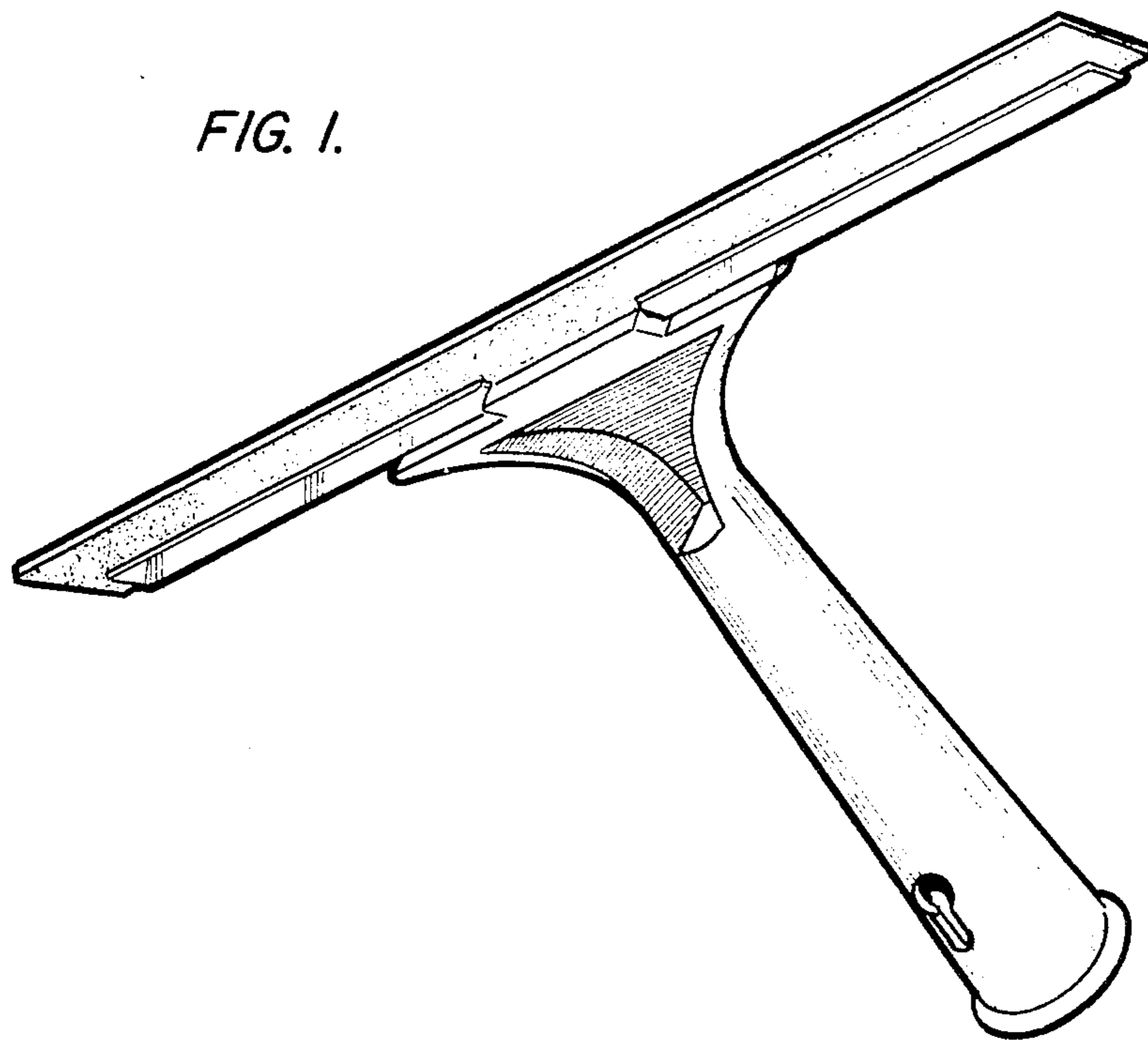


FIG. 2.

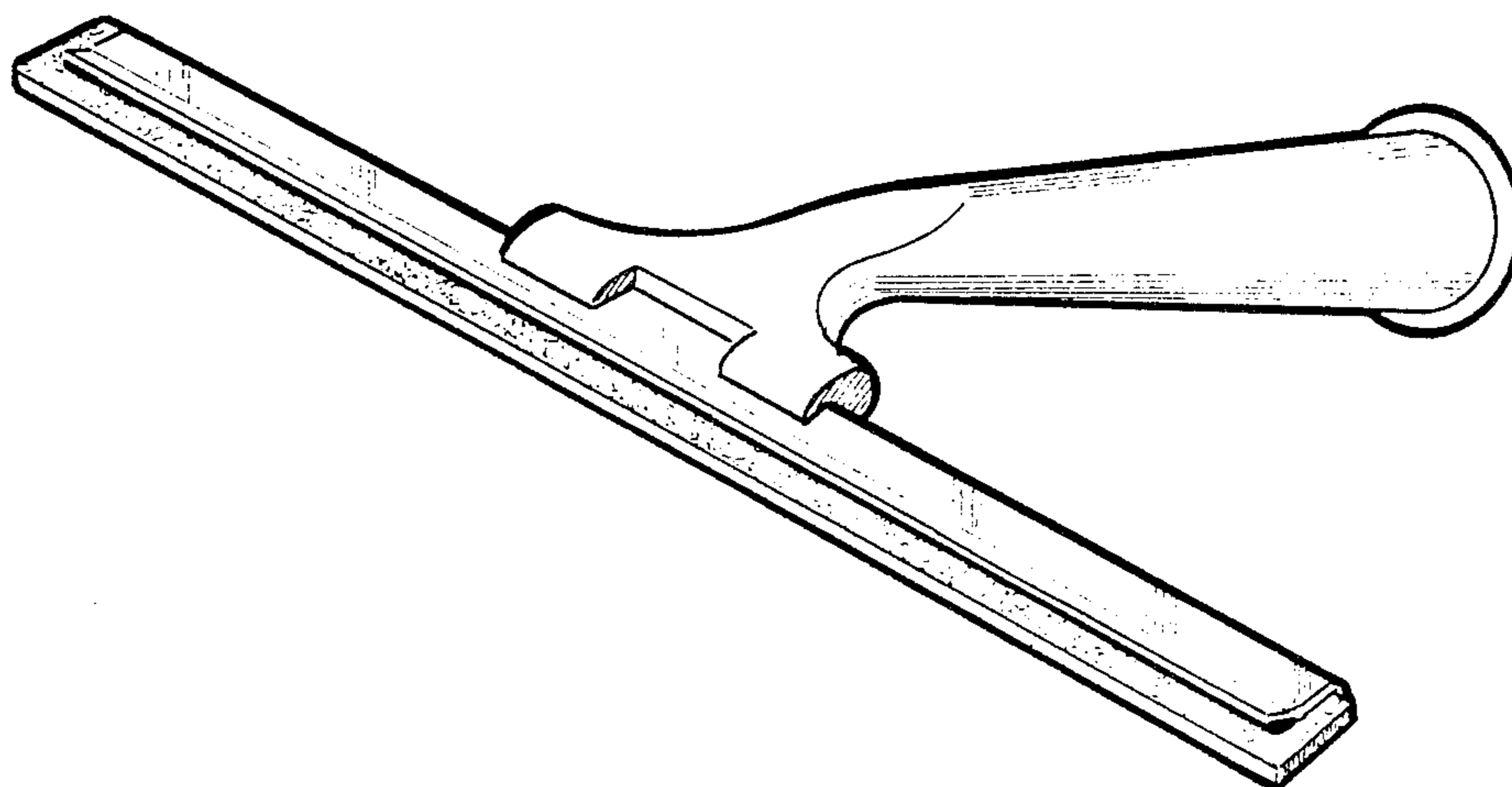


FIG. 3.

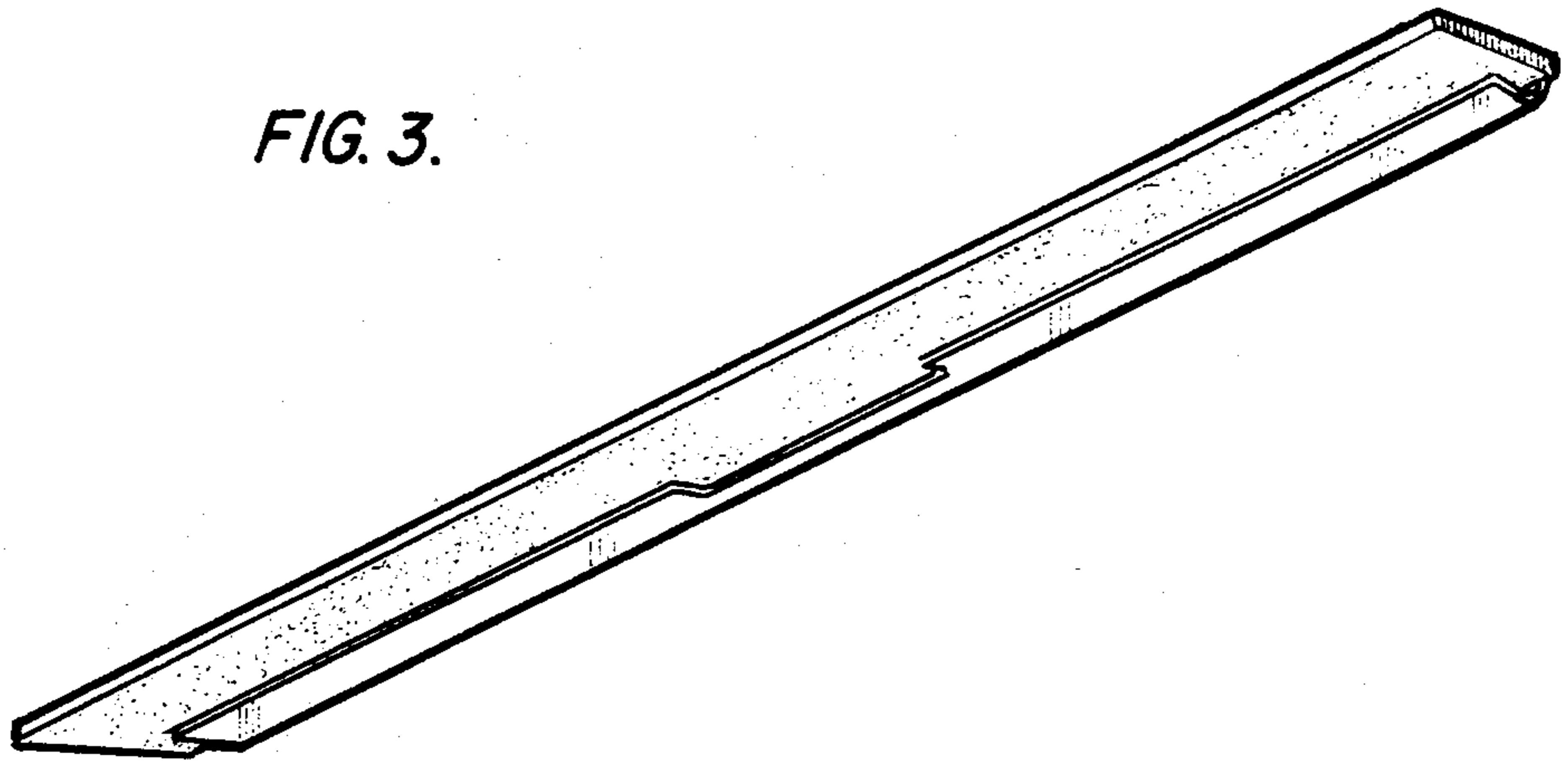


FIG. 4.

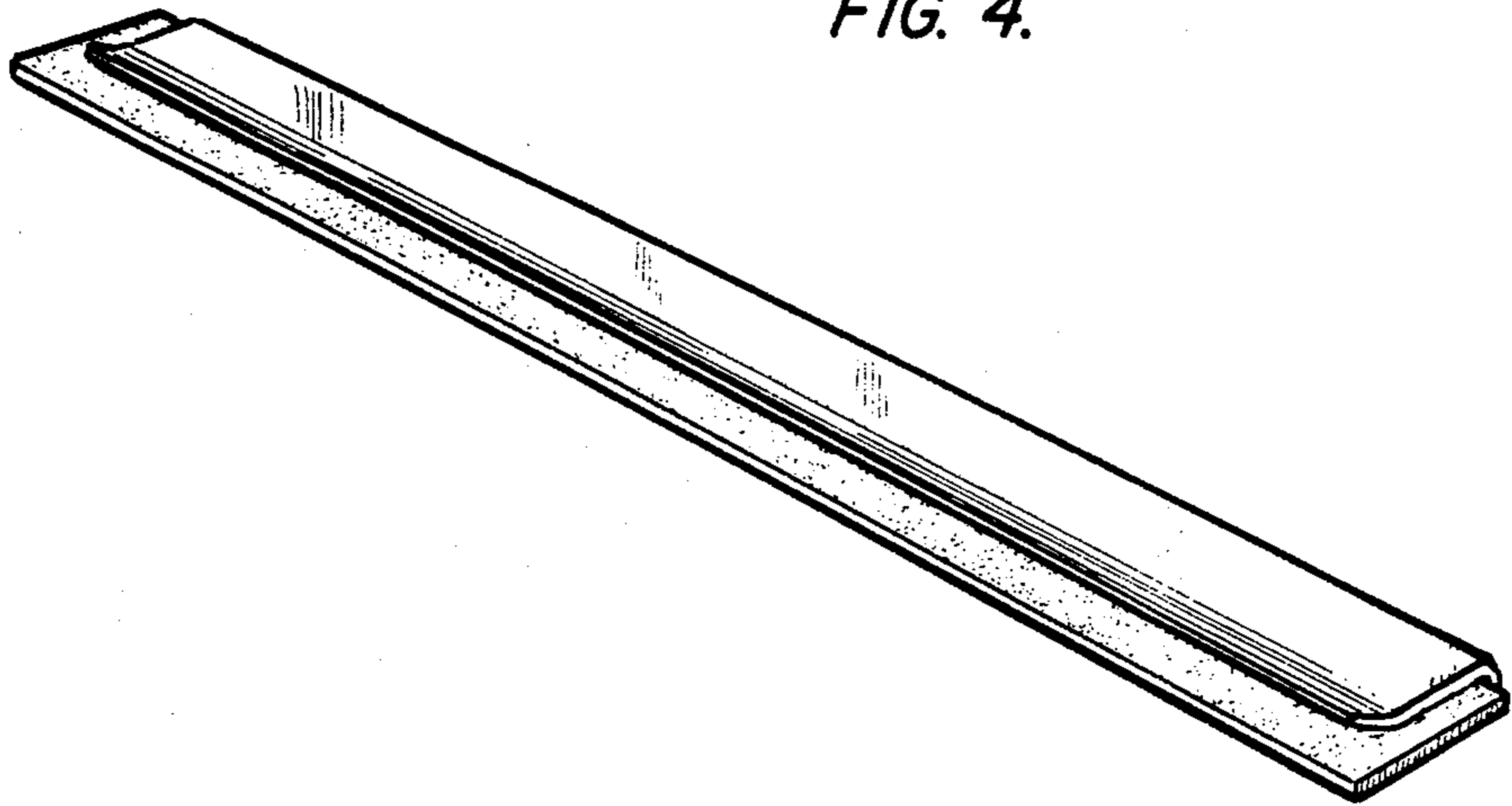


FIG. 5.

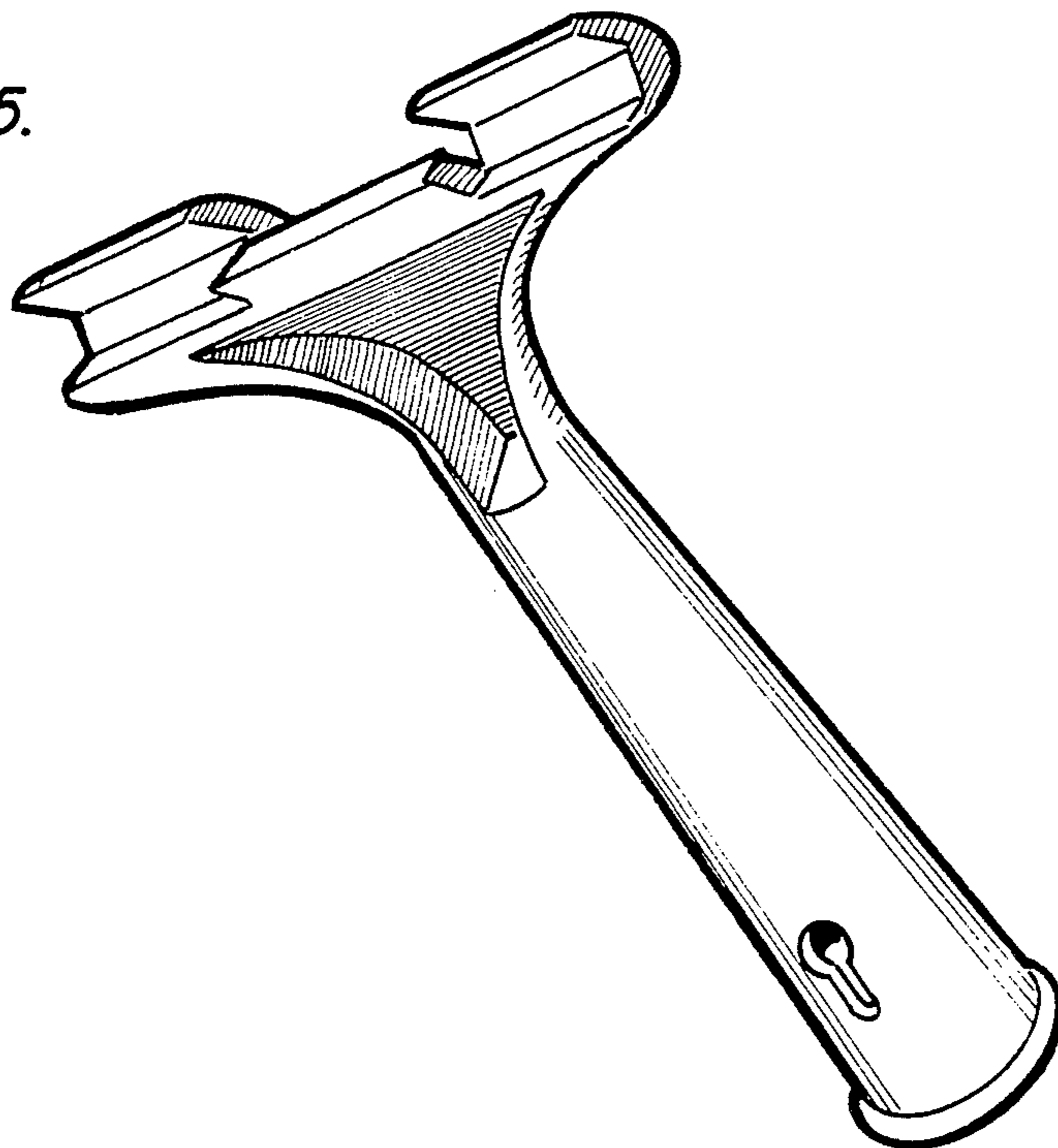


FIG. 6.

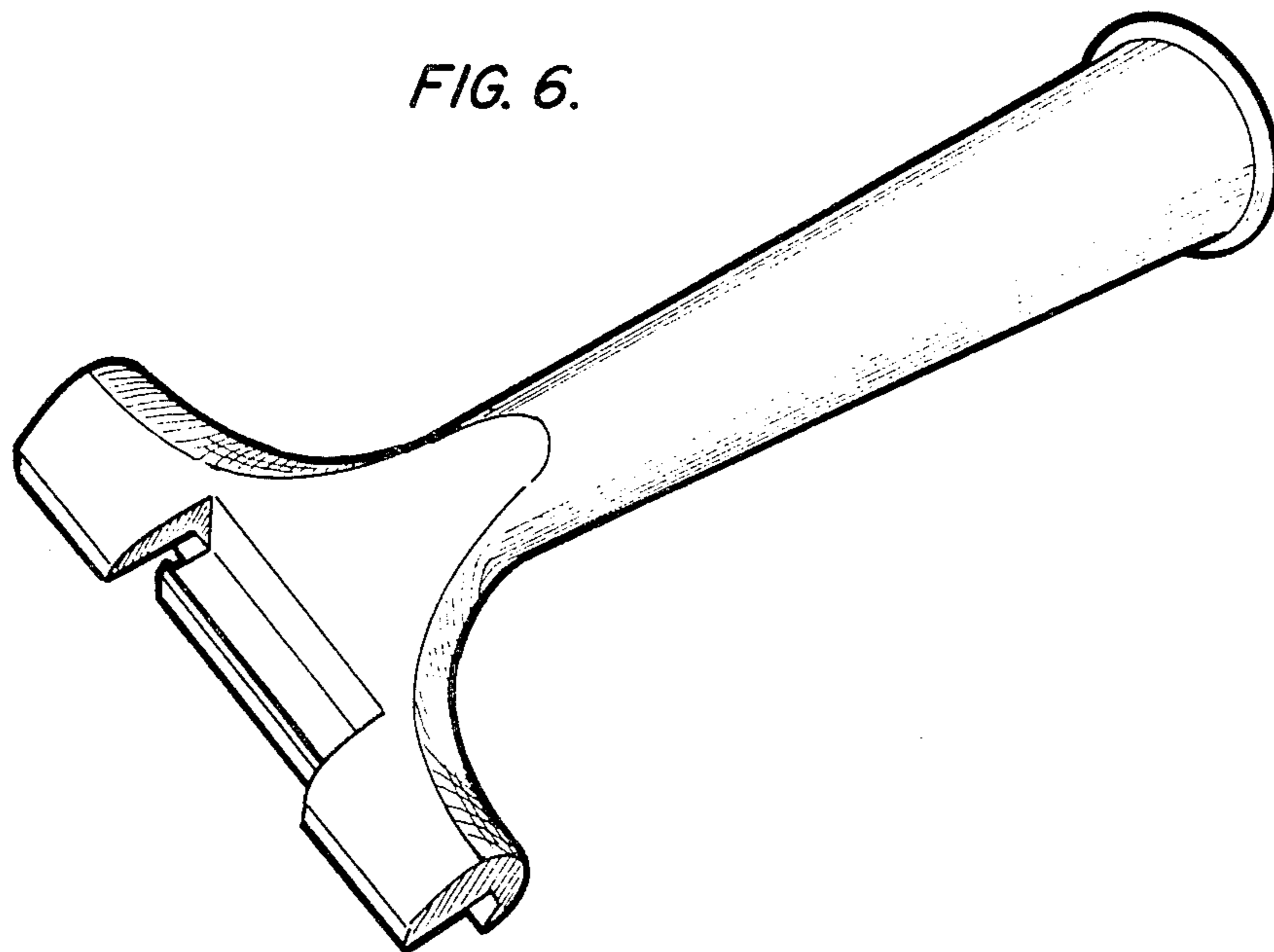


FIG. 7.

