

[54] PAIR OF AUTOMOBILE REAR LENSES

[75] Inventors: Richard A. Teague, Franklin; Robert C. Nixon; George M. Krispinsky, both of Huntington Woods; Jack E. Kenitz, New Baltimore; Gary D. Guichard, Dearborn Heights, all of Mich.

[73] Assignee: American Motors Corporation, Southfield, Mich.

[**] Term: 14 Years

[21] Appl. No.: 432,151

[22] Filed: Sep. 30, 1982

[52] U.S. Cl. D26/122

[58] Field of Search 362/6, 73, 80, 81, 82, 362/83, 294, 306, 307, 310, 311, 329-340; D26/28, 120, 122

[56] References Cited

U.S. PATENT DOCUMENTS

D. 222,557	11/1971	Tixier	D26/122
D. 247,991	5/1978	Tixier	D26/122
D. 252,352	7/1979	Cameron	D26/122
4,198,674	4/1980	Ilhage et al.	362/80

FOREIGN PATENT DOCUMENTS

2935409 3/1981 Fed. Rep. of Germany 362/61

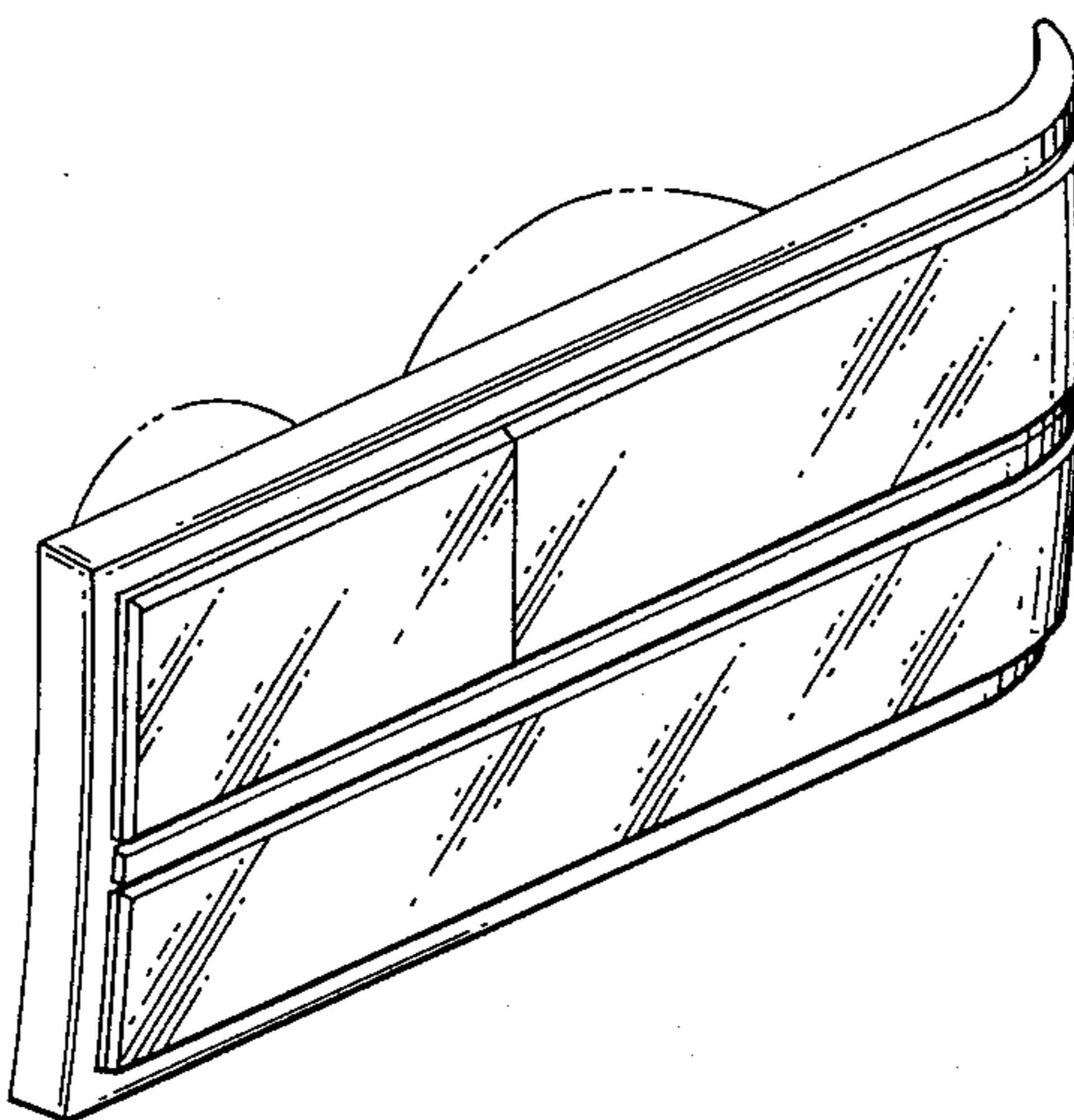
Primary Examiner—Susan J. Lucas
Attorney, Agent, or Firm—Brooks & Kushman

[57] CLAIM

The ornamental design for the pair of automobile rear lenses, as shown and described.

DESCRIPTION

FIG. 1 is a perspective view of the pair of automobile rear lenses showing our new design;
 FIG. 2 is a perspective view of the right rear lens on an enlarged scale; the left lens being omitted for convenience of illustration, the left lens being a mirror image of the right;
 FIG. 3 is a second front perspective view thereof, seen from the opposite end;
 FIG. 4 is a front elevational view thereof;
 FIG. 5 is a cross-sectional view thereof taken along line 5—5 of FIG. 4 on a greatly enlarged scale,
 FIG. 6 is a cross-sectional view thereof taken along line 6—6 of FIG. 4 on a greatly enlarged scale.
 The automobile and lamp housing are shown in broken lines for illustrative purposes only.



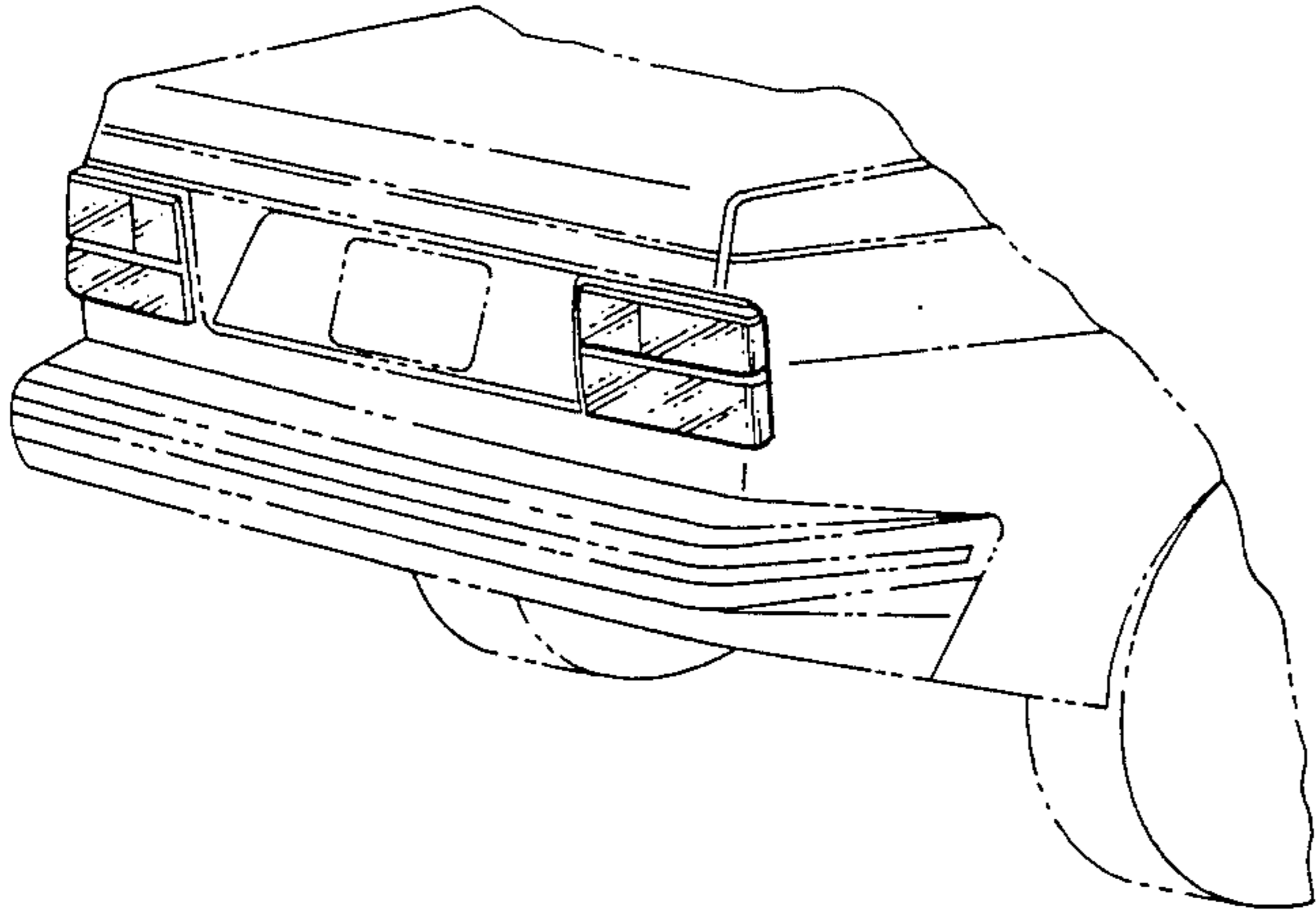


Fig. 1

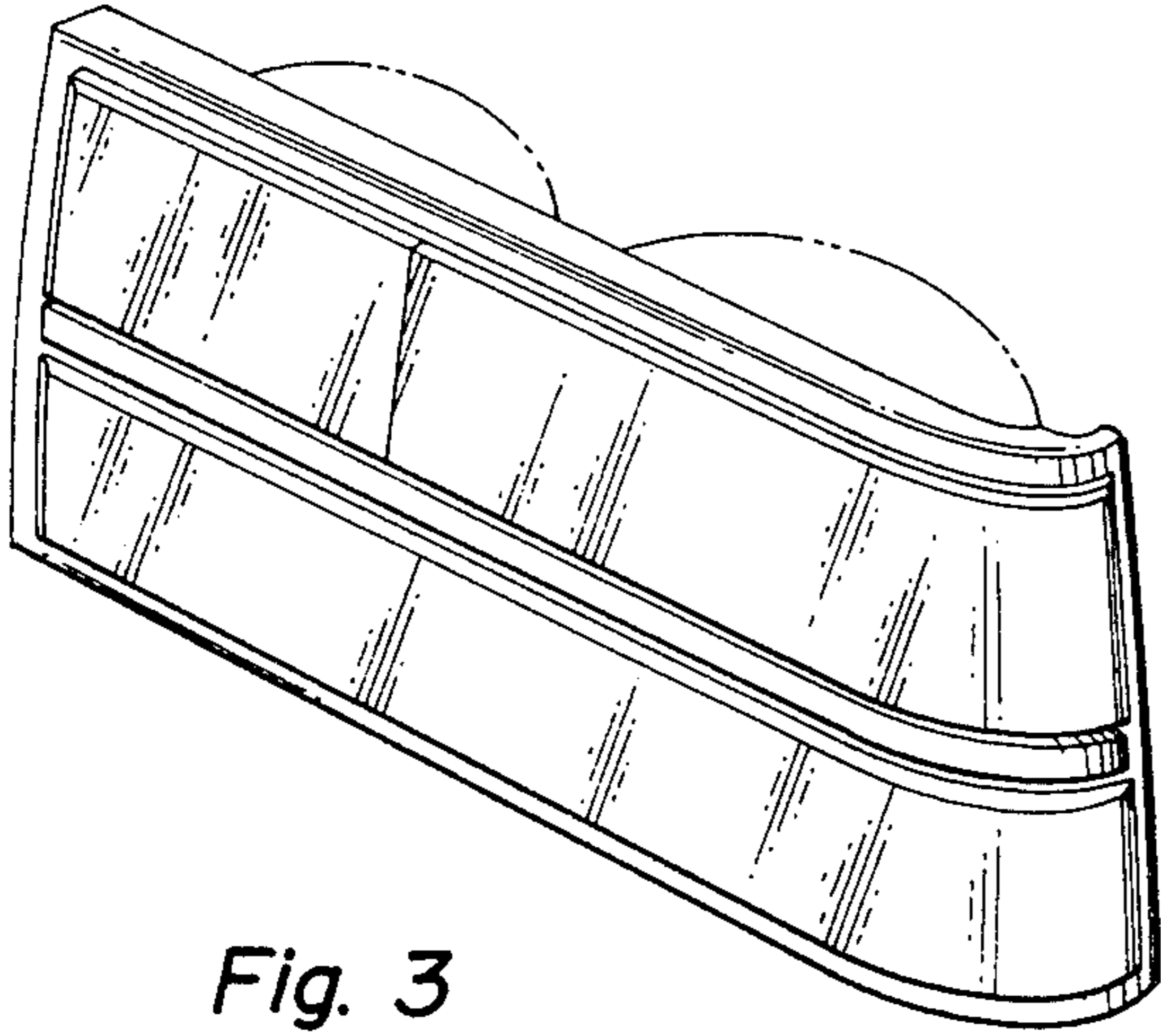


Fig. 3

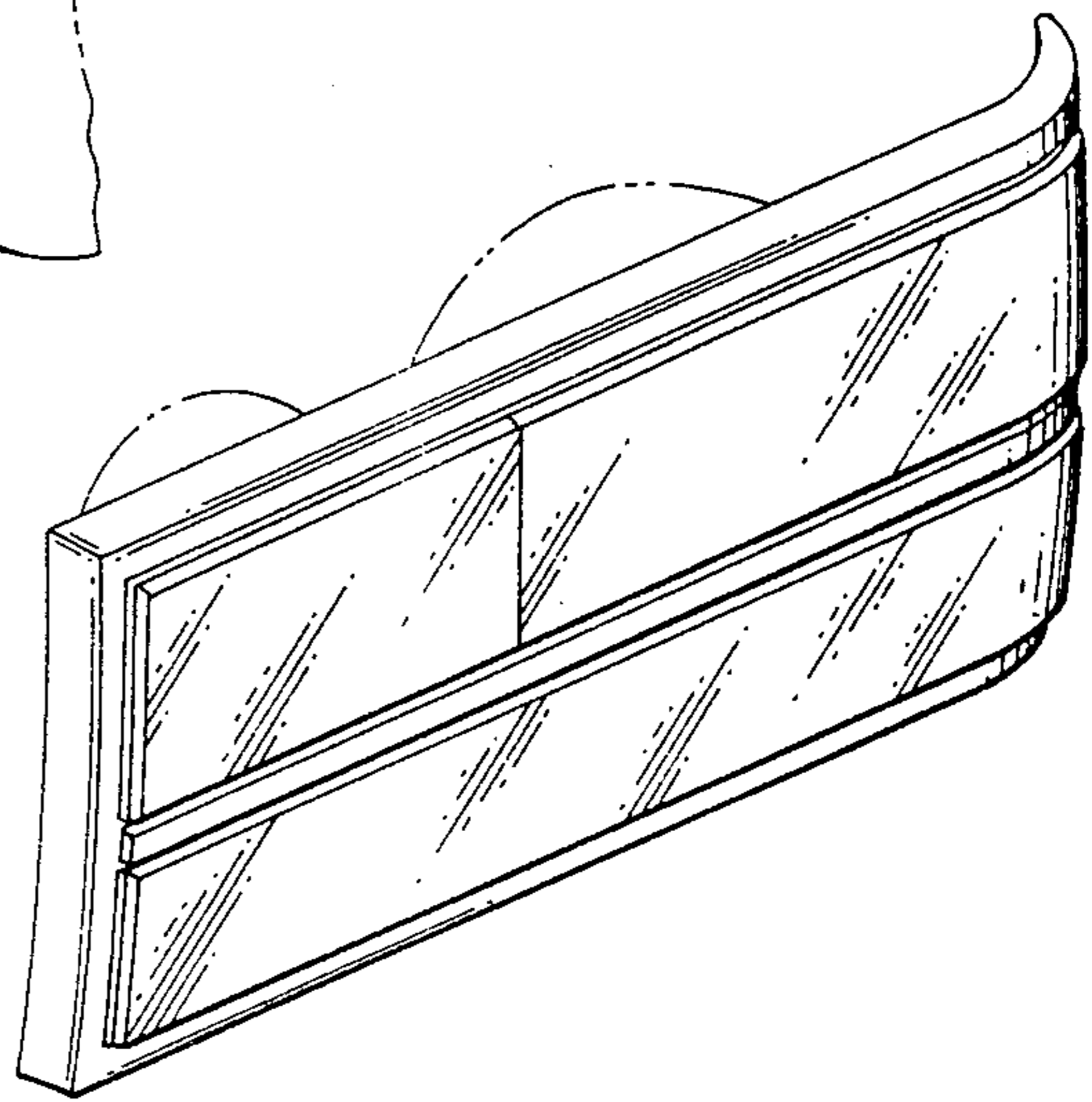


Fig. 2

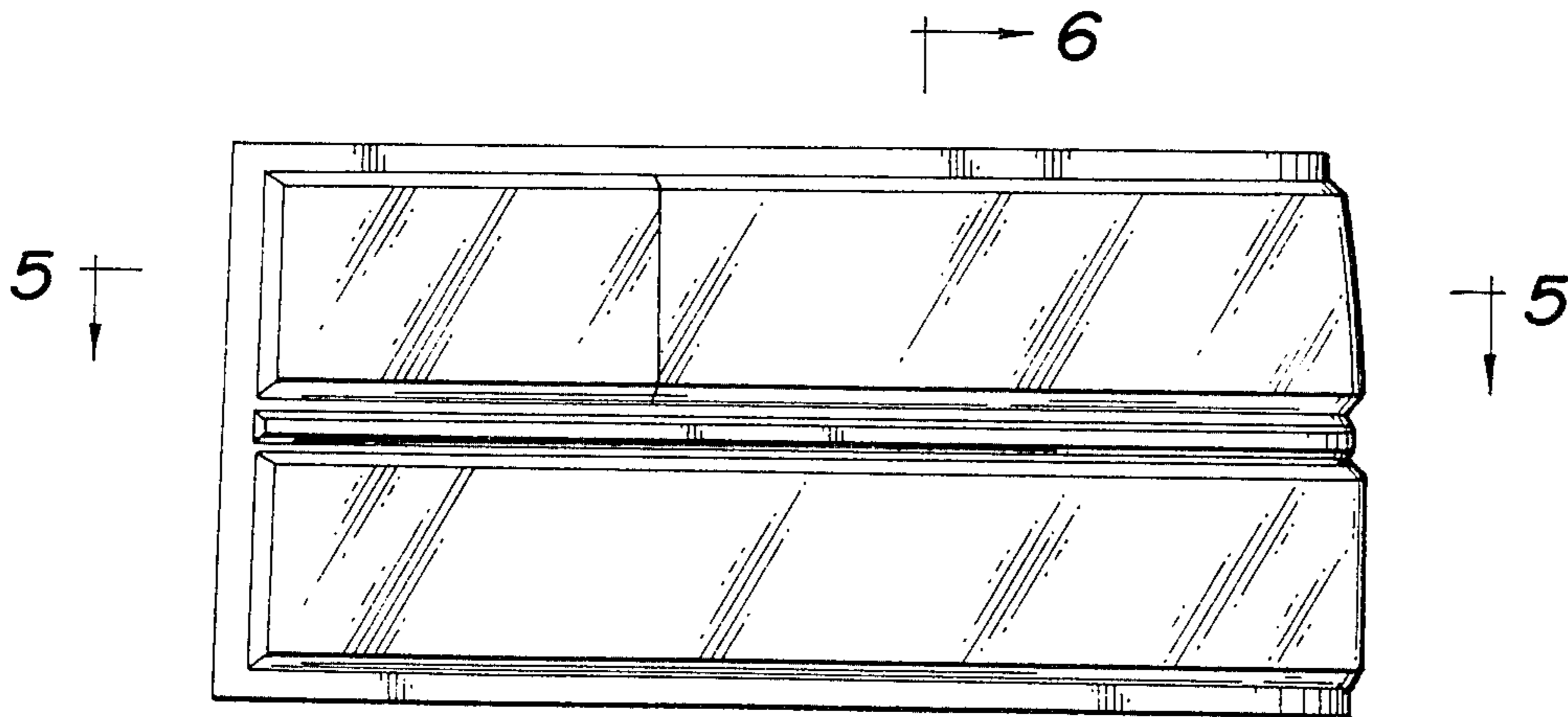


Fig. 4

Fig-5

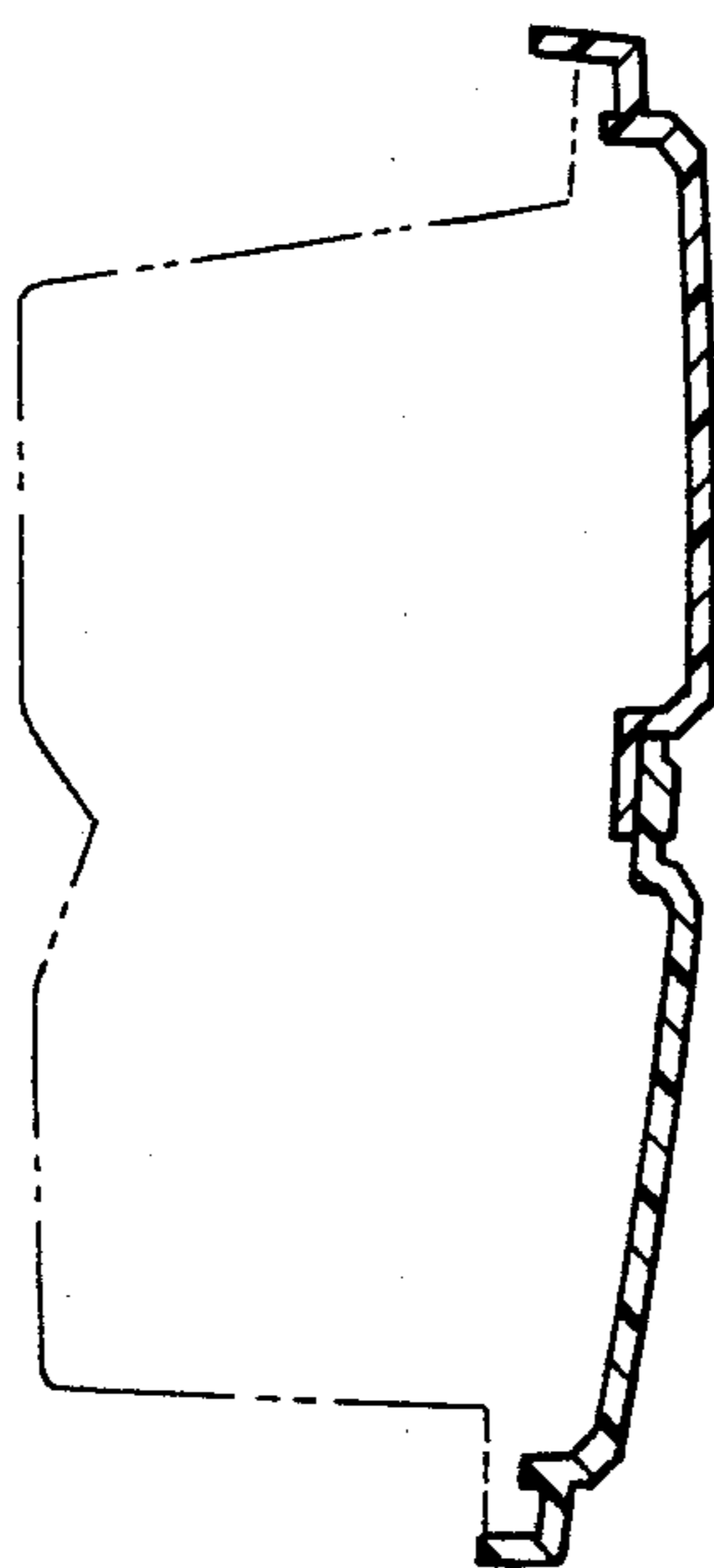
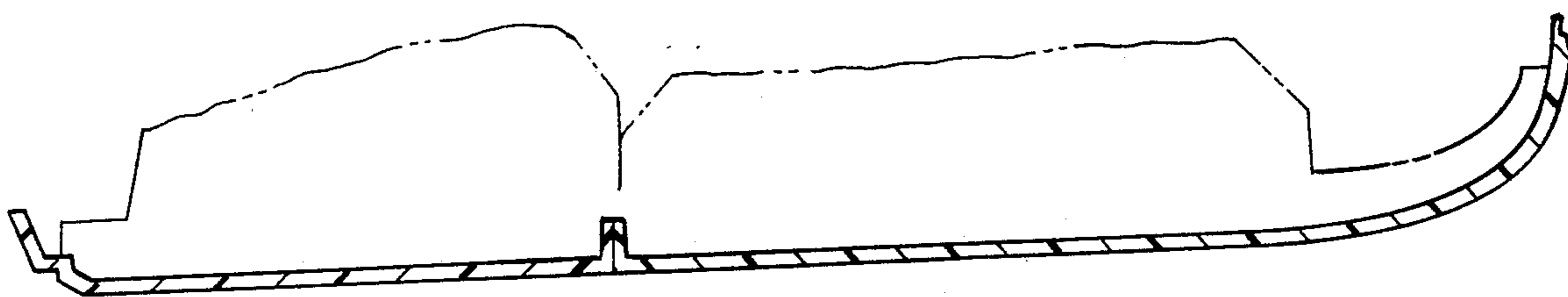


Fig-6