

[54] FRESNEL SPOTLIGHT

D. 260,300 8/1981 Aron D26/63

[75] Inventors: Ira G. McNabb, San Gabriel; Denis G. Wolfe, Agoura; Robert G. Fischette, Panorama City, all of Calif.

FOREIGN PATENT DOCUMENTS

2522767 12/1976 Fed. Rep. of Germany 362/235

[73] Assignee: Colortran, Inc., Burbank, Calif.

Primary Examiner—Susan J. Lucas
Attorney, Agent, or Firm—Christie, Parker & Hale

[**] Term: 14 Years

[57] CLAIM

The ornamental design for a fresnel spotlight, substantially as shown and described.

[21] Appl. No.: 432,208

DESCRIPTION

[22] Filed: Oct. 1, 1982

[52] U.S. Cl. D26/63

[58] Field of Search 362/294, 306, 307, 310, 362/311; D26/24, 61, 63, 65, 64; 362/227, 235, 240, 257, 269, 271, 275, 277, 279, 418, 427

FIG. 1 is a perspective view of a fresnel spotlight showing our new design;

FIG. 2 is a front elevational view thereof;

FIG. 3 is a side elevational view thereof;

FIG. 4 is a rear elevational view thereof;

FIG. 5 is a side elevational view taken from the side opposite that shown in FIG. 3;

FIG. 6 is a top plan view thereof; and

FIG. 7 is a bottom plan view thereof.

[56] References Cited

U.S. PATENT DOCUMENTS

D. 257,890 1/1981 Aron D26/63

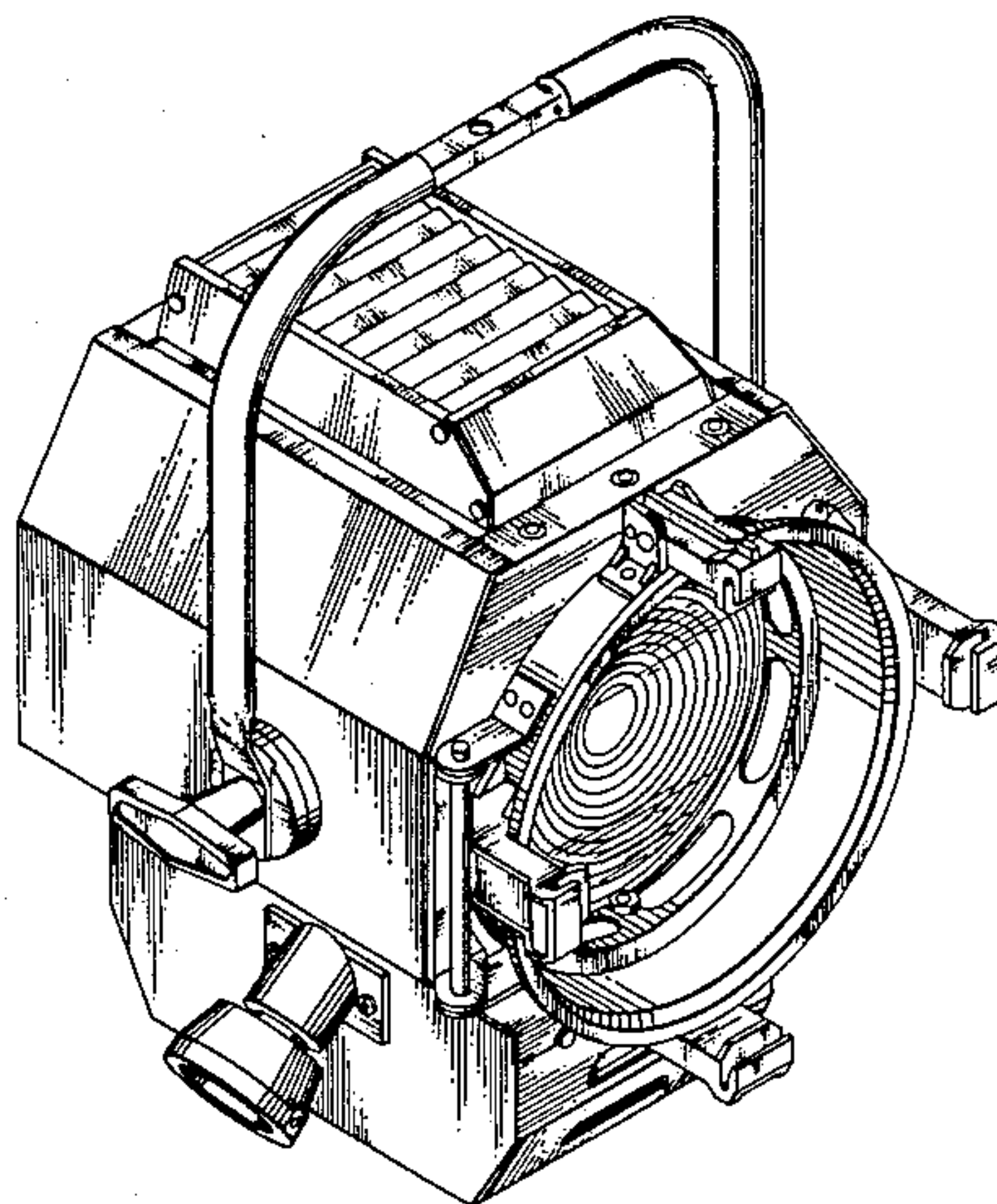


Fig. 1.

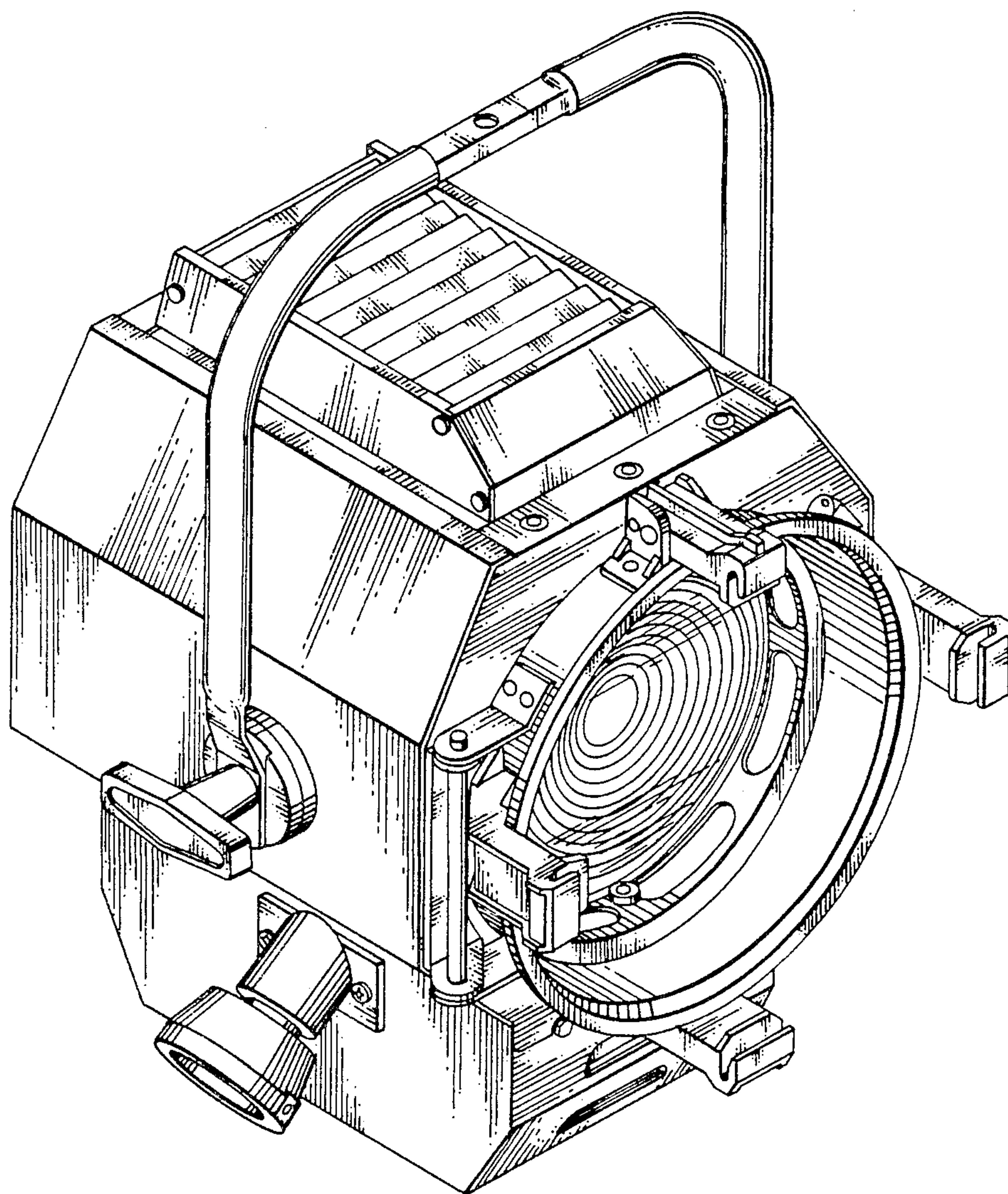


Fig. 2.

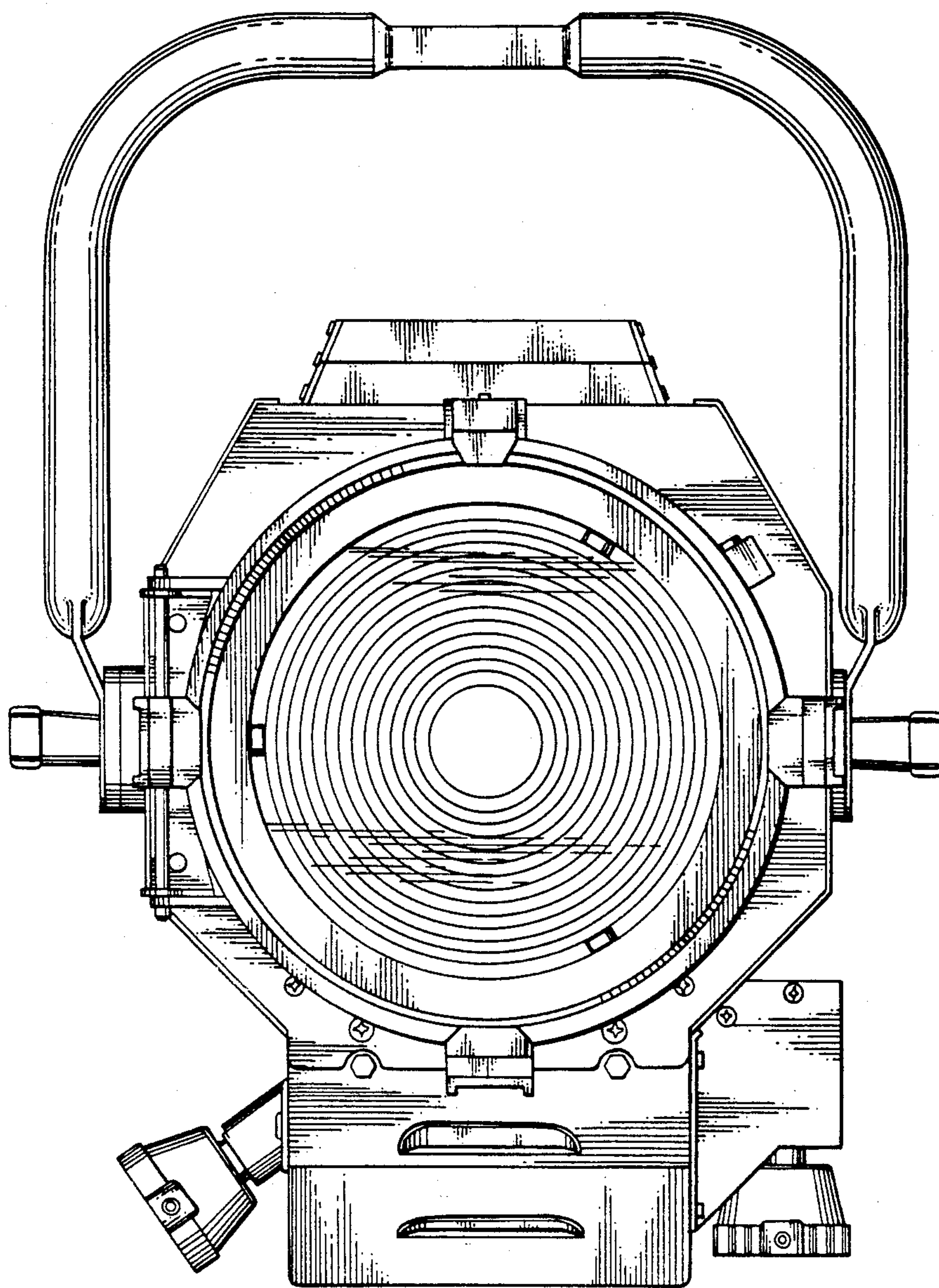


Fig. 3.

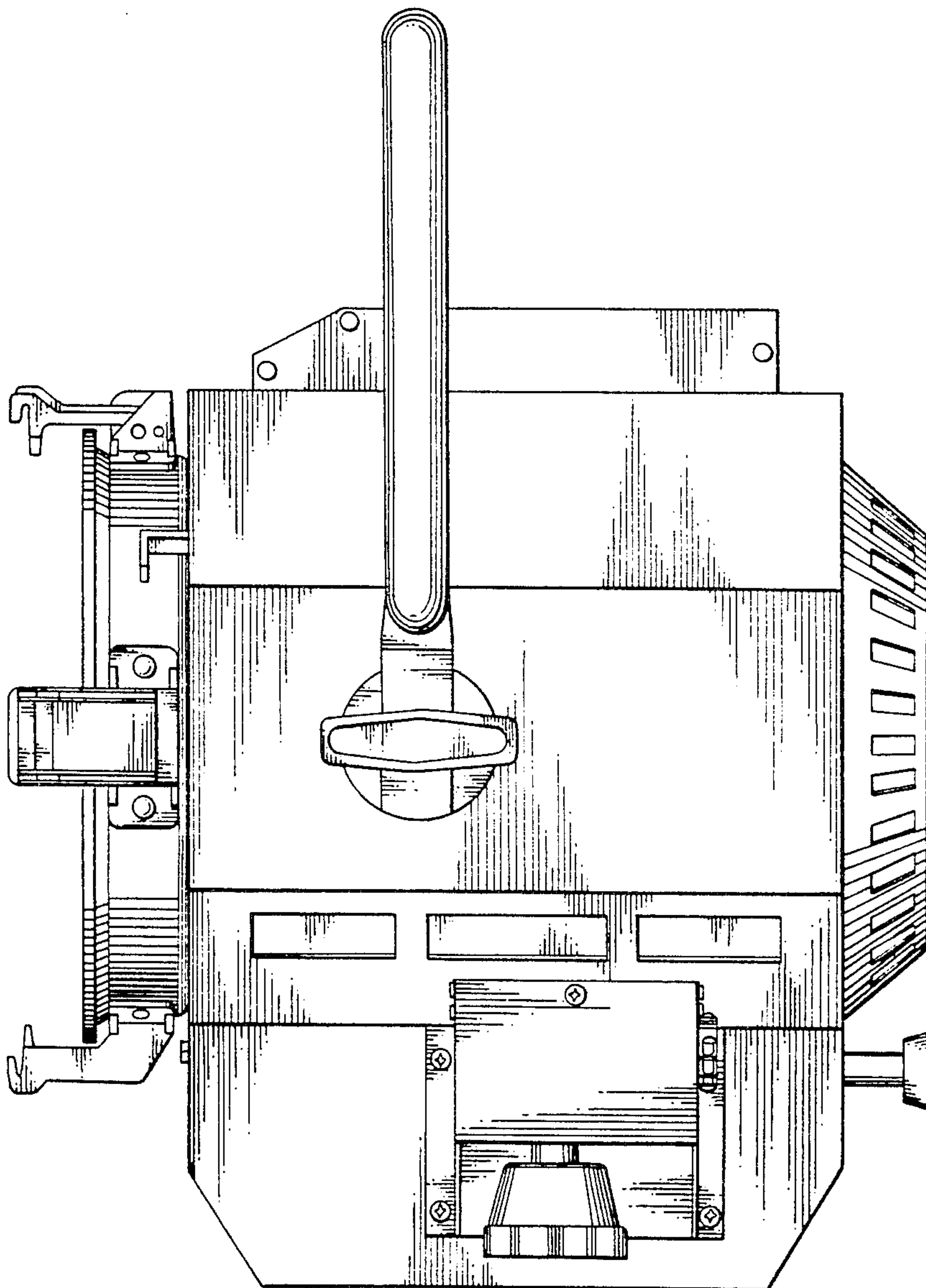


Fig. 4.

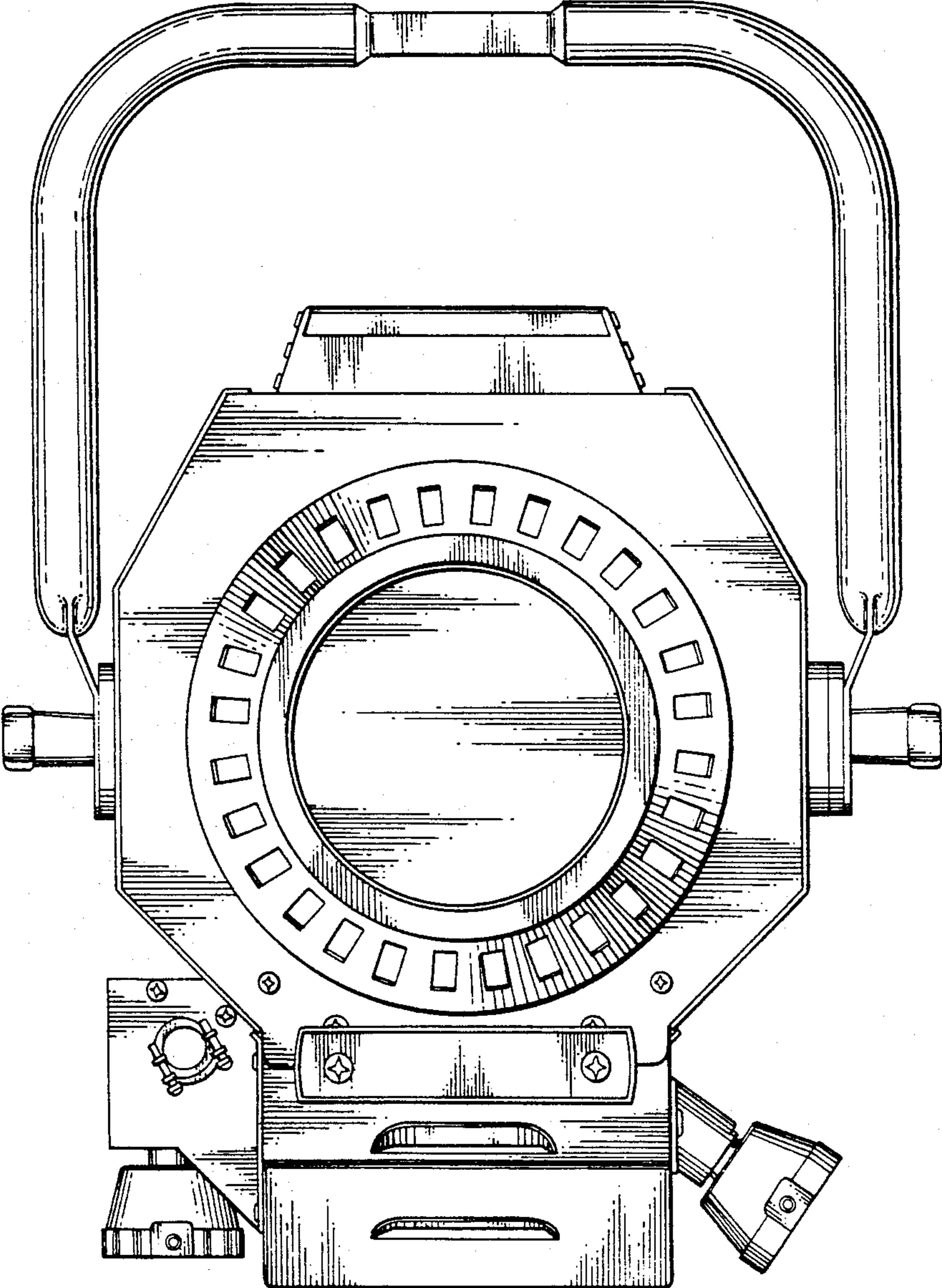


Fig. 5.

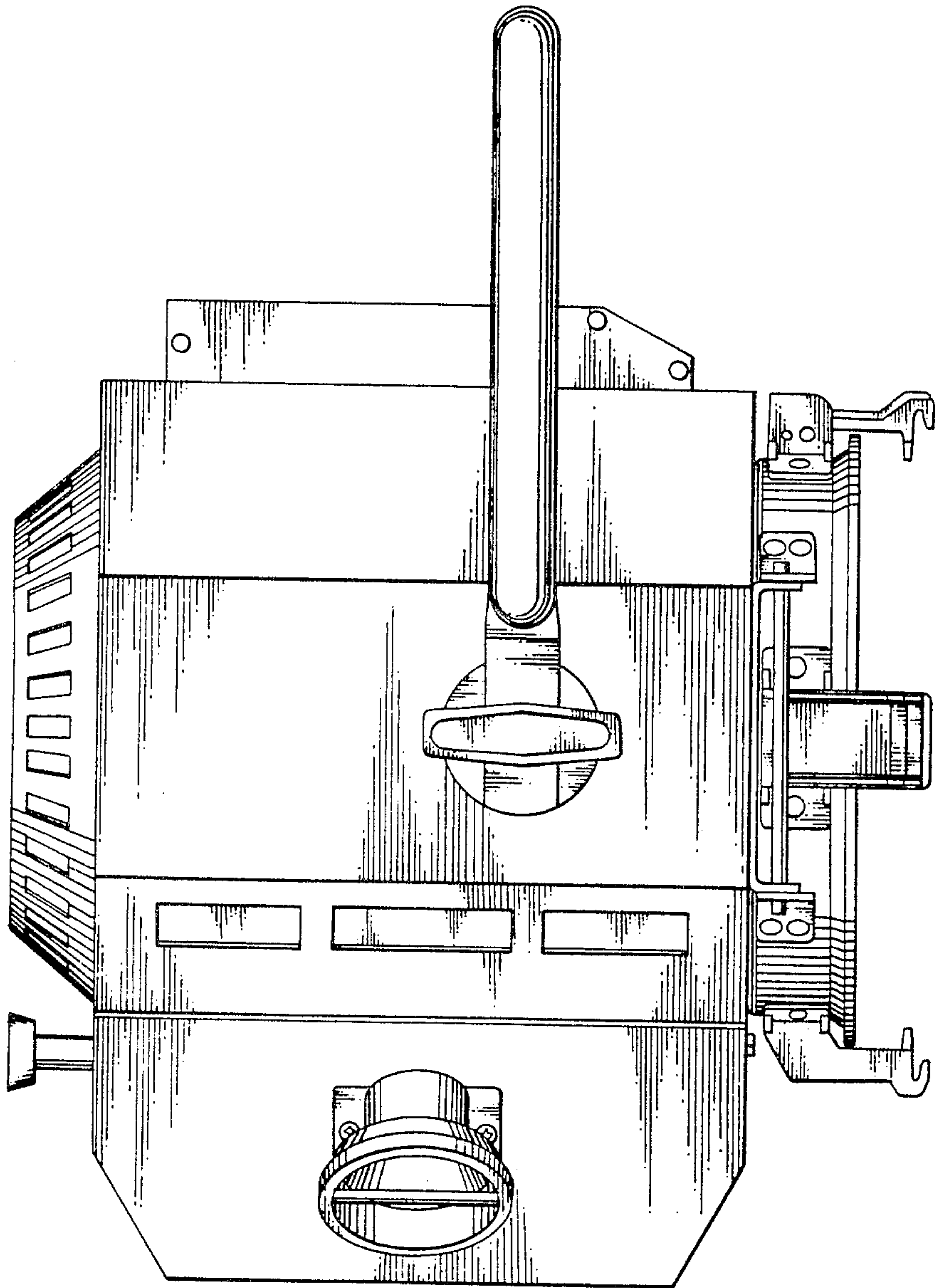


Fig. 6.

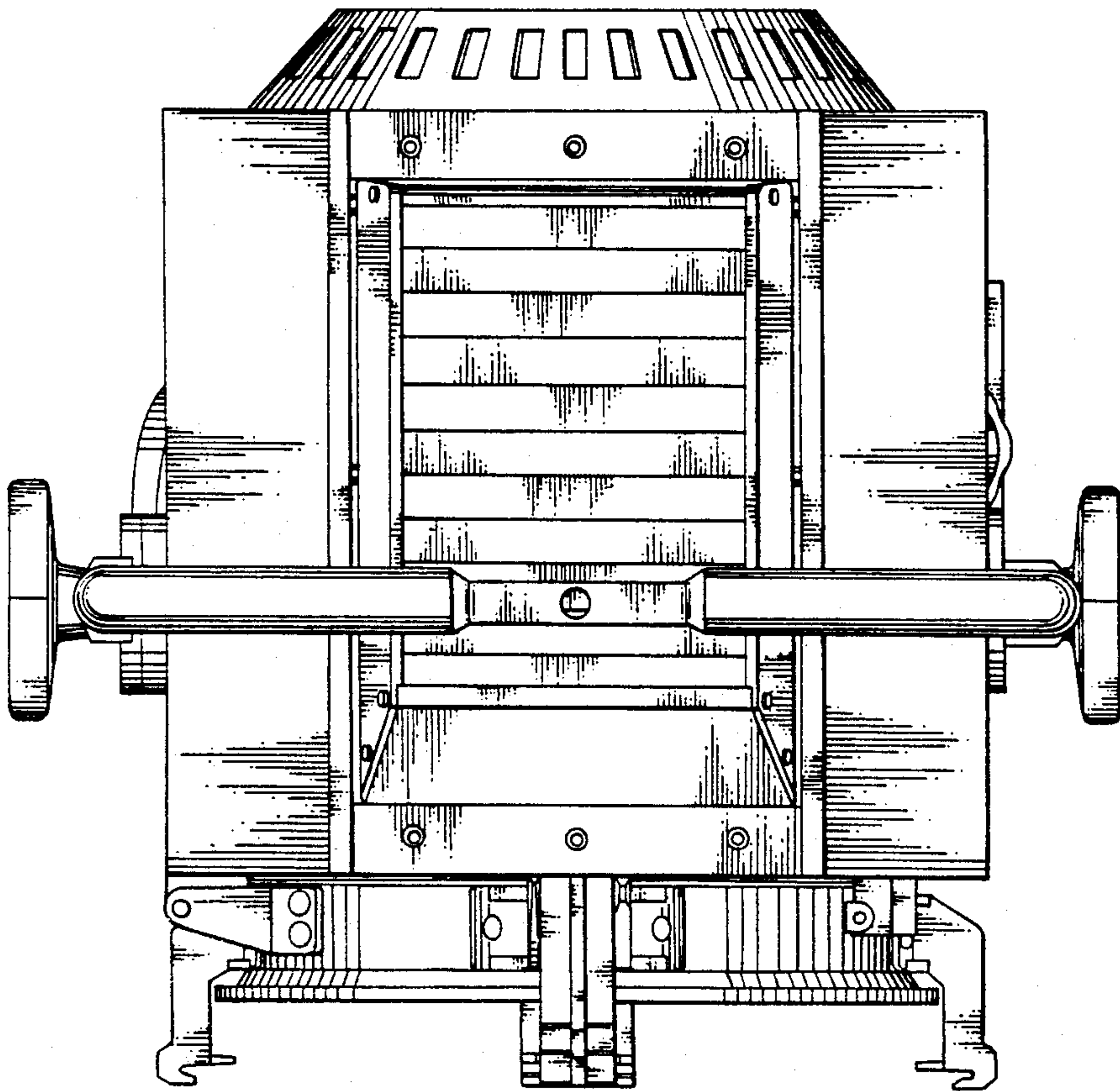


Fig. 7.

