

[54] **PORTABLE INFANT PHOTOTHERAPY LIGHT**

[76] Inventor: **Richard J. Rosenbaum**, 1621 Dover Rd., Montrose, Colo. 81401

[**] Term: **14 Years**

[21] Appl. No.: **446,365**

[22] Filed: **Jan. 21, 1983**

[52] U.S. Cl. **D24/68; D26/24**

[58] Field of Search 362/306, 307, 310, 311, 362/294, 329; D26/24, 61, 63, 65, 93; D24/68; 250/492.1, 493.1, 494.1, 496.1, 498.1, 504

[56] **References Cited**

U.S. PATENT DOCUMENTS

- D. 204,557 4/1966 Bergmans D24/68
- D. 225,561 12/1972 Mills D24/68
- 1,965,947 7/1934 Prouty 250/504

2,913,569 11/1959 Edelstein 362/235 X

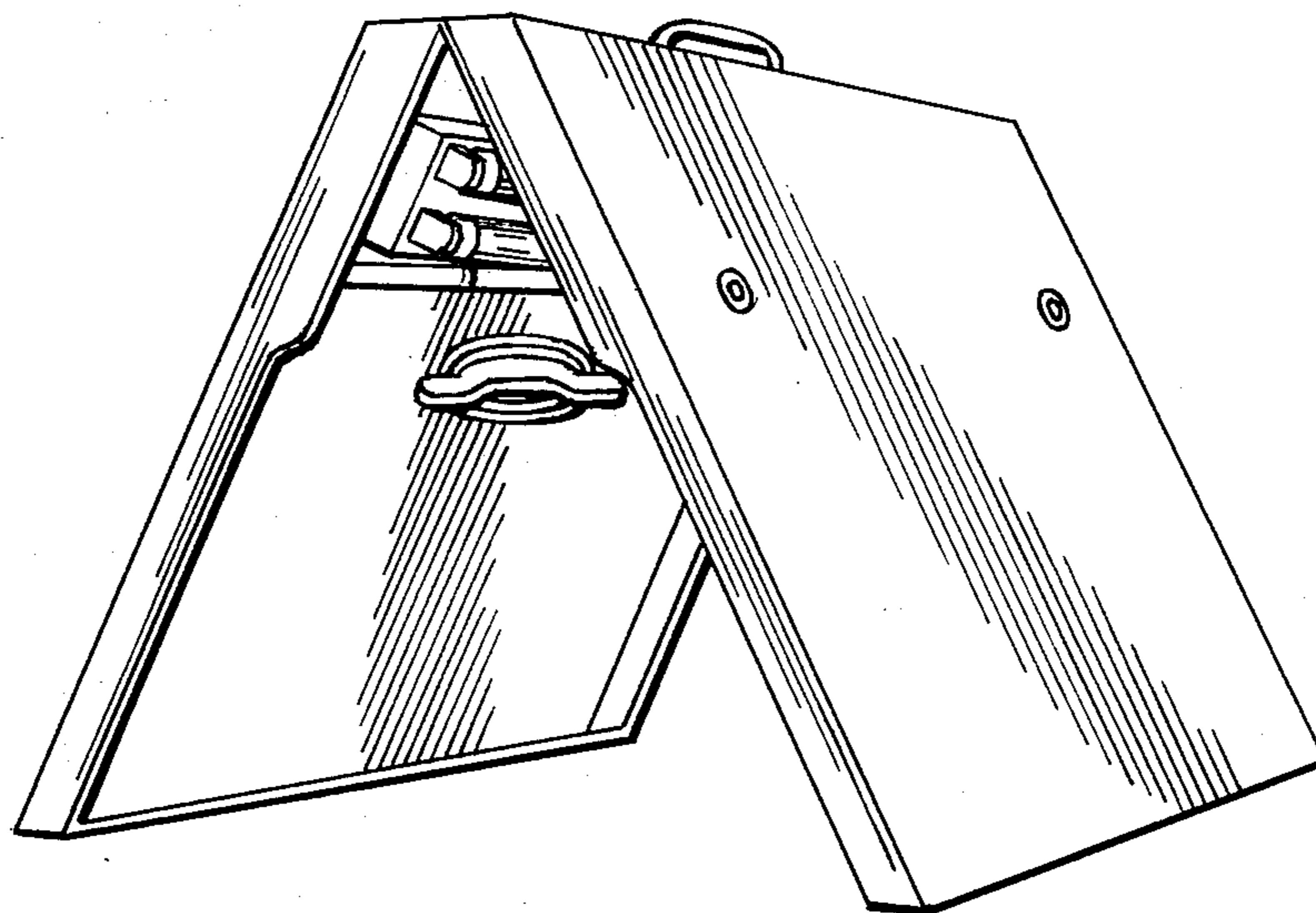
Primary Examiner—Susan J. Lucas
Attorney, Agent, or Firm—Max L. Wymore

[57] **CLAIM**

The ornamental design for a portable infant phototherapy light, as shown and described.

DESCRIPTION

FIG. 1 is a perspective elevational view of the portable infant phototherapy light in open position showing my new design;
FIG. 2 is a perspective view thereof in closed position;
FIG. 3 is a top plan view thereof in open position;
FIG. 4 is a bottom plan view thereof in open position;
FIG. 5 is a left end view of the light of FIG. 1;
FIG. 6 is a right end view thereof;
FIG. 7 is a front elevational view thereof; and,
FIG. 8 is a rear elevational view thereof.



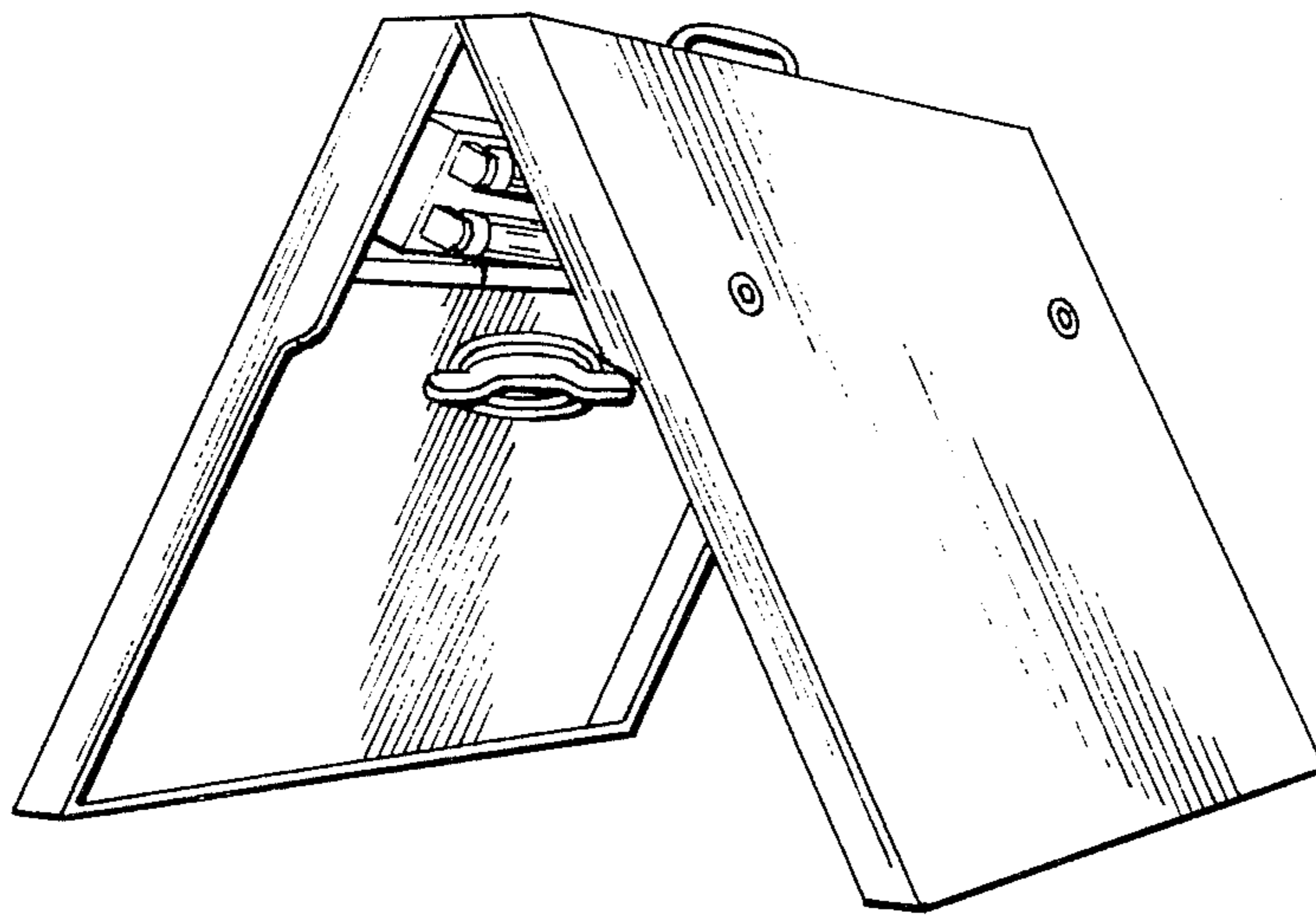


FIG. 1

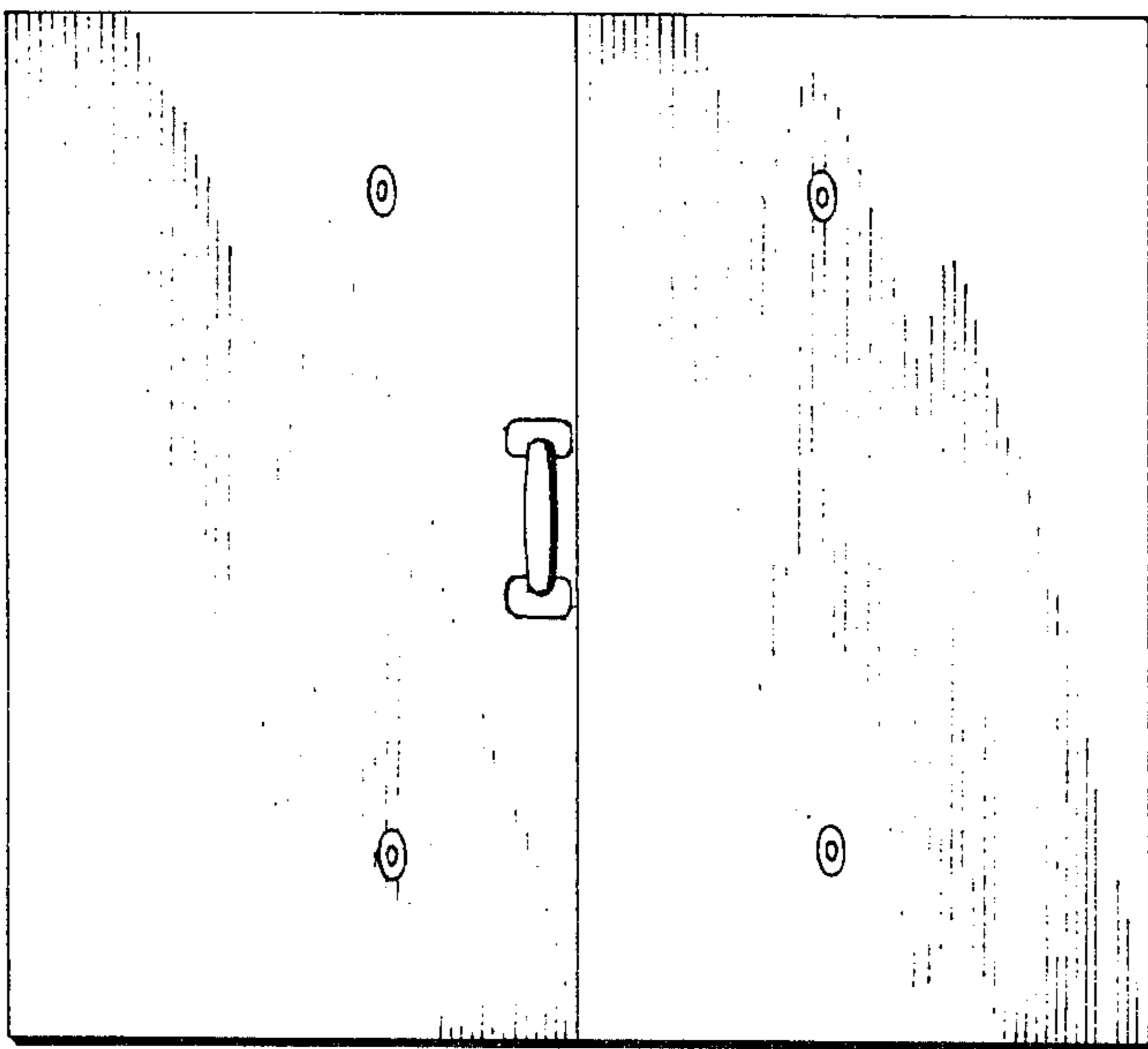


FIG. 3

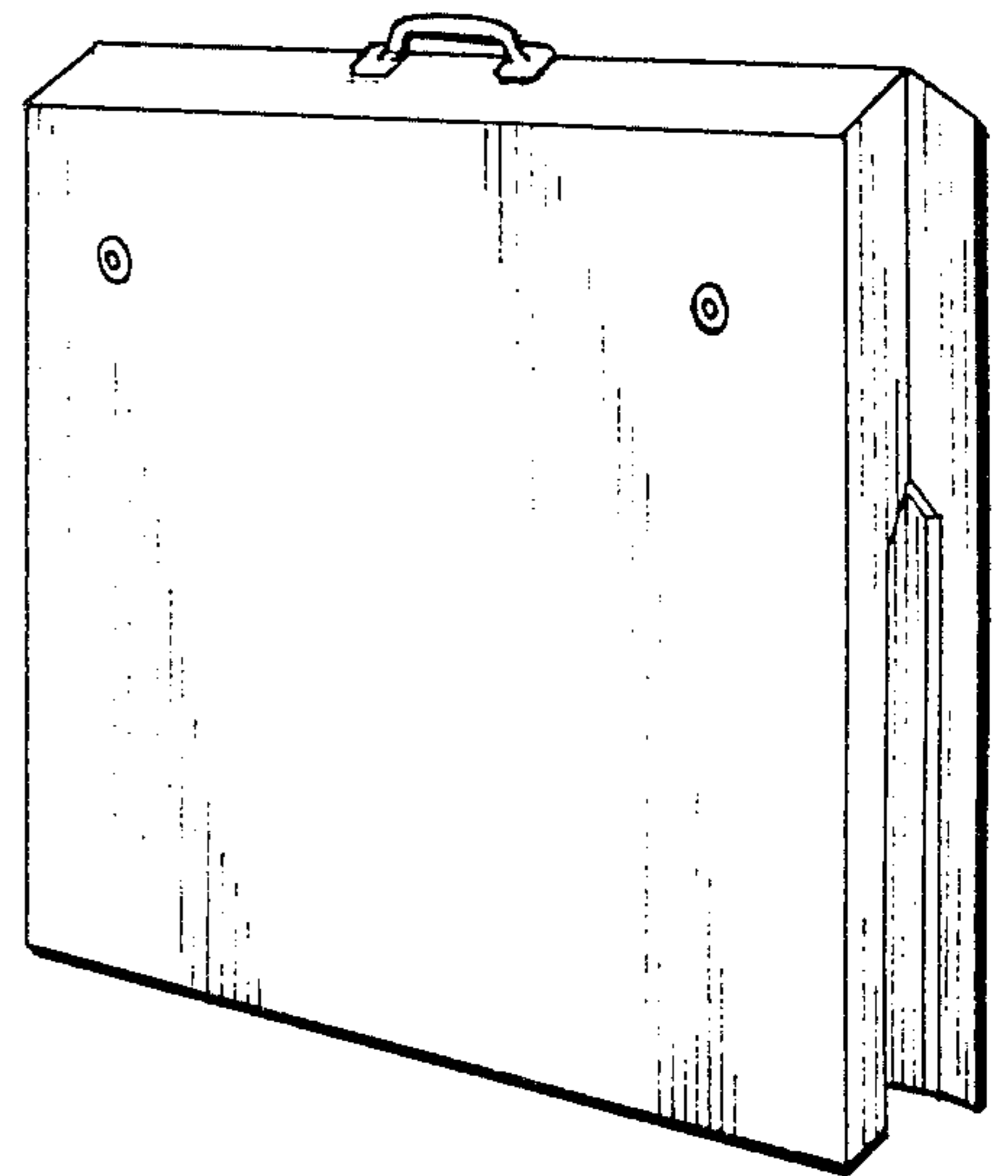


FIG. 2

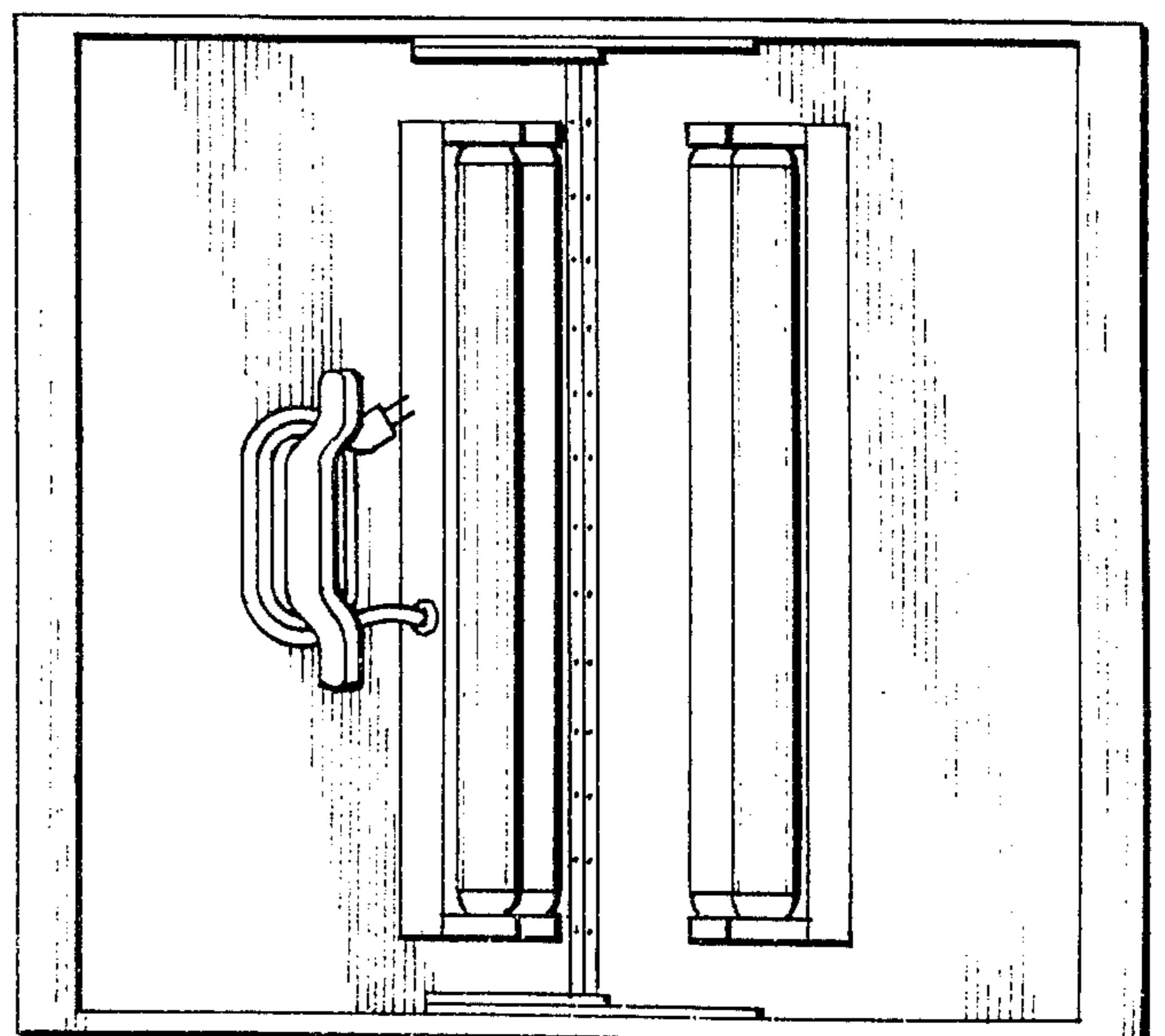


FIG. 4

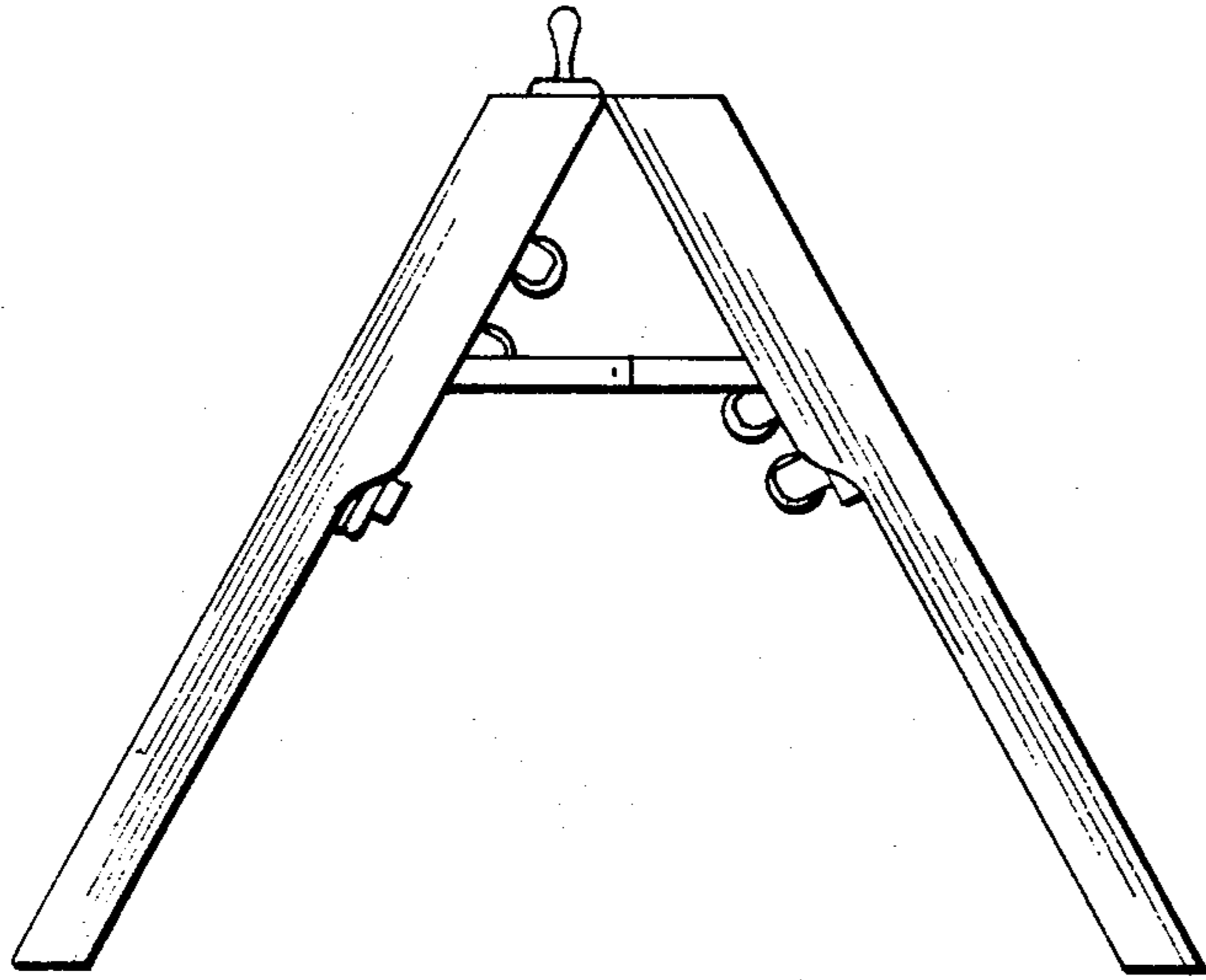


FIG. 5

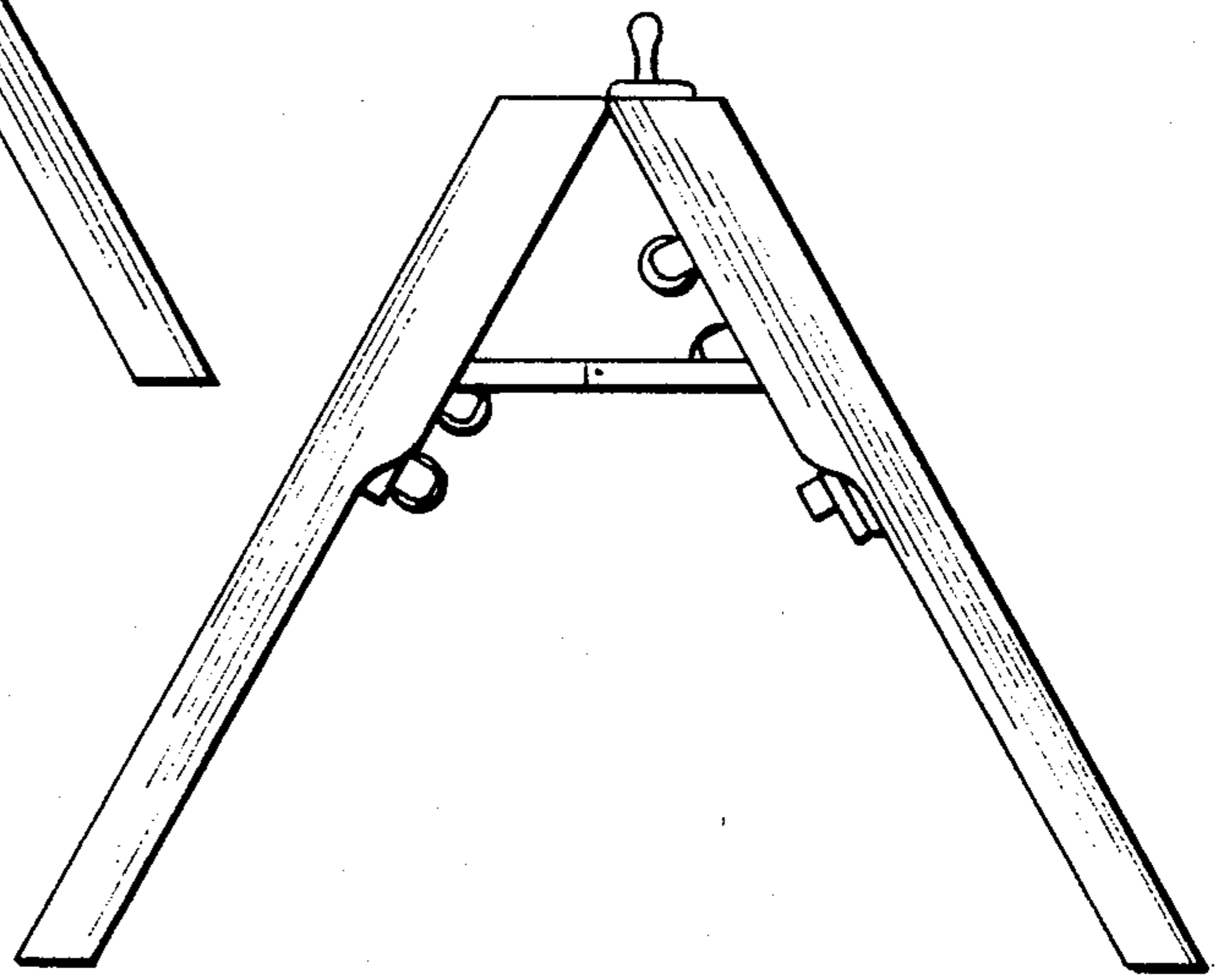


FIG. 6

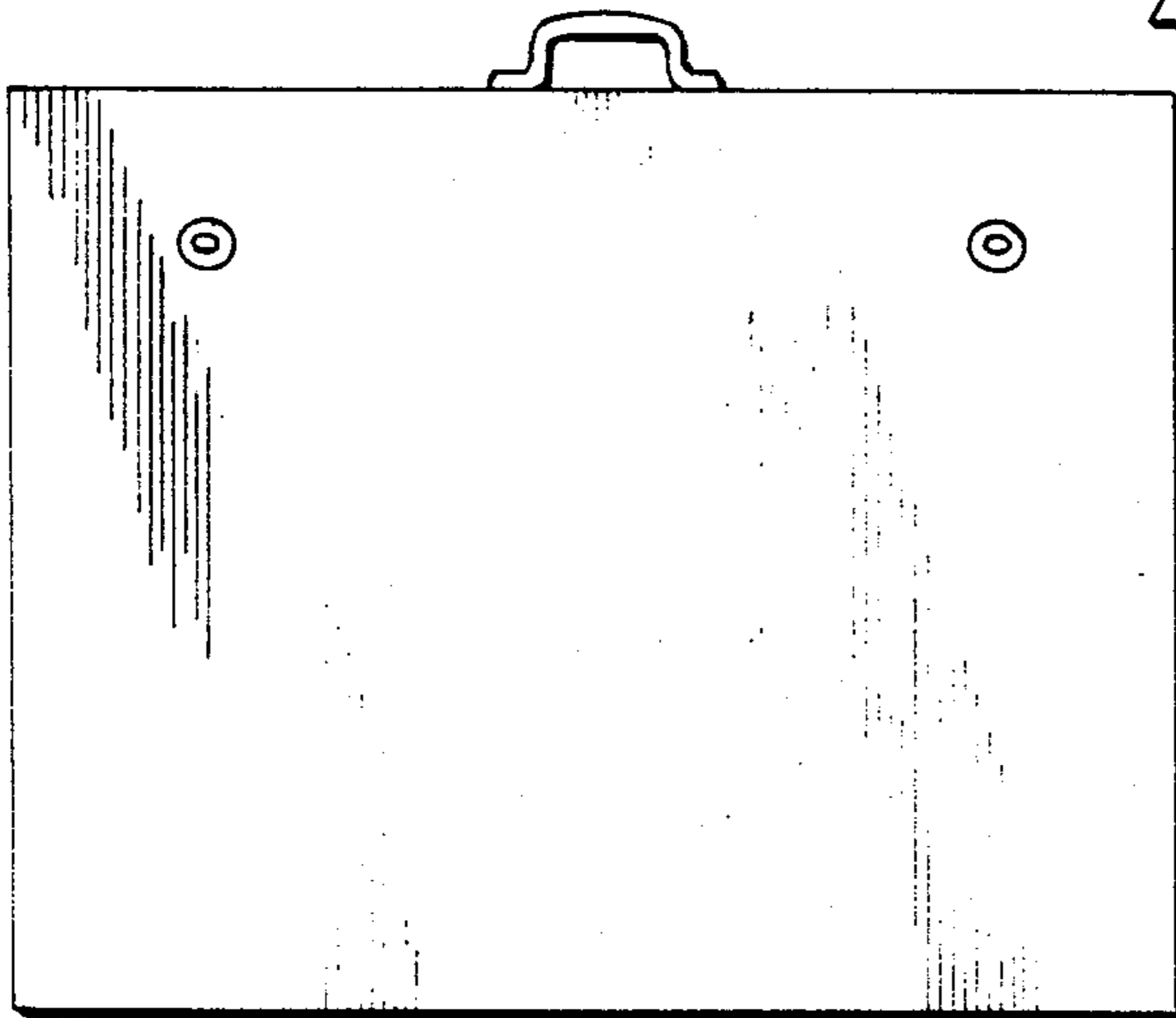


FIG. 7

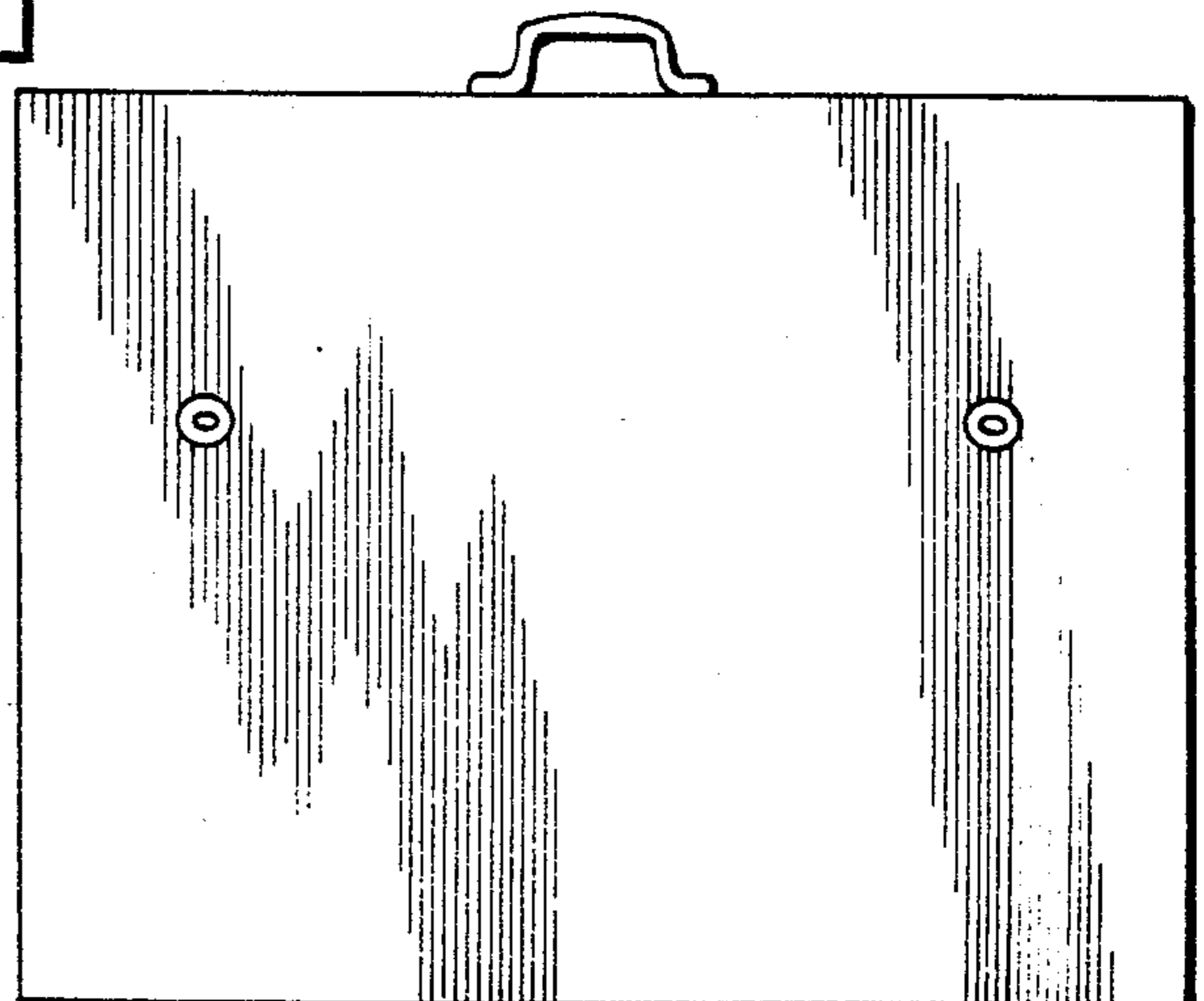


FIG. 8