

United States Patent [19]

Niemann et al.

[11] Patent Number: **Des. 279,923**

[45] Date of Patent: **** Jul. 30, 1985**

[54] **COMBINED BASE AND SPOUT FOR A SANITARY FITTING OR SIMILAR ARTICLE**

[75] Inventors: **James E. Niemann, Louisville, Ky.; Henry M. Stairs, Jr., Neshanic, N.J.**

[73] Assignee: **American Standard Inc., New York, N.Y.**

[**] Term: **14 Years**

[21] Appl. No.: **383,913**

[22] Filed: **Jun. 1, 1982**

[52] U.S. Cl. **D23/32**

[58] Field of Search **D23/23-32;**
4/191, 192; 137/606, 801

[56] **References Cited**

U.S. PATENT DOCUMENTS

D. 187,845	5/1960	Kohler	D23/32
D. 193,885	10/1962	Andrews	D23/23
D. 203,246	12/1965	Harvey	D23/23
D. 213,874	4/1969	Landell et al.	D23/23
D. 219,740	1/1971	Niemann	D23/32
D. 219,779	1/1971	Tiller	D23/23
D. 227,467	6/1973	Genaro et al.	D23/32

D. 235,546	6/1975	Landell	D23/32
D. 243,607	3/1977	Mono et al.	D23/32
D. 253,799	1/1980	Saporito et al.	D23/25
D. 265,229	6/1982	Paul	D23/25

OTHER PUBLICATIONS

Domestic Engineering, Mar. 1964, pp. 102 & 103.

Primary Examiner—James R. Largen

Attorney, Agent, or Firm—James J. Salerno, Jr.; Robert G. Crooks; John P. Sinnott

[57] **CLAIM**

The ornamental design for a combined base and spout for a sanitary fitting or similar article, substantially as shown and described.

DESCRIPTION

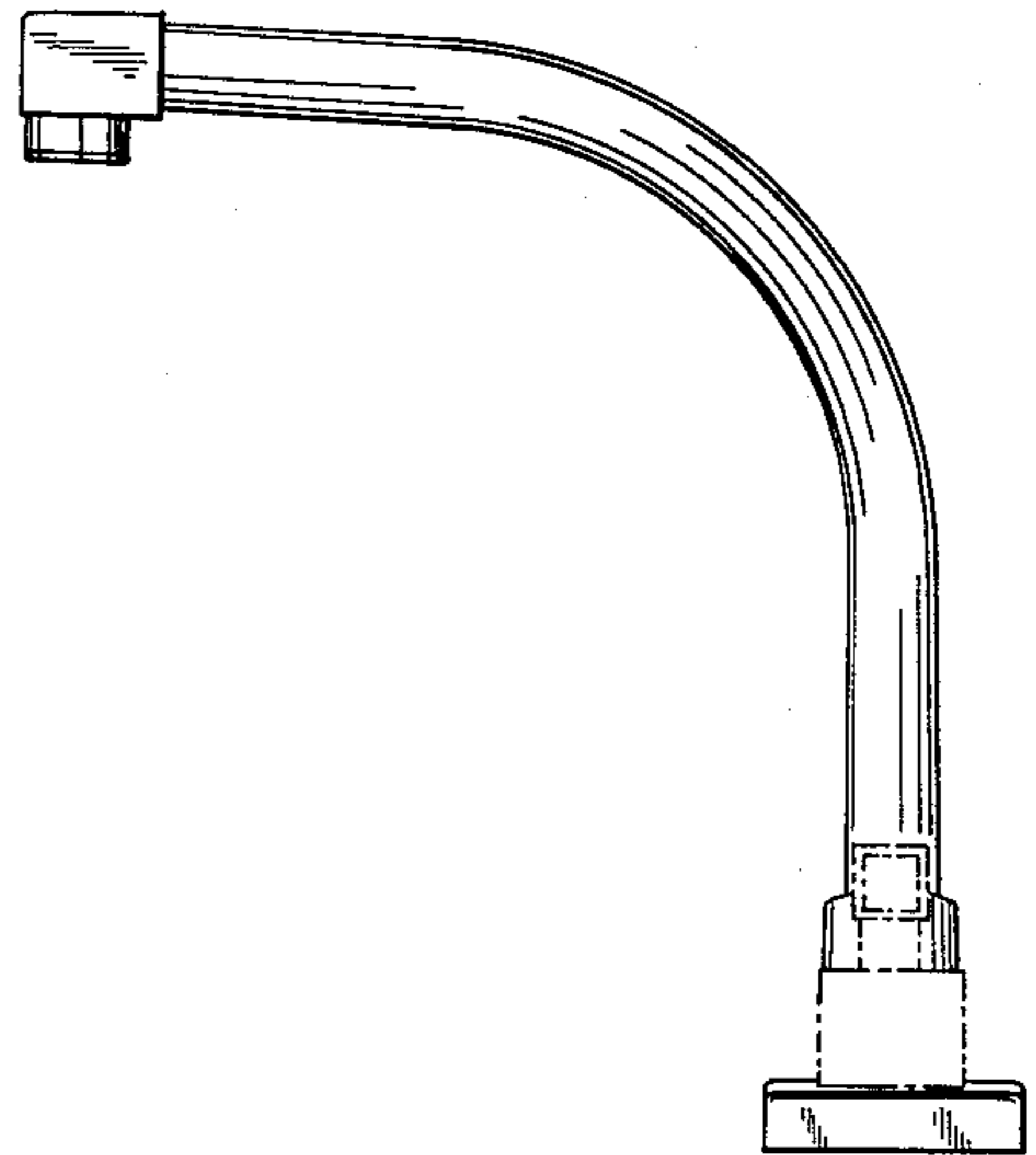
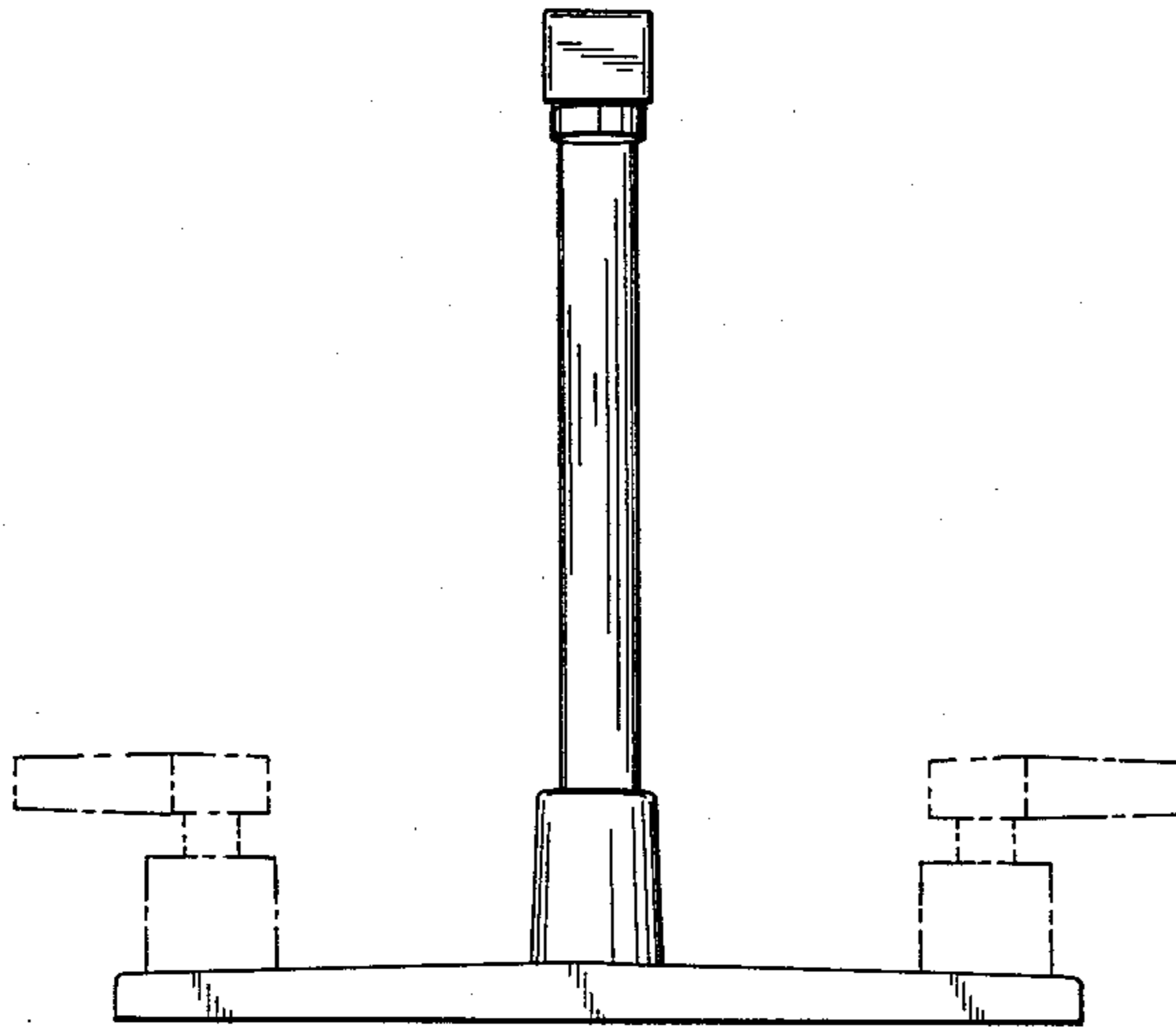
FIG. 1 is a front elevational view of a combined base and spout for a sanitary fitting embodying my new design;

FIG. 2 is a top plan view thereof;

FIG. 3 is a right side elevational view thereof, the left side being a mirror image of the right side shown;

FIG. 4 is a rear elevational view thereof.

The broken line representation of faucet handles in FIGS. 1 through 4 is for purposes of illustration only.



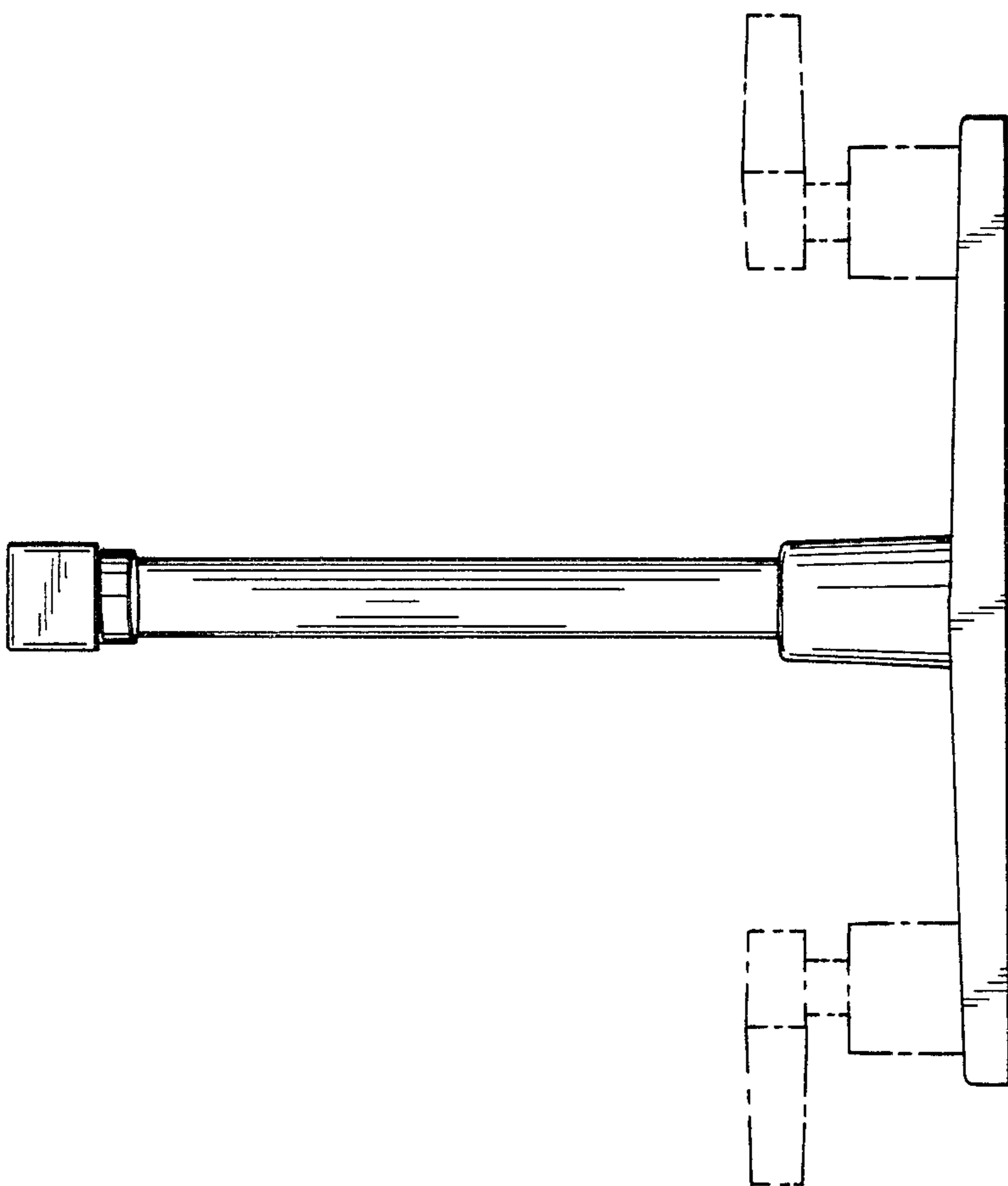
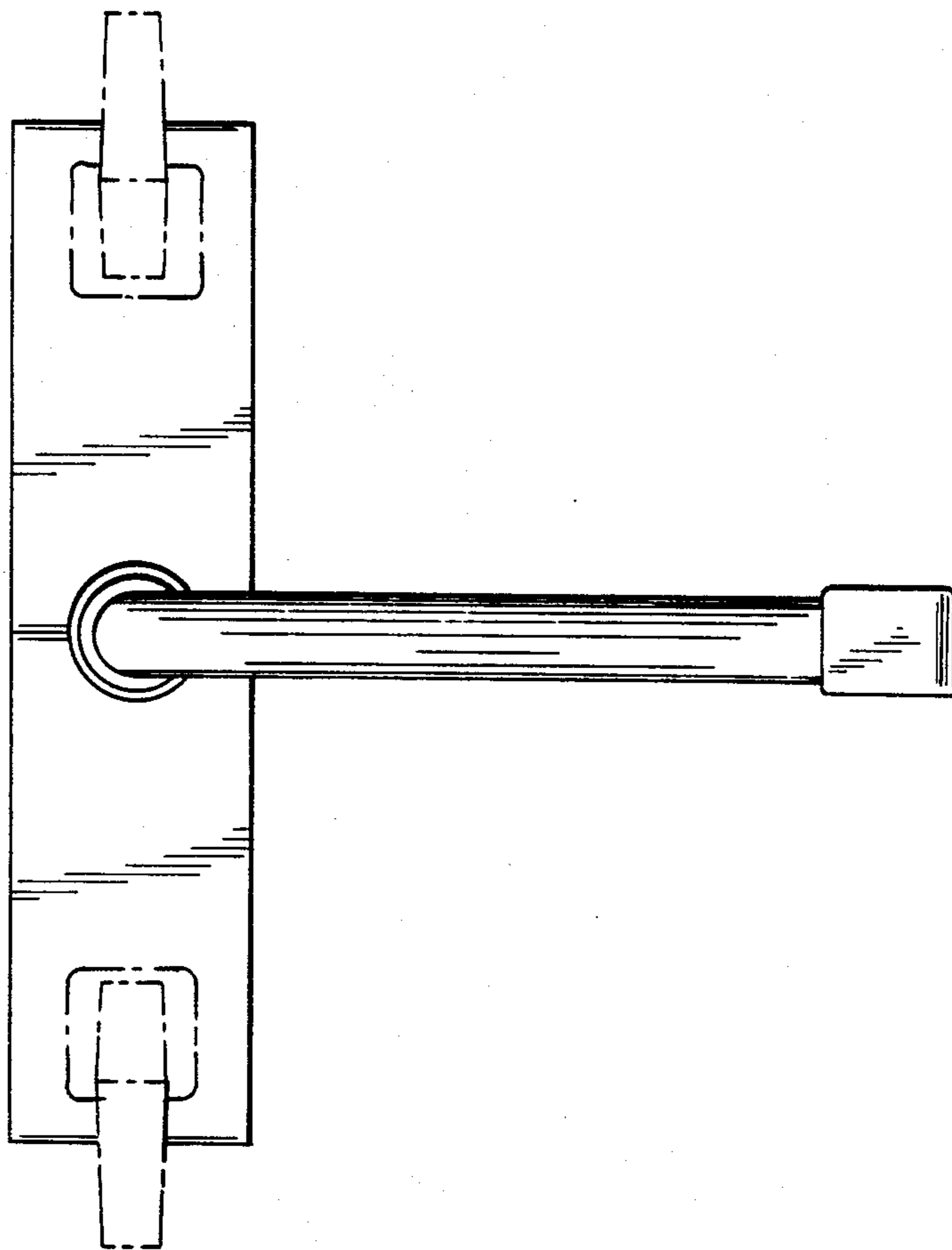


FIG. 1

FIG. 2



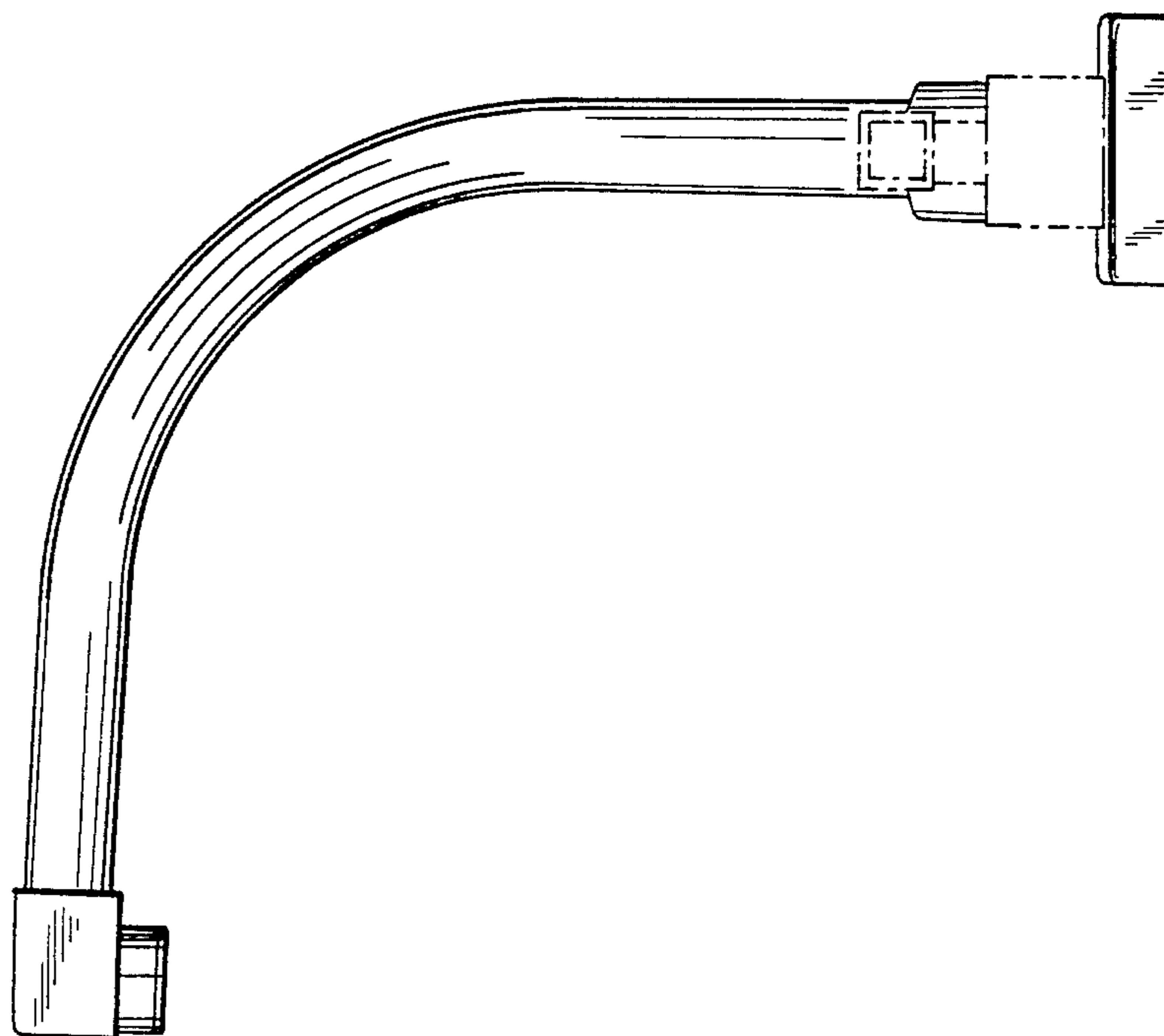


FIG. 3

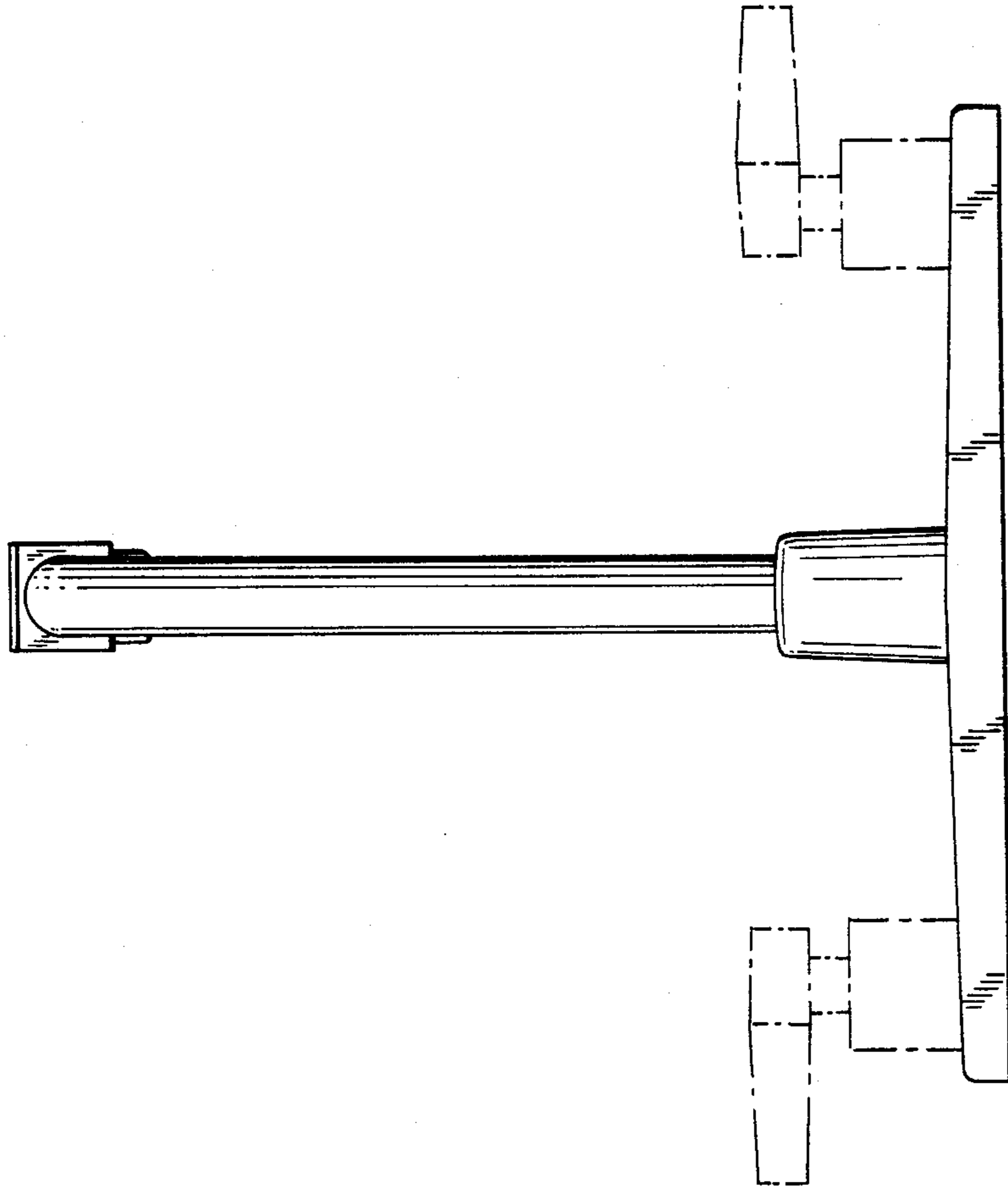


FIG. 4