

[54] TELESCOPING FILL NECK FOR A WATERBED MATTRESS

4,212,335 7/1980 Bova ..... 141/382  
4,386,638 6/1983 Hall et al. .... 141/382 X

[76] Inventor: Anthony J. Bova, 1133 N. Broadway, Stockton, Calif. 95205

Primary Examiner—James R. Largen  
Attorney, Agent, or Firm—Lothrop & West

[\*\*] Term: 14 Years

[57] CLAIM

[21] Appl. No.: 447,383

The ornamental design for a telescoping fill neck for a waterbed mattress, as shown and described.

[22] Filed: Dec. 6, 1982

[52] U.S. Cl. .... D23/27; D23/1; 141/382

DESCRIPTION

[58] Field of Search ..... D6/201; D23/18, 19-22; 141/382; D23/27; D21/237

FIG. 1 is a perspective view of a telescoping fill neck for a waterbed mattress, showing my new design; FIG. 2 is a side elevational view thereof, the other side being the same as the side shown; FIG. 3 is a top plan view, thereof; FIG. 4 is a bottom plan view, thereof; and, FIG. 5 is a median cross sectional view thereof, showing the telescoping fill neck in a retracted position. The fragmentary broken line representation of a waterbed mattress in FIG. 5 is for purposes of illustration only and forms no part of the claimed design.

[56] References Cited

U.S. PATENT DOCUMENTS

- D. 263,066 2/1982 Merino et al. .... D21/237
- D. 263,866 4/1982 Messenger ..... D23/27
- D. 268,722 4/1983 Bova ..... D6/201
- D. 276,299 11/1984 Reardon ..... D23/19
- 3,797,538 3/1974 Mollura ..... 141/382 X

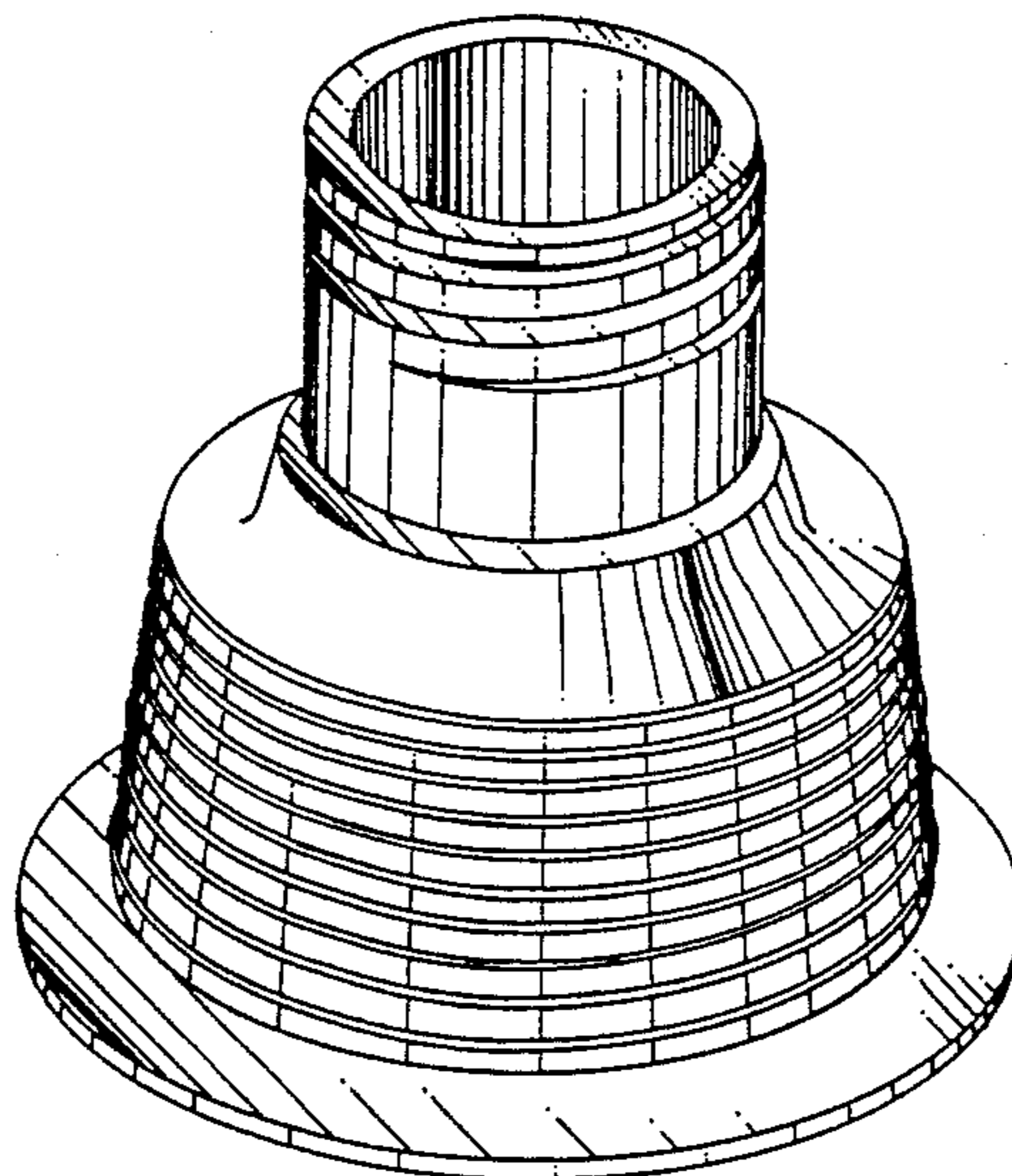


FIG - 1

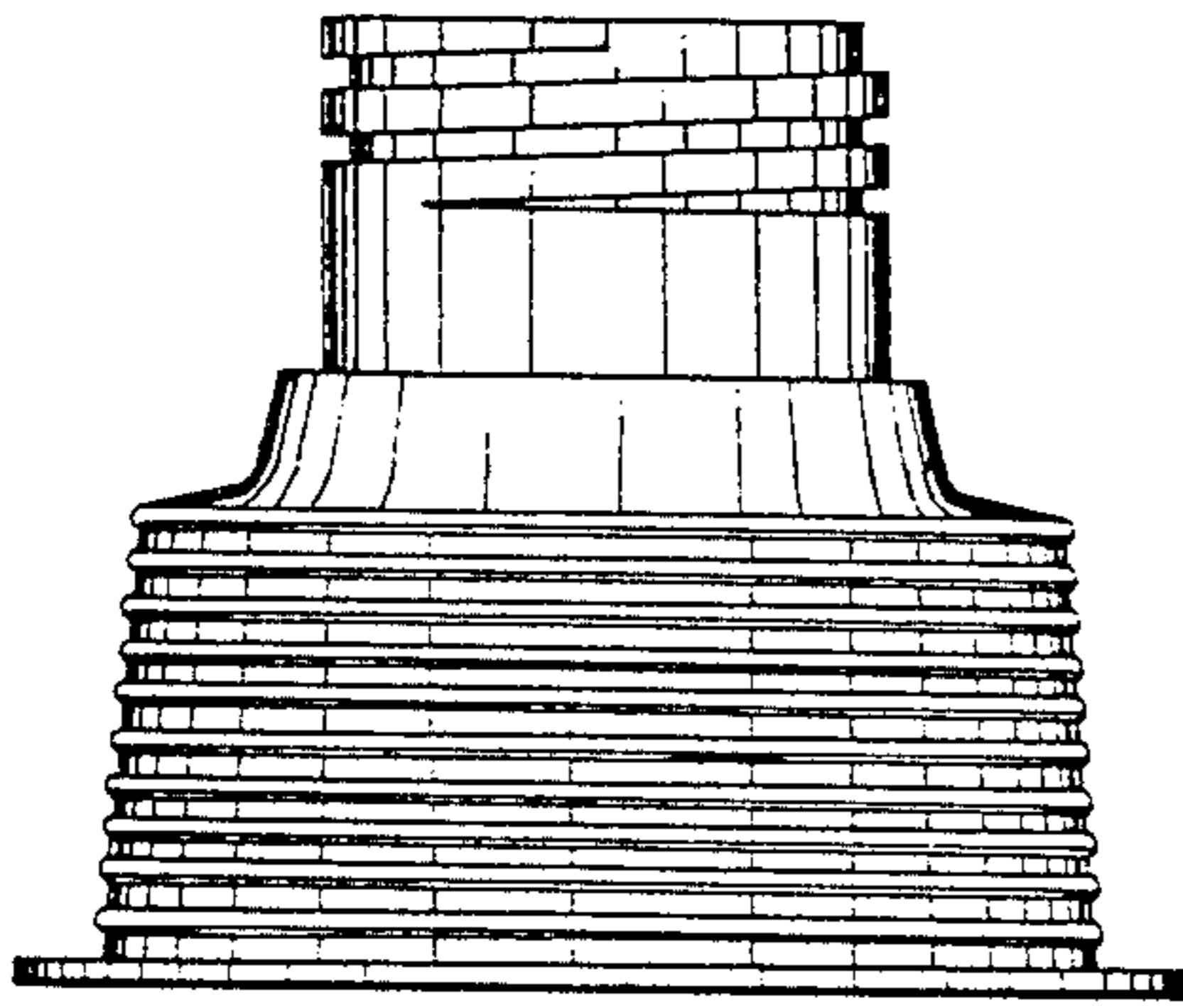
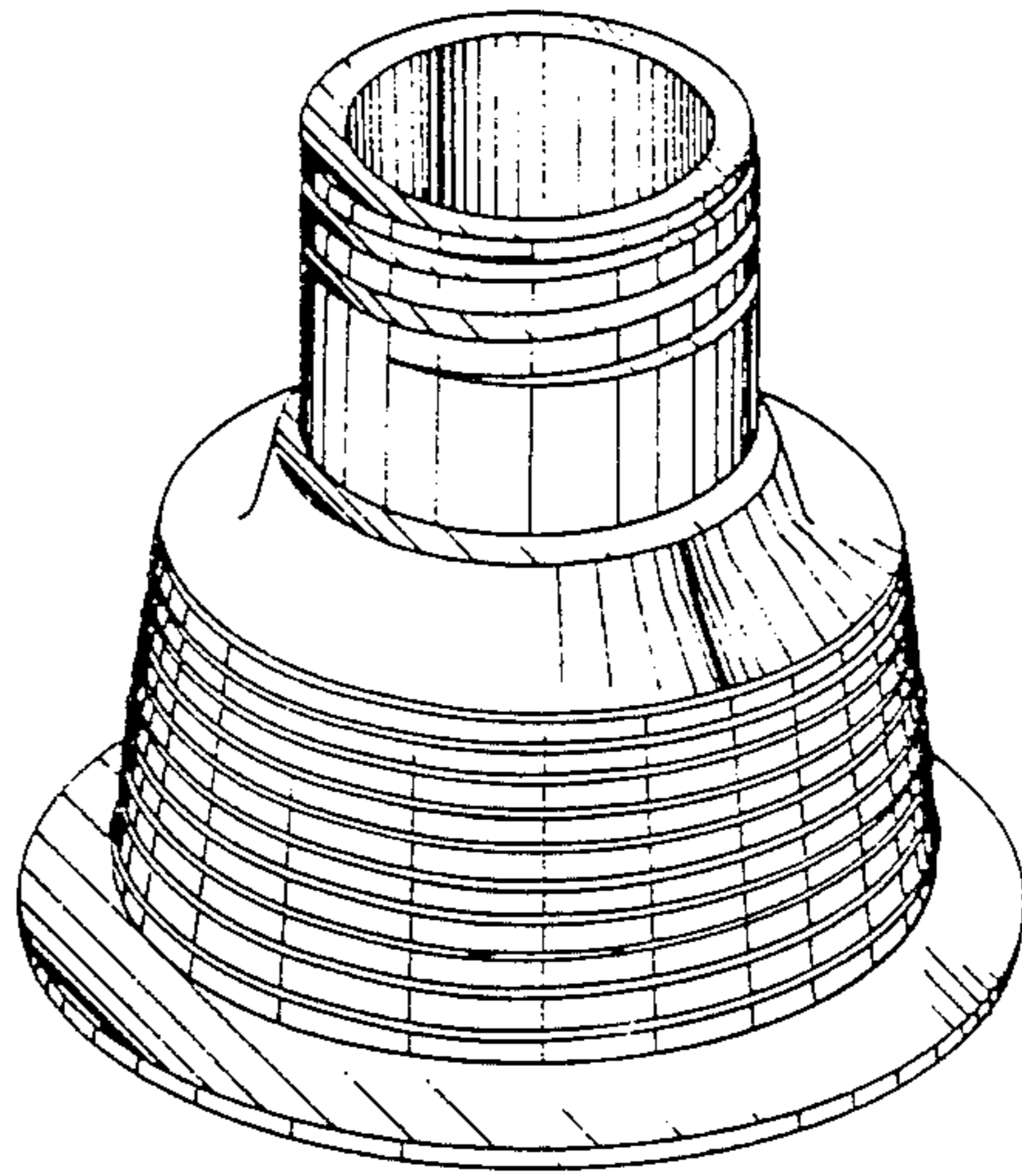


FIG - 2

FIG - 3

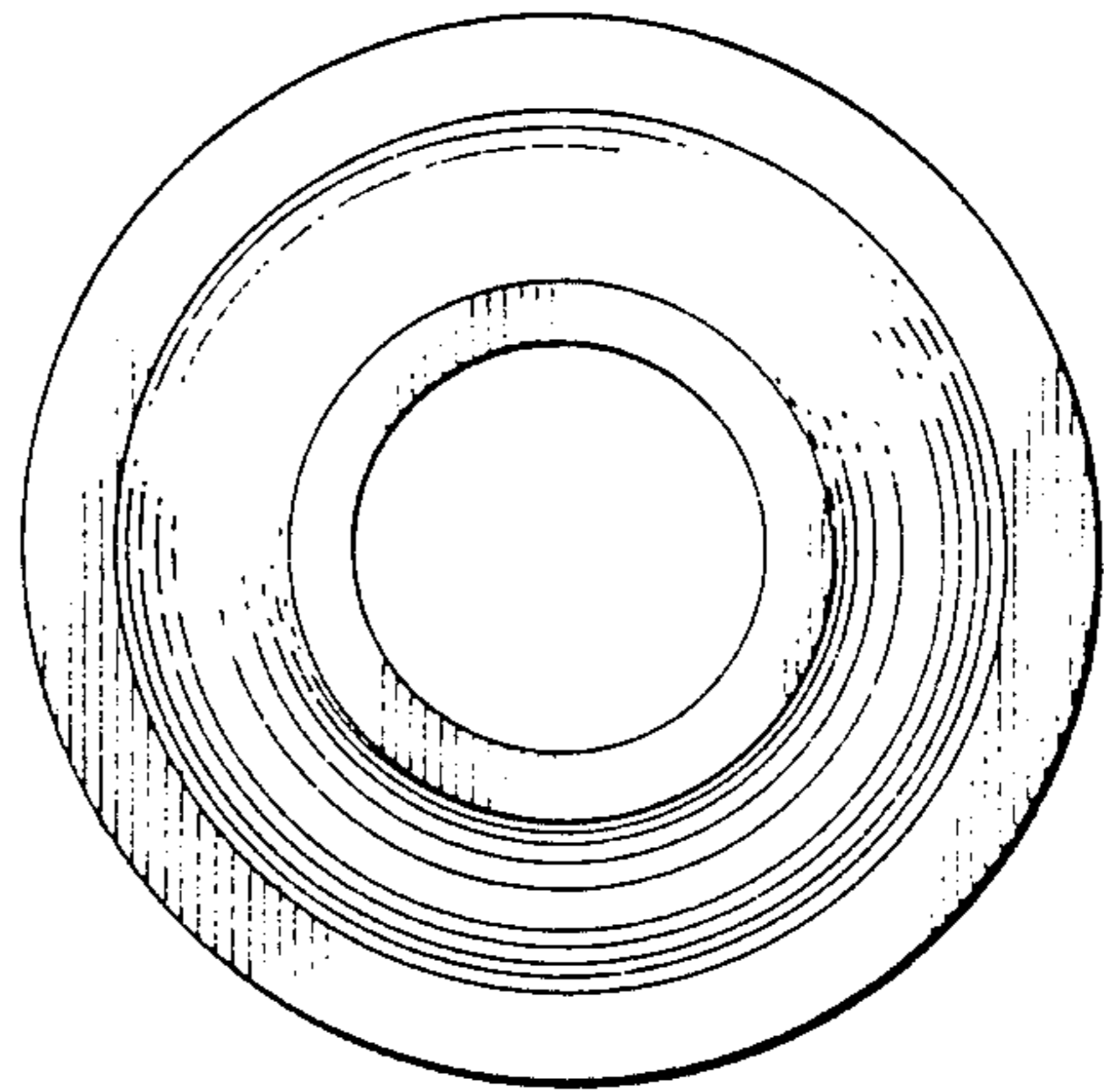
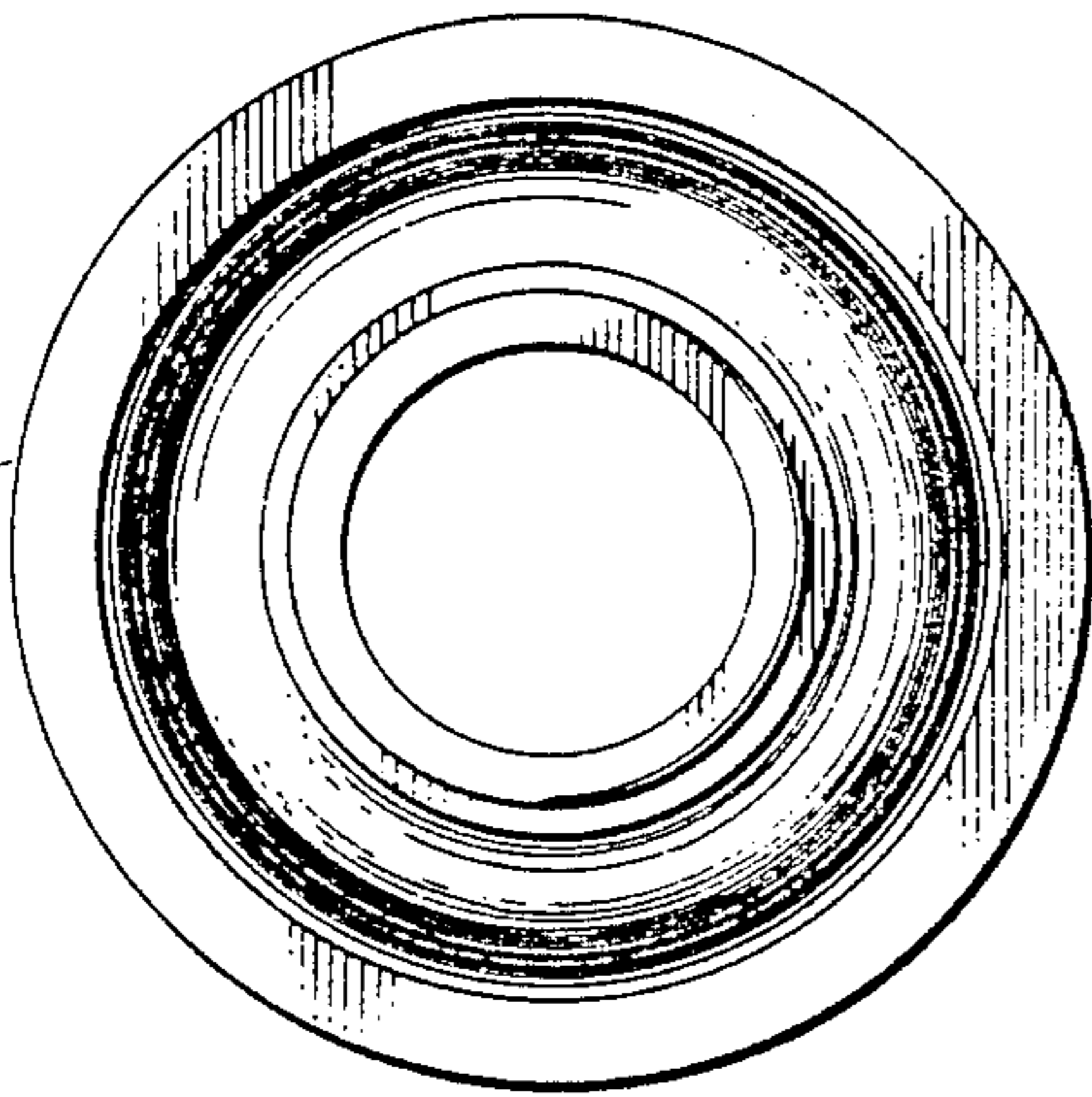


FIG - 4

FIG - 5

