

[54] WASHDOWN SPRAYER TANK  
[75] Inventors: John E. Blumer; Richard J. Ehmke; Arthur F. Linsenmeyer, all of Beatrice, Nebr.

[73] Assignee: Dempster Industries Inc., Beatrice, Nebr.

[\*\*] Term: 14 Years

[21] Appl. No.: 412,160

[22] Filed: Aug. 27, 1982

[52] U.S. Cl. .... D23/2

[58] Field of Search ..... D23/2, 1, 18; 220/1 B, 220/3 R, 5 R, 5 A; D32/1, 15

[56] References Cited

U.S. PATENT DOCUMENTS

- D. 122,147 8/1940 Ofeldt ..... D23/18
- D. 186,218 9/1959 Crowther ..... D23/2
- D. 196,944 11/1963 Krause ..... D23/2

- D. 207,294 3/1967 Ferm ..... D23/2
- D. 207,693 5/1967 Haug et al. .... D23/2
- D. 243,455 2/1977 Verini ..... D23/2

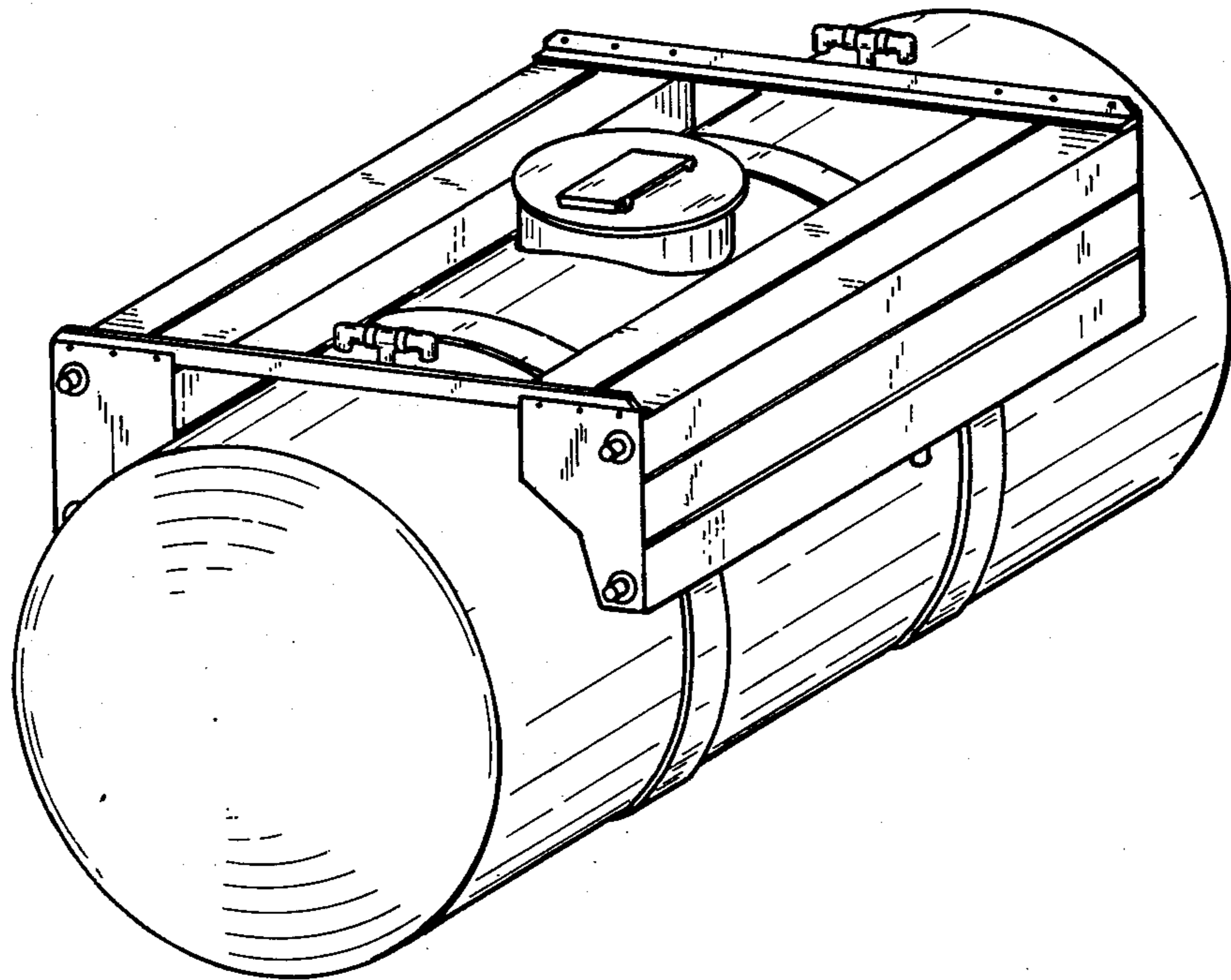
Primary Examiner—B. J. Bullock  
Assistant Examiner—Lynn Wilder  
Attorney, Agent, or Firm—Hugh D. Jaeger

[57] CLAIM

The ornamental design for a washdown sprayer tank, as shown and described.

DESCRIPTION

FIG. 1 is an end elevational view of a washdown sprayer tank showing our new design, the other end being a mirror image;  
FIG. 2 is a side elevational view thereof, the other side being a mirror image;  
FIG. 3 is a top plan view thereof;  
FIG. 4 is a bottom plan view thereof; and,  
FIG. 5 is a perspective view showing the top side and one end.



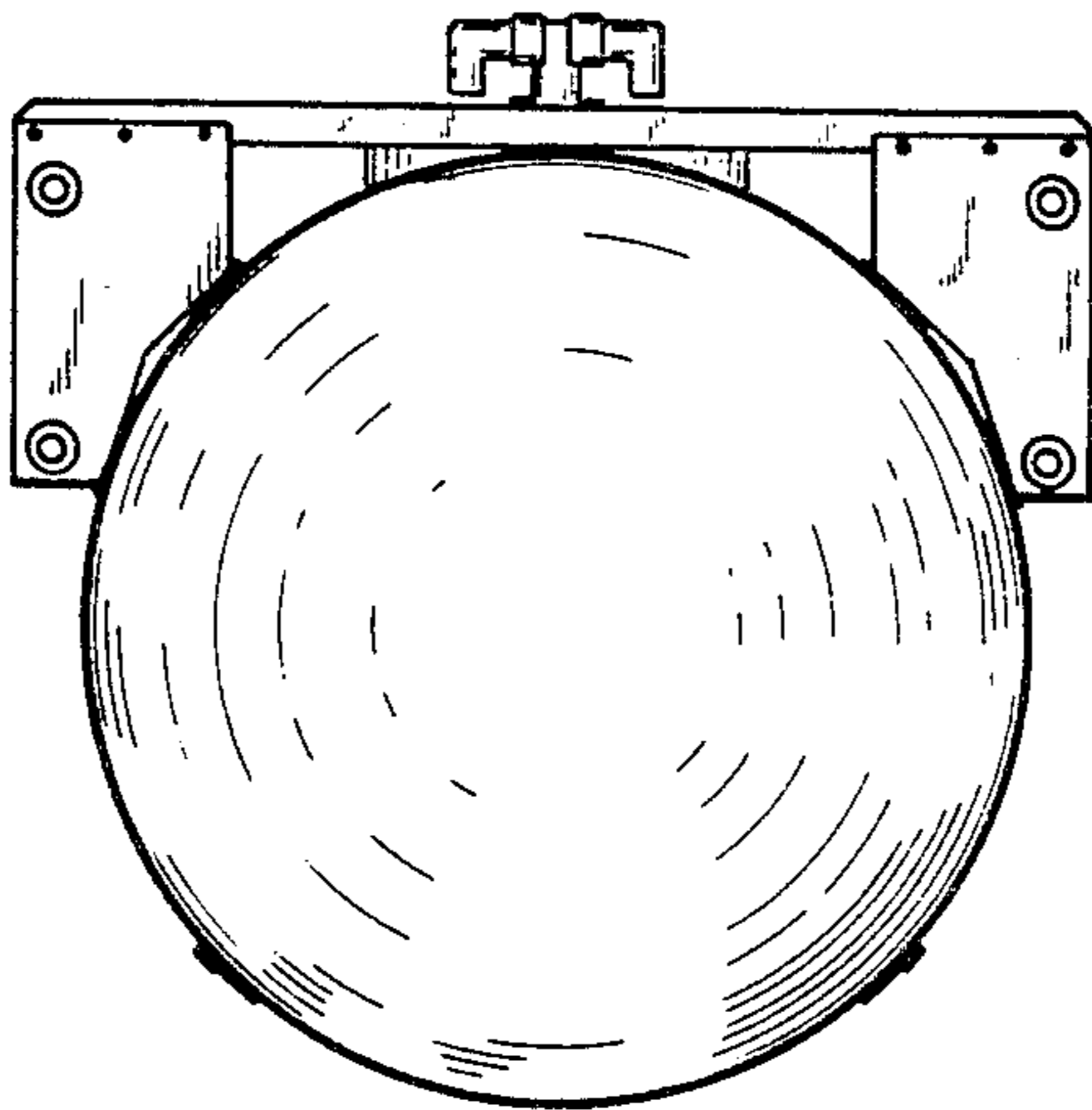


FIG. 1

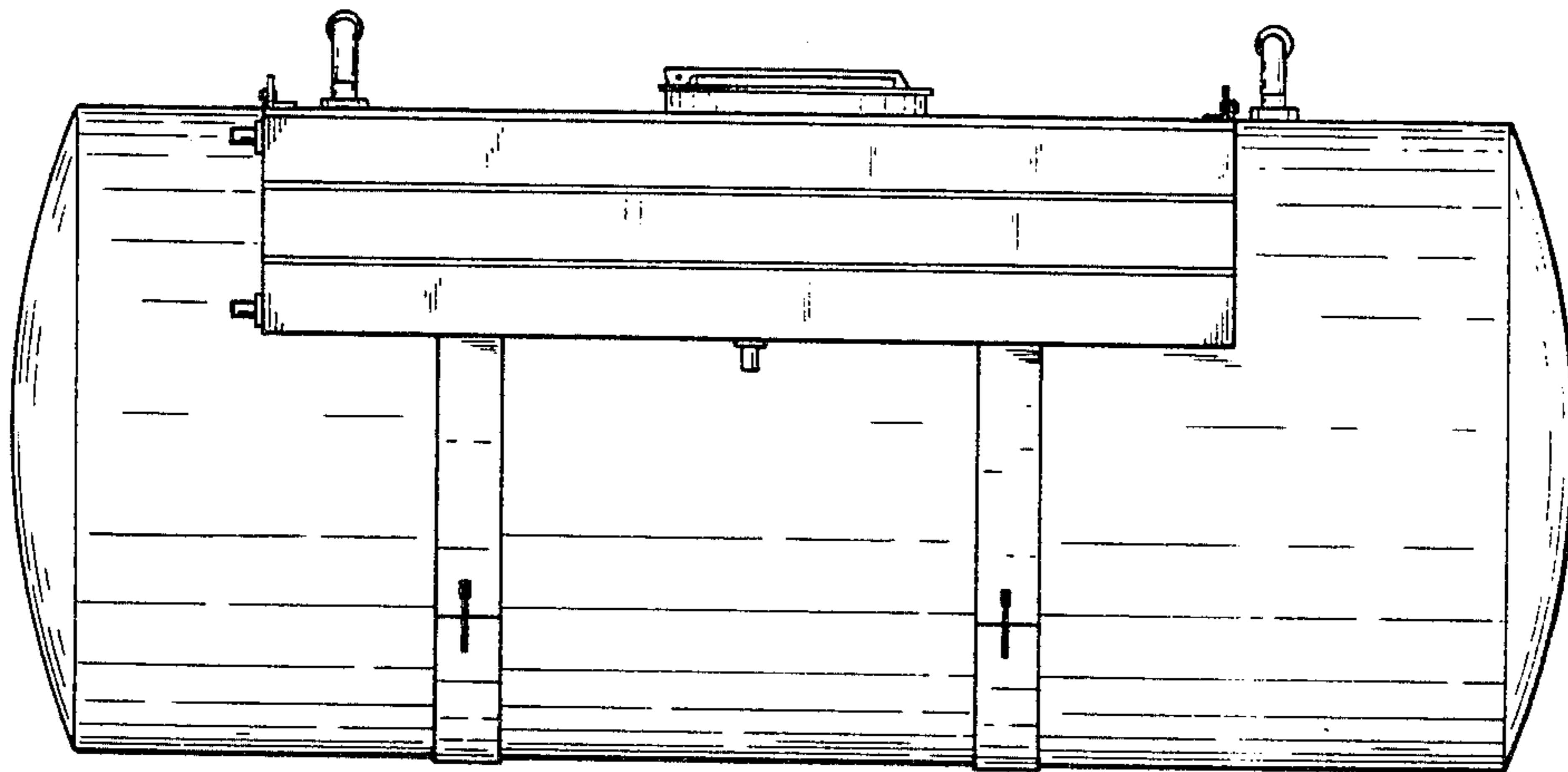


FIG. 2

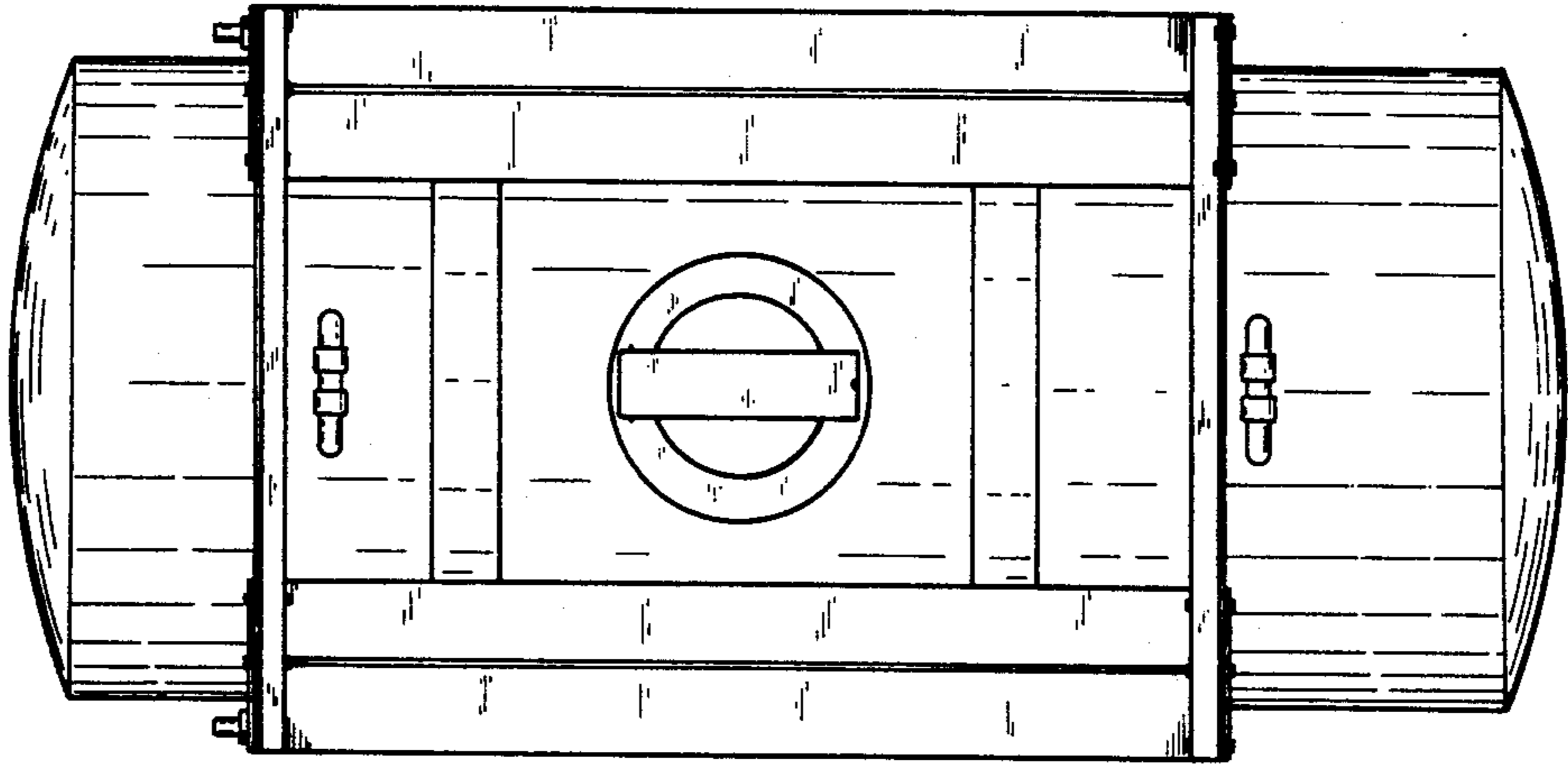


FIG. 3

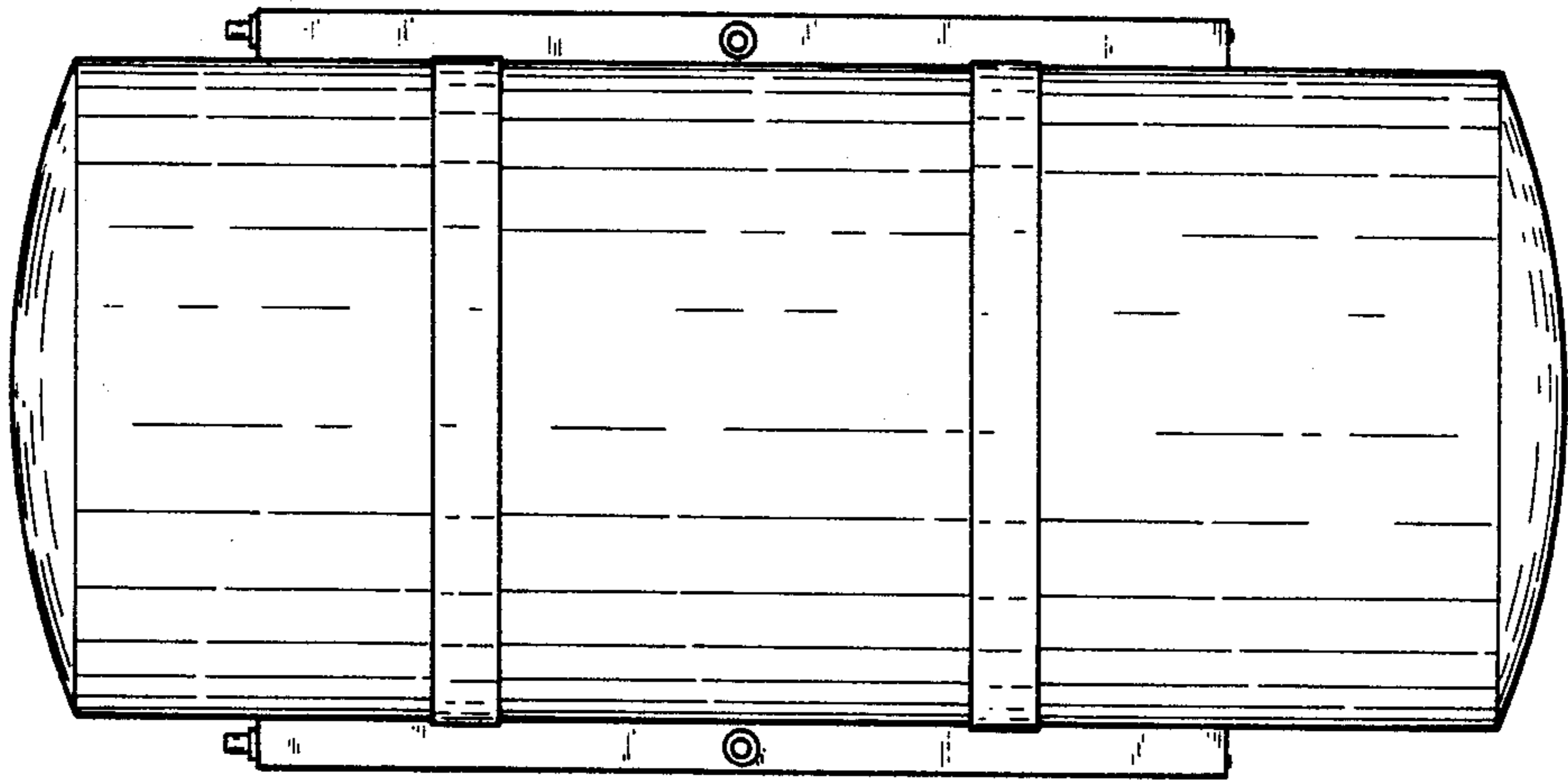


FIG. 4

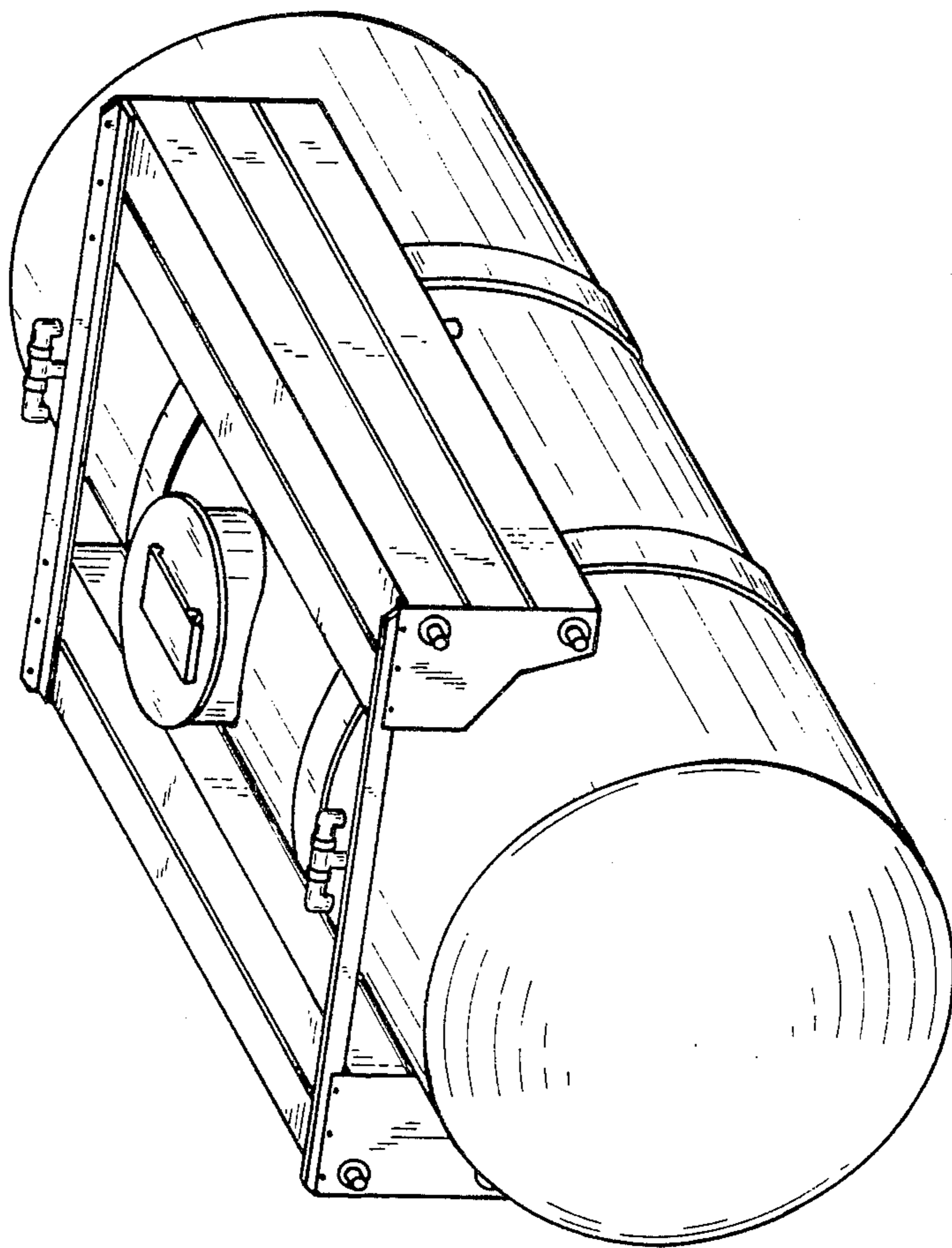


FIG. 5