

[54] BODY FOR A SLED-LIKE SPORTS VEHICLE

4,256,319 3/1981 Winter ..... 280/18

[76] Inventors: Gene K. Gardinier, 1125 Shattuck Ave., Berkeley, Calif. 94709; Alan T. Roberts, 2031 Parker St., Berkeley, Calif. 94704

Primary Examiner—James M. Gandy  
Attorney, Agent, or Firm—Manfred M. Warren; Robert B. Chickering; Glen R. Grunewald

[\*\*] Term: 14 Years

[57] CLAIM

The ornamental design for a body for a sled-like sports vehicle, as shown and described.

[21] Appl. No.: 450,334

[22] Filed: Dec. 16, 1982

DESCRIPTION

[52] U.S. Cl. .... D21/227; D12/11

[58] Field of Search ..... D12/11; D21/227, 224; 280/21 R, 1 B, 87.01, 87.02 R

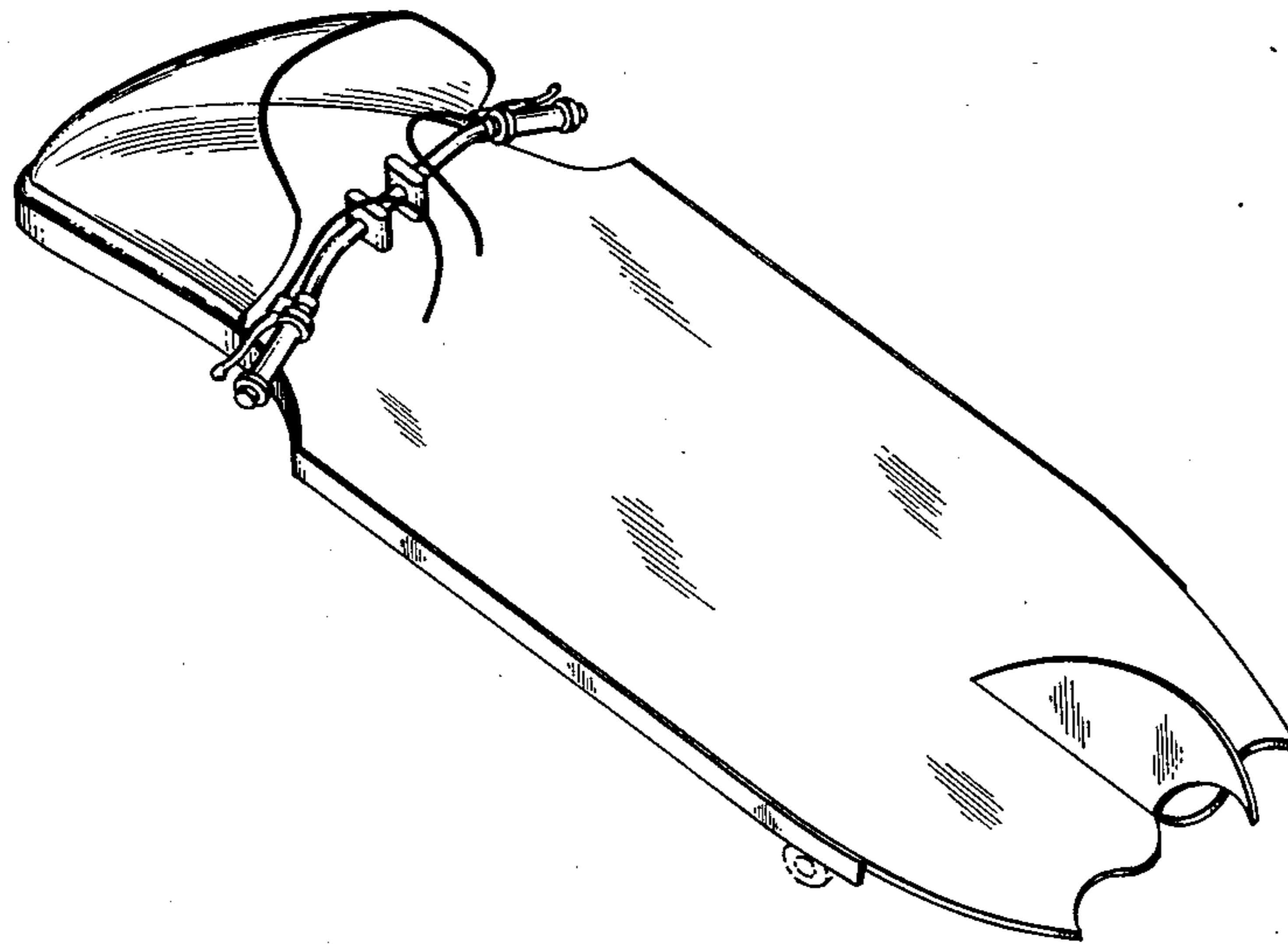
FIG. 1 is a top perspective view of a body for a sled-like sports vehicle showing our new design; FIG. 2 is a side elevational view thereof with the opposite side being a mirror image thereof; FIG. 3 is a bottom plan view thereof; FIG. 4 is a front elevational view thereof; and FIG. 5 is a rear elevational view thereof.

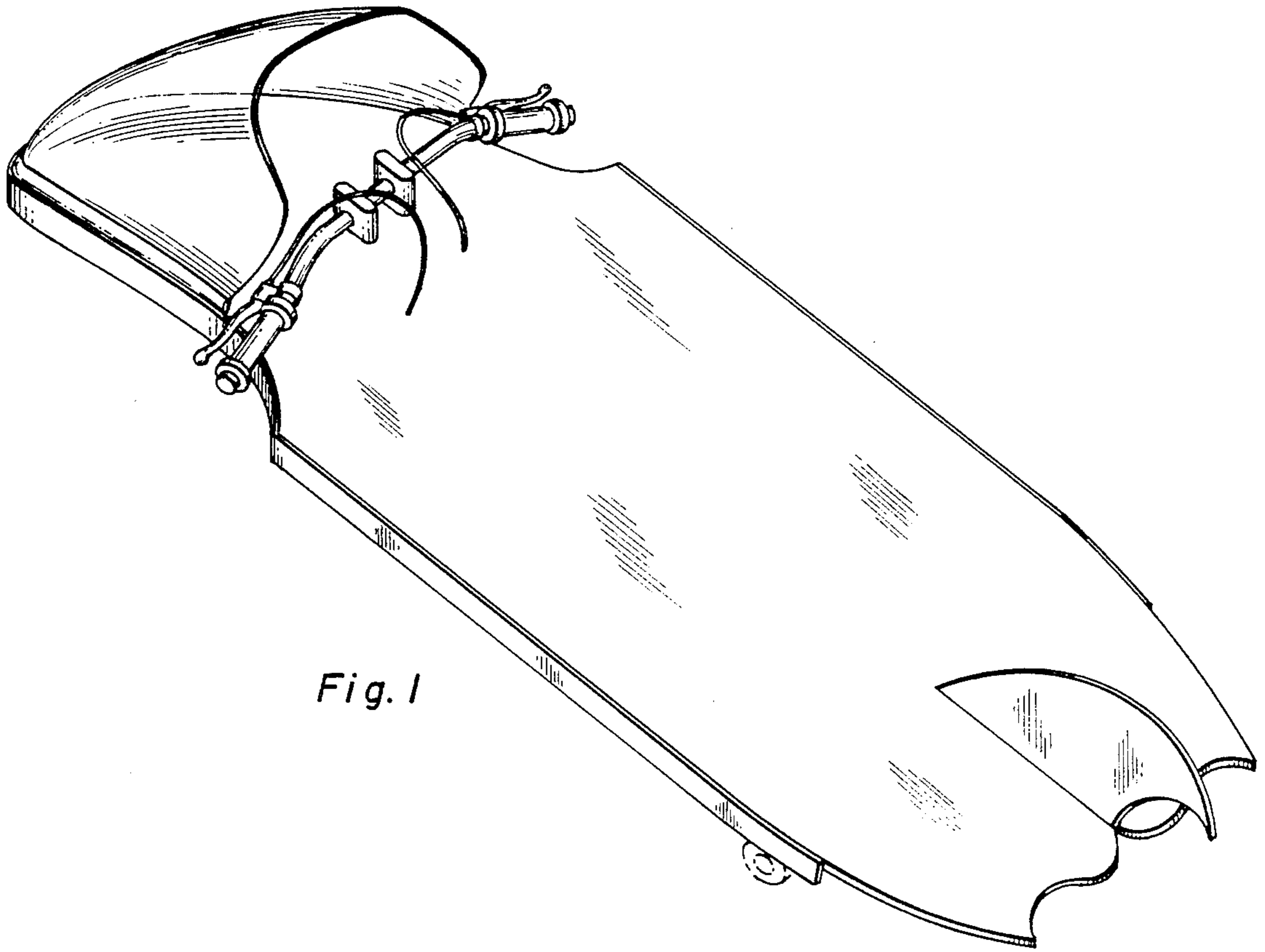
[56] References Cited

U.S. PATENT DOCUMENTS

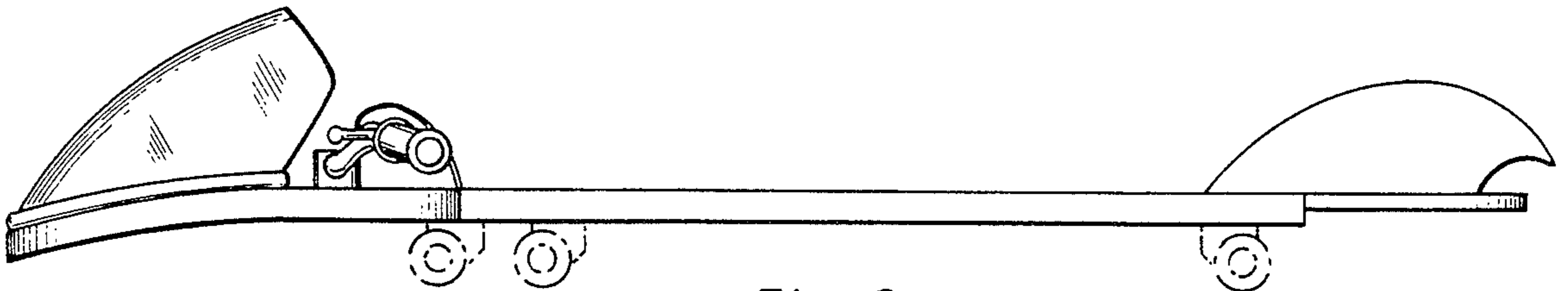
- 368,515 8/1887 Chadeayne ..... 280/18
- 3,921,239 11/1975 Sovia et al. .... D12/11
- 4,244,593 1/1981 Malone ..... 280/87.01

The broken lines in the drawing are for illustrative purposes only.





*Fig. 1*



*Fig. 2*

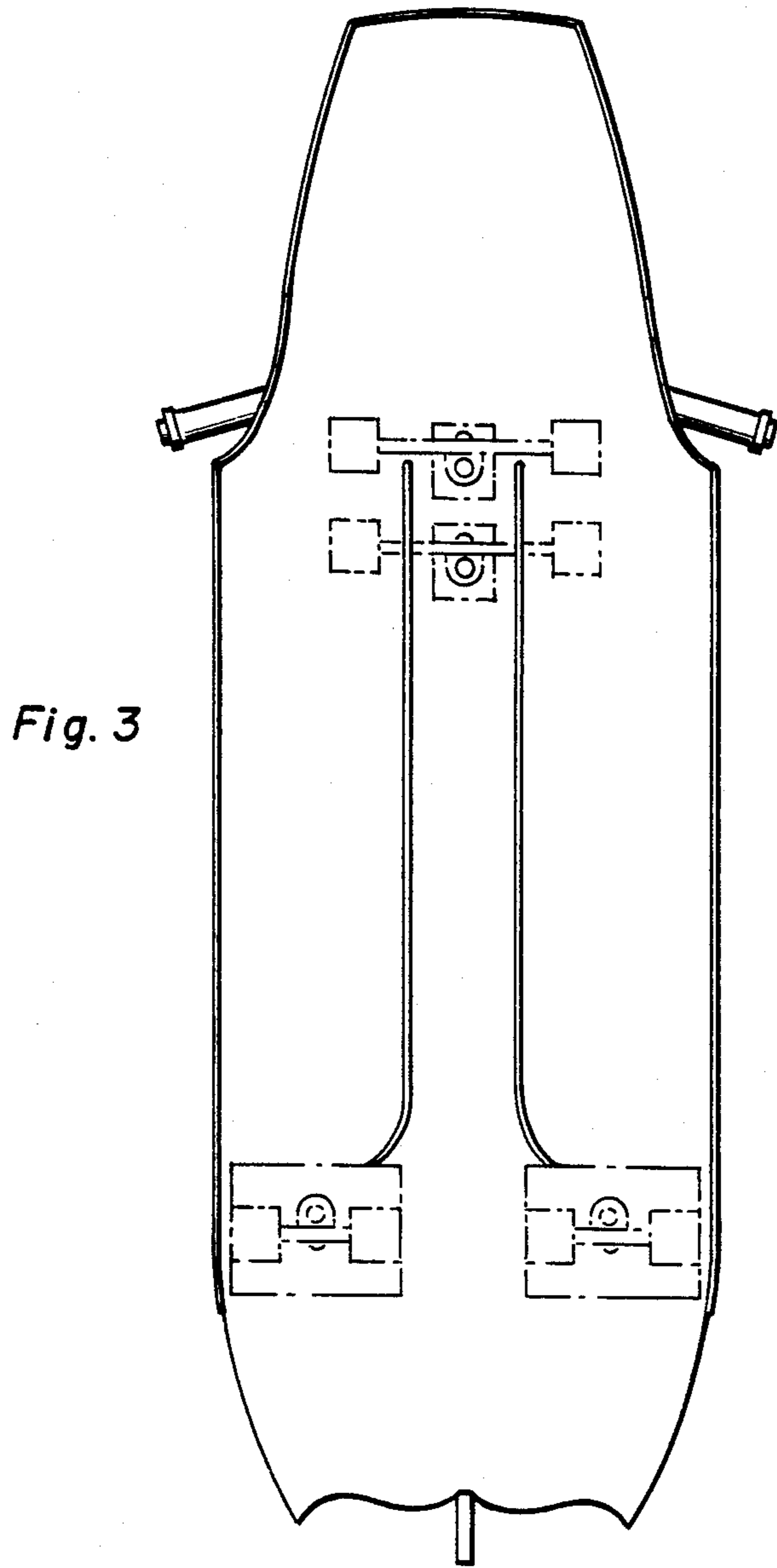


Fig. 3

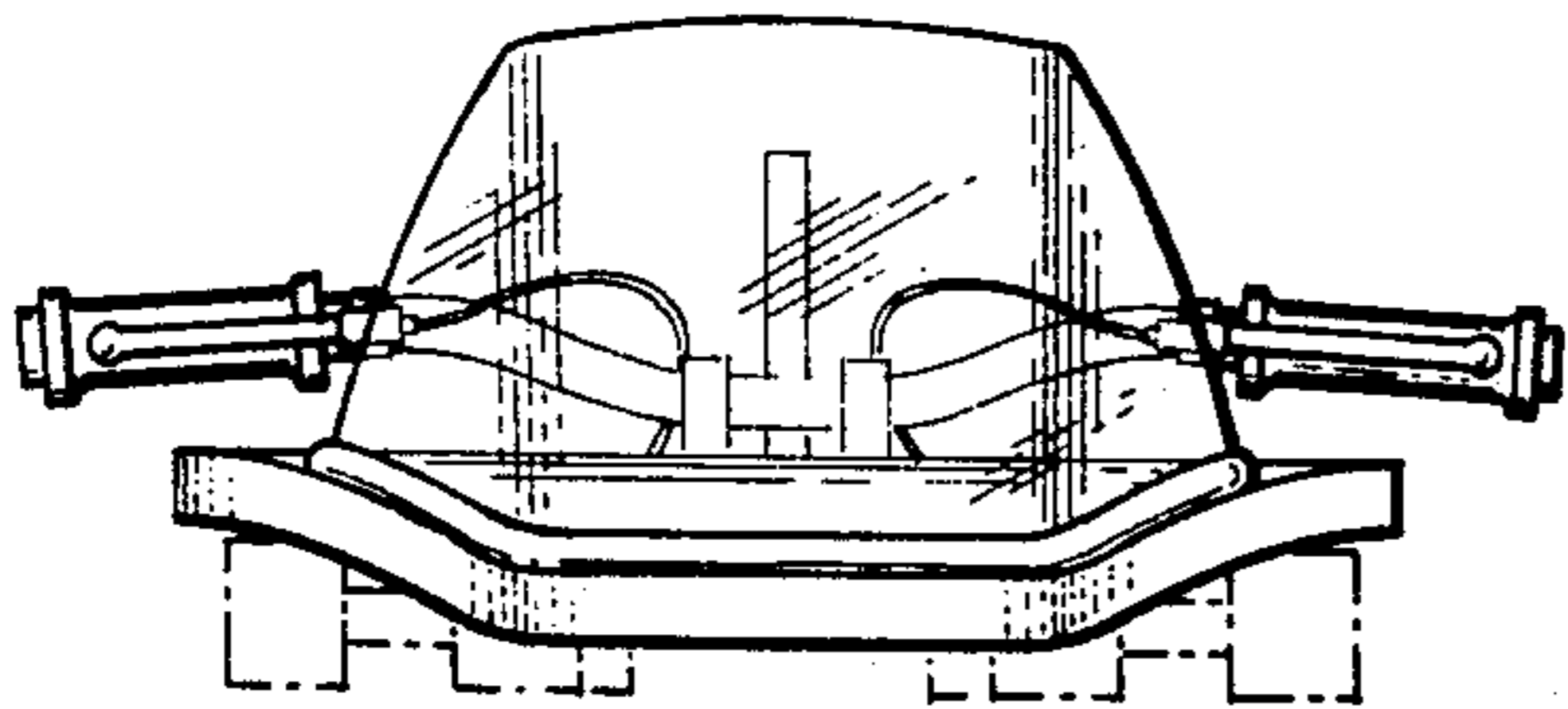


Fig. 4

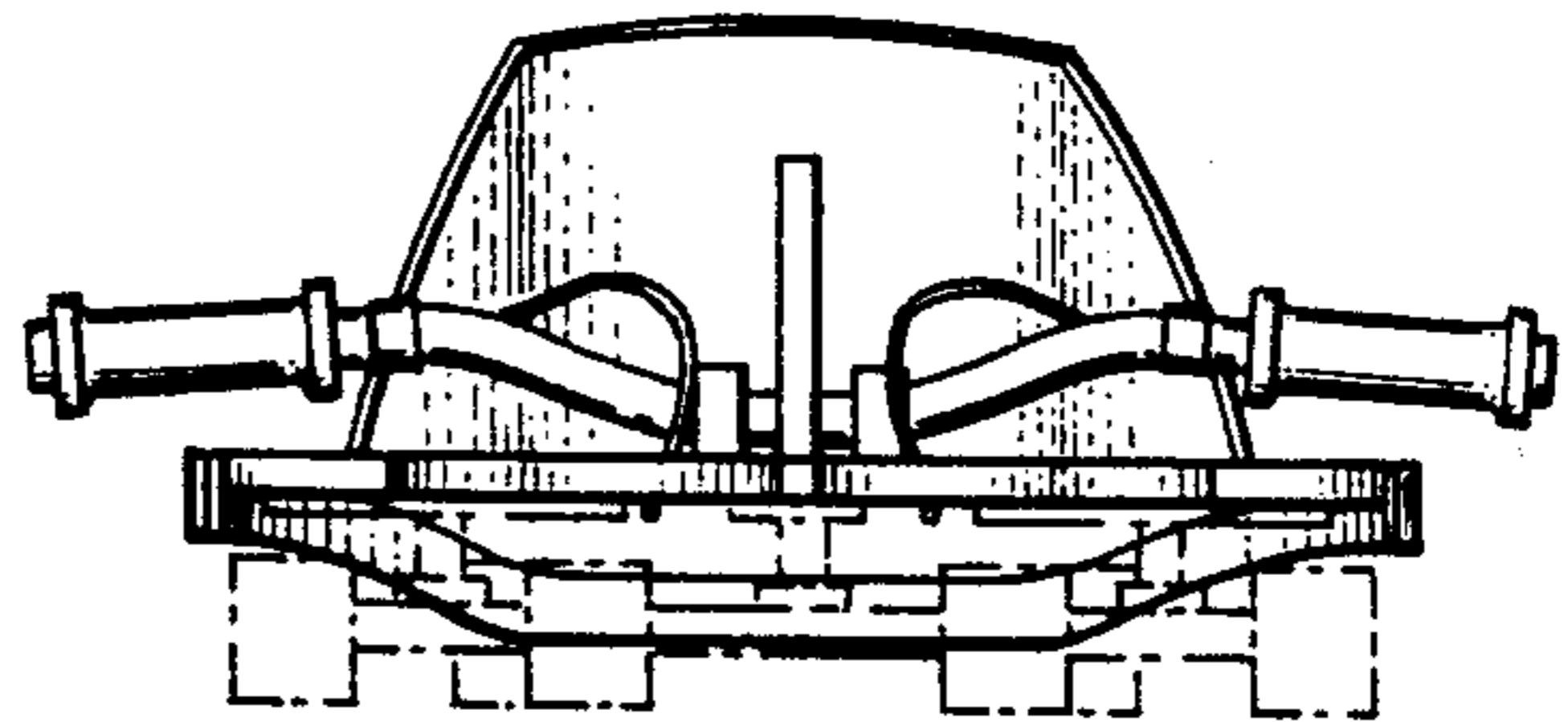


Fig. 5