

**United States Patent** [19]  
**Bedgood**

[11] **Patent Number: Des. 279,919**

[45] **Date of Patent: \*\* Jul. 30, 1985**

[54] **AQUATIC EXERCISING DEVICE**

[75] **Inventor: Douglas H. Bedgood, P.O. Box 1820, Idyllwild, Calif. 92349**

[73] **Assignee: Douglas H. Bedgood, Cherokee, N.C.**

[\*\*] **Term: 14 Years**

[21] **Appl. No.: 481,307**

[22] **Filed: Apr. 1, 1983**

[52] **U.S. Cl. .... D21/198; D21/191; D21/238**

[58] **Field of Search .... D21/191-200, D21/238, 93; 272/116, 67, 122, 130, 143**

[56] **References Cited**

**U.S. PATENT DOCUMENTS**

D. 203,279	12/1965	Spackman et al. ....	D21/198
D. 253,776	12/1979	Molenaar .....	D21/93
3,913,907	10/1975	Baker .....	272/116
4,300,759	11/1981	Caplan .....	272/116

4,416,451	11/1983	Solloway .....	272/67
4,458,896	7/1984	Solloway .....	272/116
4,480,829	11/1984	Yacoboski .....	272/116

*Primary Examiner*—Charles A. Rademaker  
*Attorney, Agent, or Firm*—Neuman, Williams, Anderson & Olson

[57] **CLAIM**

The ornamental design for an aquatic exercising device, as shown and described.

**DESCRIPTION**

FIG. 1 is a perspective view of a aquatic exercising device showing my new design; FIG. 2 is a top plan view thereof; FIG. 3 is a bottom plan view thereof; FIG. 4 is a side elevational view thereof; FIG. 5 is another top plan view thereof showing the design in an adjusted configuration; FIG. 6 is a perspective view of a modified form of the design shown in FIGS. 1 through 5; and, FIG. 7 is a bottom plan view thereof.

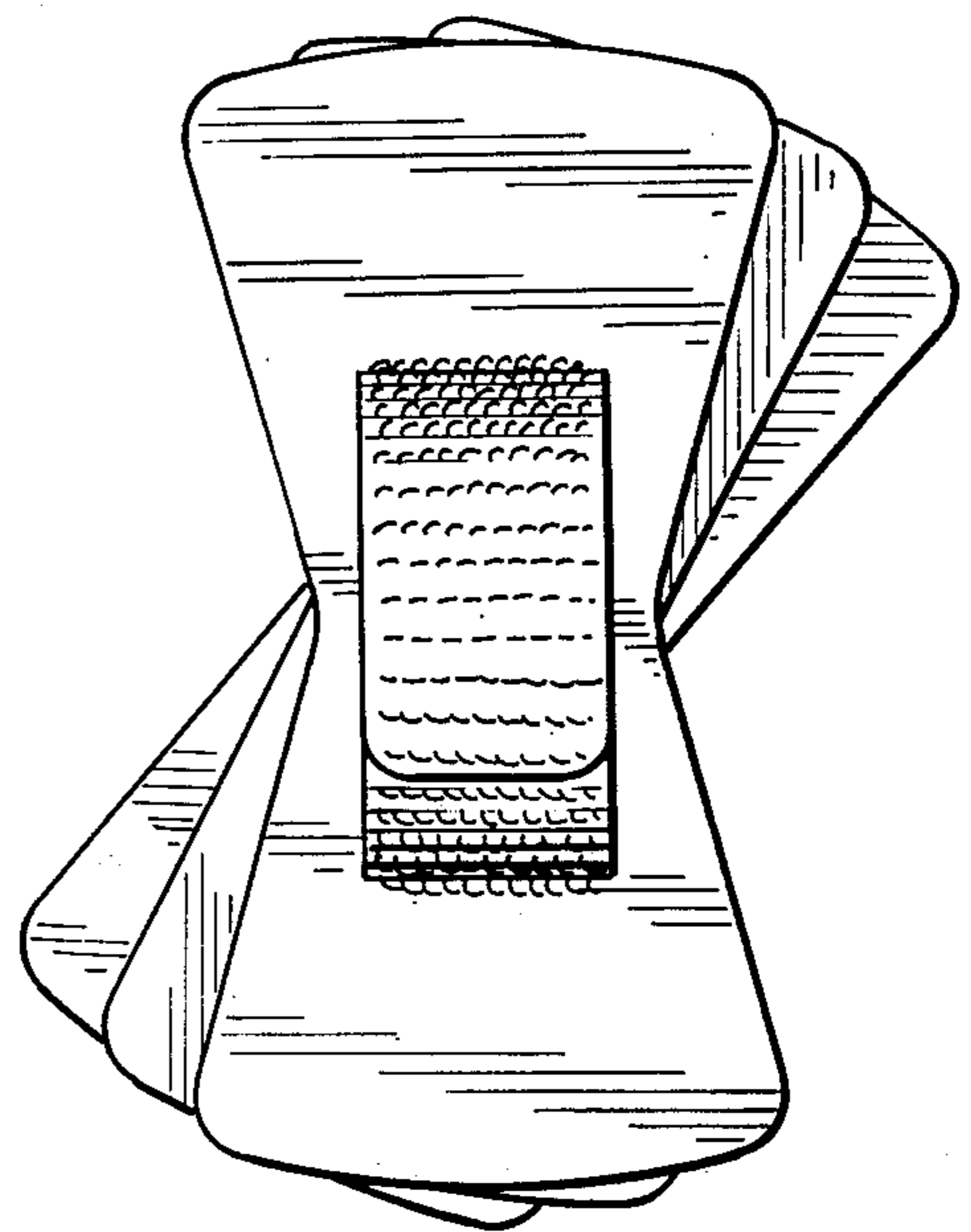
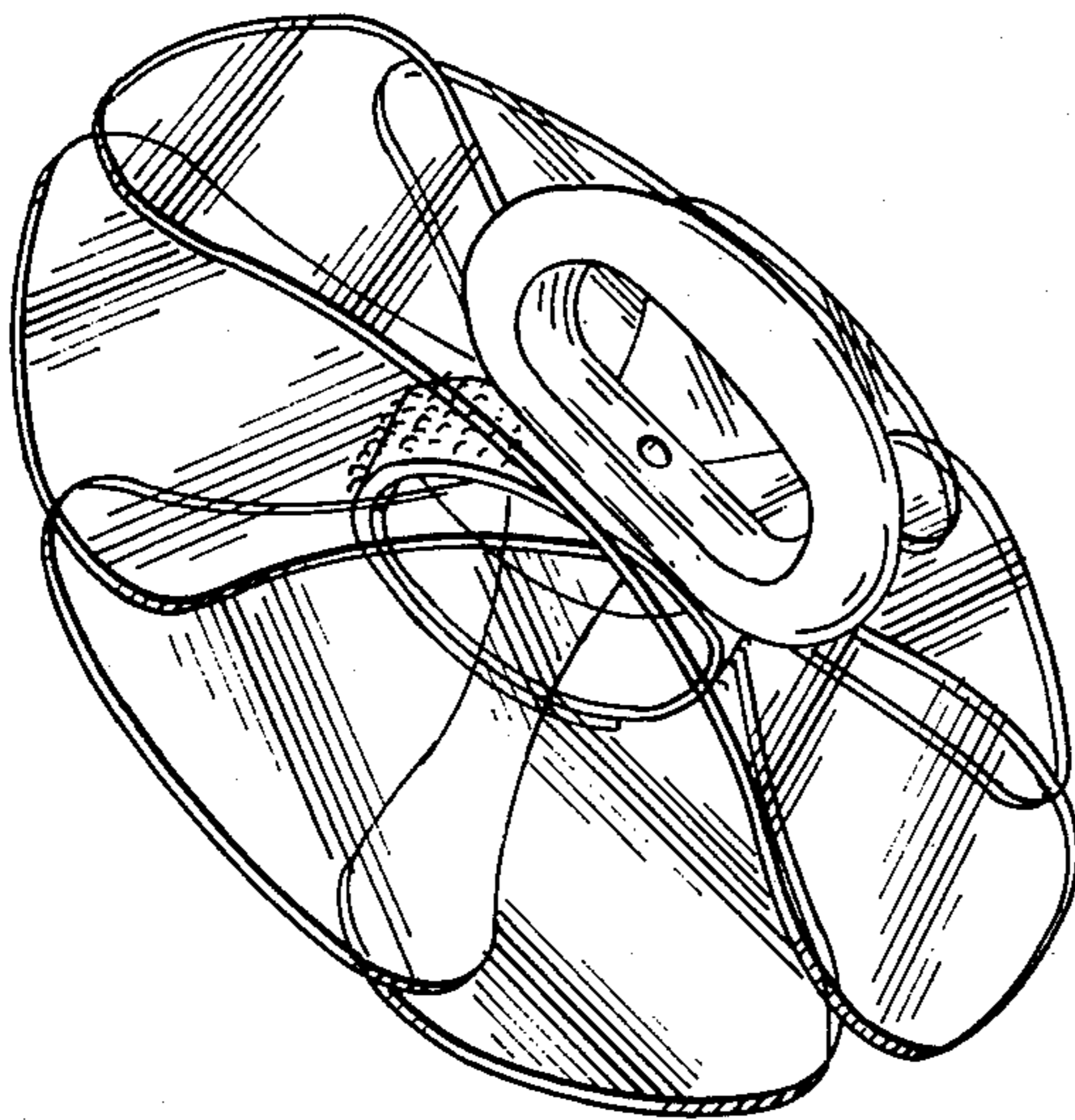


FIG. 1

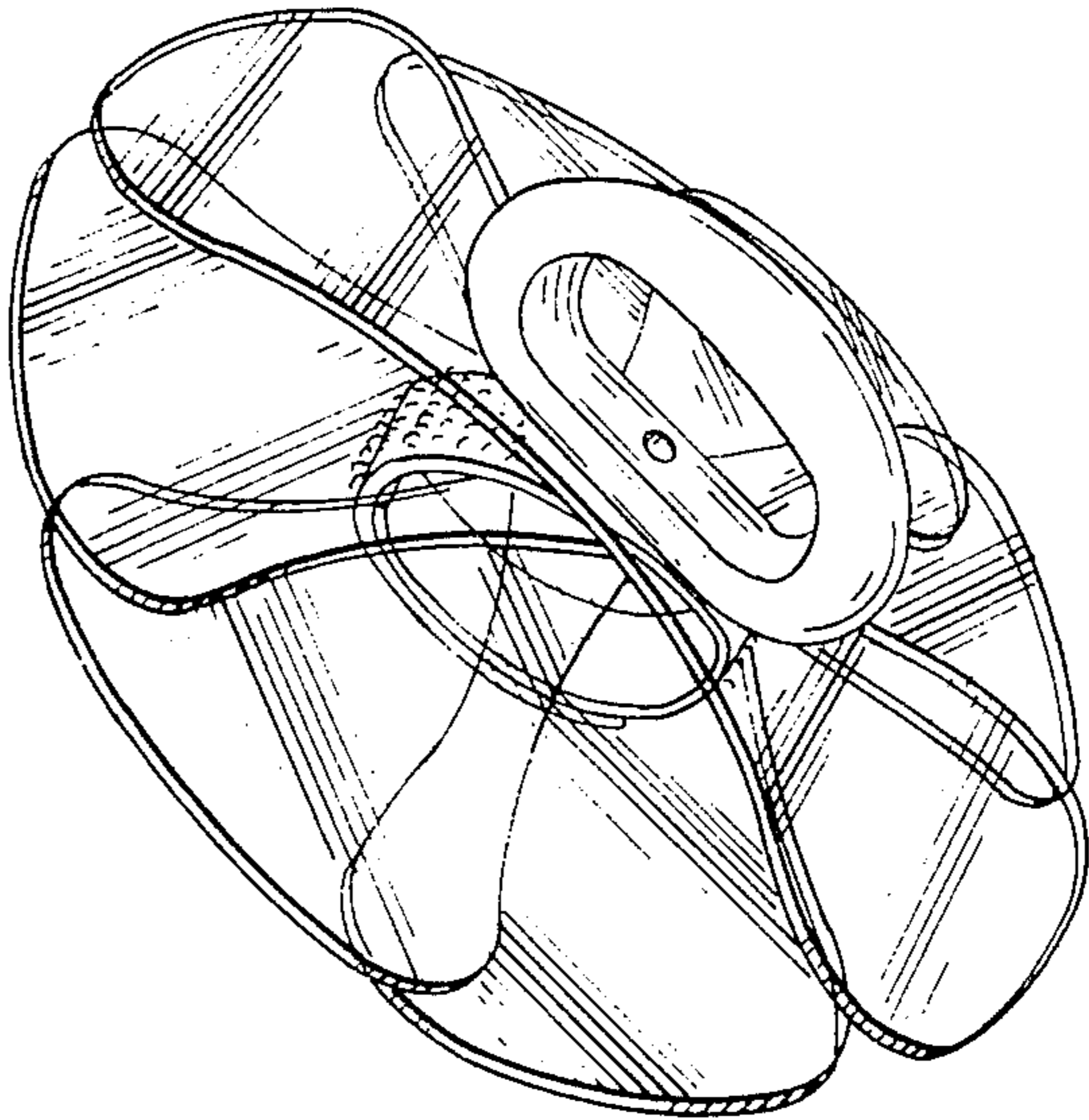


FIG. 2

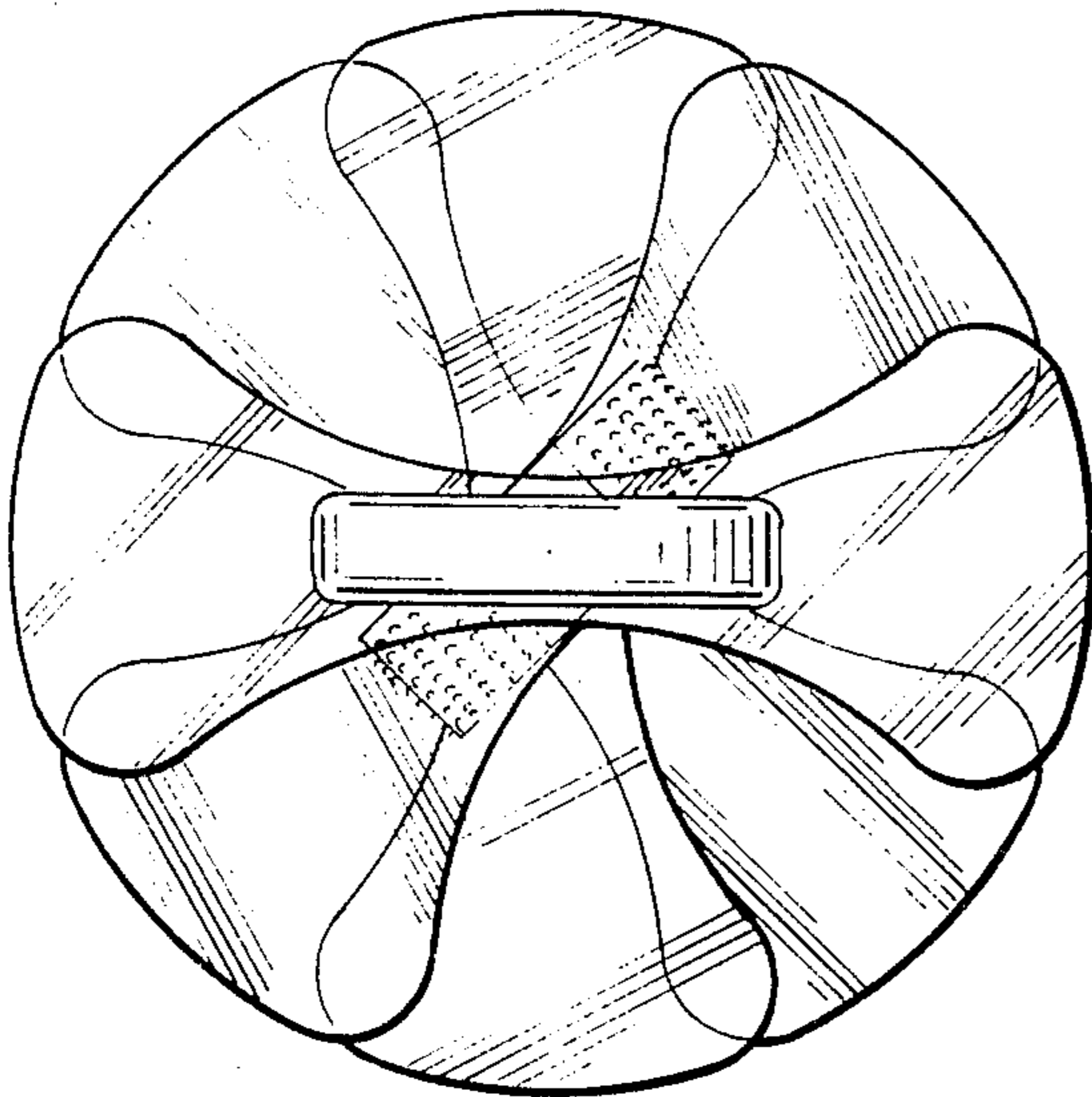


FIG. 5

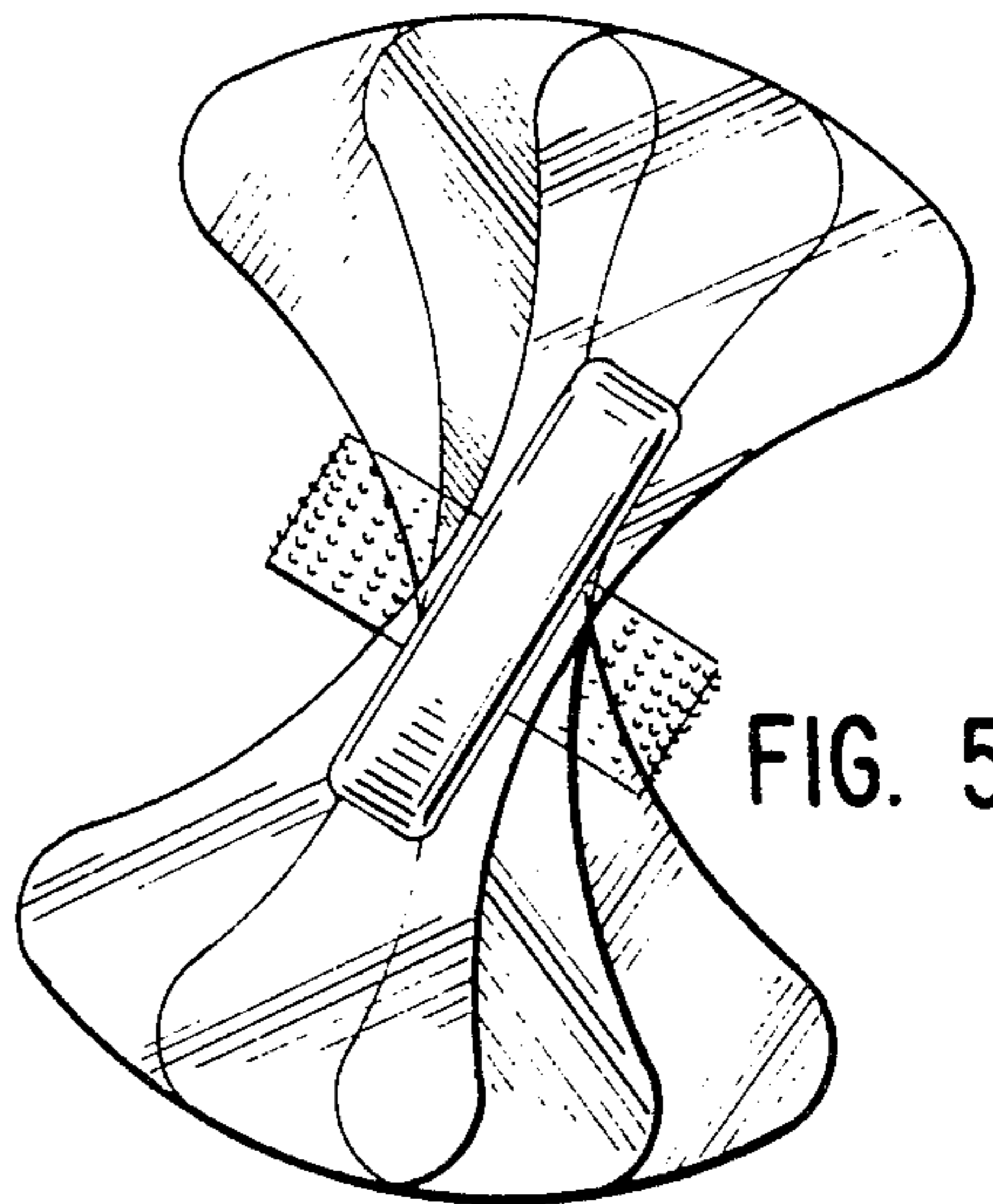


FIG. 4

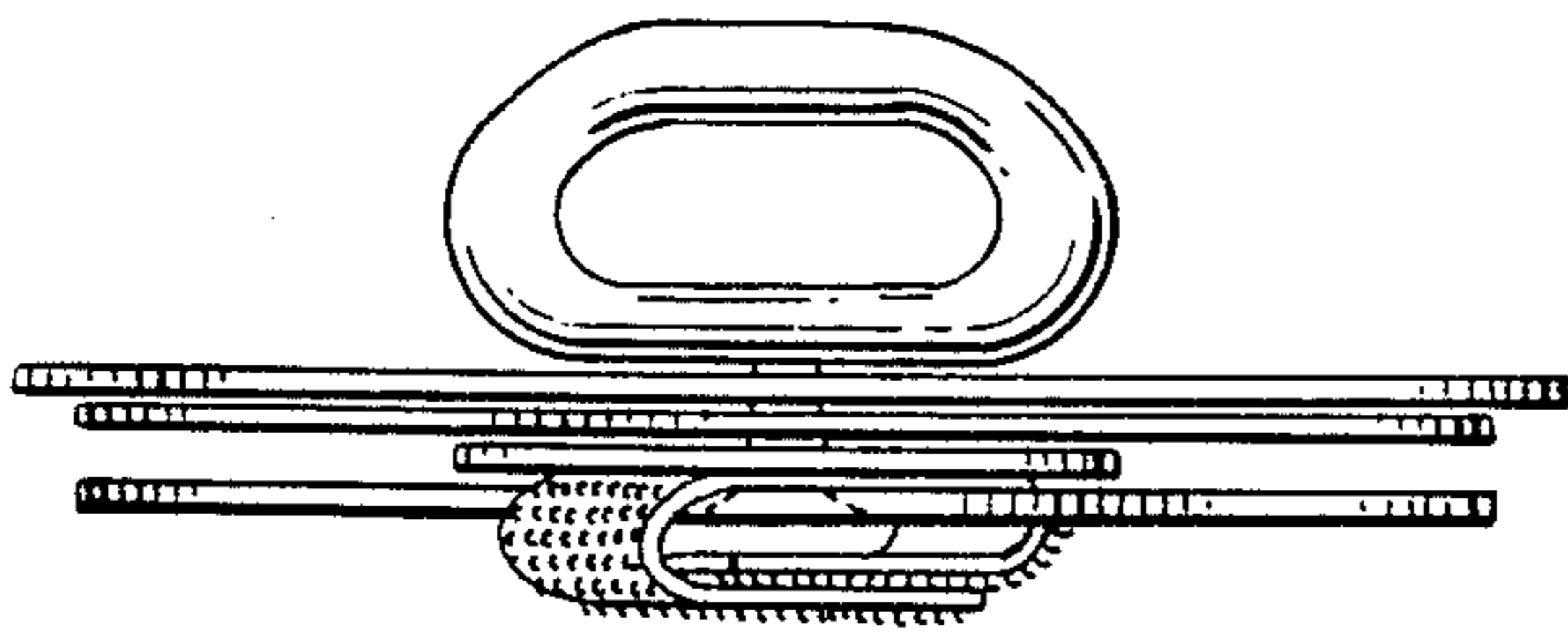
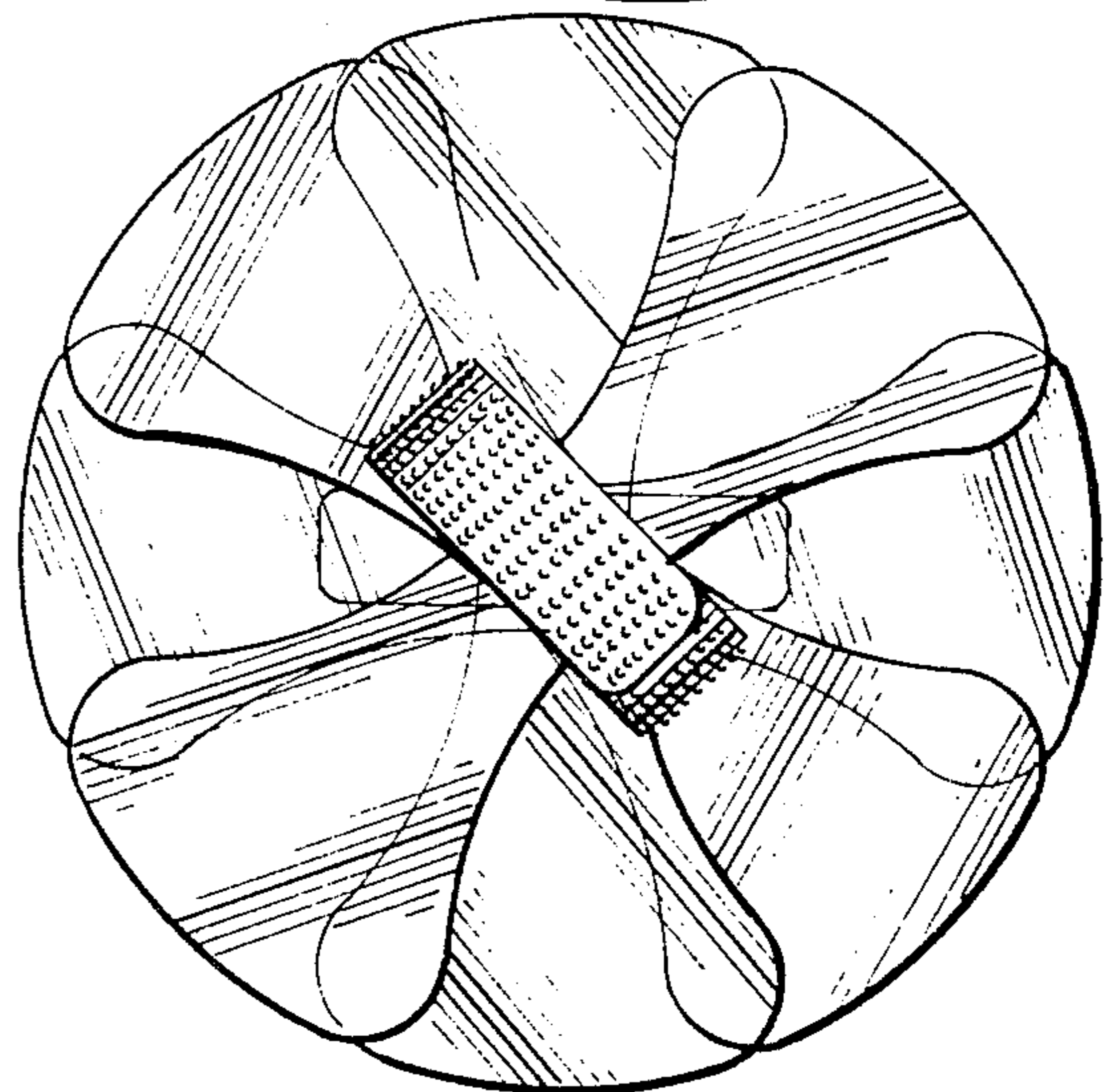


FIG. 3



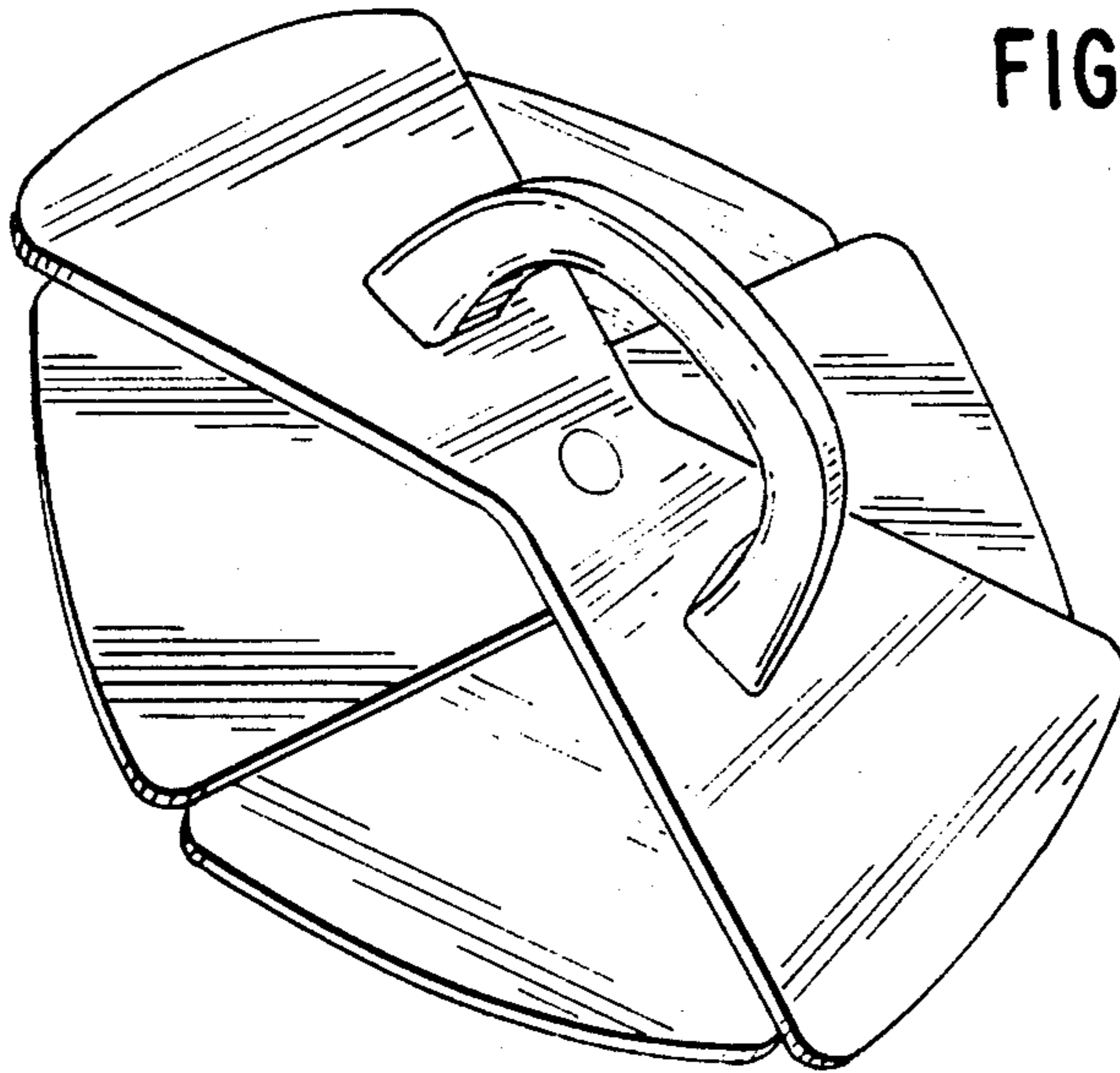


FIG. 6

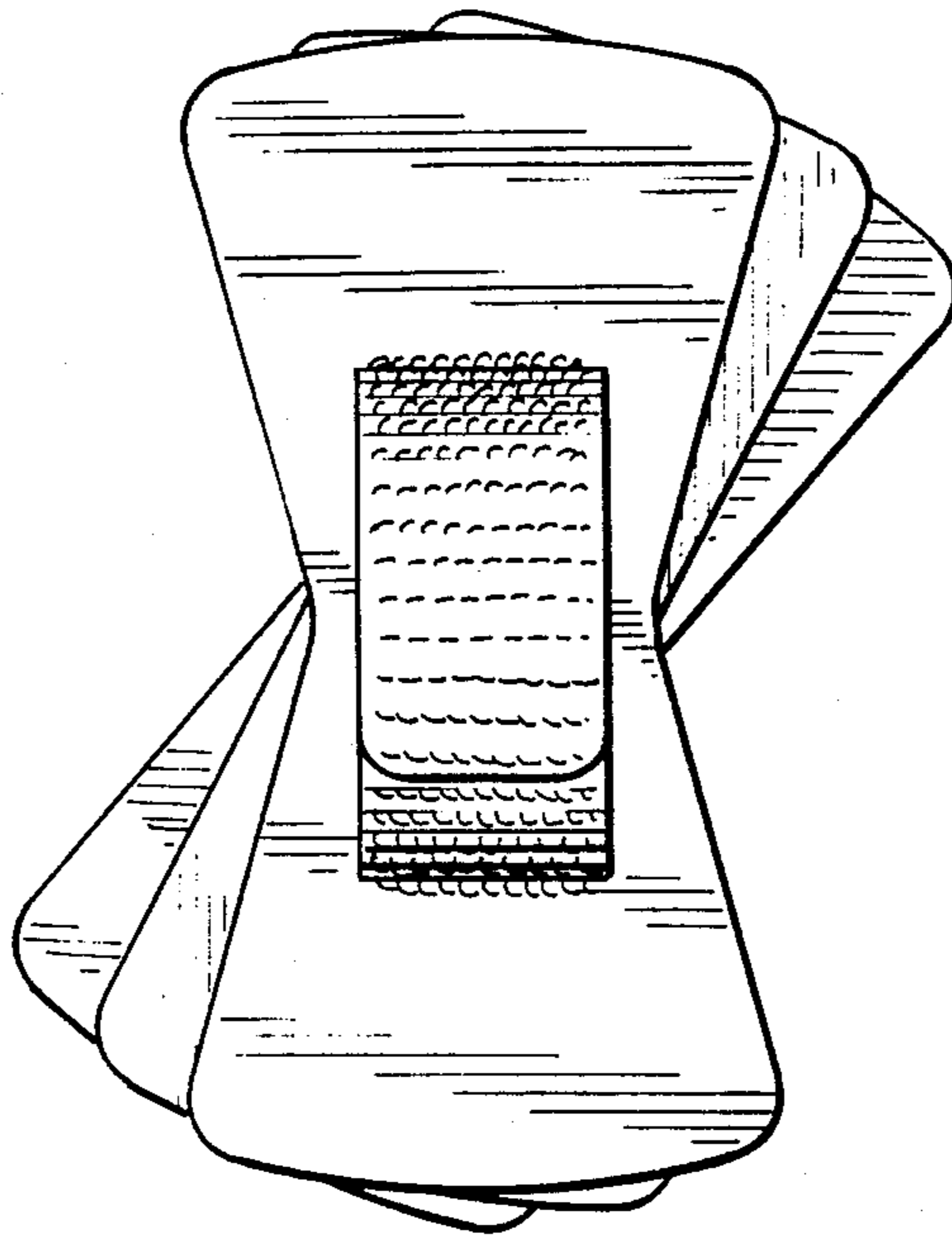


FIG. 7