

[54] **PHYSICAL EXERCISER**

[76] **Inventors: Paul D. Stumbaugh, 115 S. Oklahoma, Mangum, Okla. 73554; Dallas A. Thompson, 424 W. Eula, Hollis, Okla. 73550**

[**] **Term: 14 Years**

[21] **Appl. No.: 555,753**

[22] **Filed: Nov. 28, 1983**

[52] **U.S. Cl. D21/194; D21/191**

[58] **Field of Search D21/194; 272/70.3, 73, 272/132, DIG. 6; 73/379**

[56] **References Cited**

U.S. PATENT DOCUMENTS

D. 184,407 2/1959 McKinley D6/498
D. 226,670 4/1973 Nickels D21/194
2,388,777 11/1945 Wentz D21/194
3,213,852 10/1965 Zent 272/73
4,071,235 1/1978 Zent 272/73

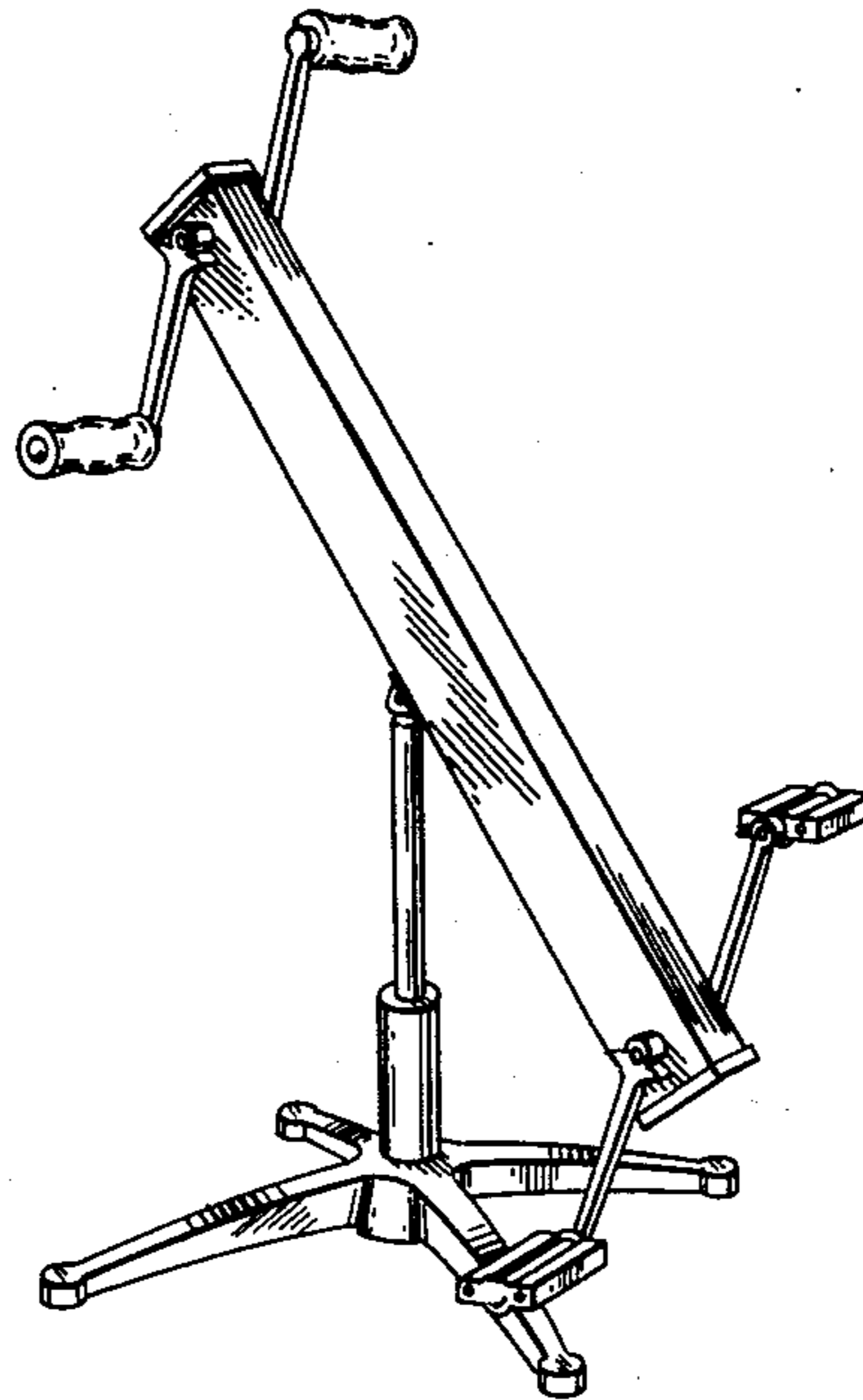
Primary Examiner—Charles A. Rademaker
Attorney, Agent, or Firm—Robert K. Rhea

[57] **CLAIM**

The ornamental design for physical exerciser, as shown and described.

DESCRIPTION

FIG. 1 is a side perspective view of a physical exerciser showing our new design; and, FIG. 2 is a perspective view thereof of the side opposite that shown in FIG. 1.



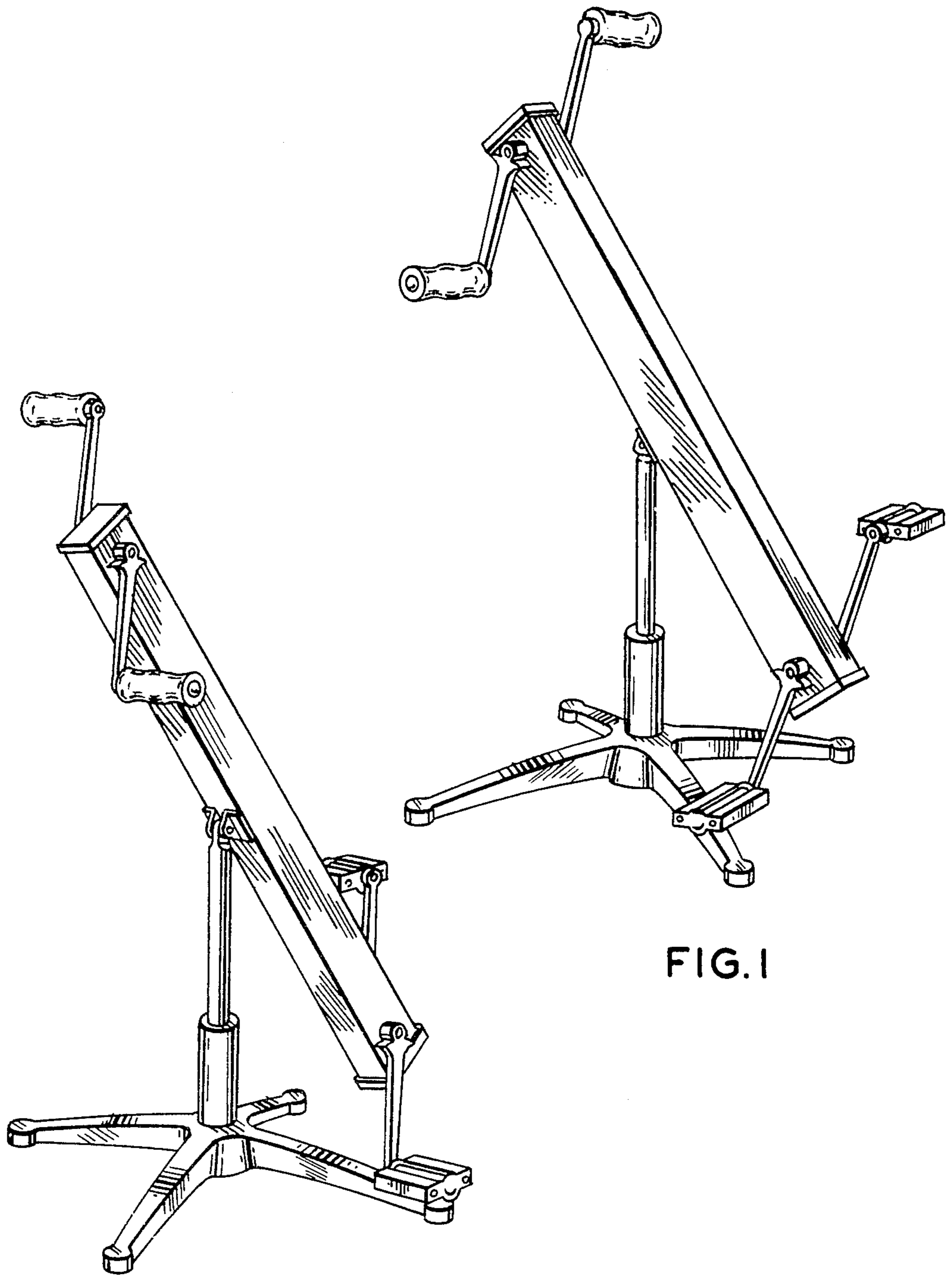


FIG. 1

FIG. 2