

[54] TOY CONSTRUCTION PIECE

[75] Inventor: Jose M^a Arnau Pibet, Barcelona, Spain

[73] Assignee: Exin-Lines Bros, S.A., Spain

[**] Term: 14 Years

[21] Appl. No.: 433,364

[22] Filed: Oct. 7, 1982

[30] Foreign Application Priority Data

Apr. 7, 1982 [ES]	Spain	101,612
[52] U.S. Cl.		D21/108
[58] Field of Search	D21/108, 105; 446/85, 446/92, 116, 119, 120, 121, 126, 128	

[56] References Cited

U.S. PATENT DOCUMENTS

3,005,282	10/1961	Christiansen	446/128
3,405,479	10/1968	Paulson	446/128
3,461,601	8/1969	Kristiansen	D21/108

FOREIGN PATENT DOCUMENTS

128398	7/1948	Australia	446/128
908097	10/1962	United Kingdom	446/128
1021272	3/1966	United Kingdom	446/128

OTHER PUBLICATIONS

Playthings, 10-1941, p. 47, "Interlocking Building Cubes" #1210W.

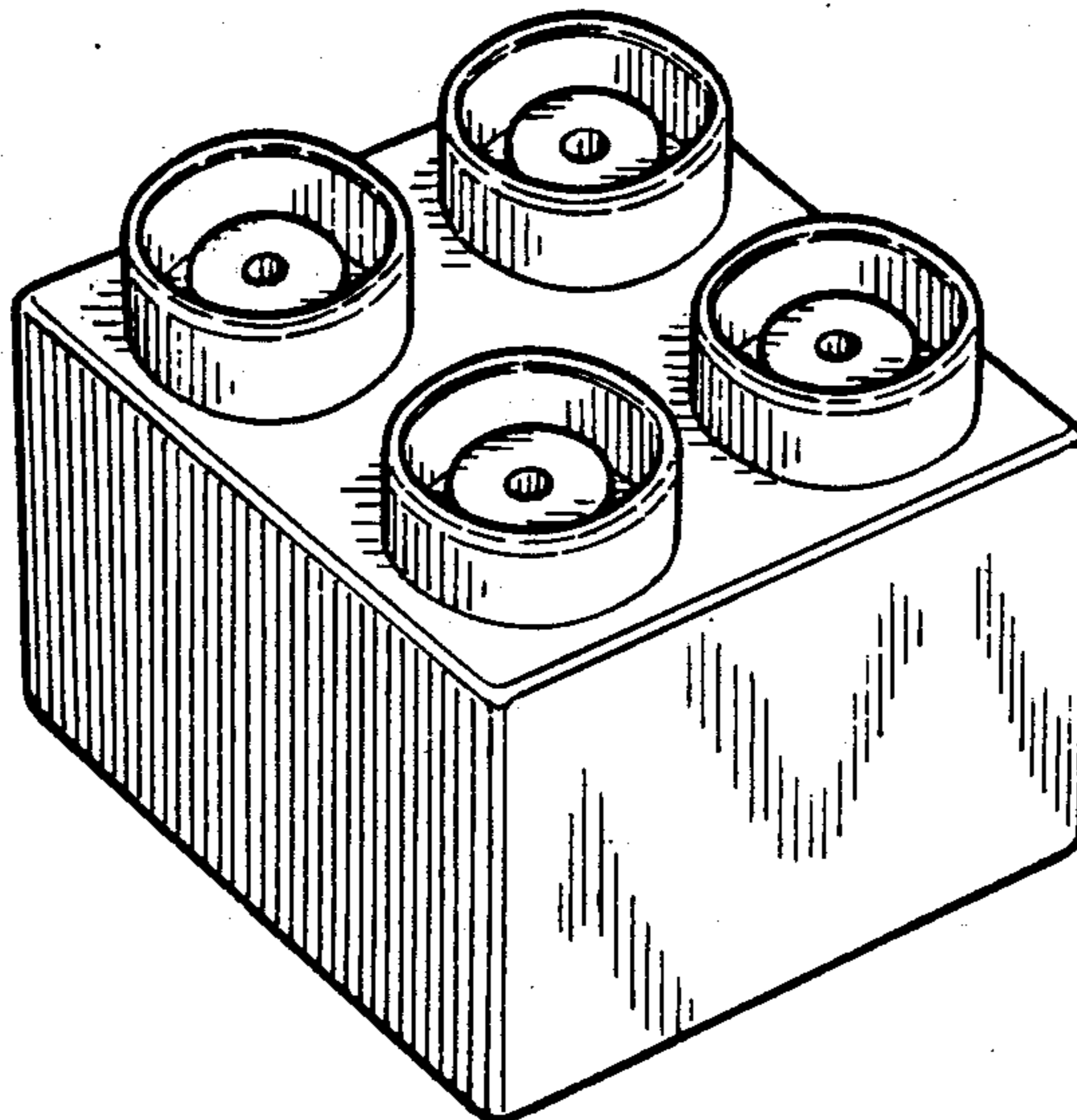
Primary Examiner—Charles A. Rademaker
Attorney, Agent, or Firm—McGlew and Tuttle

[57] CLAIM

The ornamental design for a coupling piece for a toy construction game, substantially as shown and described.

DESCRIPTION

FIG. 1 is a top plan view of a toy construction piece showing my new design;
 FIG. 2 is a cross-sectional view taken along lines 2—2 in FIG. 1;
 FIG. 3 is a top perspective view thereof;
 FIG. 4 is a bottom plan view thereof, and
 FIG. 5 is a bottom perspective view thereof.



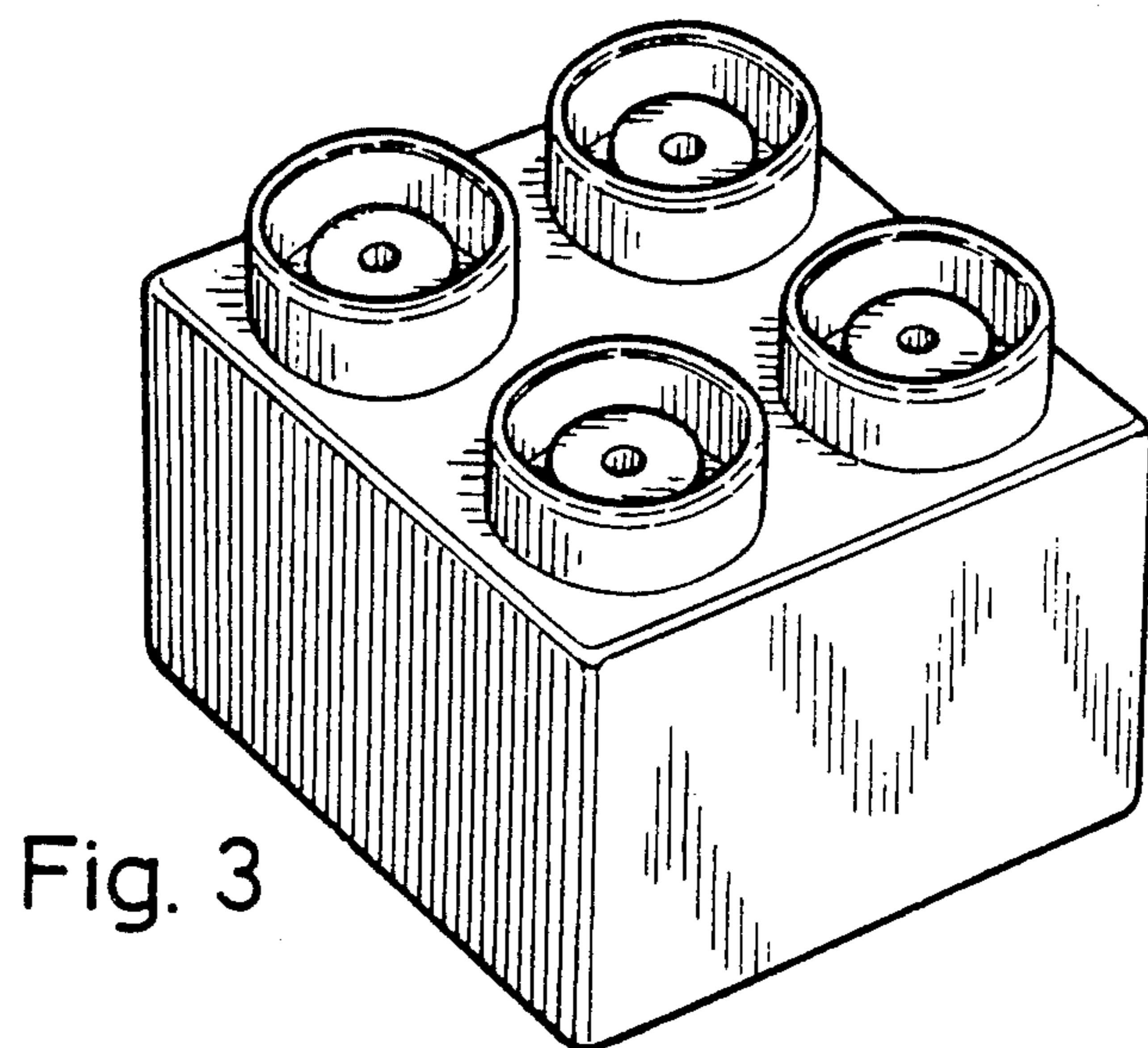
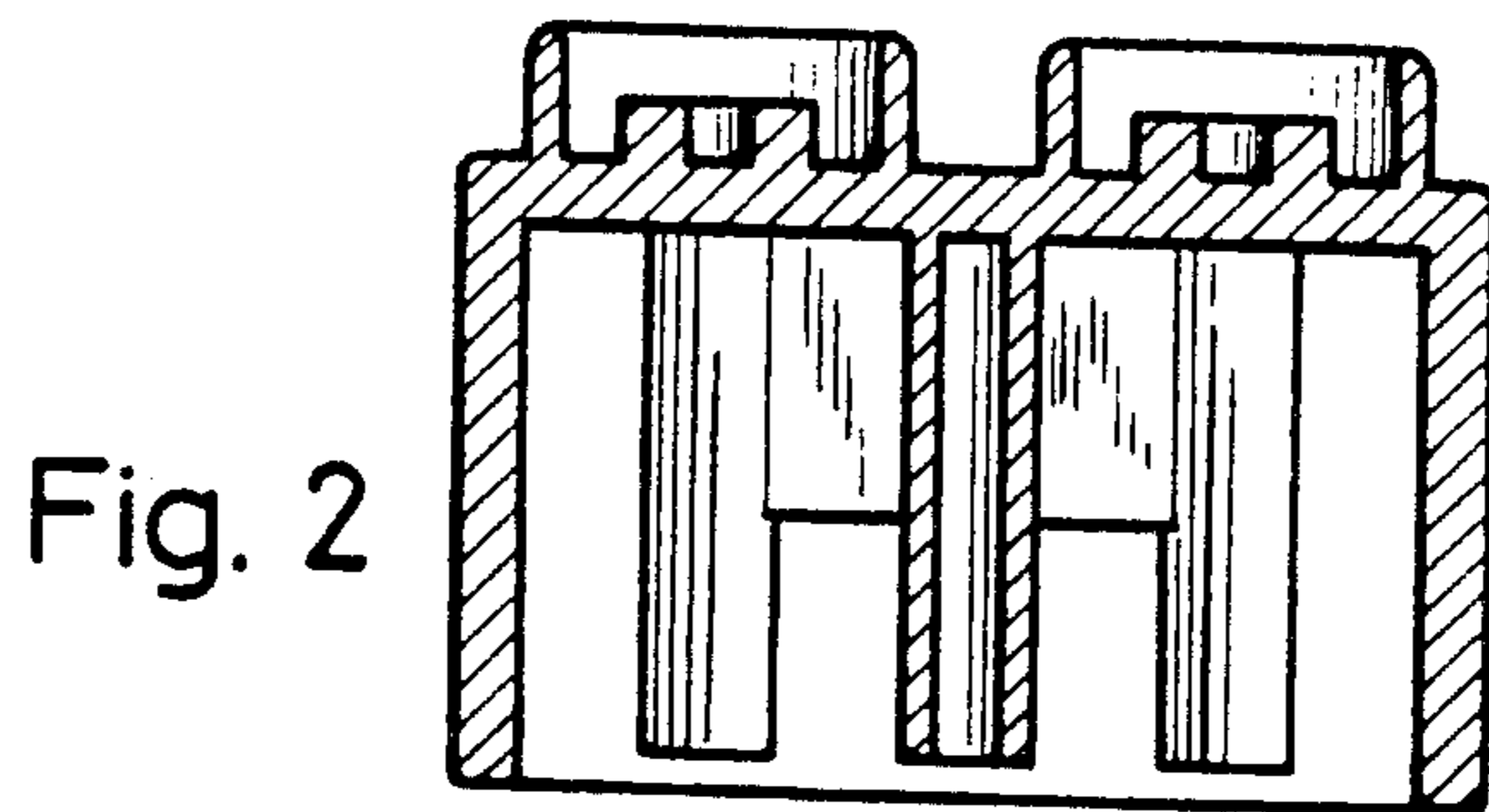
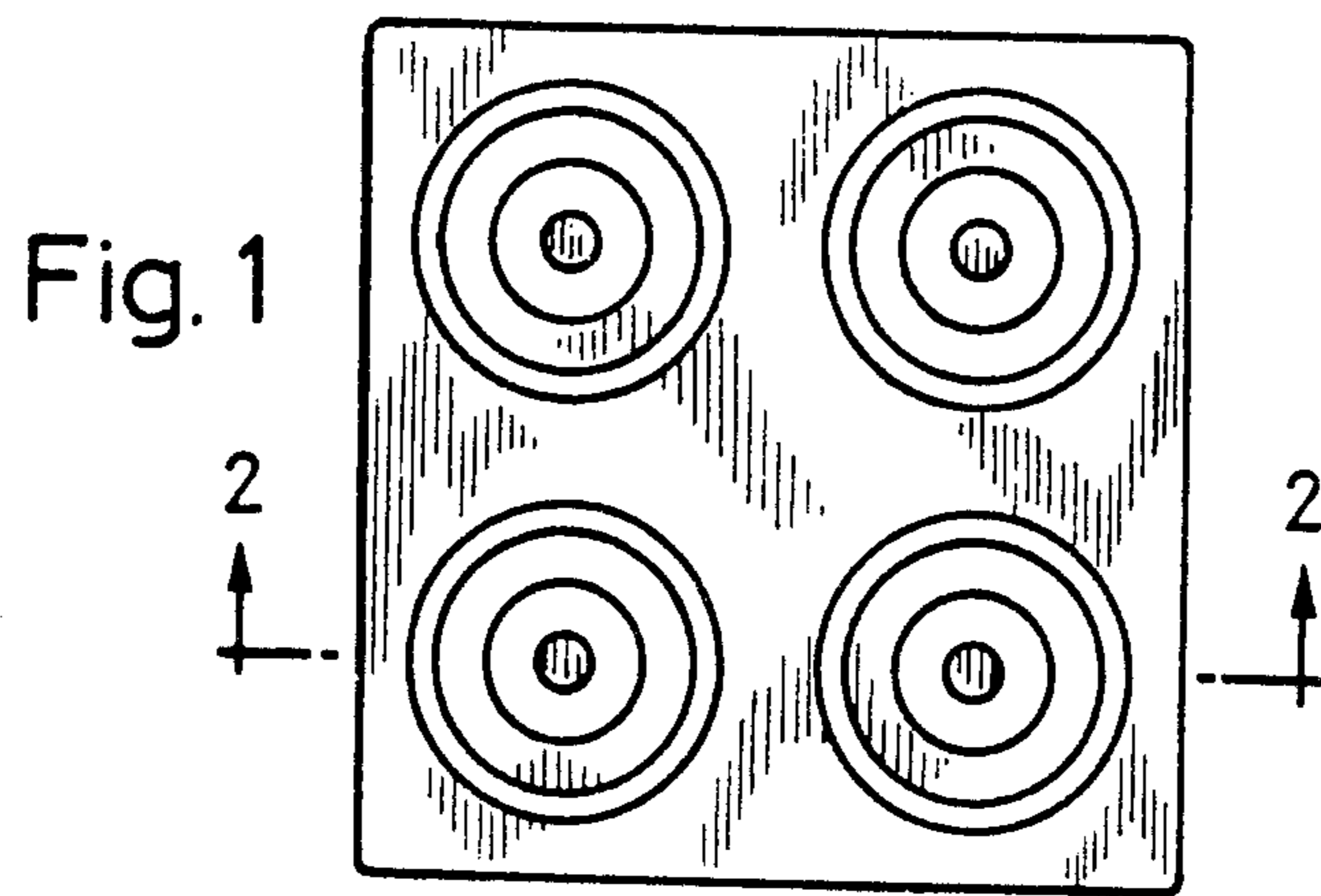


Fig. 4

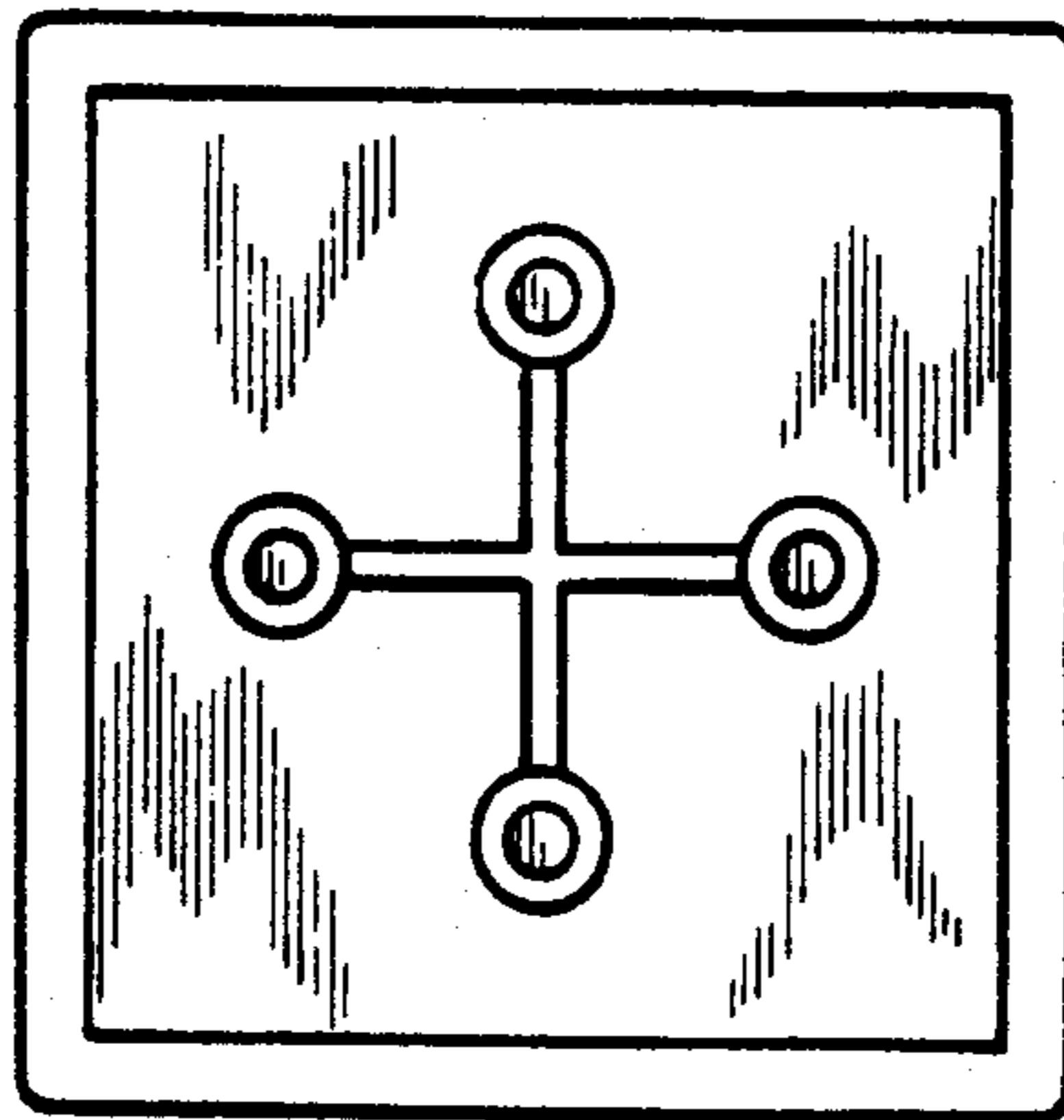


Fig. 5

