

[54] HARMONICA HOLDER

[76] Inventor: Earl B. Whited, R.R. #2, Box 146, Rushville, Ill. 62681

[**] Term: 14 Years

[21] Appl. No.: 493,810

[22] Filed: May 12, 1983

[52] U.S. Cl. D17/13; D17/20

[58] Field of Search D17/13, 99, 20; 84/379, 84/170; 224/910; 248/443, 447.1, 447.2

[56] References Cited

U.S. PATENT DOCUMENTS

397,541	2/1889	Gaertner	84/379
1,762,645	6/1930	Spalleno	84/170
1,912,654	6/1933	Peterson	84/379

2,171,128 8/1939 Koons 84/379

FOREIGN PATENT DOCUMENTS

329213 3/1920 Fed. Rep. of Germany 84/379

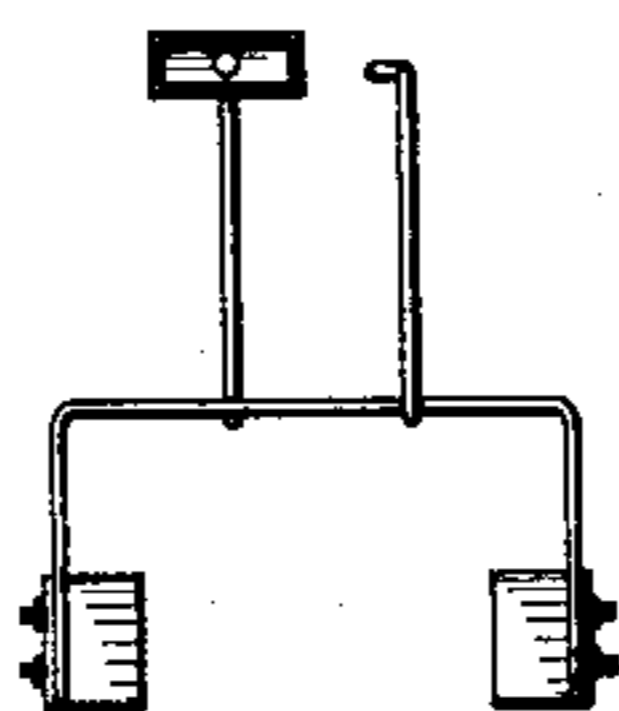
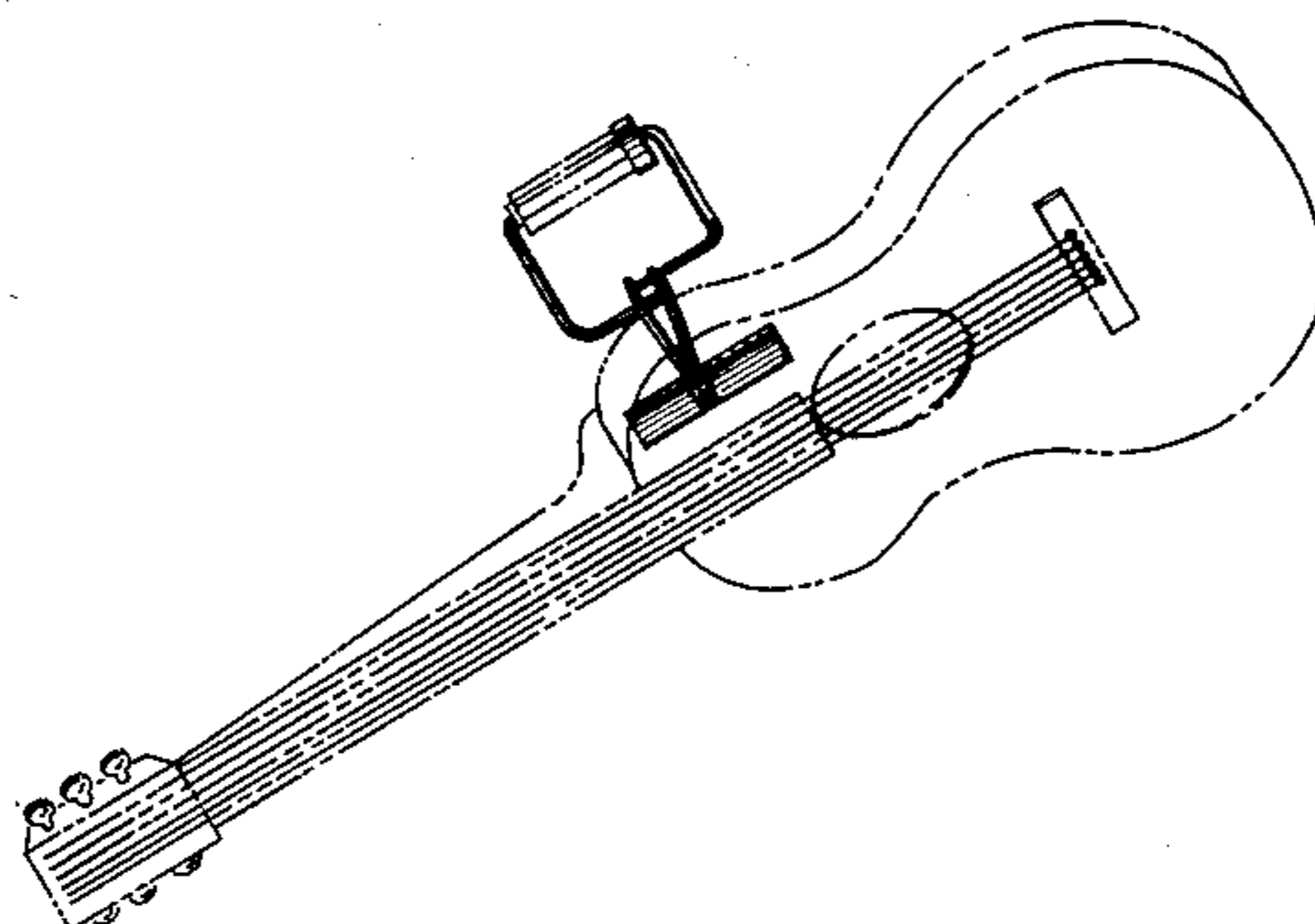
Primary Examiner—Jane E. Corrigan
Attorney, Agent, or Firm—Norman B. Rainer

[57] CLAIM

The ornamental design for a harmonica holder, substantially as shown and described.

DESCRIPTION

FIG. 1 is a front view of a harmonica holder showing my new design attached to a guitar and holding a harmonica, both of which are shown in broken lines; FIG. 2 is a left side elevational view; FIG. 3 is a rear elevational view; and FIG. 4 is a top plan view.



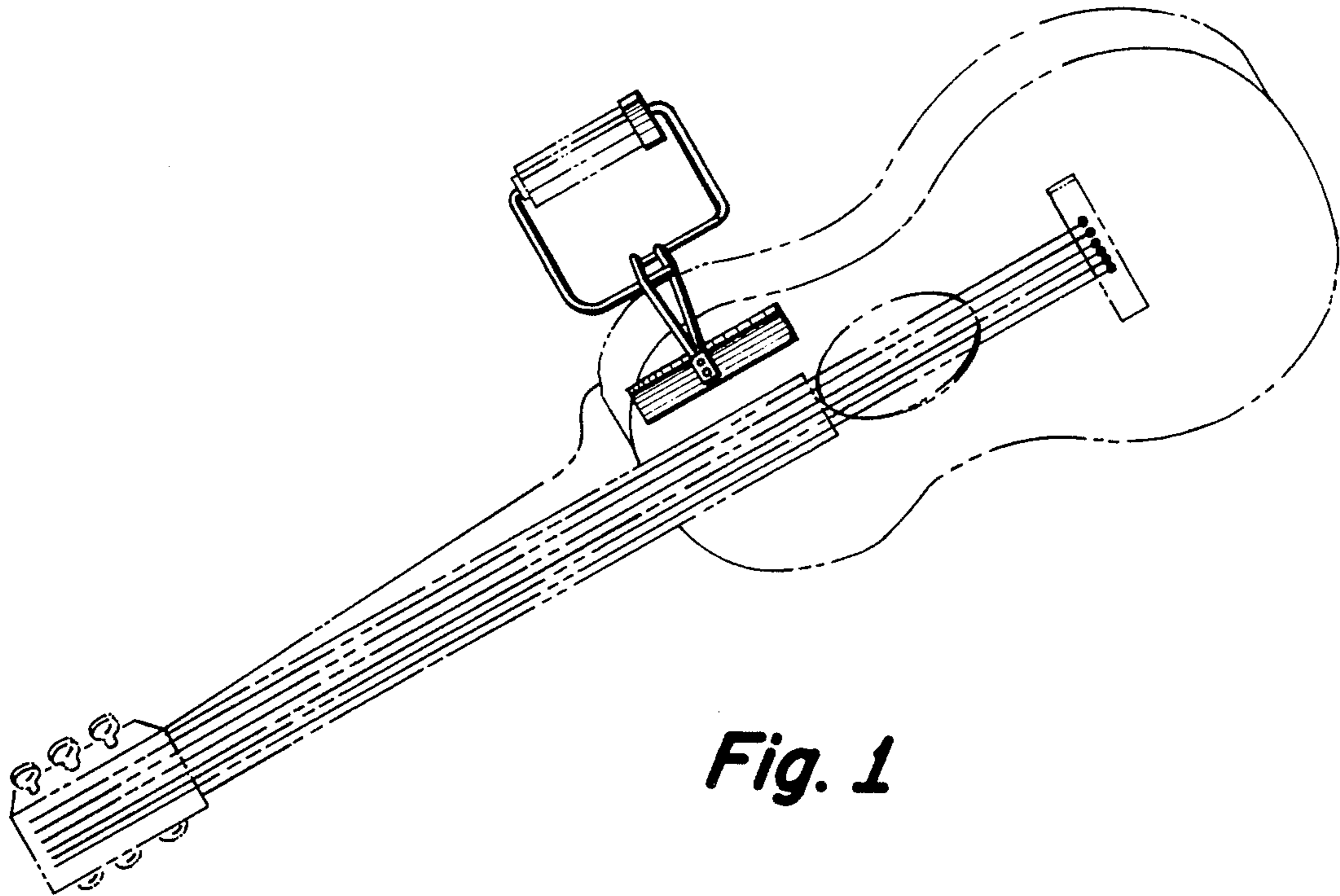


Fig. 1

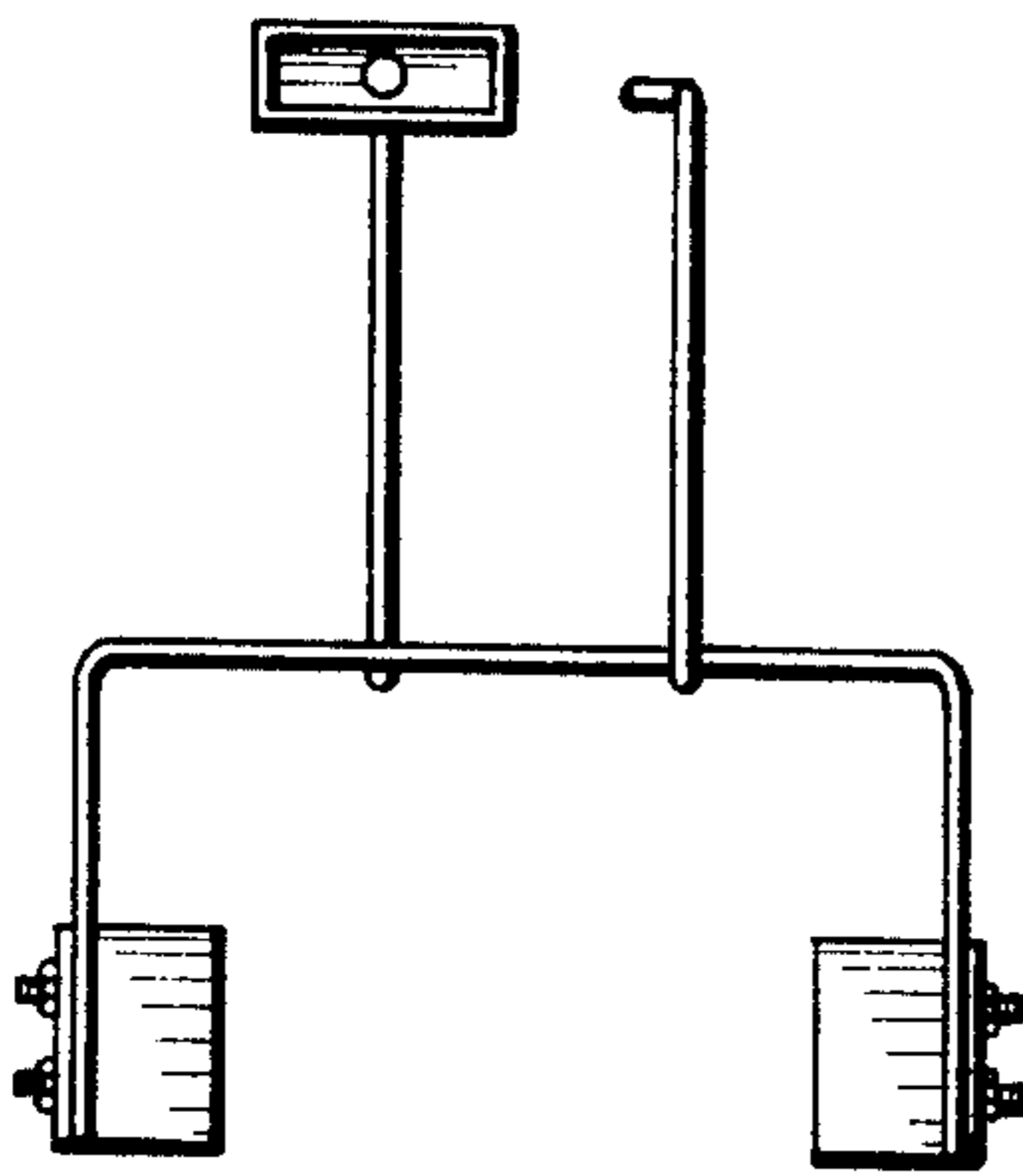


Fig. 2

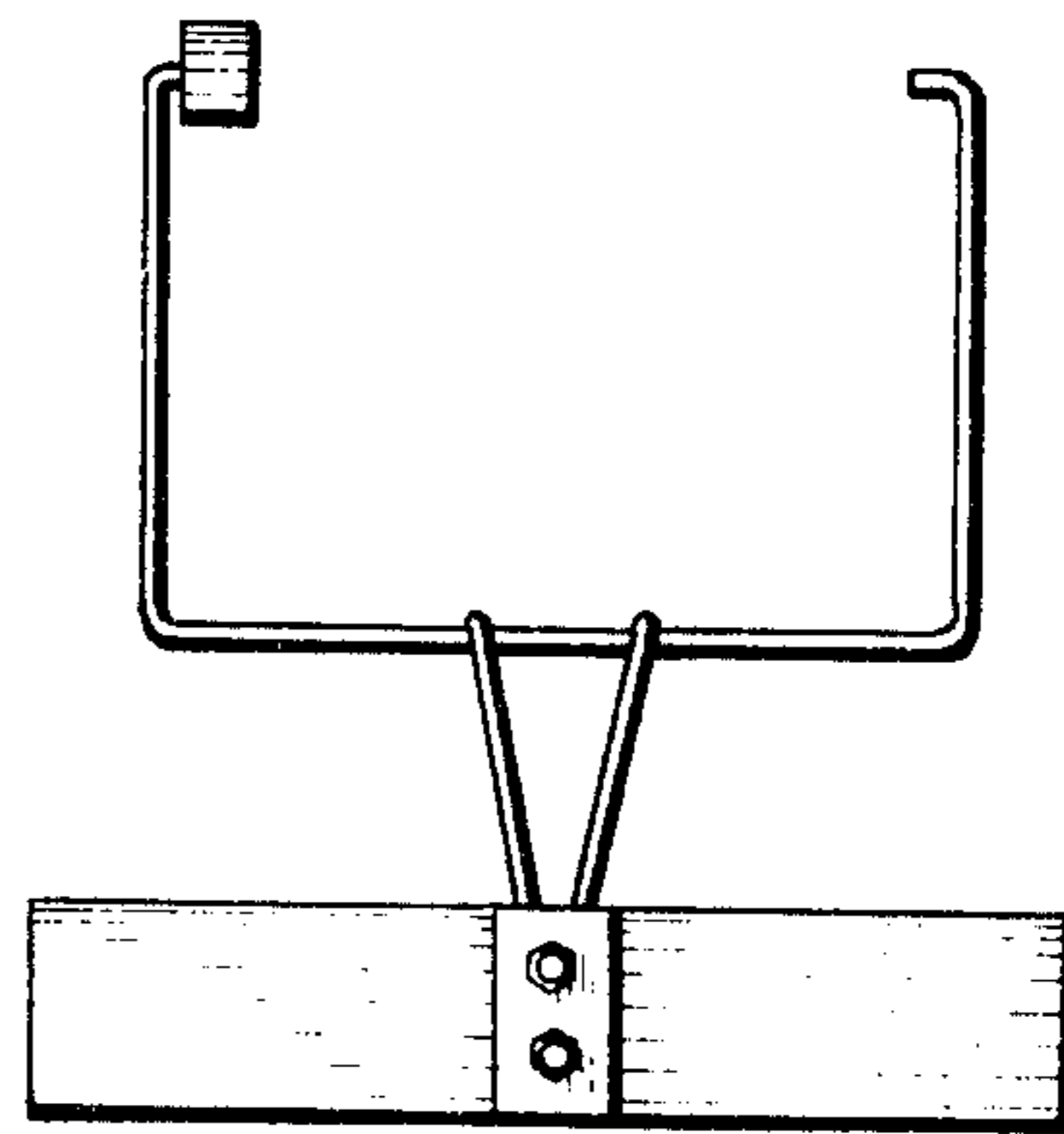


Fig. 3

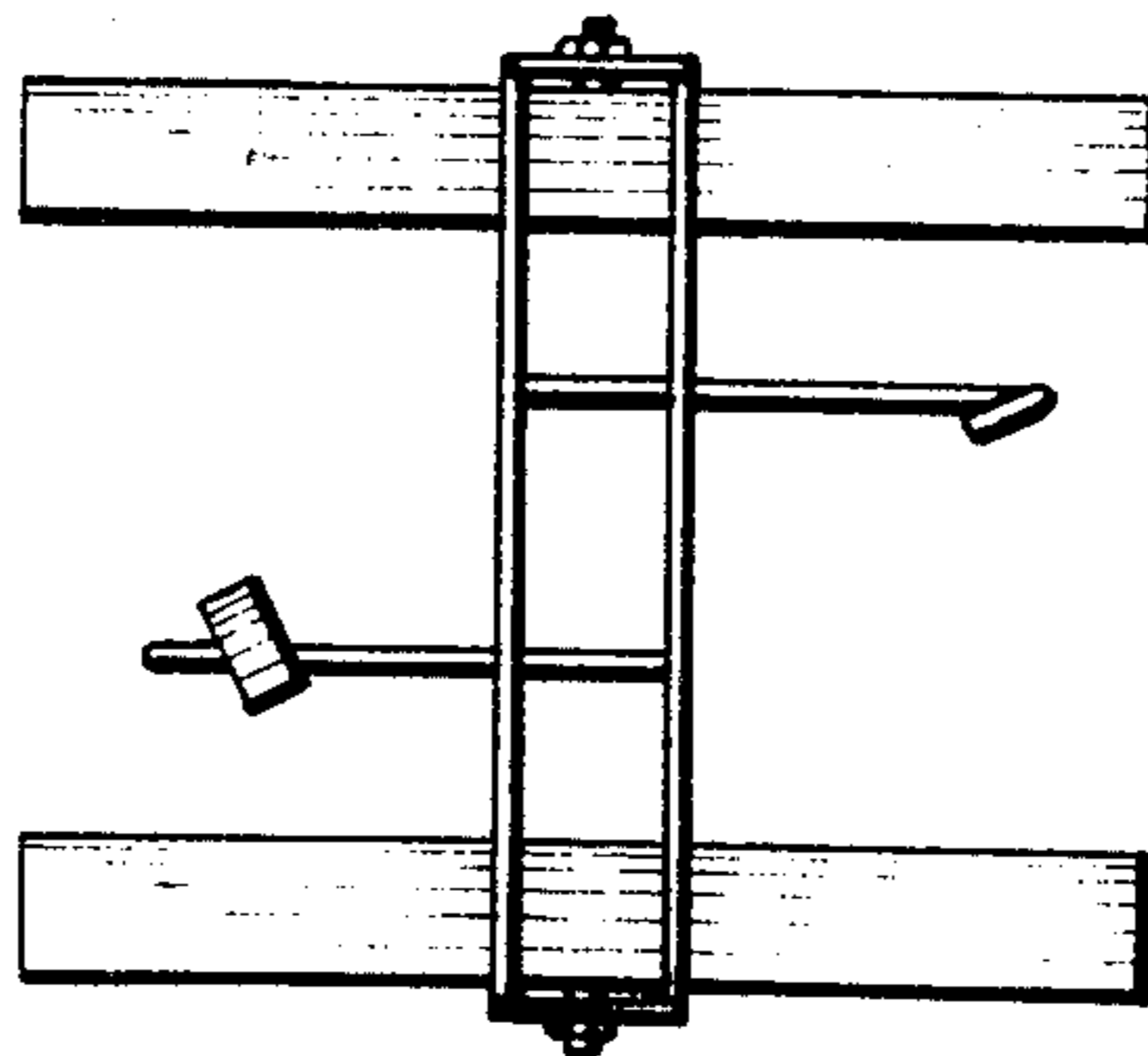


Fig. 4