

[54] COMBINATION TELEPHONE, CLOCK AND RADIO SET

[75] Inventor: David Topp, Miami, Fla.

[73] Assignee: Multi-tech Industries Corp., Miami, Fla.

[**] Term: 14 Years

[21] Appl. No.: 628,601

[22] Filed: Jul. 6, 1984

Related U.S. Application Data

[63] Continuation-in-part of Ser. No. 601,965, Apr. 19, 1984.

[52] U.S. Cl. D14/73; D14/53; D14/62; 179/179

[58] Field of Search D14/52-67, D14/71-73, 75, 104-107, 113-115; D10/2, 15, 4, 106; 179/20 P, 90 K, 90 FW, 100 R, 100 L, 178, 179; 438/112, 227, 188, 191, 193, 195; 400/123, 87, 483; 273/DIG. 27; D6/184; D19/25.25; D18/24-26, 7; D40/337, 339

[56] References Cited

U.S. PATENT DOCUMENTS

- D. 220,627 5/1971 Stoltz et al. D14/106
- D. 254,601 4/1980 Talesfore D10/15
- D. 258,889 4/1981 Hayashi D10/2

- D. 272,422 1/1984 Swarztrauber et al. D10/106
- D. 274,247 6/1984 Genaro et al. D14/53
- 4,286,124 8/1981 Guttman 179/179

OTHER PUBLICATIONS

Western Electric Brochure showing AT&T "Design Line" Big Button Set.

Webcor Electronics' Jumbo Button Phone, Model 767, shown in *Telephony* at page 76.

Siemens Corp. Ad, "The Easy EPABX", in *Telephony*, pp. 112, 113; 1-14-80.

Cobra Telephone, Clock, Radio Set, Model R.P. 740S; in *Fordham Magazine*, p. 5; ©1983.

Primary Examiner—Wallace R. Burke

Assistant Examiner—Horace B. Fay

Attorney, Agent, or Firm—Staas & Halsey

[57] CLAIM

The ornamental design for a combination telephone, clock and radio set, as shown above.

DESCRIPTION

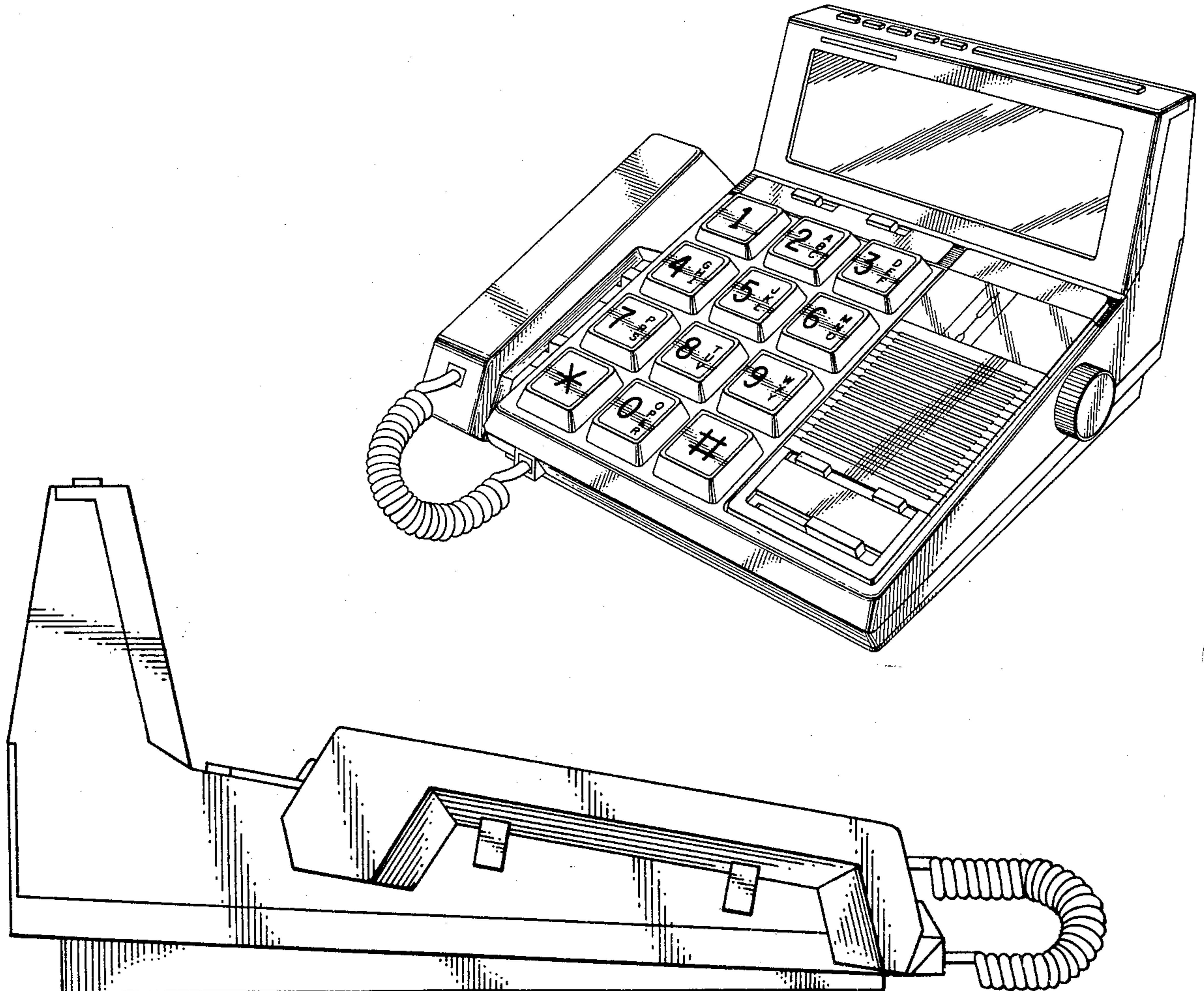
FIG. 1 is a front and right side perspective view from above of a combination telephone, clock and radio set showing my new design;

FIG. 2 is a right side elevational view thereof;

FIG. 3 is a left side elevational view thereof;

FIG. 4 is a rear elevational view thereof; and

FIG. 5 is a top plan view thereof.



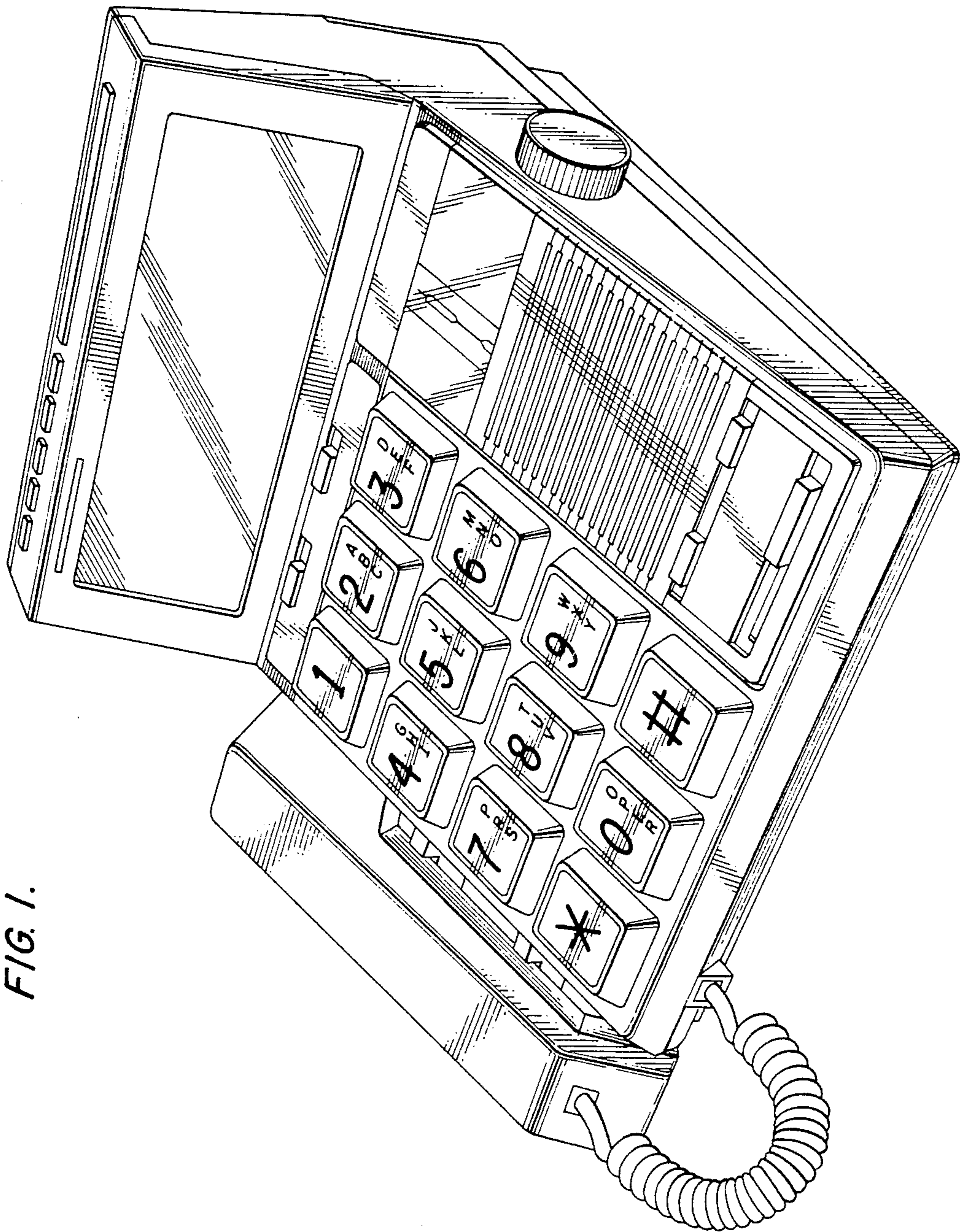


FIG. 1.

FIG. 2.

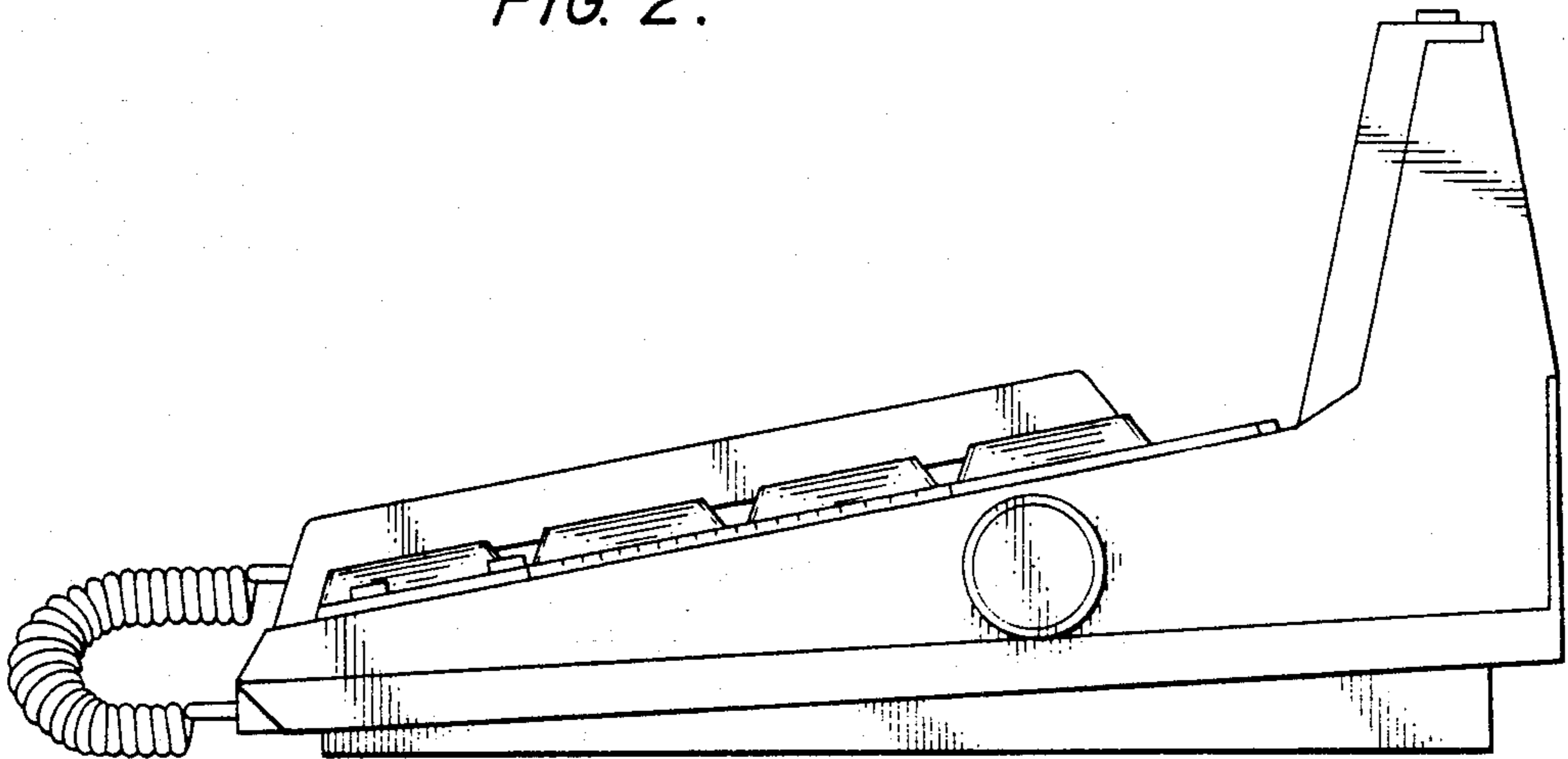


FIG. 3.

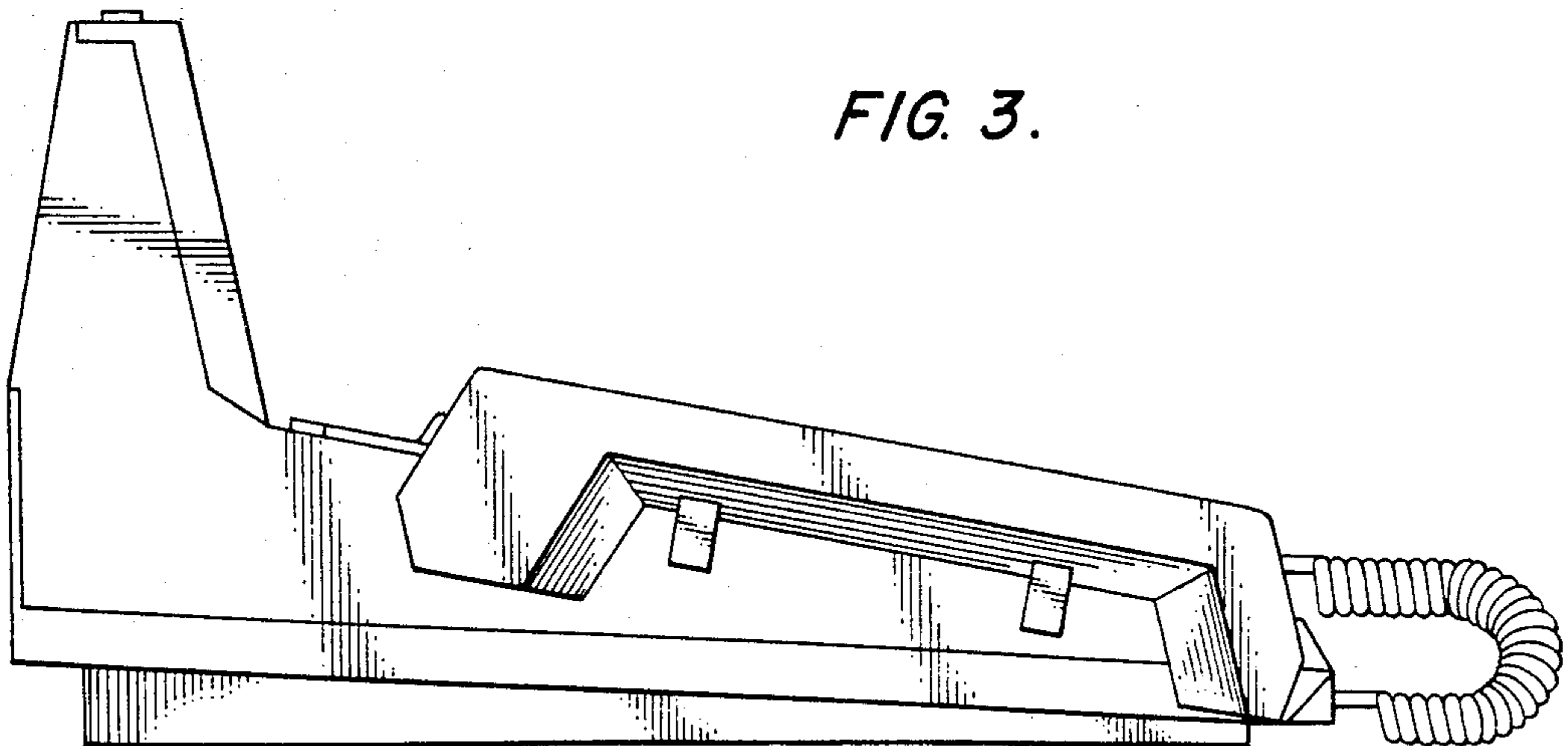


FIG. 4.

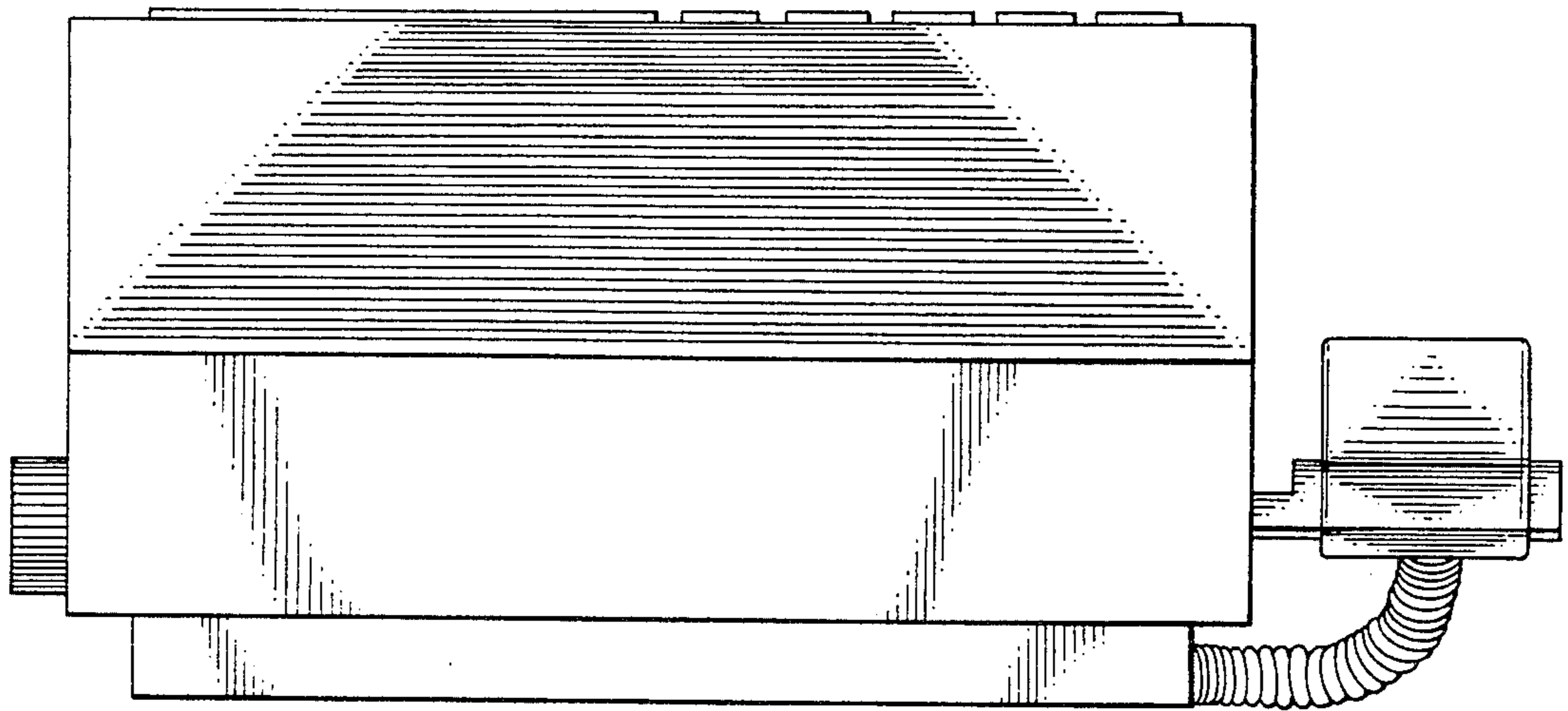


FIG. 5.

