

[54] **TELEPHONE**

[75] **Inventor: Eric J. Marshall, London, England**

[73] **Assignee: The Marshall Telephone Corporation Limited, Sidcup, England**

[\*\*] **Term: 14 Years**

[21] **Appl. No.: 435,867**

[22] **Filed: Oct. 21, 1982**

[30] **Foreign Application Priority Data**

Apr. 21, 1982 [GB] United Kingdom ..... 1006302

[52] **U.S. Cl.** ..... **D14/53; D14/59; D14/62; D14/58**

[58] **Field of Search** ..... **D14/52, 53, 59, 60, D14/61, 65, 101, 102, 92; 179/100 R, 100 D, 179, 101, 90 K**

[56] **References Cited**

**U.S. PATENT DOCUMENTS**

- D. 189,580 1/1961 Cannon ..... D14/62
- D. 242,928 1/1977 Büchin ..... D14/63
- D. 244,469 5/1977 Büchin ..... D14/92
- D. 250,956 1/1979 Yoshikawa ..... D14/53

- D. 254,067 1/1980 Janda ..... D14/53
- D. 258,283 2/1981 Stoddard ..... D14/53
- D. 258,288 1/1981 Aikawa et al. .... D14/53
- D. 262,879 2/1982 Marshall ..... D14/53
- D. 263,589 3/1982 Road ..... D14/60
- D. 268,579 4/1983 Marshall ..... D14/53

**OTHER PUBLICATIONS**

Telephony, 9-8-80, Showing of FIG. 1A Vital 2 Phone Set on p. 100, also p. 102.

Standard Telephone Set, Diavox 200, vol. 57, Ericsson Review #2 (1980), on last page of Branden et al., article on p. 46.

*Primary Examiner*—James M. Gandy

*Assistant Examiner*—Horace B. Fay

*Attorney, Agent, or Firm*—William A. Drucker

[57] **CLAIM**

The ornamental design for a telephone, as shown.

**DESCRIPTION**

FIG. 1 is a front elevational view of a telephone showing my new design;

FIG. 2 is a rear elevational view thereof;

FIG. 3 is a top plan view thereof; and

FIG. 4 is a side view thereof.

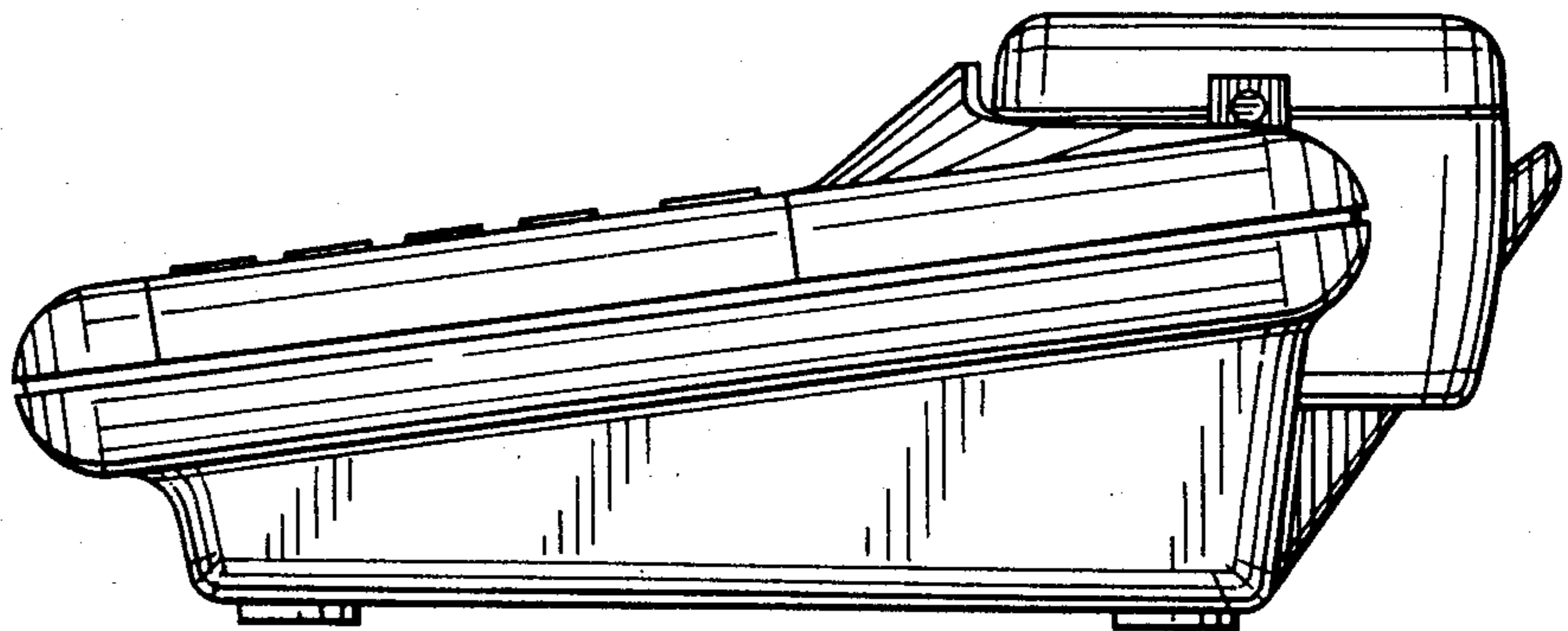
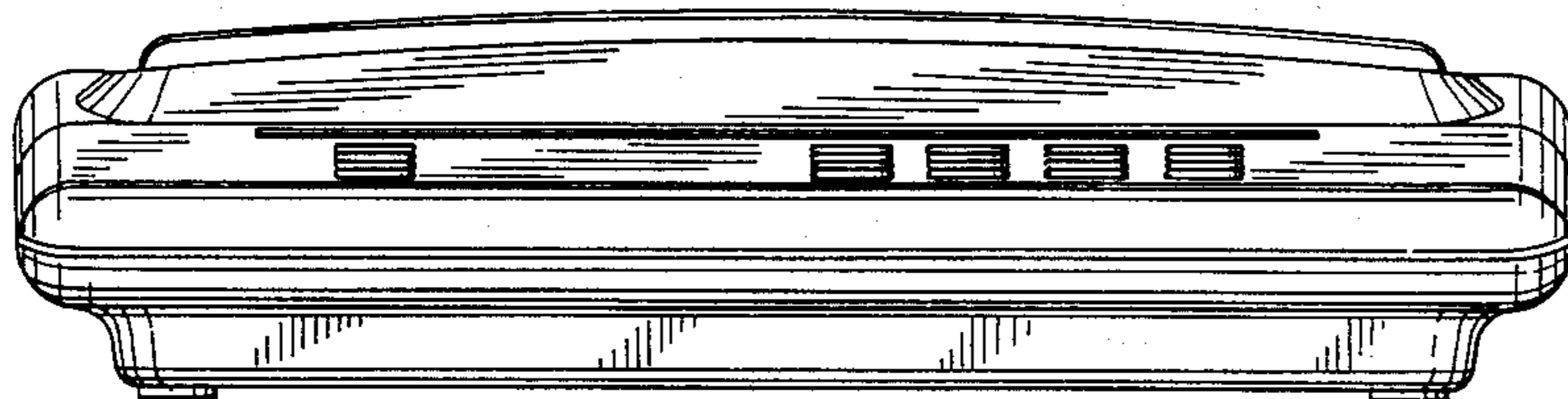


FIG.1.

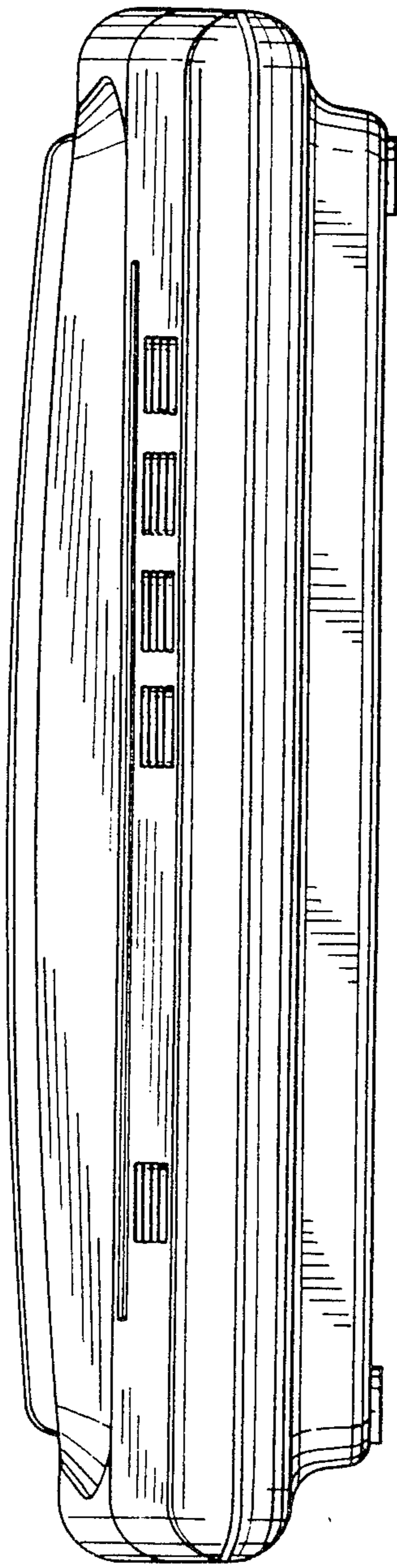


FIG.2.

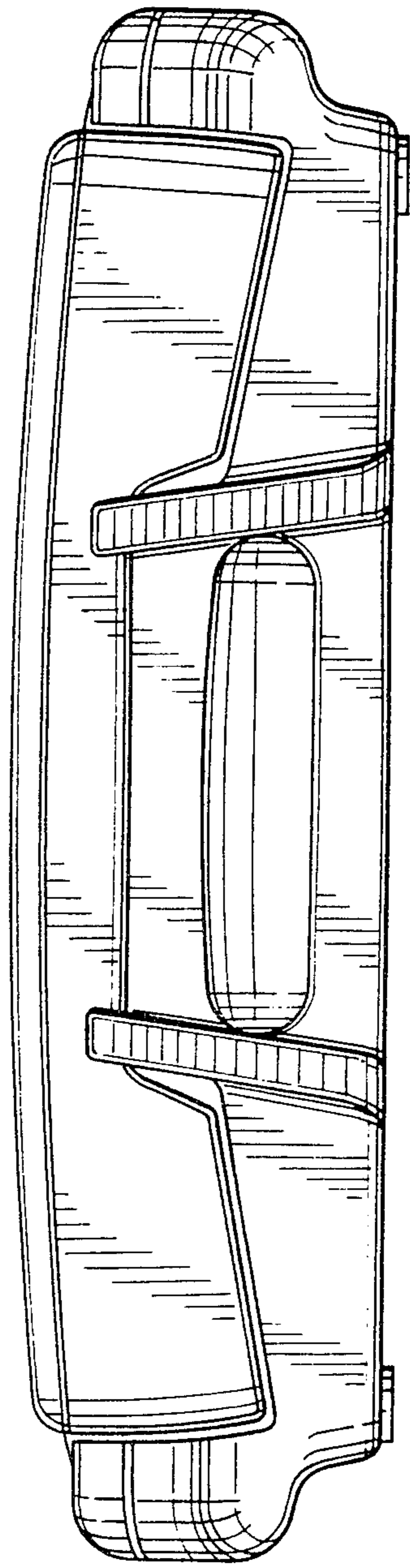


FIG. 3.

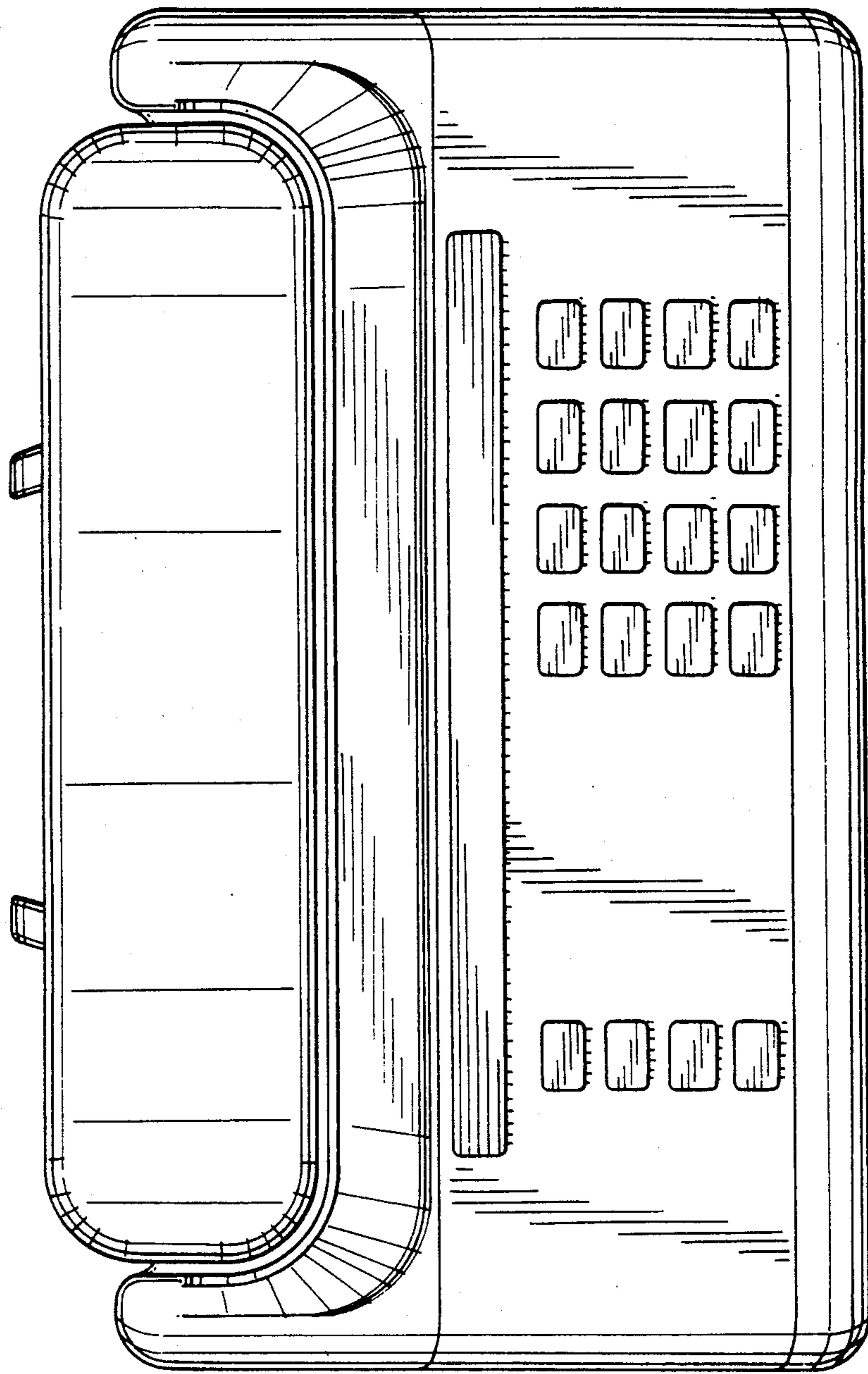


FIG. 4.

