

# United States Patent [19]

Sumpter

[11] Patent Number: **Des. 279,887**

[45] Date of Patent: **\*\* Jul. 30, 1985**

[54] **CHRISTMAS TREE STAND**

[76] Inventor: **Wade D. Sumpter**, 1715 S. Main,  
McAlester, Okla. 74501

[\*\*] Term: **14 Years**

[21] Appl. No.: **491,362**

[22] Filed: **May 4, 1983**

[52] U.S. Cl. .... **D11/130.1**

[58] Field of Search ..... **D11/130.1; 47/40.5,**  
**47/42; 248/511, 514, 519, 523, 524, 527, 529**

[56] **References Cited**

**U.S. PATENT DOCUMENTS**

D. 174,421 4/1955 Ford ..... **D11/130.1**

982,866 1/1911 Poppendieck ..... 248/523  
1,457,820 1/1922 Cleveland ..... D11/130.1  
2,524,671 10/1950 Lampe ..... 248/523

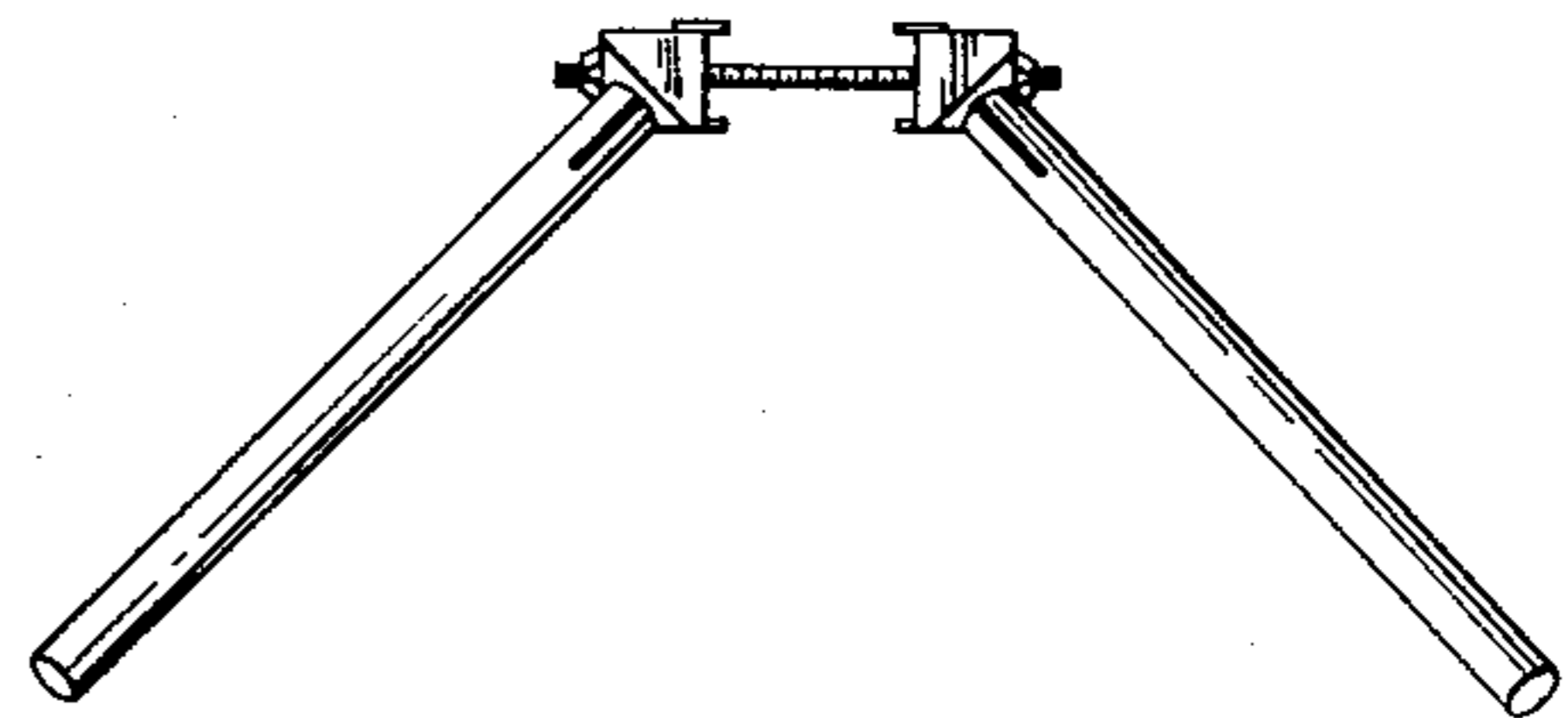
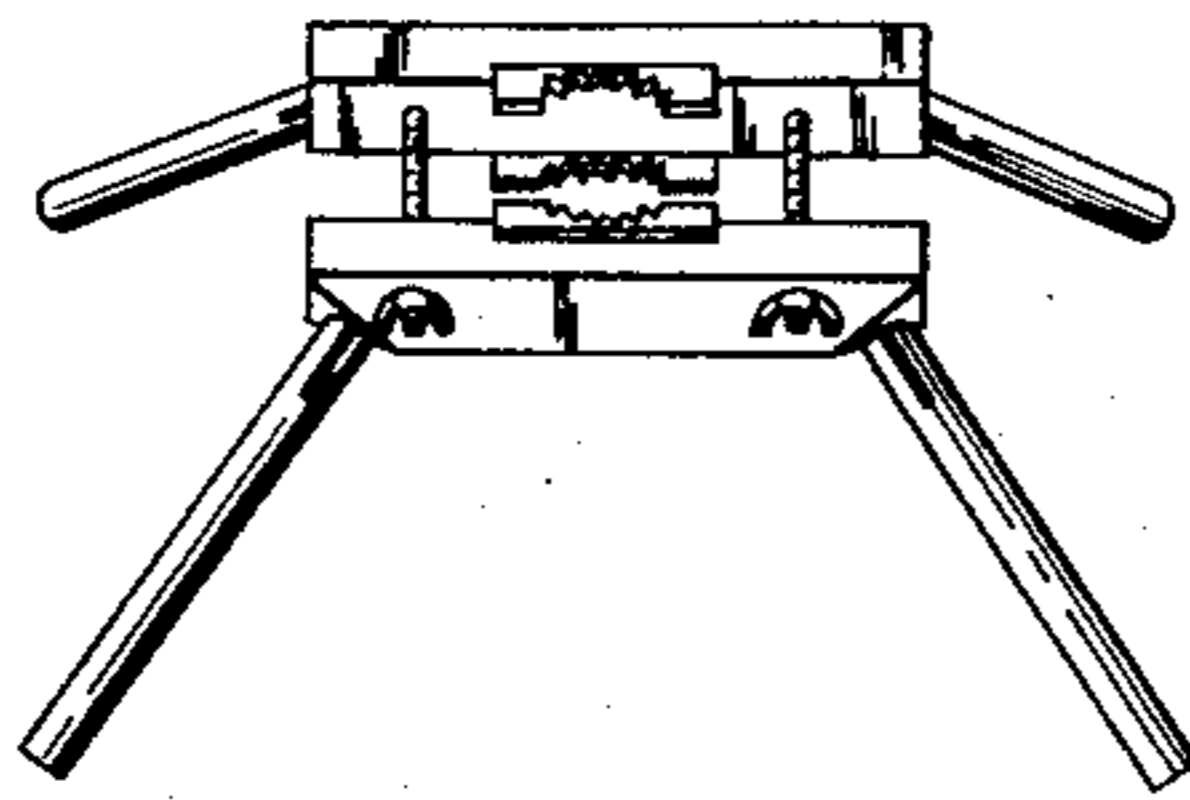
*Primary Examiner*—B. J. Bullock  
*Assistant Examiner*—Suzanne N. Gitlin  
*Attorney, Agent, or Firm*—R. L. Phillips

[57] **CLAIM**

The ornamental design for a Christmas tree stand, substantially as shown.

**DESCRIPTION**

FIG. 1 is a front perspective view of a Christmas tree stand showing my new design,  
FIG. 2 is a front elevational view thereof,  
FIG. 3 is a side elevational view thereof, and  
FIG. 4 is a top plan view thereof.



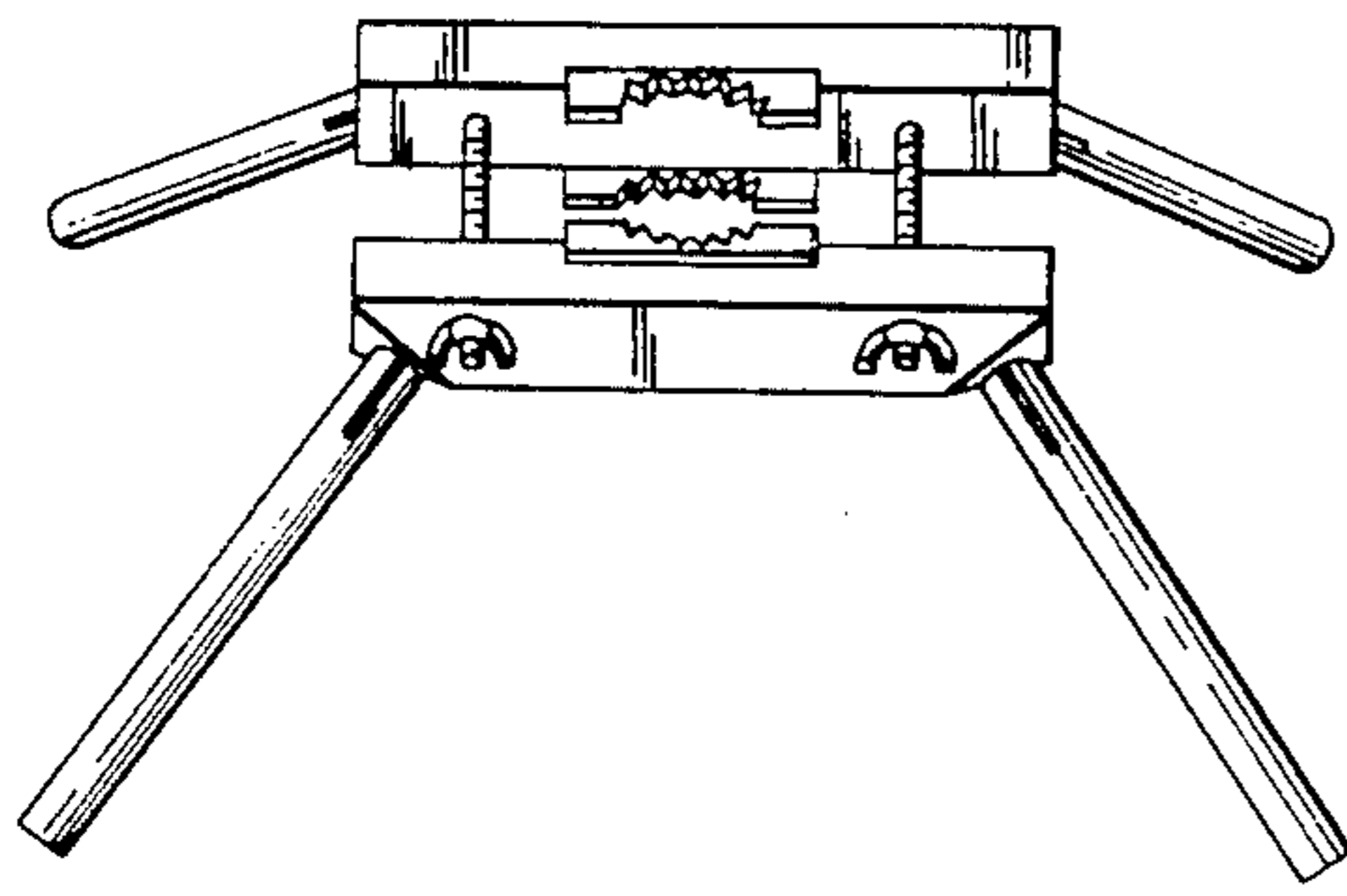


FIG. 1

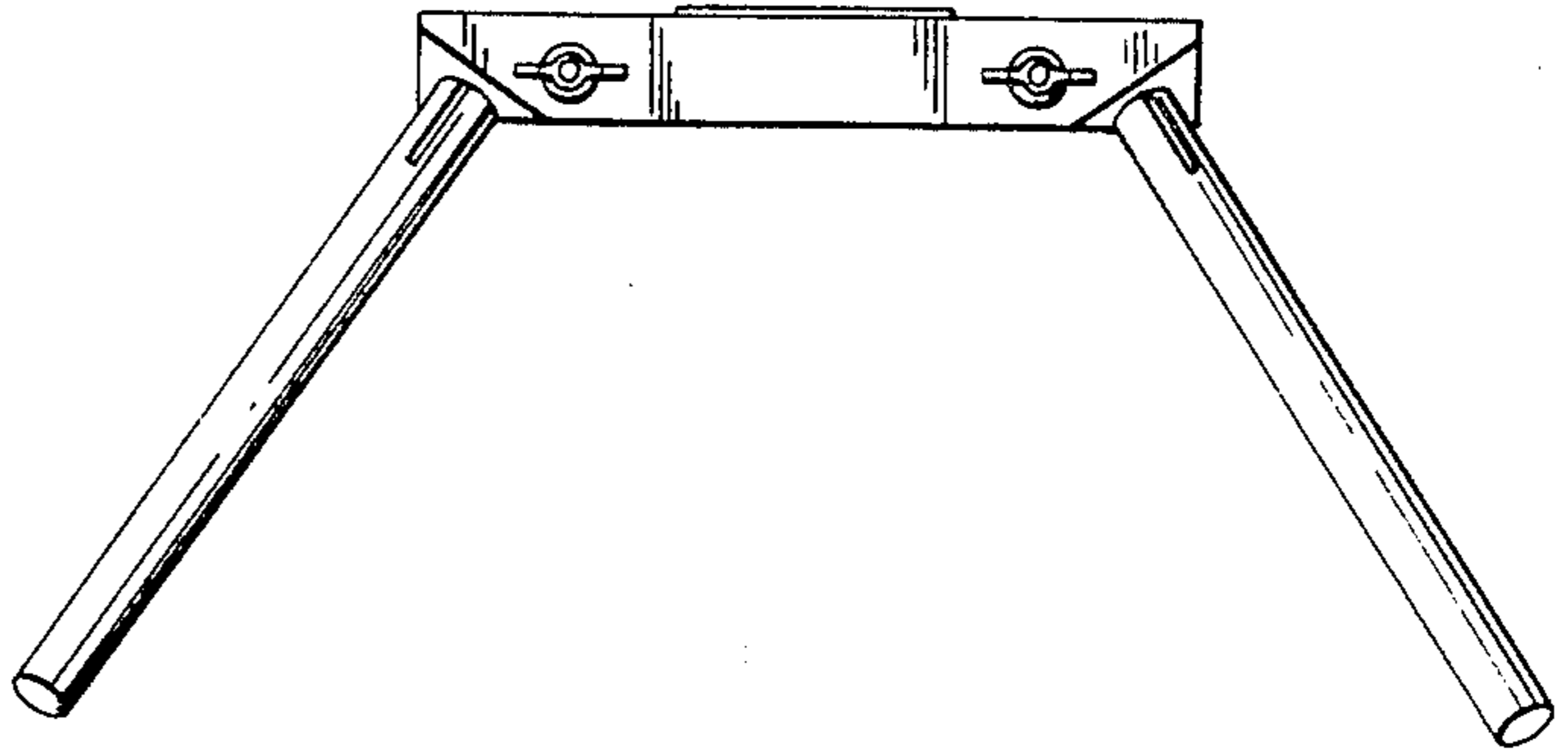


FIG. 2

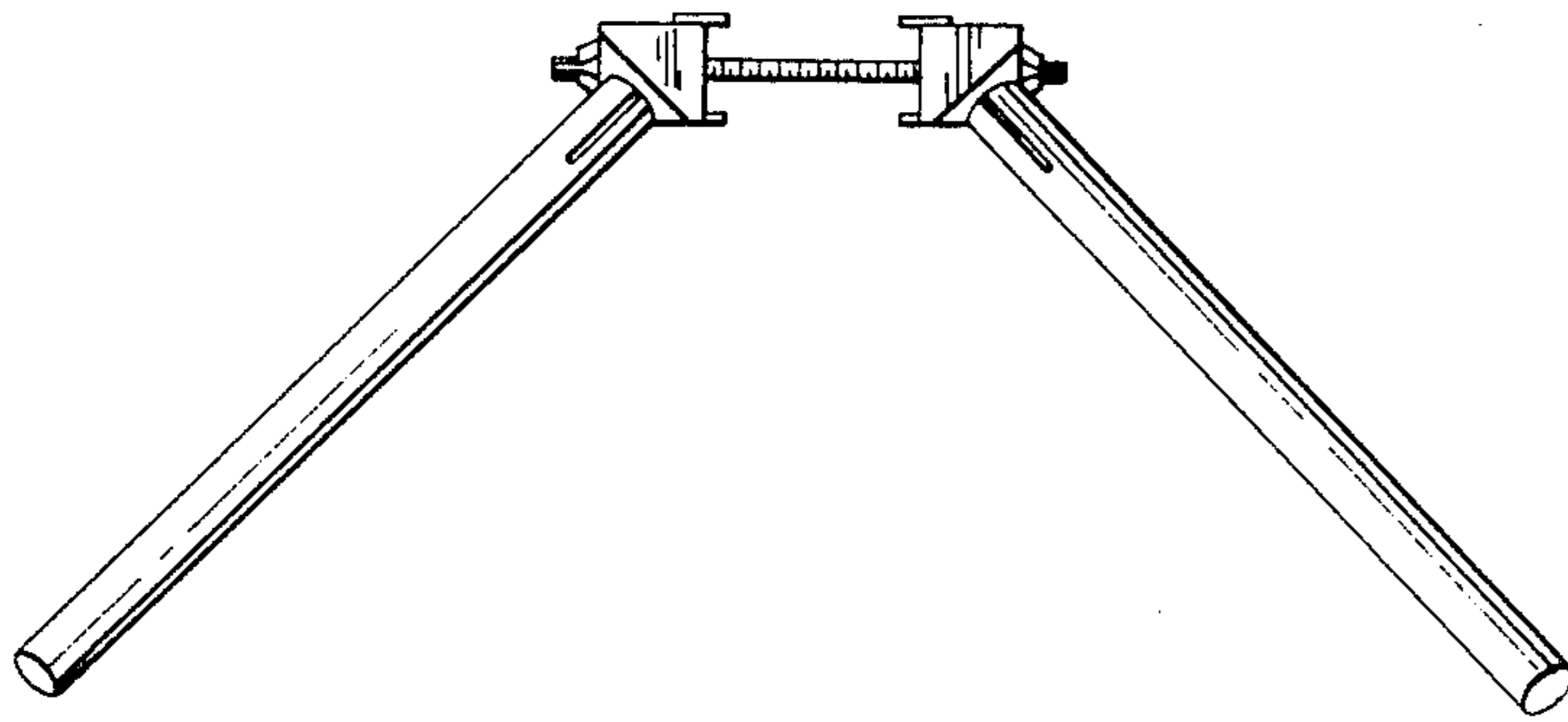


FIG. 3

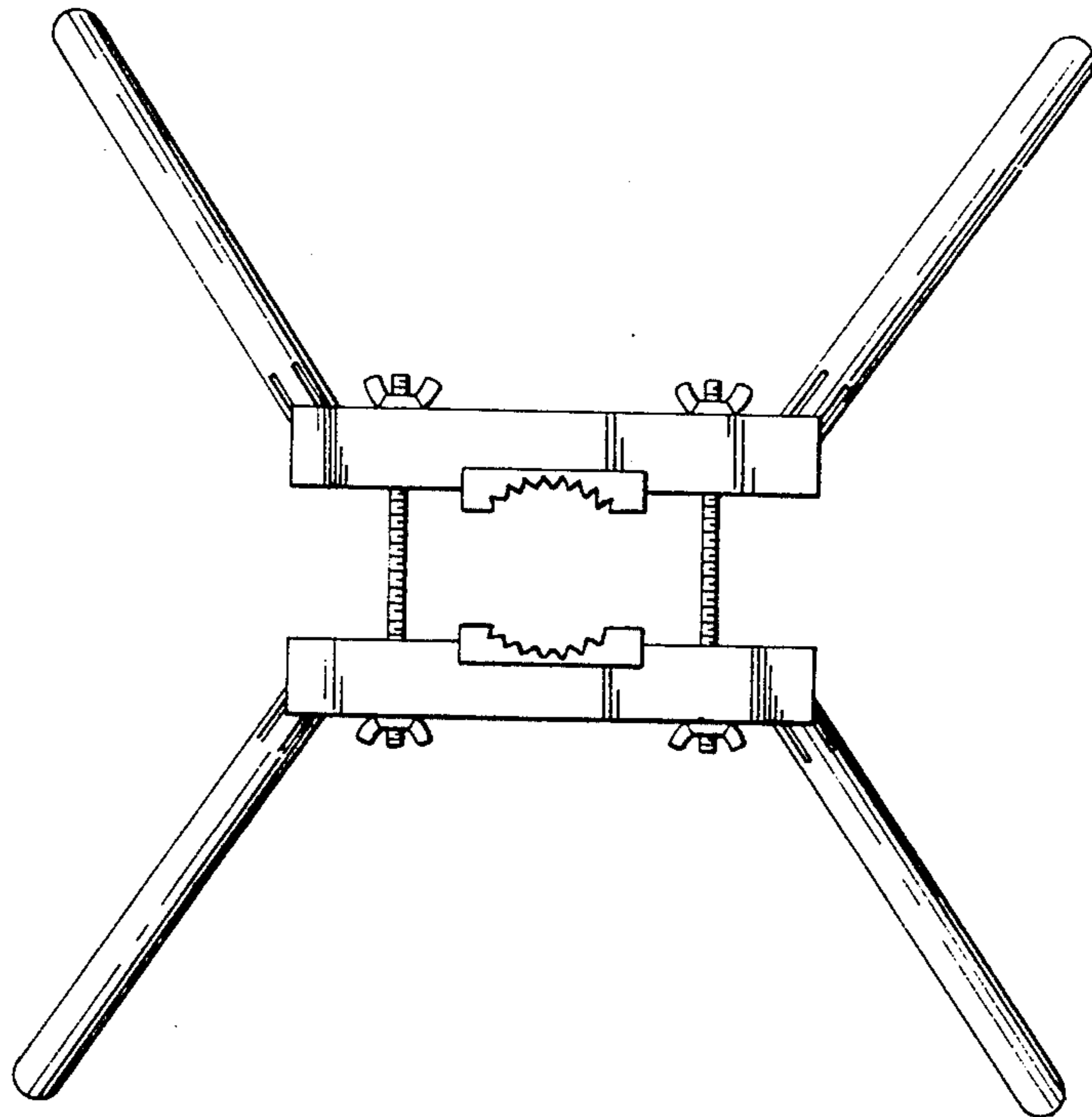


FIG. 4