

United States Patent [19]

Wilson

[11] Patent Number: **Des. 279,870**

[45] Date of Patent: **** Jul. 30, 1985**

[54] **SAW GUIDE**

[75] Inventor: **Richard C. Wilson, Champlin, Minn.**

[73] Assignee: **Tie Down Engineering, Inc., Atlanta, Ga.**

[**] Term: **14 Years**

[21] Appl. No.: **473,025**

[22] Filed: **Mar. 7, 1983**

[52] U.S. Cl. **D10/62; D10/65**

[58] Field of Search **D10/61, 62, 64, 65; 33/418, 465, 483, 484, 485, 494, 495**

[56] **References Cited**

U.S. PATENT DOCUMENTS

79,062 6/1868 Fisher 33/495
D. 248,864 8/1978 Yen D10/62 X
D. 252,615 8/1979 Lopez D10/62

D. 268,476 4/1983 Owen D10/71 X
825,727 7/1906 Hight D10/62 X
1,947,448 2/1934 Ahola 33/465
4,443,950 4/1984 Cockeram 33/465 X

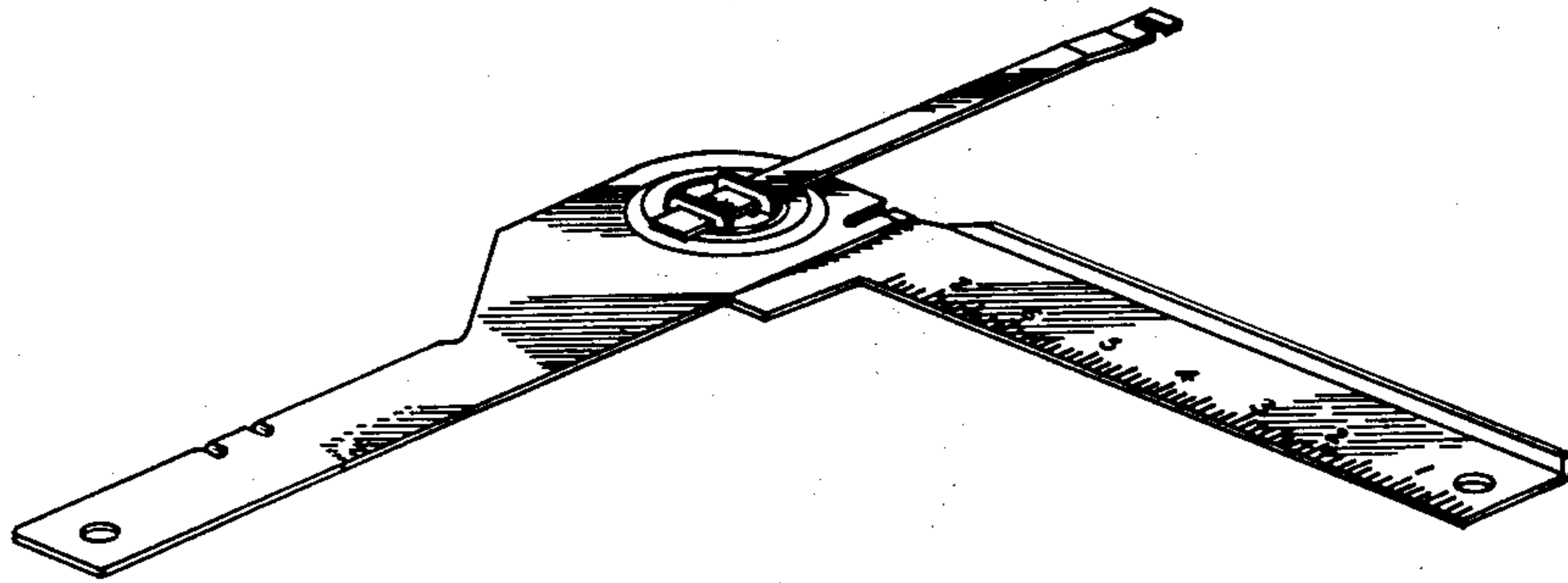
Primary Examiner—Nelson C. Holtje
Attorney, Agent, or Firm—James R. Haller

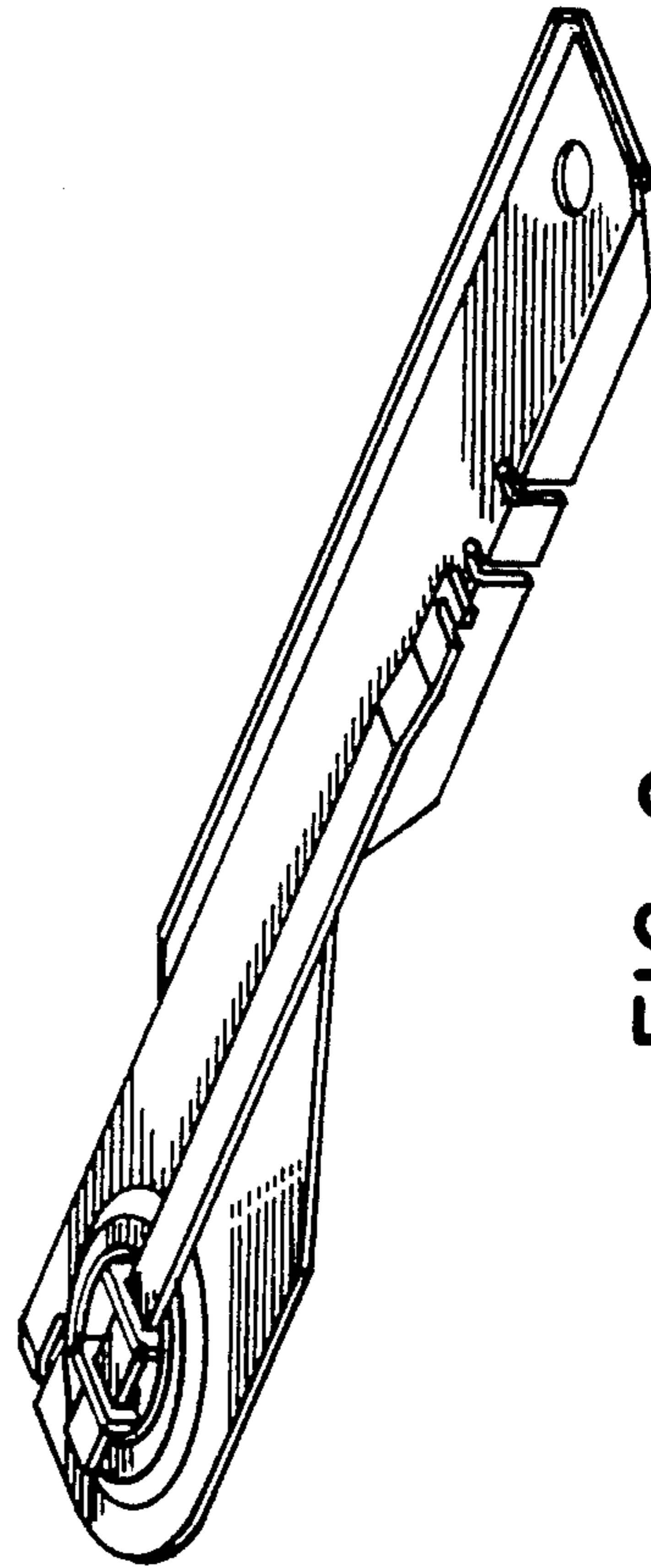
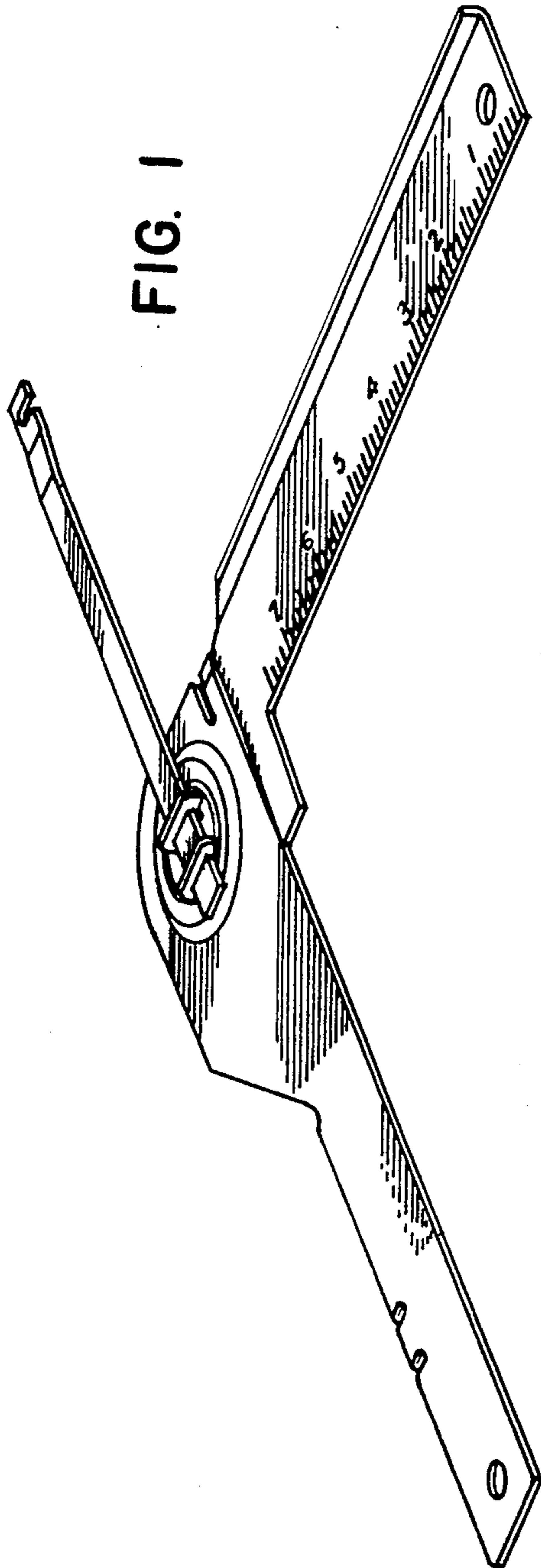
[57] **CLAIM**

The ornamental design for a saw guide, as shown and described.

DESCRIPTION

FIG. 1 is a perspective view of a saw guide showing my new design in the open position;
FIG. 2 is a perspective view thereof in the closed position;
FIG. 3 is a top plan view of FIG. 1;
FIG. 4 is a top plan view of FIG. 2;
FIG. 5 is a bottom plan view of FIG. 1;
FIG. 6 is a bottom plan view of FIG. 2.





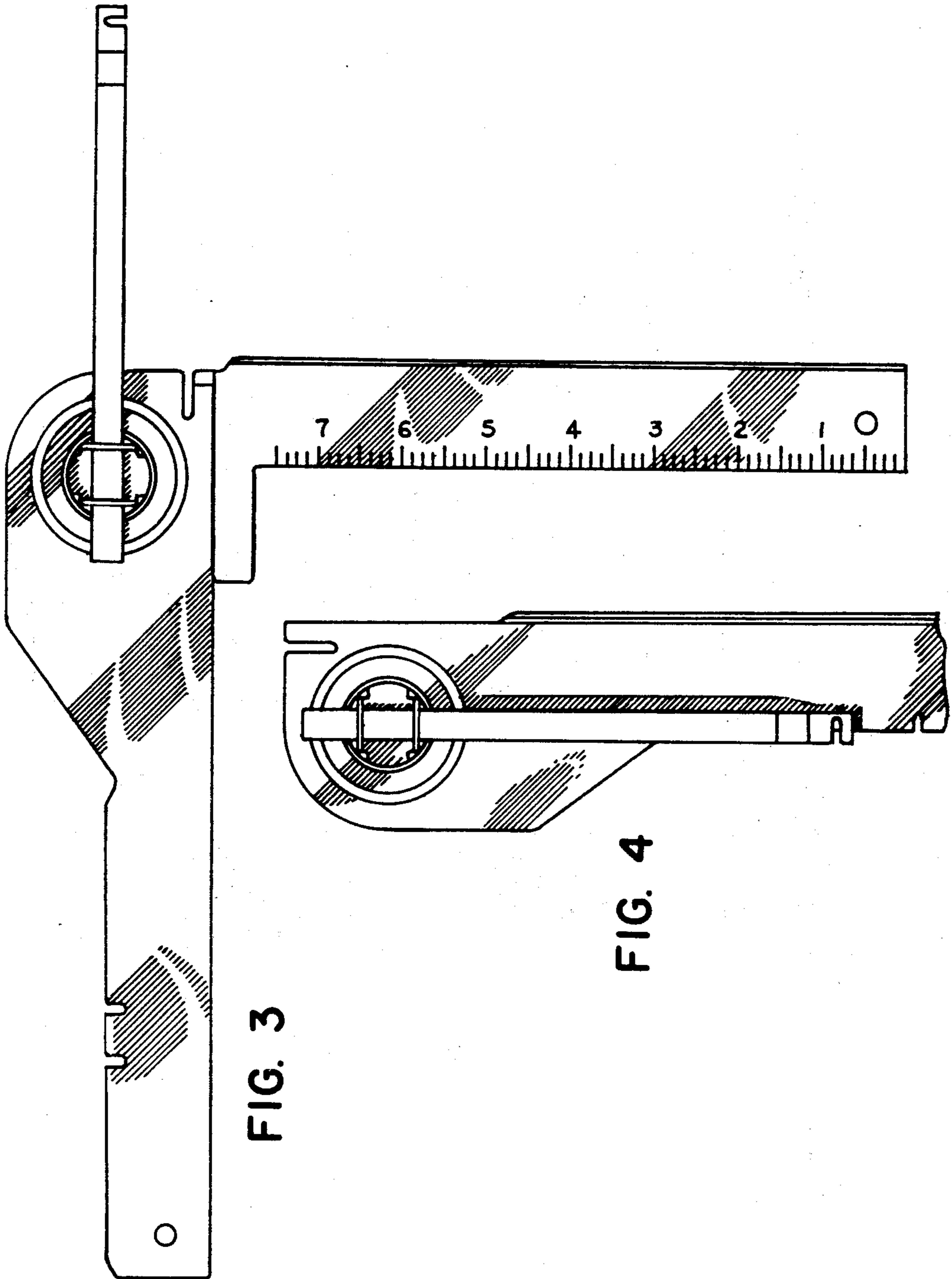


FIG. 3

FIG. 4

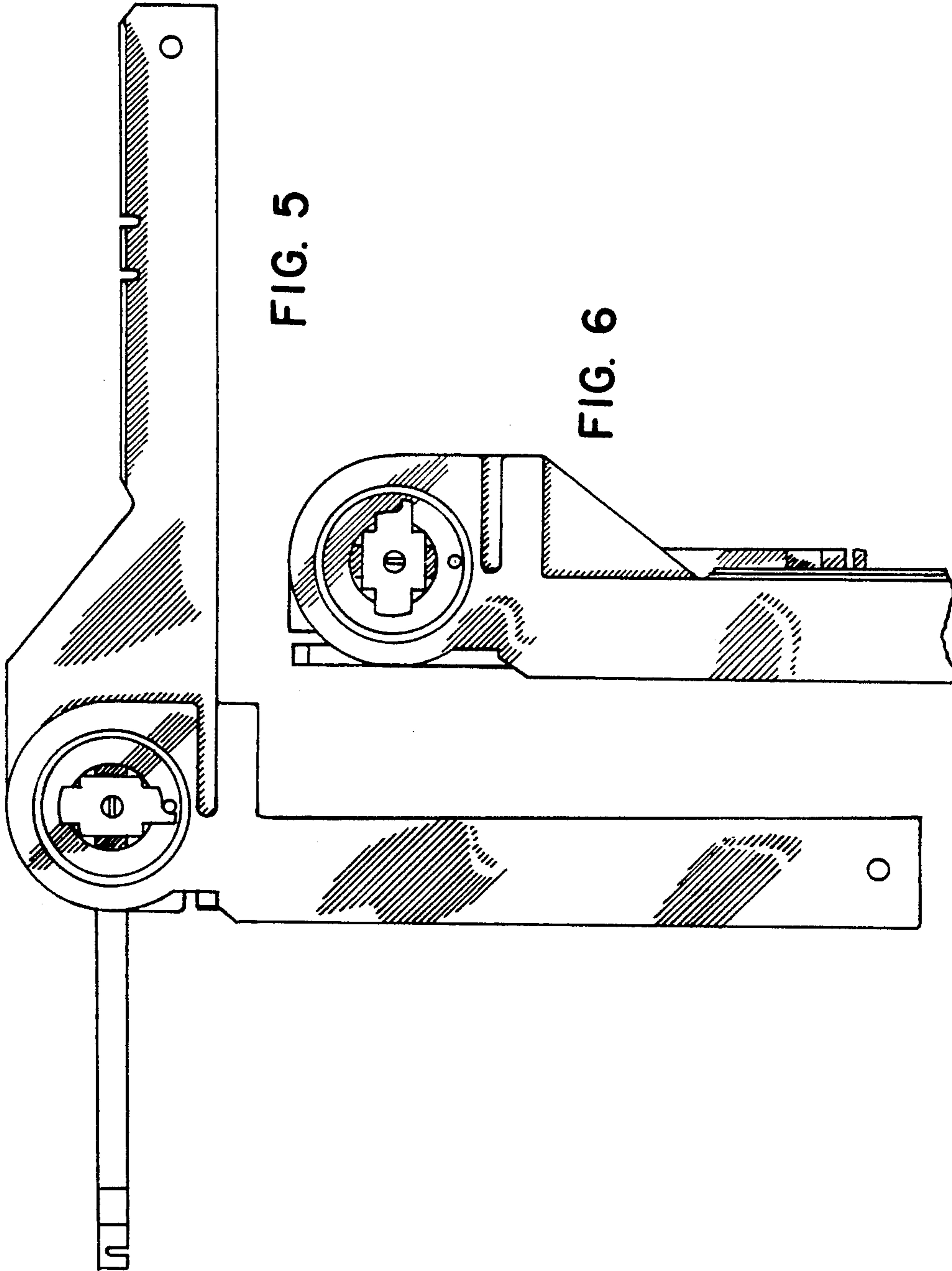


FIG. 5

FIG. 6