

[54] COMBINED
THERMOMETER-HYGROMETER FOR
VEHICLES

[75] Inventor: Yoshihisa Tanaka, Ichikawa, Japan

[73] Assignee: Tanaka Manufacturing Co., Ltd.,
Tokyo, Japan

[**] Term: 14 Years

[21] Appl. No.: 458,851

[22] Filed: Jan. 17, 1983

[52] U.S. Cl. D10/53; D10/60;
D10/102

[58] Field of Search D10/52, 53, 60, 102,
D10/103, 46; 73/336, 431; 374/142, 143, 208

[56] References Cited

U.S. PATENT DOCUMENTS

D. 181,053 9/1957 Hauser D10/53 X

D. 187,714	4/1960	Taylor	D10/53
D. 214,202	5/1969	Stahel	D10/53
D. 251,482	4/1979	Sugiyama	D10/53
3,681,992	8/1972	Cofoid	73/336 X
3,709,039	1/1973	Preiser	73/336
4,207,768	6/1980	Henss	73/431

Primary Examiner—Nelson C. Holtje

[57] CLAIM

The ornamental design for combined thermometer-hygrometer for vehicles, as shown.

DESCRIPTION

FIG. 1 is a front and top-left perspective view of a combined thermometer-hygrometer for vehicles showing my new design;

FIG. 2 is a front elevational view thereof;

FIG. 3 is a rear elevational view thereof;

FIG. 4 is a top plan view thereof;

FIG. 5 is a bottom plan view thereof;

FIG. 6 is a right side elevational view thereof.

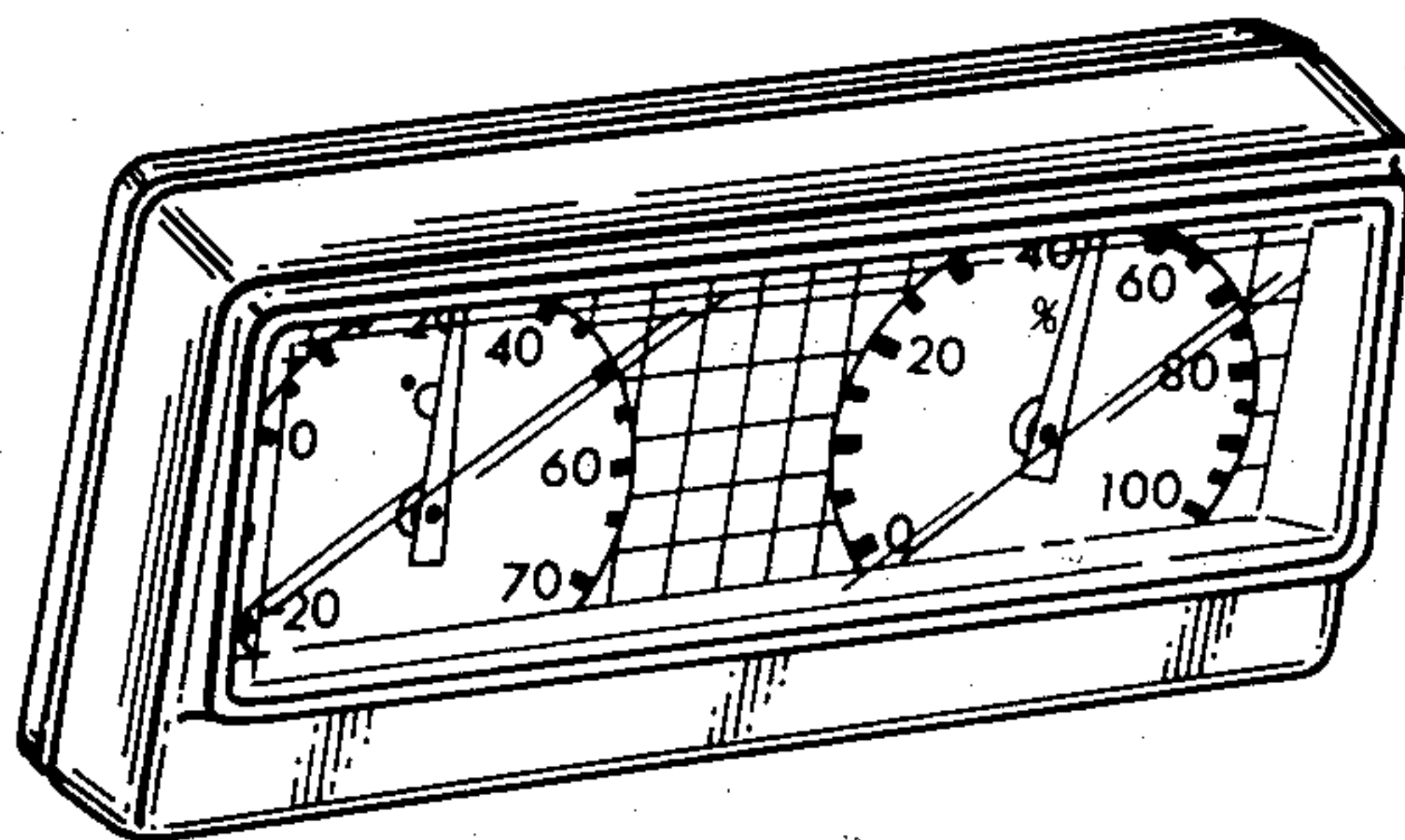


FIG. 1

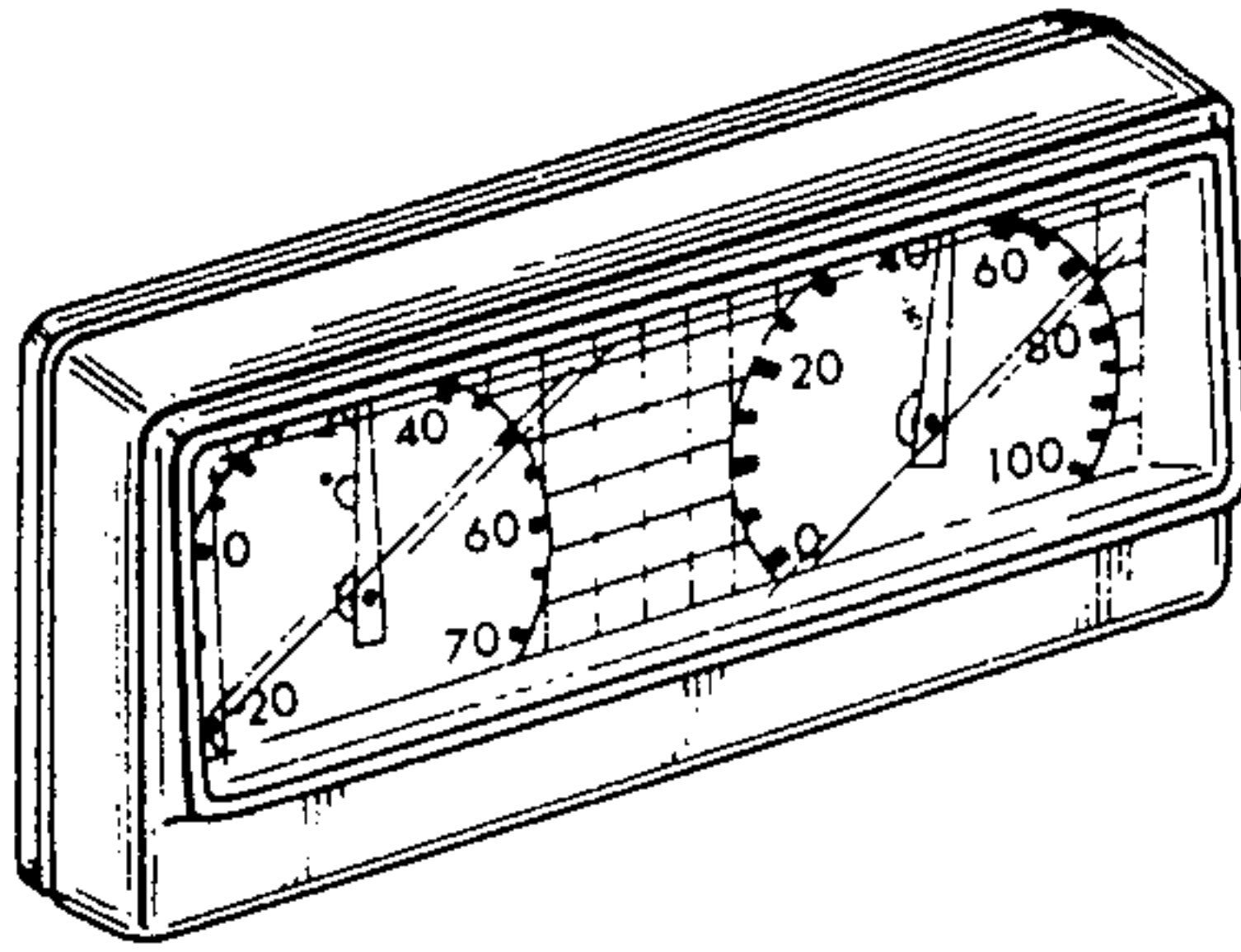


FIG. 2

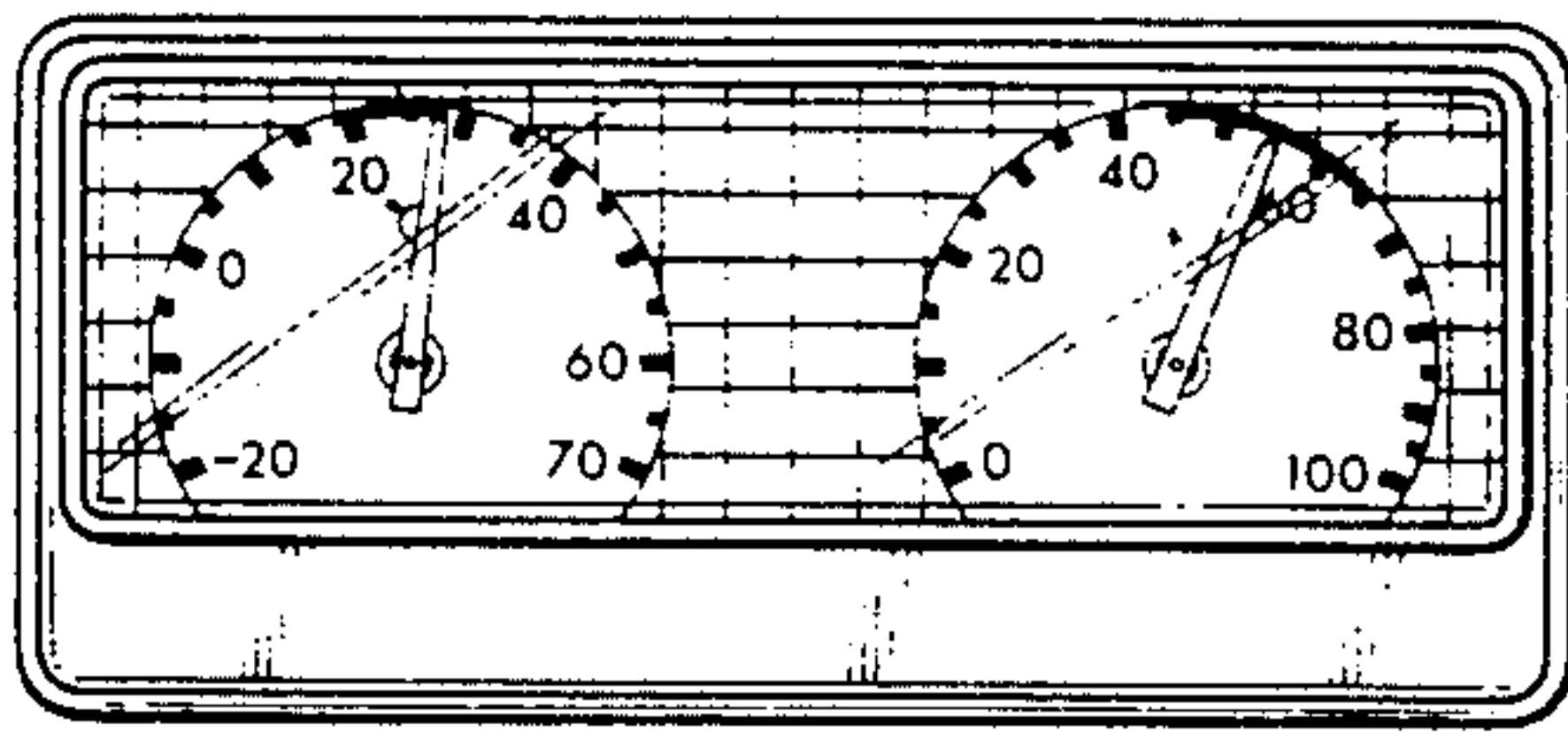


FIG. 3

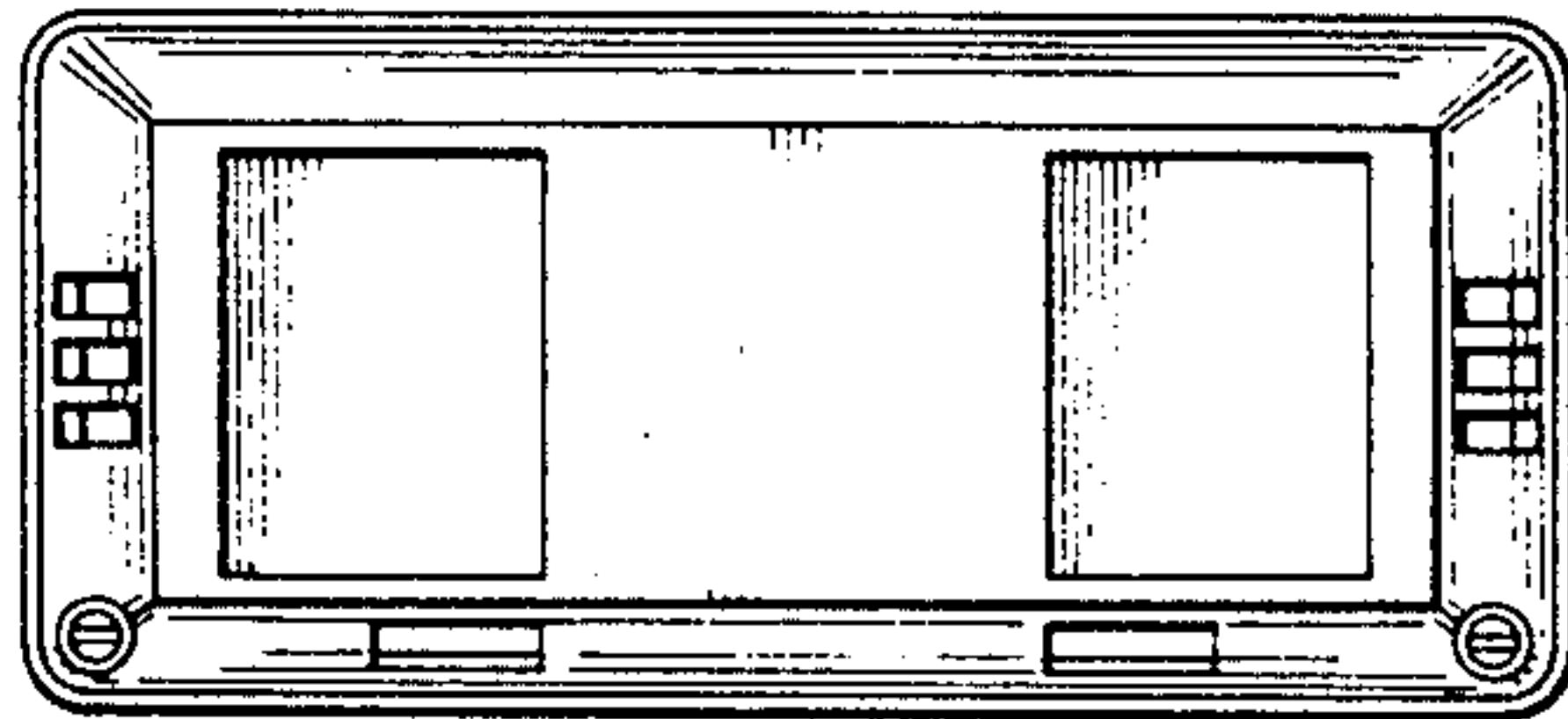


FIG. 4

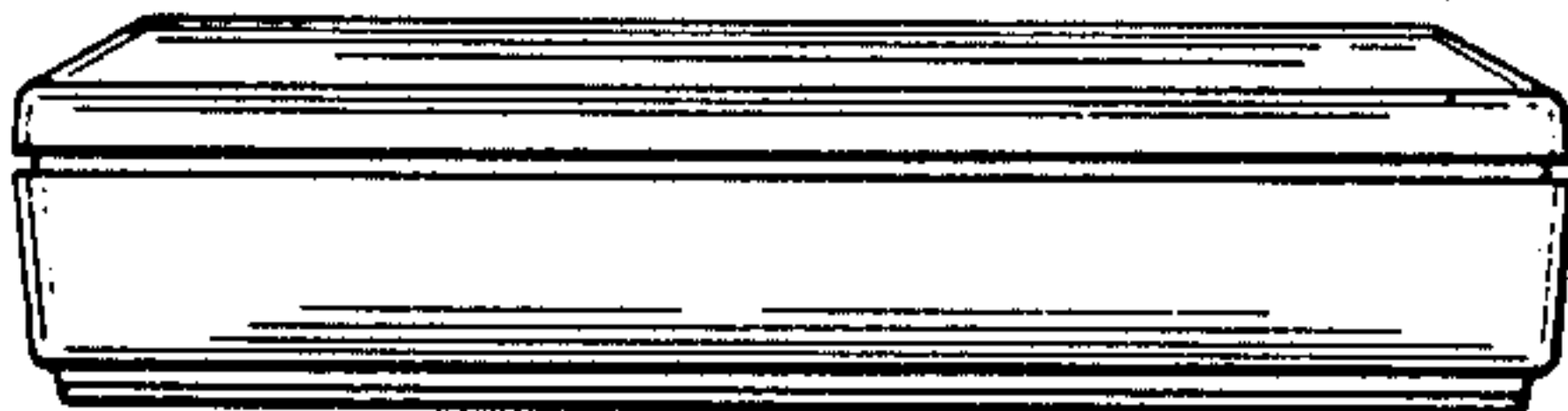


FIG. 5

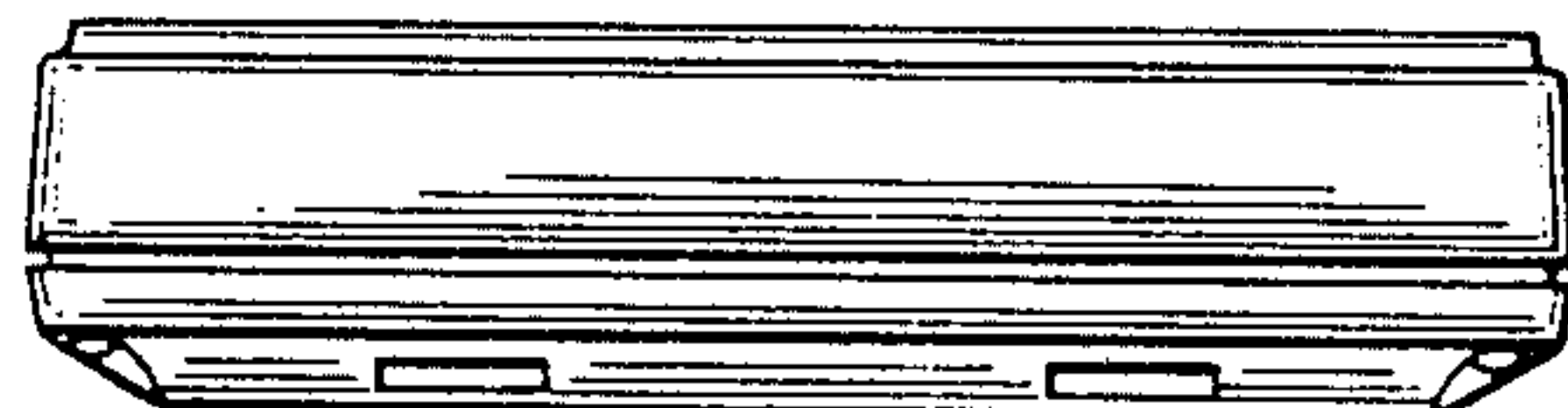


FIG. 6

