

[54] MIXER STAND

[75] Inventor: **Wilhelmus Gerardus E. Janssens,**  
Drachten, Netherlands

[73] Assignee: **U.S. Philips Corporation,** New York,  
N.Y.

[\*\*] Term: **14 Years**

[21] Appl. No.: **469,534**

[22] Filed: **Feb. 24, 1983**

[30] **Foreign Application Priority Data**

Sep. 2, 1982 [XBX] Benelux ..... 57123-00

[52] U.S. Cl. .... **D7/412; D7/376**

[58] Field of Search ..... **D7/386, 376, 378, 379,**  
**D7/384, 386, 412; 241/92; 366/292, 279**

[56] **References Cited**

**U.S. PATENT DOCUMENTS**

D. 189,308 11/1960 Willman ..... D7/379

D. 189,936 3/1961 Grange ..... D7/379

D. 242,109 11/1976 DaSilva, Jr. .... D7/379

D. 254,949 5/1980 Besford ..... D7/379

D. 256,319 8/1980 Ernest et al. .... D7/412

2,632,635 3/1953 Van Guilder ..... 366/292 X

3,875,423 4/1975 Kemper ..... D7/379 X

**OTHER PUBLICATIONS**

Design, p. 146, Feb. 1961, Mixer.

*Primary Examiner*—Bernard Ansher

*Assistant Examiner*—Linda Titolo

*Attorney, Agent, or Firm*—Rolf E. Schneider

[57] **CLAIM**

The ornamental design for a mixer stand, as shown.

**DESCRIPTION**

FIG. 1 is a front, top and right side perspective view of a mixer stand showing my new design;

FIG. 2 is a right side elevational view thereof;

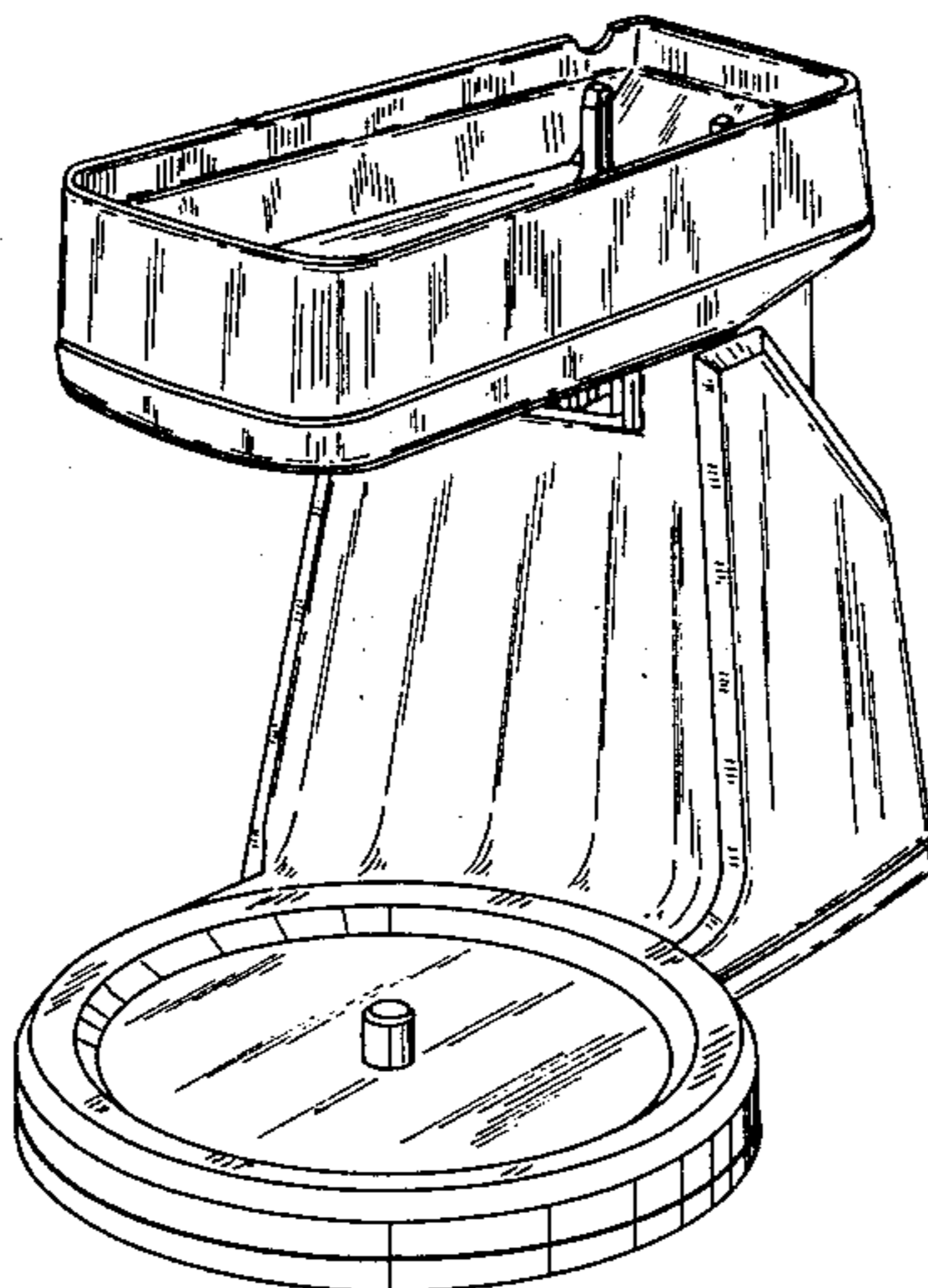
FIG. 3 is a left side elevational view thereof;

FIG. 4 is a front elevational view thereof;

FIG. 5 is a rear elevational view thereof;

FIG. 6 is a top plan view thereof; and

FIG. 7 is a bottom plan view thereof.



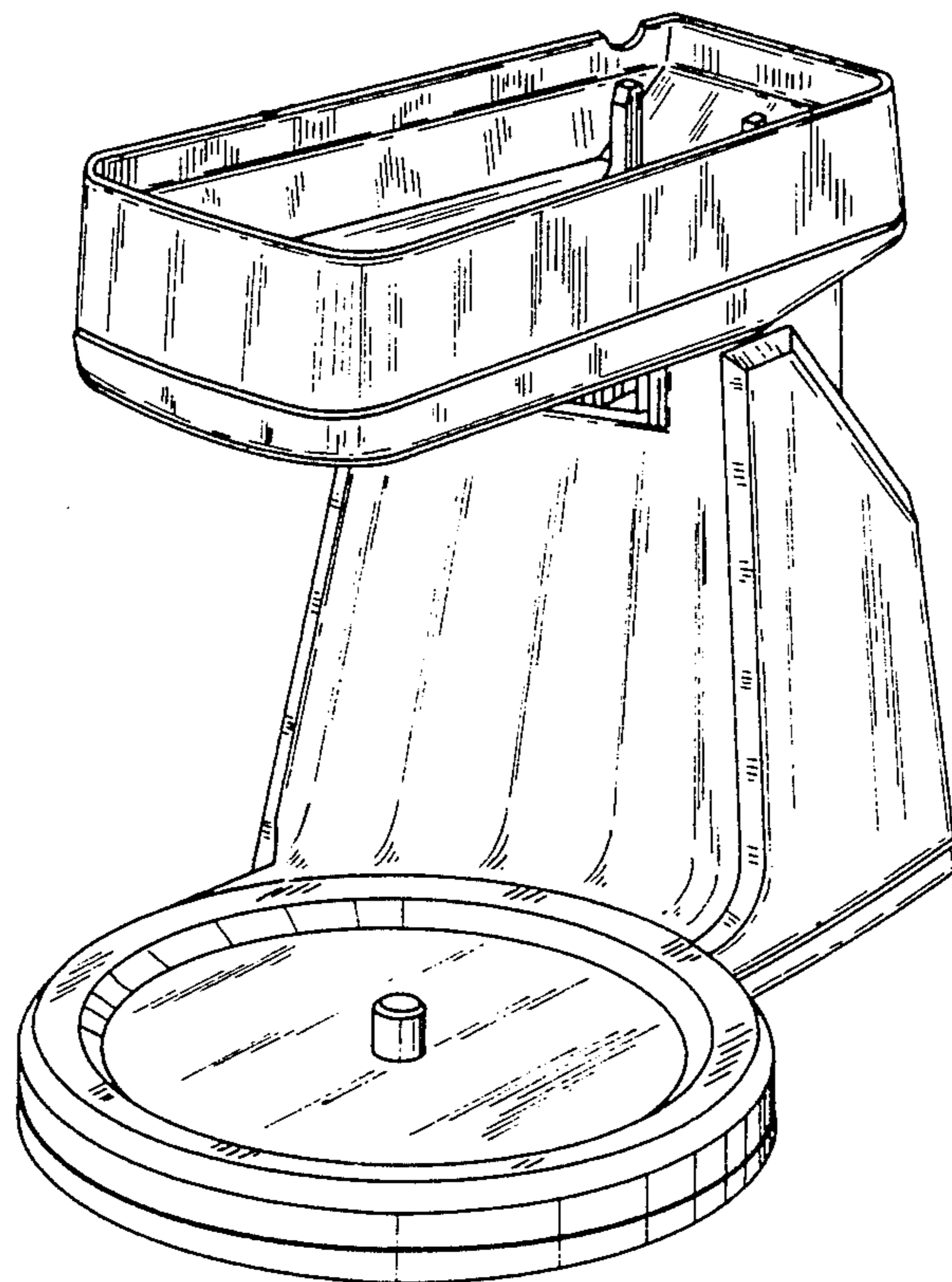
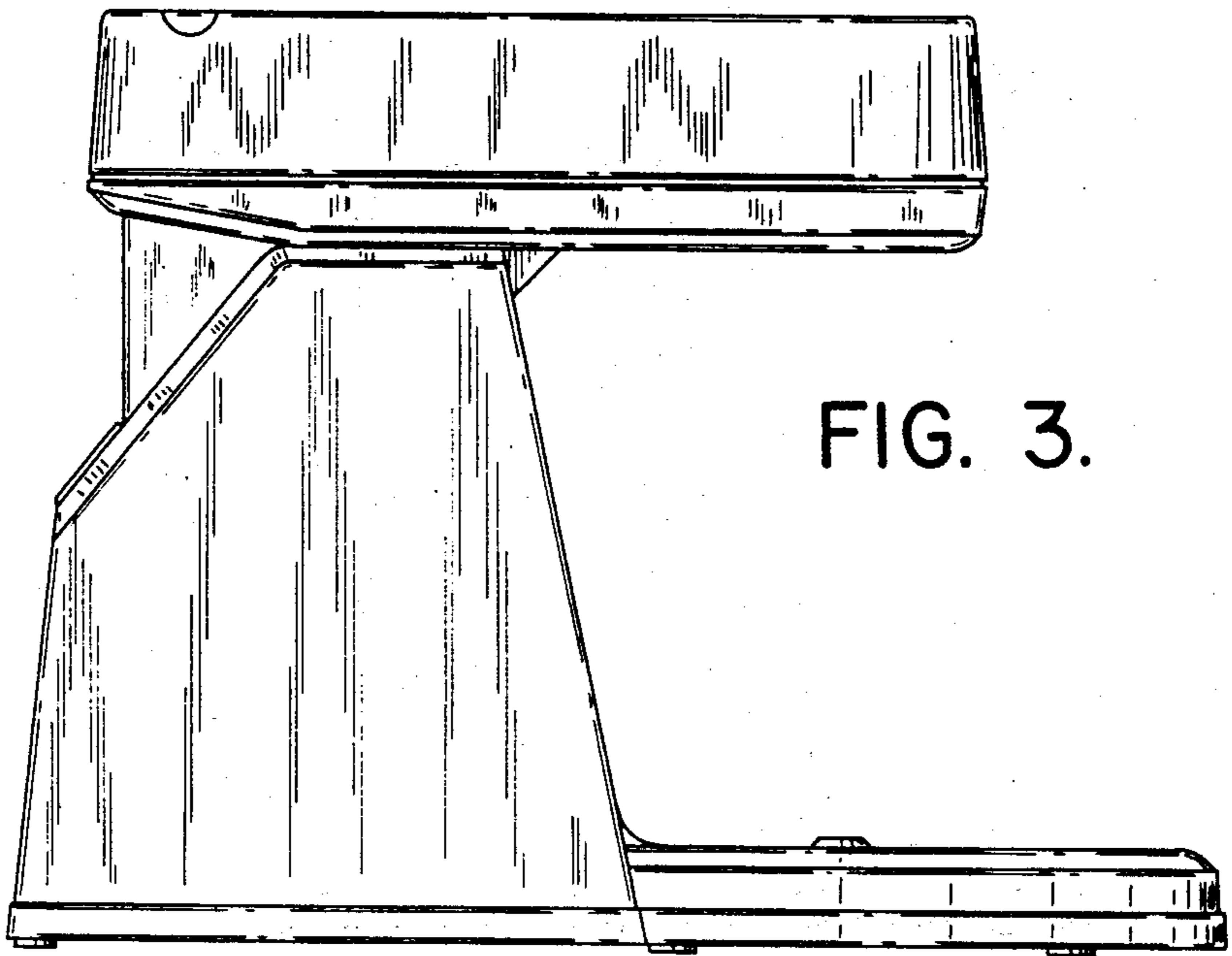
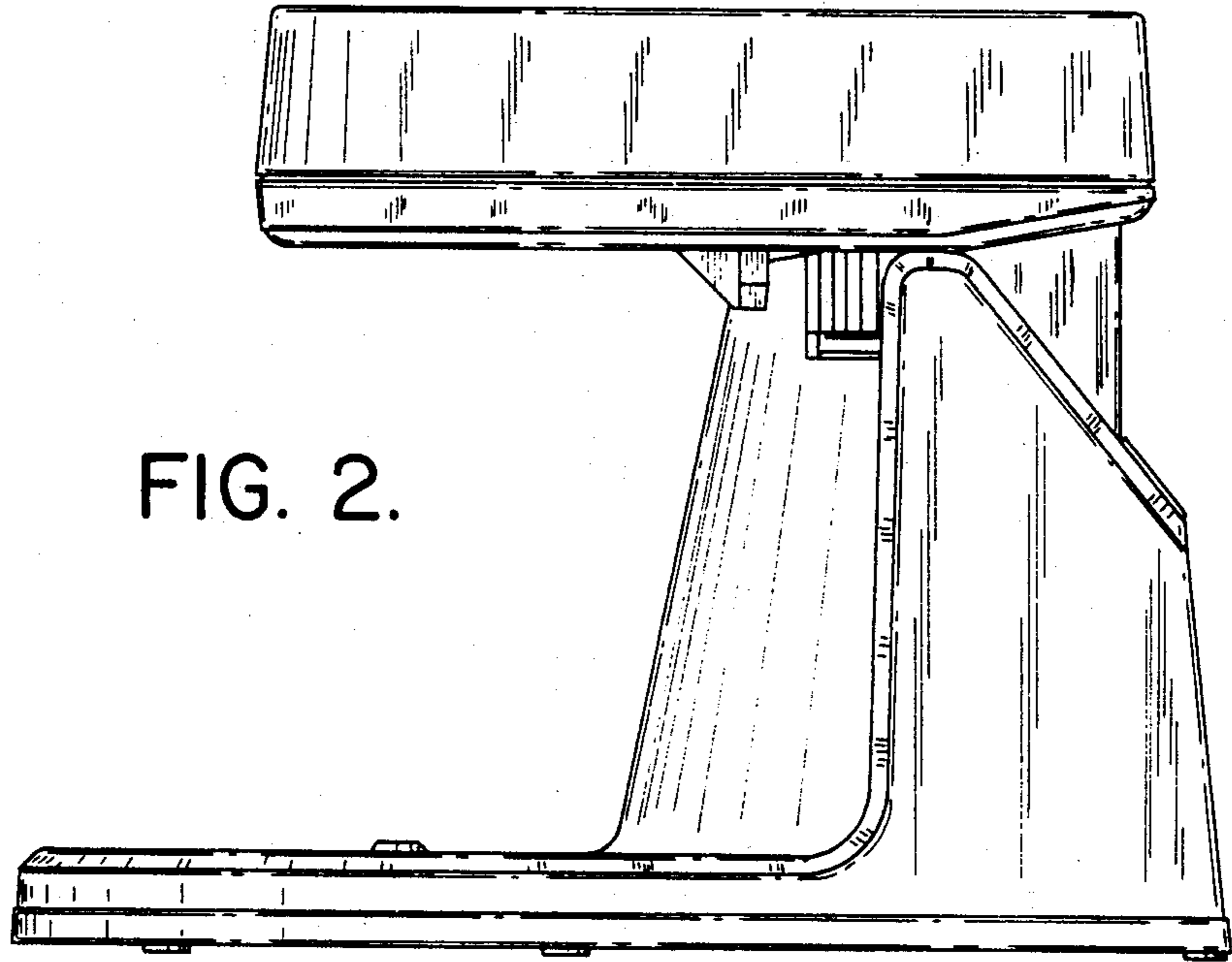


FIG. 1.



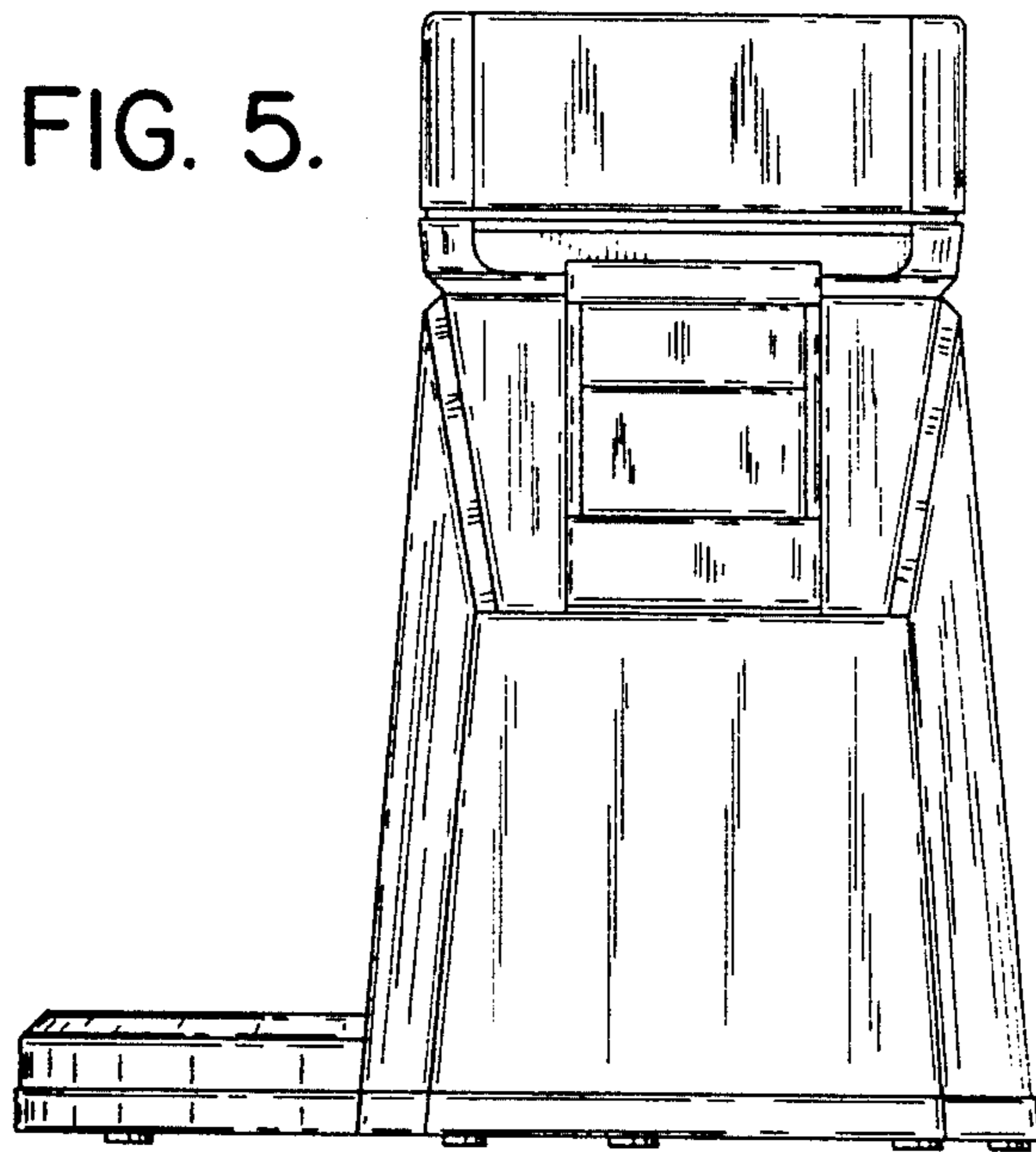
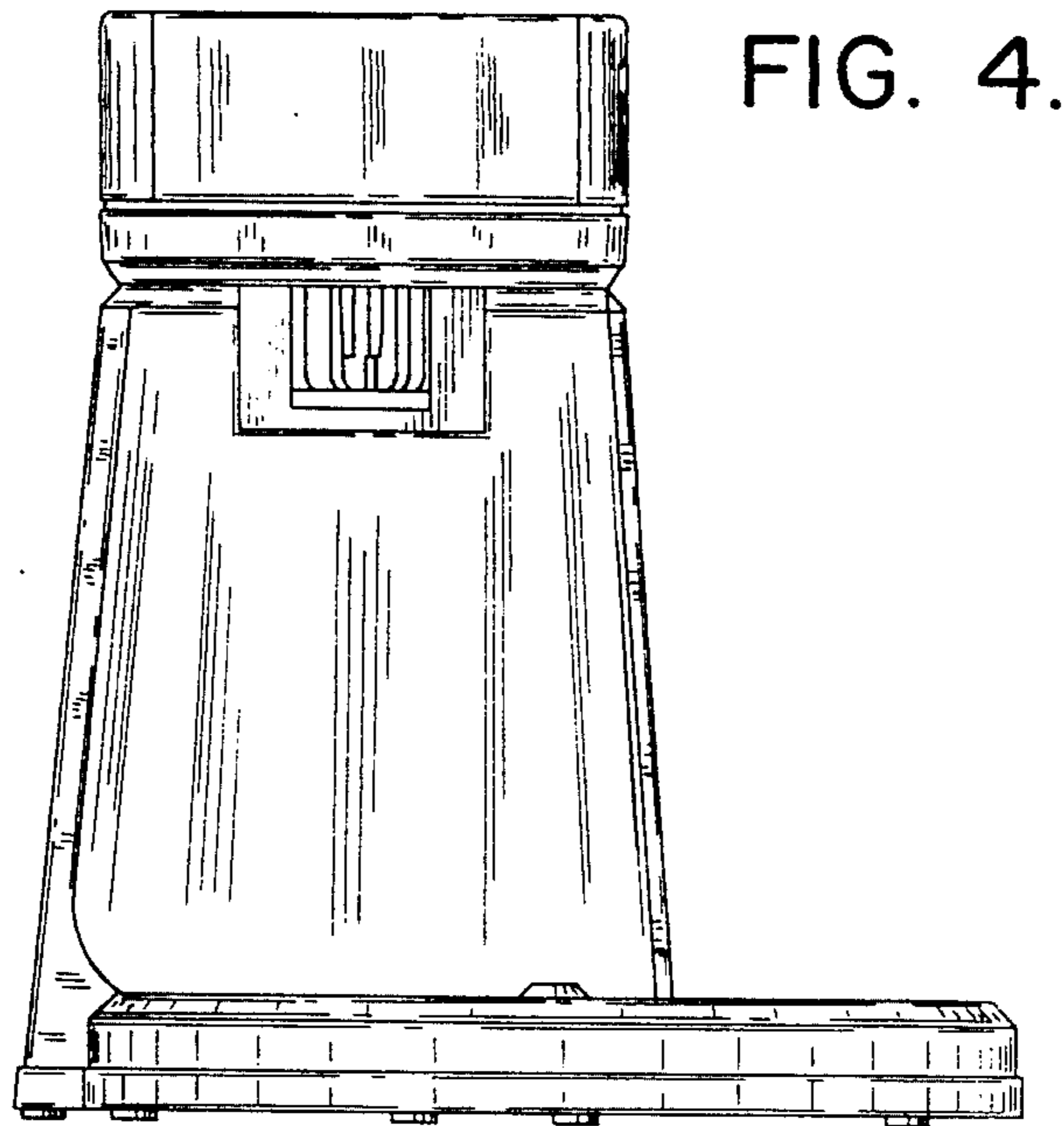


FIG. 6.

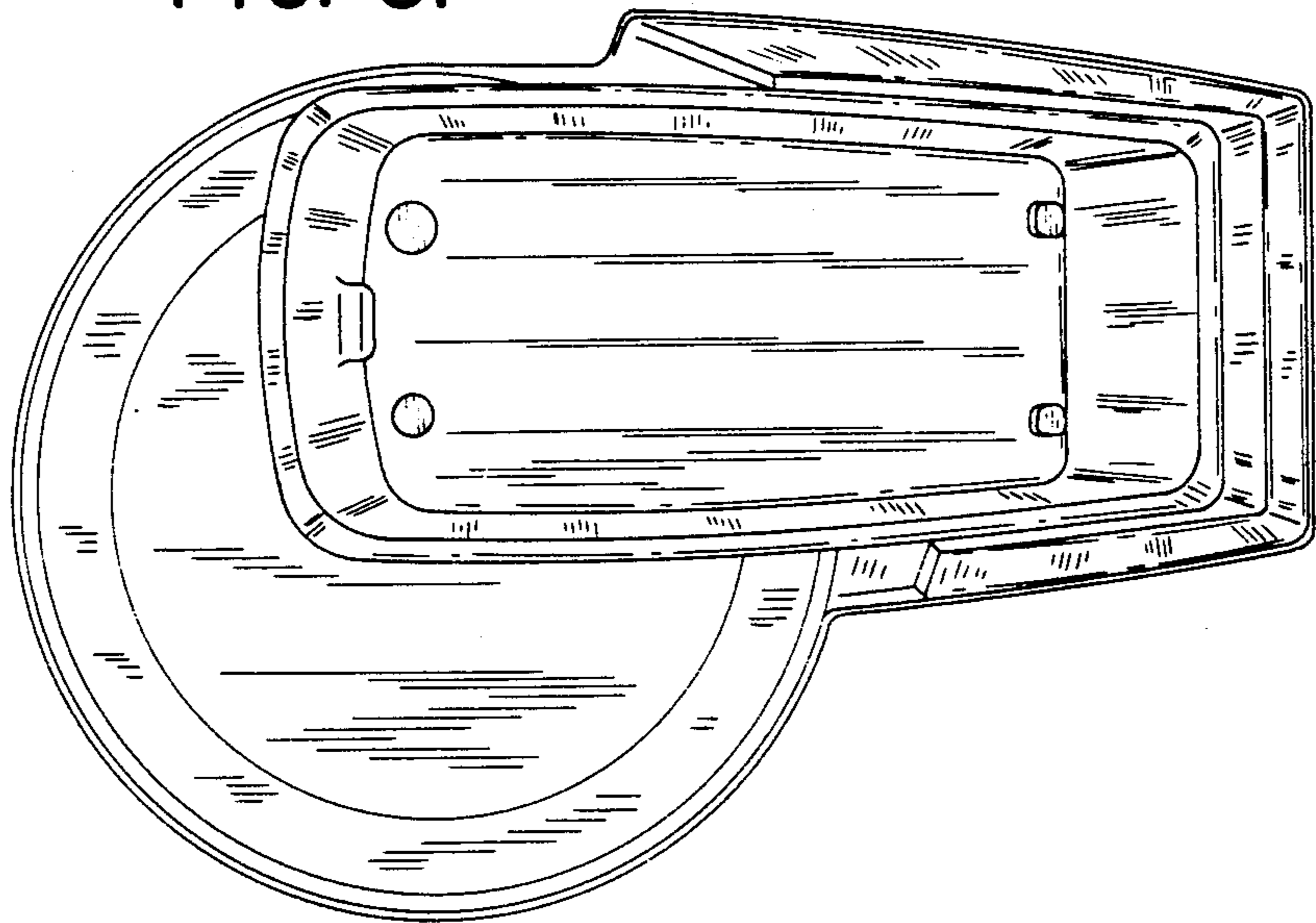


FIG. 7.

