

[54] FOOD STEAMER

[75] Inventors: Dye O. Miller, Mount Prospect; August J. Antunes, Elmhurst; Jerome Antunes, Clarendon Hills, all of Ill.

[73] Assignee: A. J. Antunes & Company, Addison, Ill.

[**] Term: 14 Years

[21] Appl. No.: 447,494

[22] Filed: Dec. 6, 1982

[52] U.S. Cl. D7/361

[58] Field of Search D7/361, 328, 329, 347, D7/350, 354; 99/467, 483; 126/369, 369.1, 369.2, 377, 378, 379

[56] References Cited

U.S. PATENT DOCUMENTS

- D. 241,158 8/1976 Schwerzeler et al. D7/347
- D. 270,989 10/1983 Bratton et al. D7/350
- 308,116 11/1884 Webb 126/369

- 2,031,995 2/1936 Yost D7/354 X
- 2,573,772 11/1951 Nysten 99/467
- 3,682,664 8/1972 Bennett 126/369 X
- 3,735,749 5/1973 Binks et al. 99/483 X
- 3,794,016 2/1974 Binks et al. 126/369

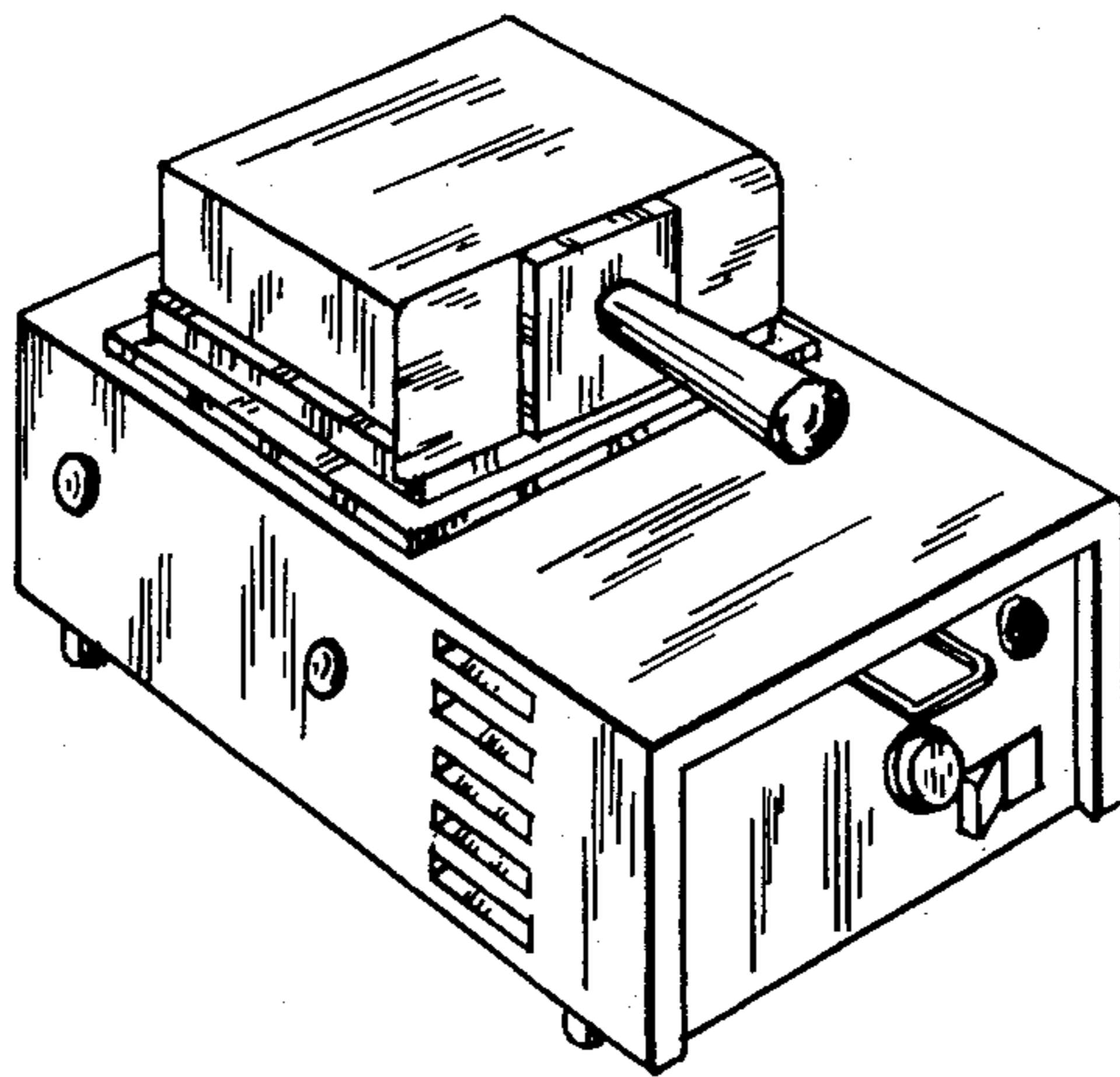
Primary Examiner—Bernard Ansher
Assistant Examiner—Linda Titolo
Attorney, Agent, or Firm—McDermott, Will & Emery

[57] CLAIM

The ornamental design for a food steamer, substantially as shown.

DESCRIPTION

FIG. 1 is a front top perspective view of a food steamer showing our new design; FIG. 2 is a front elevation view thereof; FIG. 3 is a rear elevation view thereof; FIG. 4 is a right elevation view thereof, the opposite side of which is a mirror image thereof; FIG. 5 is a top plan view thereof; and FIG. 6 is a bottom plan view thereof.



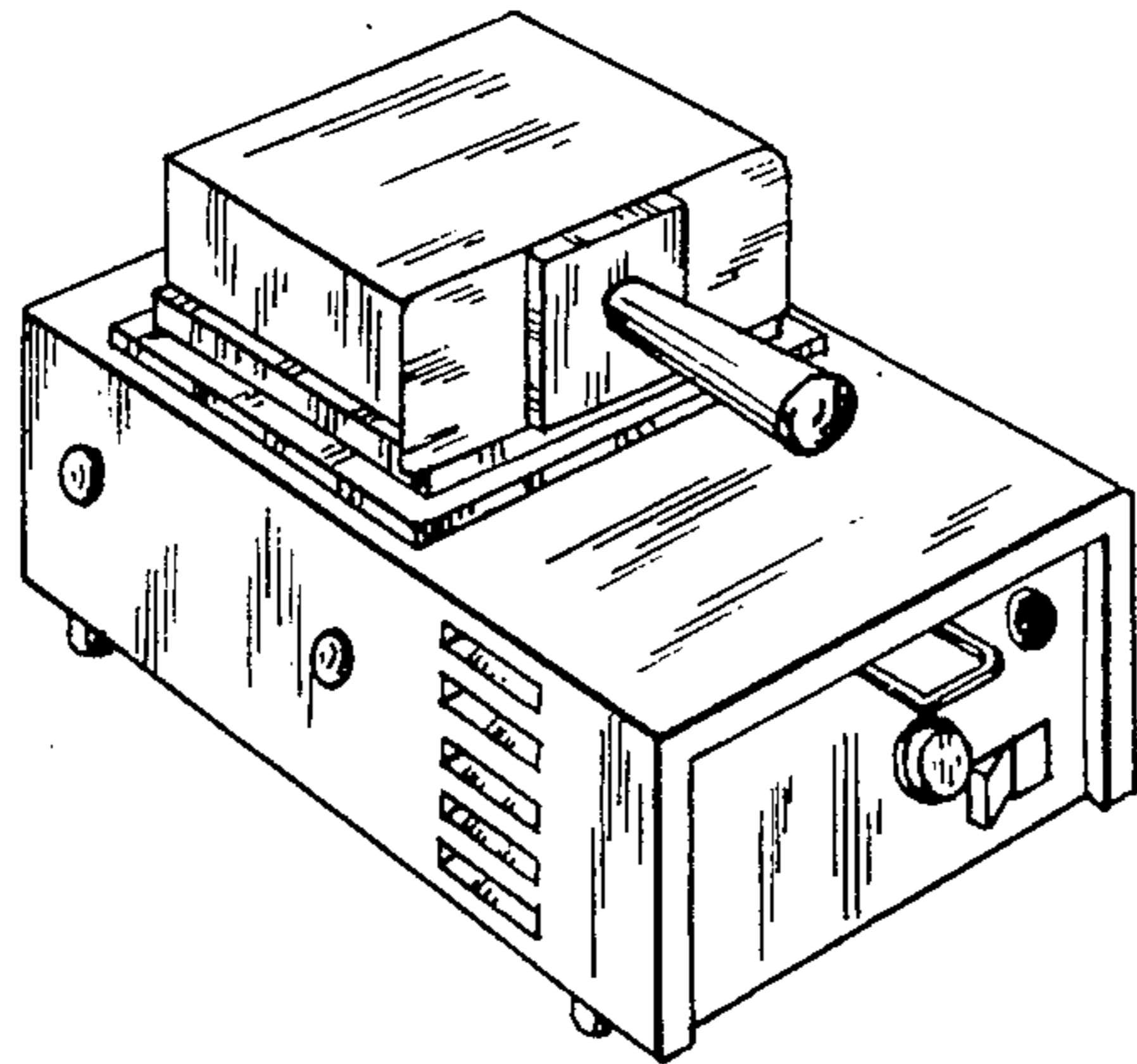


FIG. 1

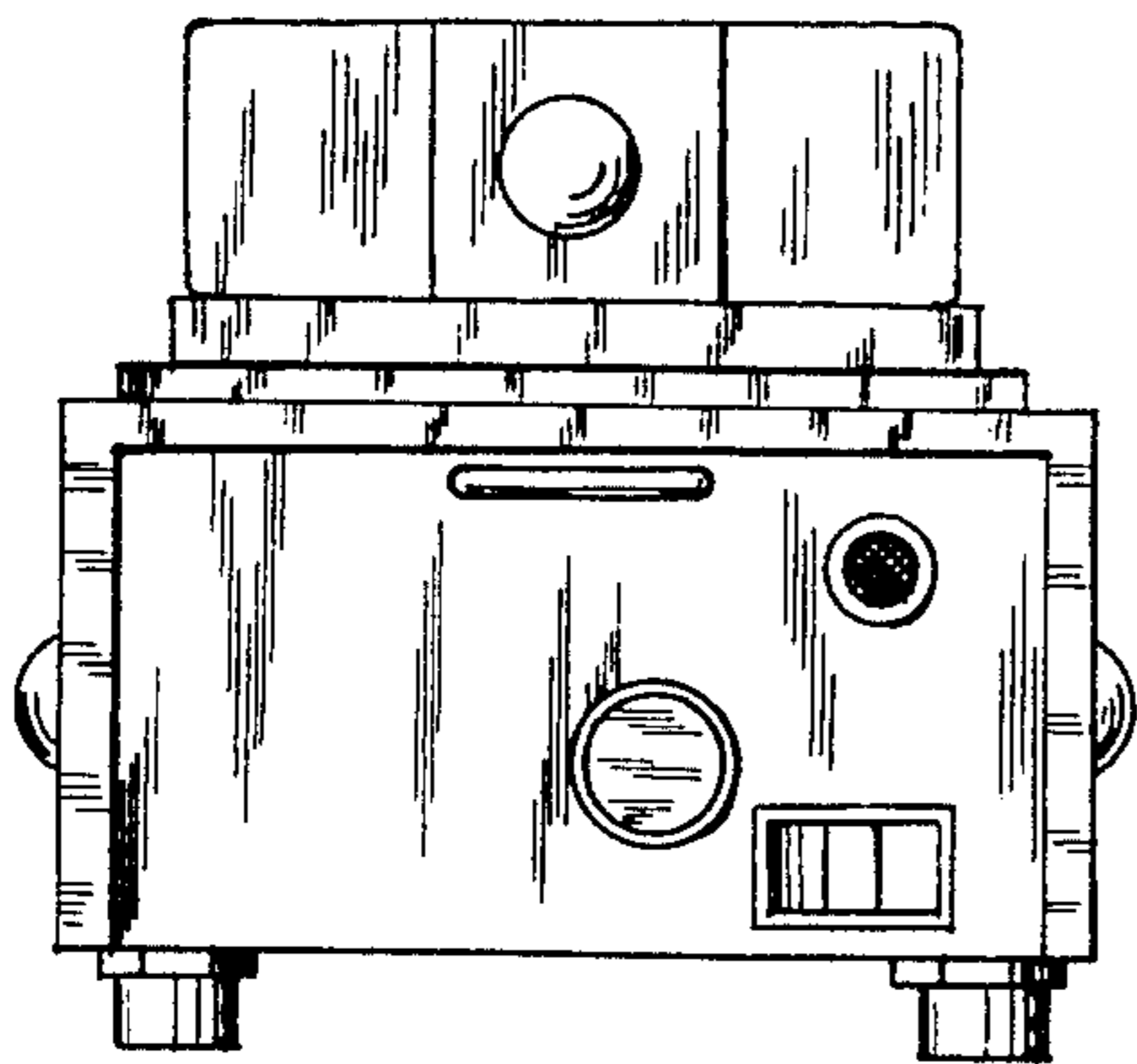


FIG. 2

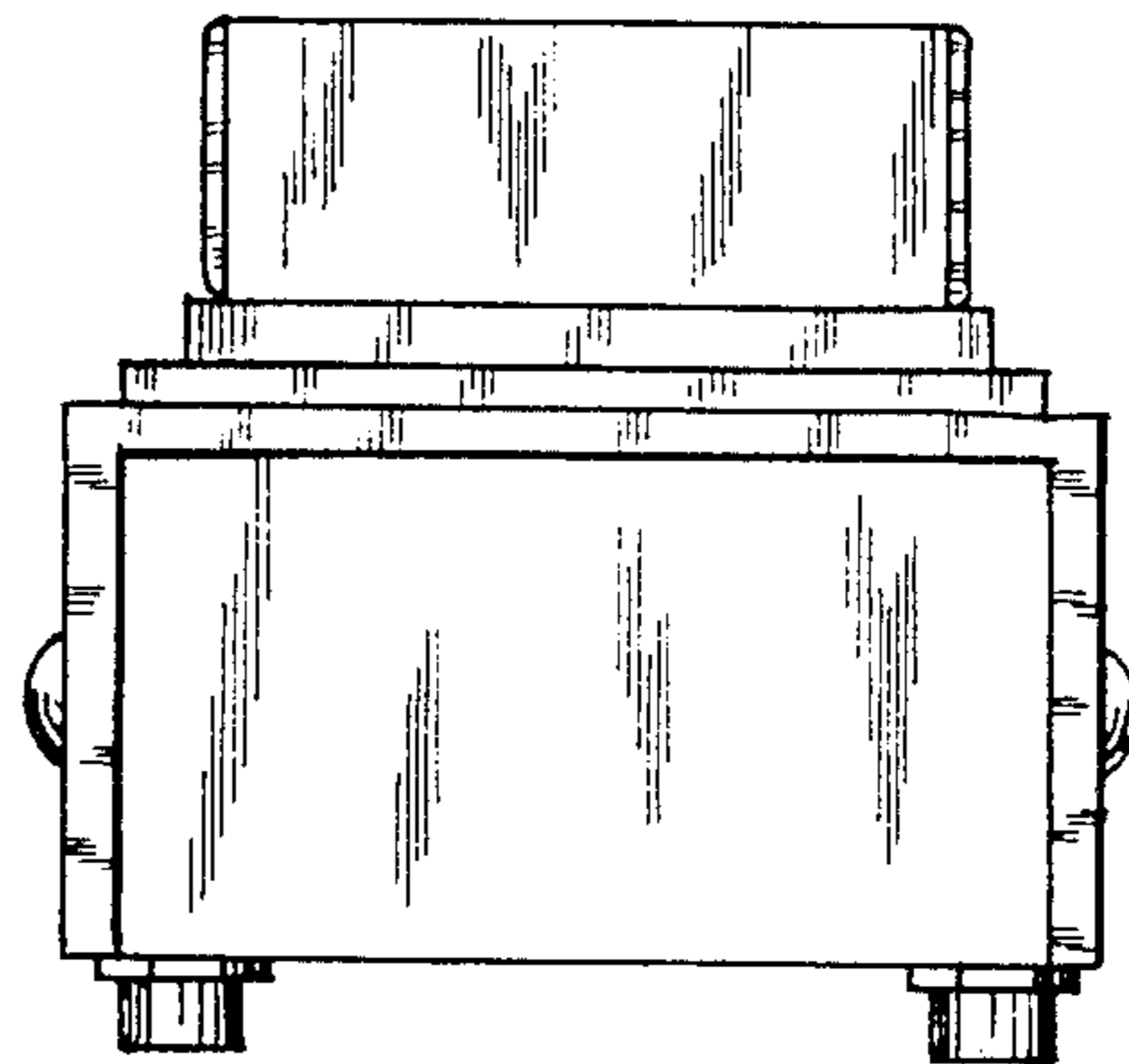


FIG. 3

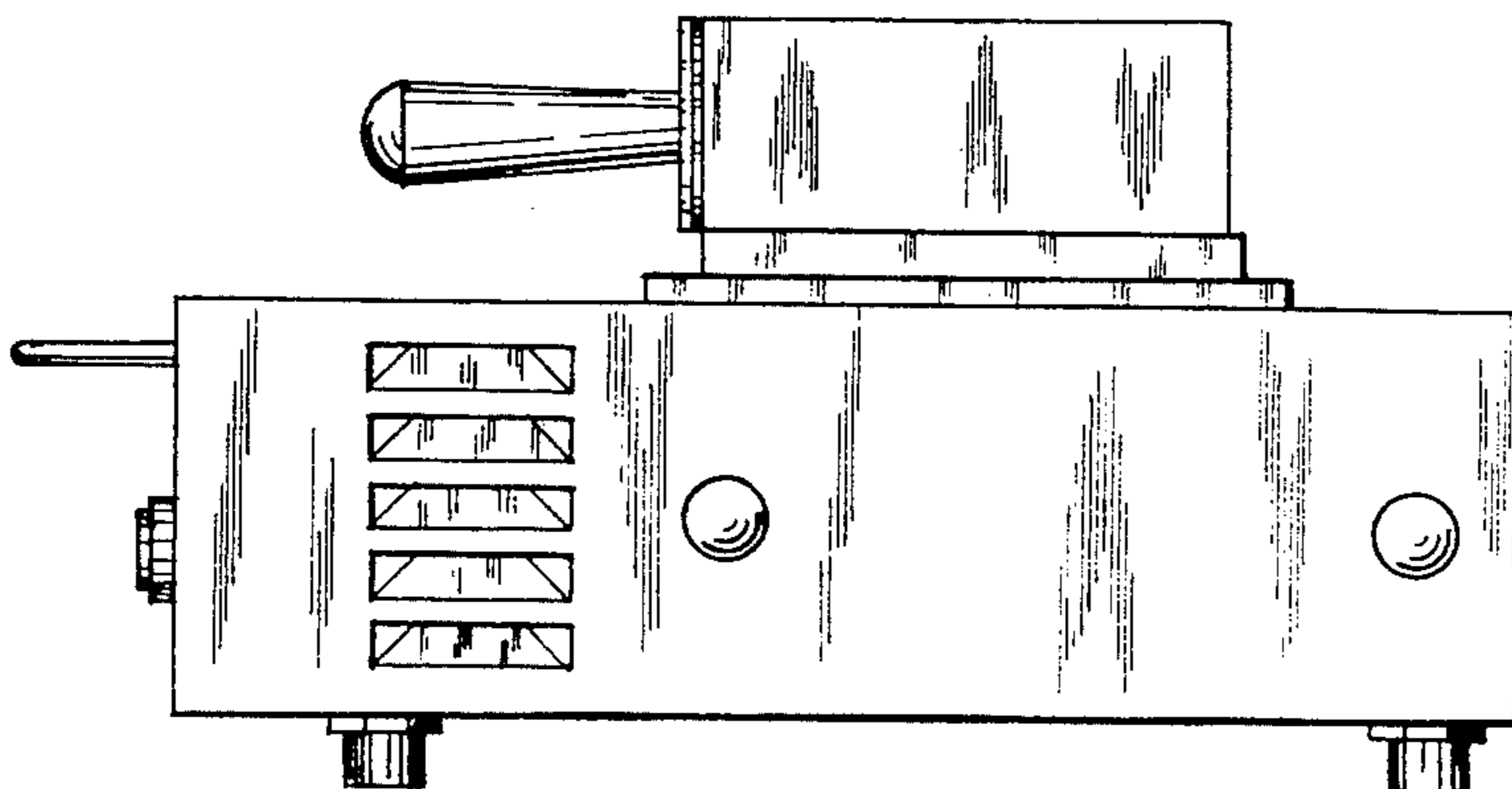


FIG. 4

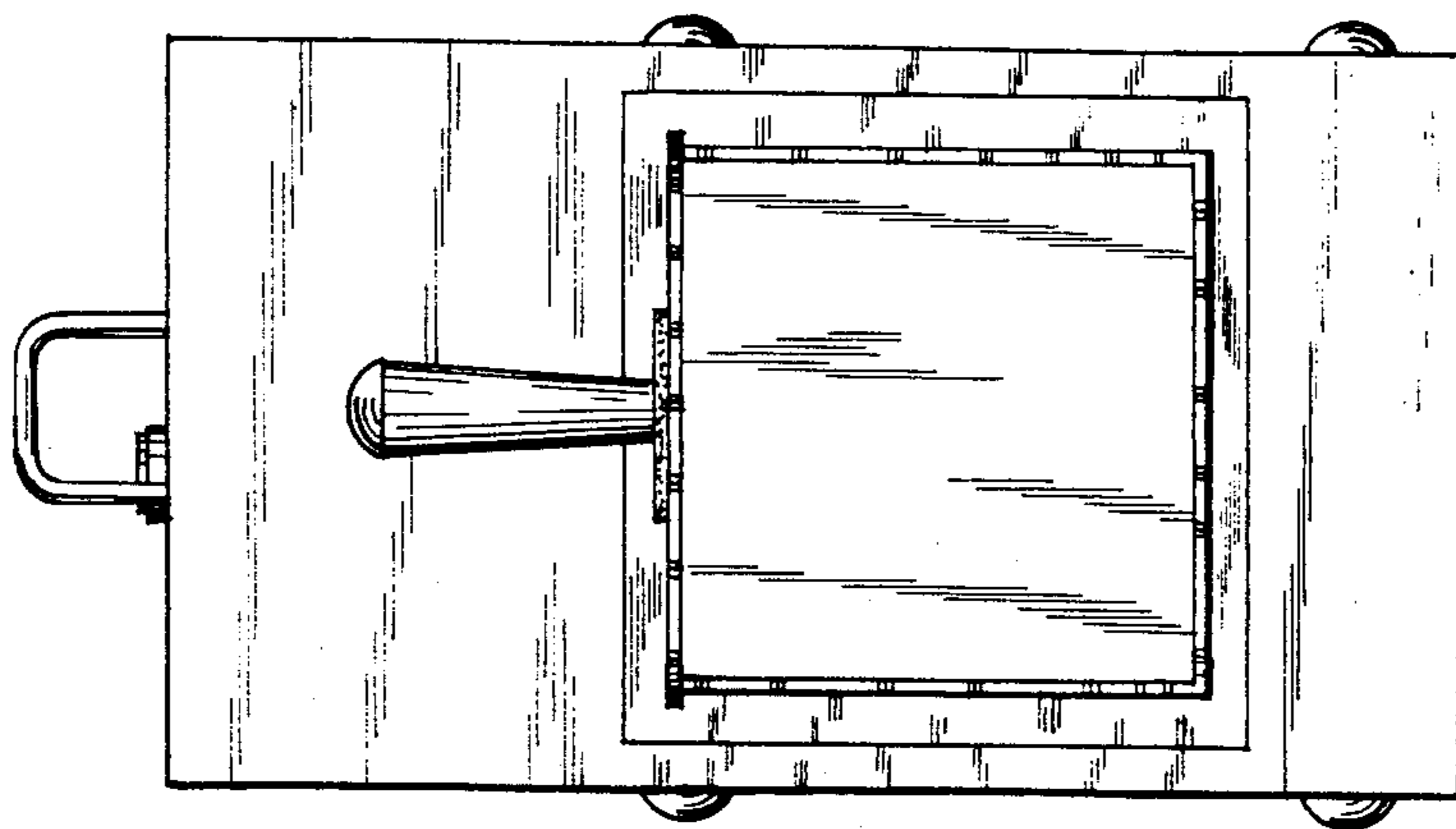


FIG. 5

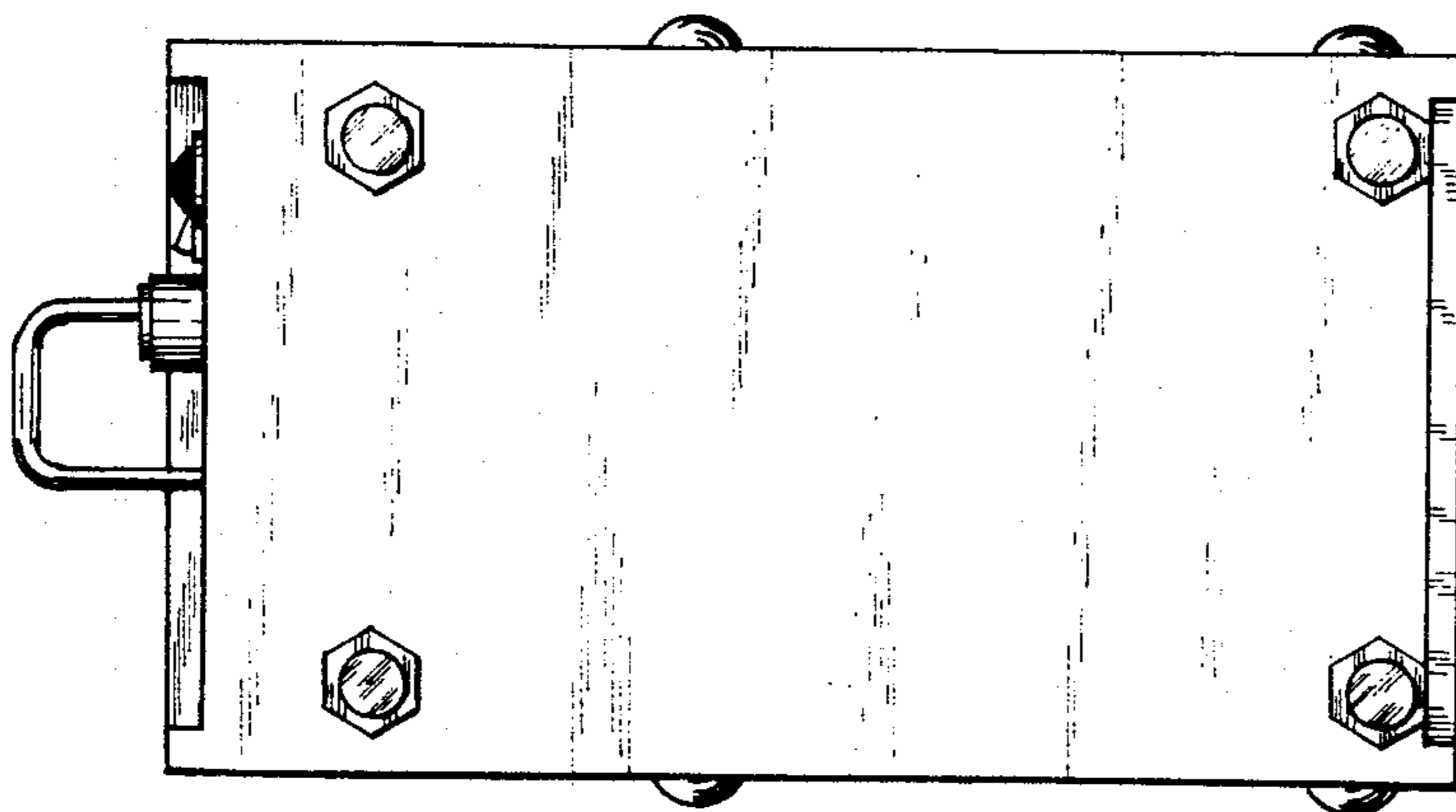


FIG. 6