

United States Patent [19]

Brooker et al.

[11] Patent Number: Des. 279,850

[45] Date of Patent: ** Jul. 30, 1985

[54] COMBINED CUP AND COASTER BASE

[75] Inventors: John H. Brooker; Herbert A. Brooker, both of Scarborough, Canada

[73] Assignee: Bertwood Marketing Inc., Ontario, Canada

[**] Term: 14 Years

[21] Appl. No.: 449,862

[22] Filed: Dec. 15, 1982

[30] Foreign Application Priority Data

Jun. 23, 1982 [CA] Canada 23-06-82-3

[52] U.S. Cl. D7/3; D7/9; D7/40; D7/45

[58] Field of Search D7/9, 3, 6, 10, 11, D7/40, 45; 220/23.83, 23.86, 90.4; 248/346.1; 215/100.5

[56] References Cited

U.S. PATENT DOCUMENTS

D. 221,676 8/1971 Ludder D7/9
D. 227,135 6/1973 Davis et al. D7/9
D. 247,839 5/1978 Ashton D7/3
1,730,698 10/1929 Wagner, Jr. 248/346.1

3,421,681 1/1969 Frank 220/90.4 X
4,366,914 1/1983 Ingram 220/90.4 X

OTHER PUBLICATIONS

Libbey Catalog, 1973, p. 49, Melamine Coffee Cup, top, left photo.

Primary Examiner—Bernard Ansher
Assistant Examiner—Terry Pfeffer
Attorney, Agent, or Firm—Robert Scobey

[57] CLAIM

The ornamental design for a combined cup and coaster base, as shown.

DESCRIPTION

FIG. 1 is a top, front, right side exploded perspective view of a combined cup and coaster base showing our new design;

FIG. 2 is a bottom, rear, left side exploded perspective view thereof;

FIG. 3 is a top plan view thereof;

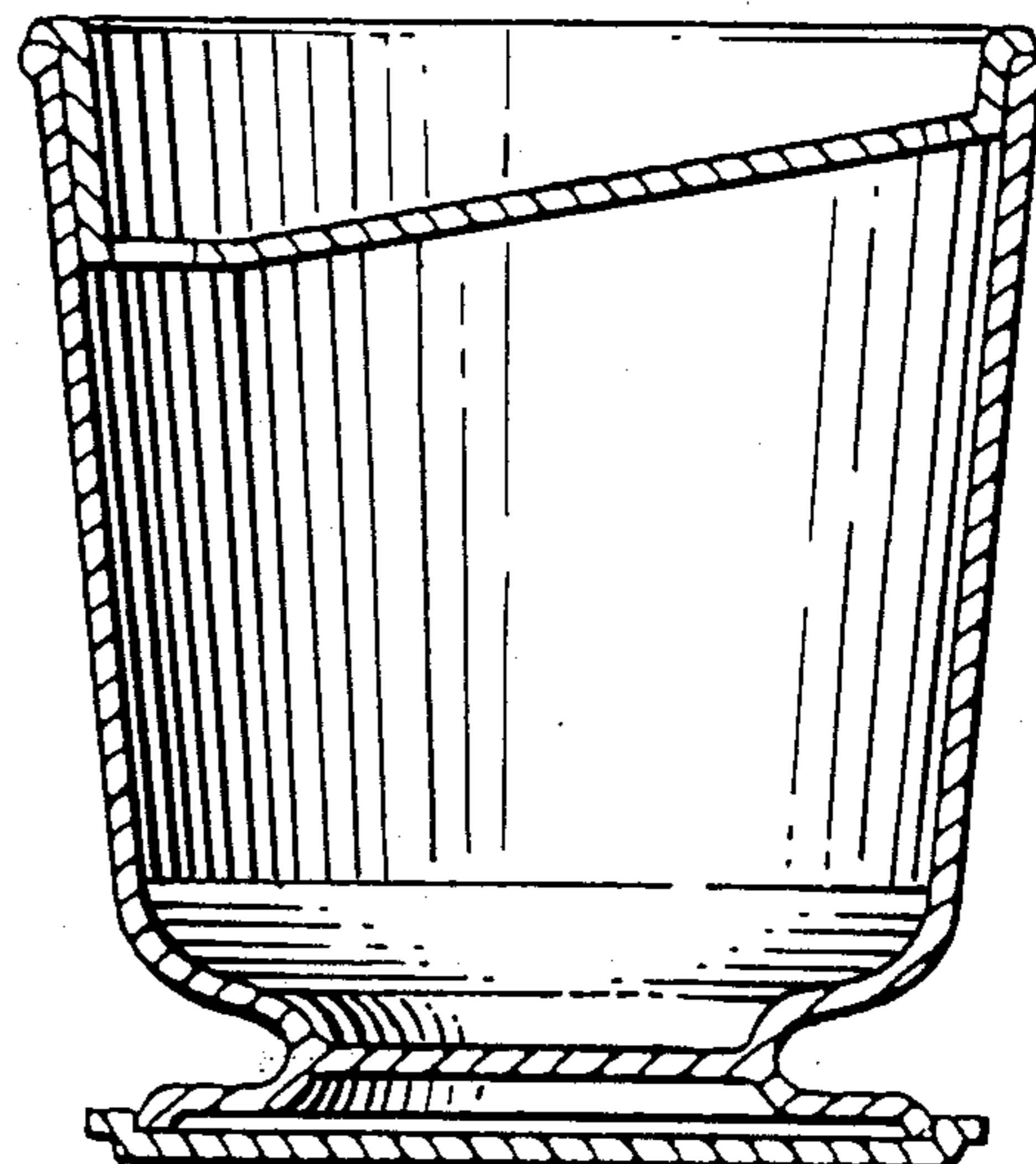
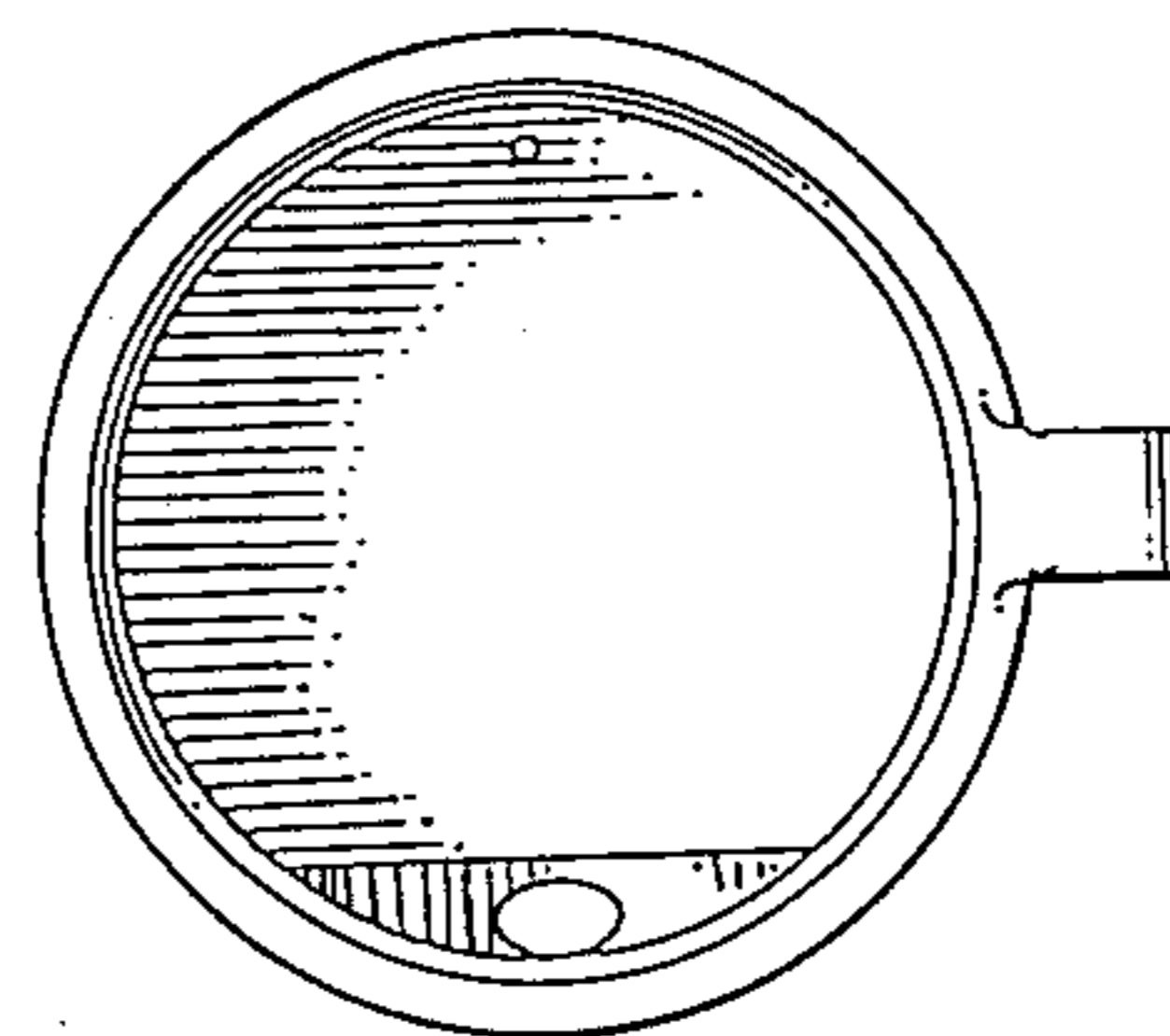
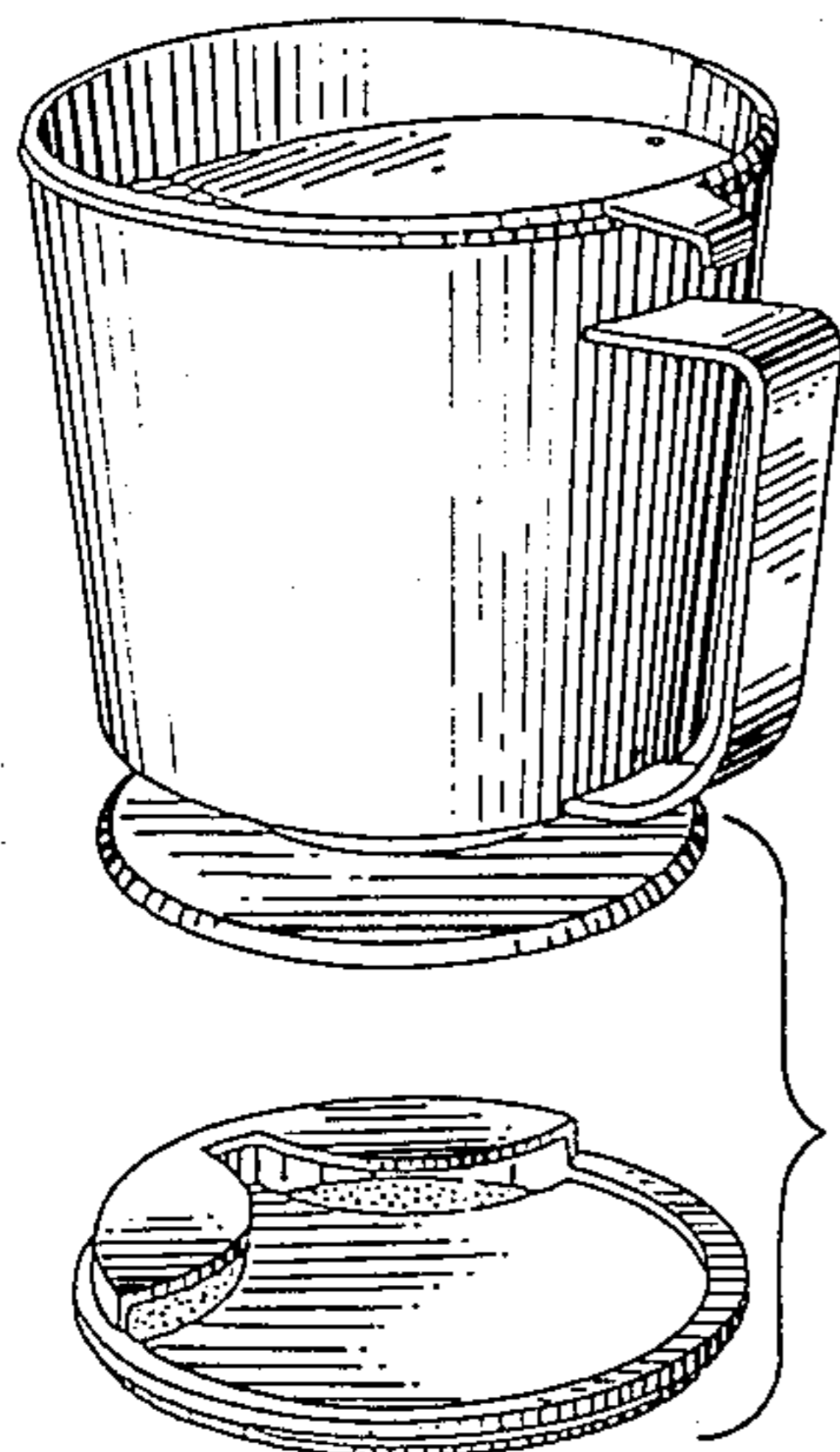
FIG. 4 is a front elevation thereof;

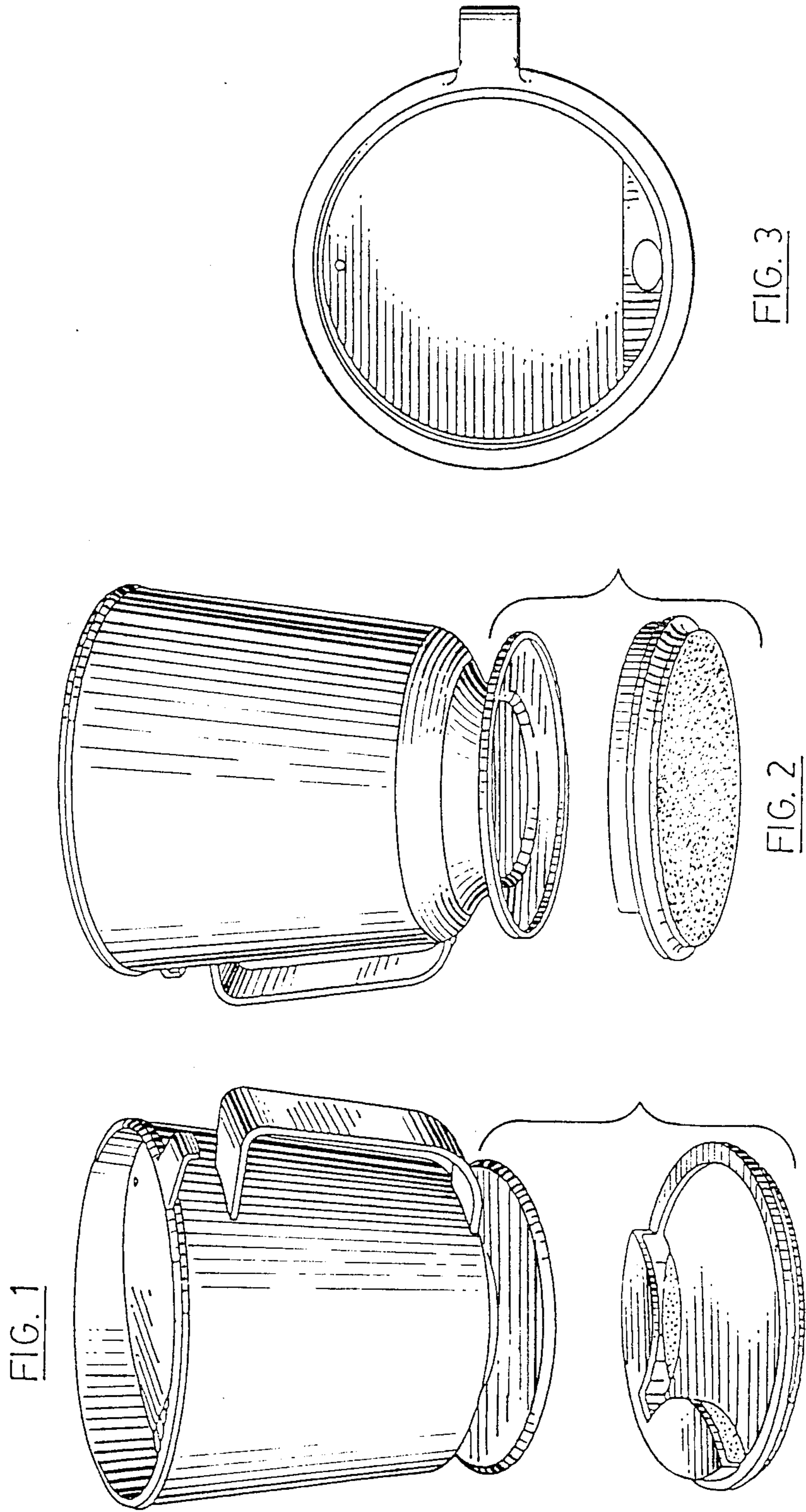
FIG. 5 is a left side elevation thereof;

FIG. 6 is a right side elevation thereof;

FIG. 7 is a cross-section taken along line 7—7 of FIG. 8; and

FIG. 8 is a bottom plan view thereof.





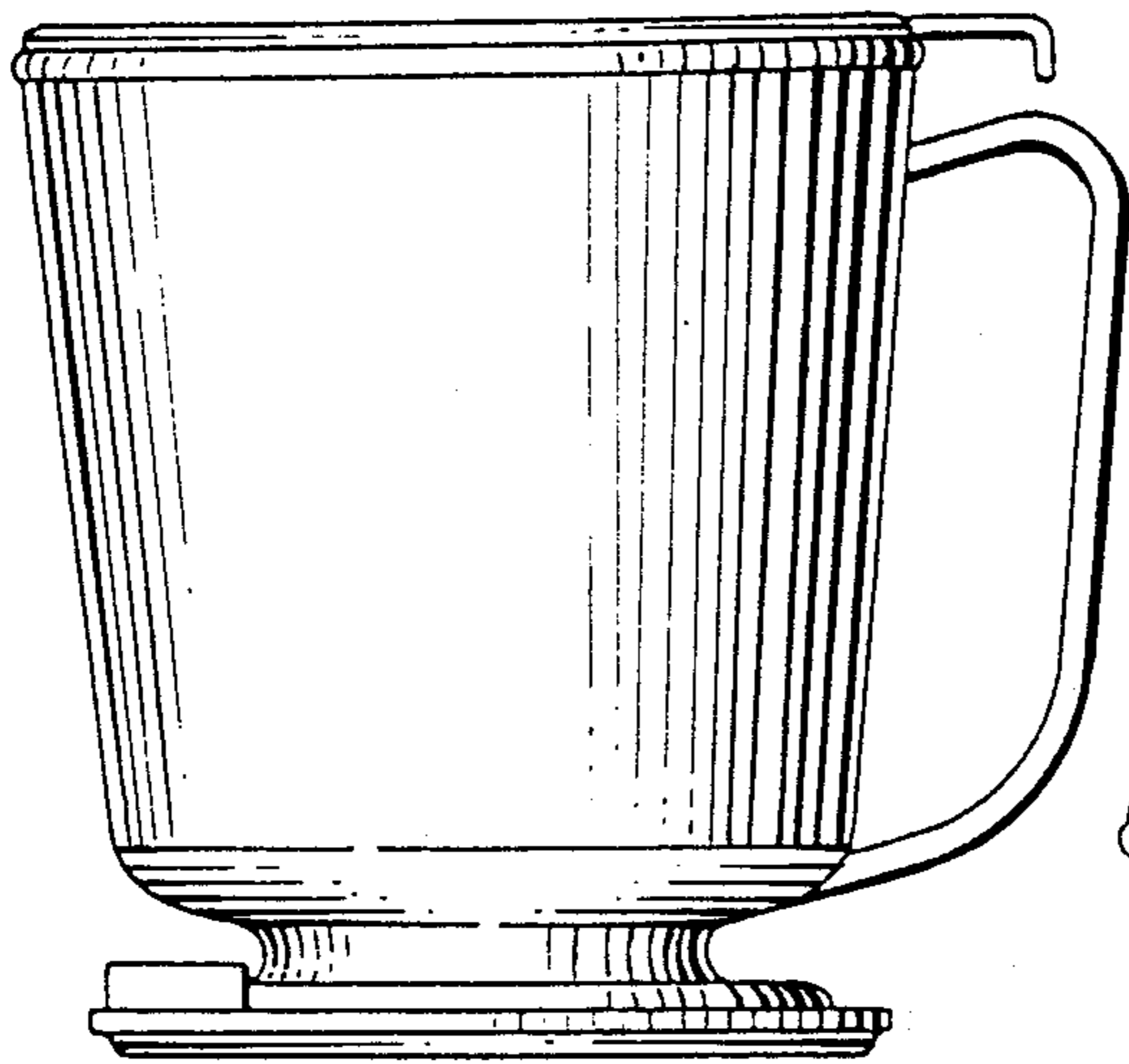


FIG. 4

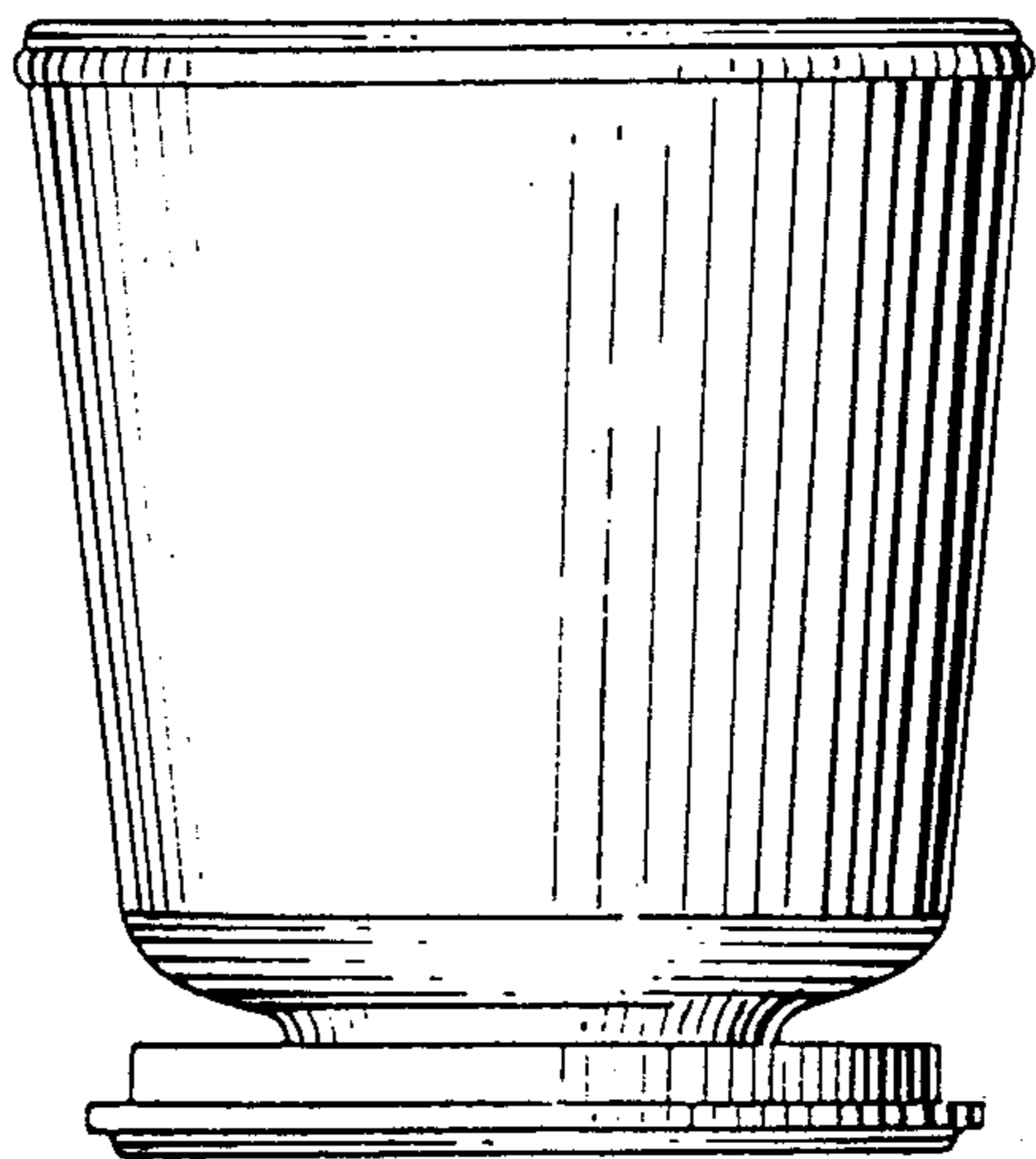


FIG. 5

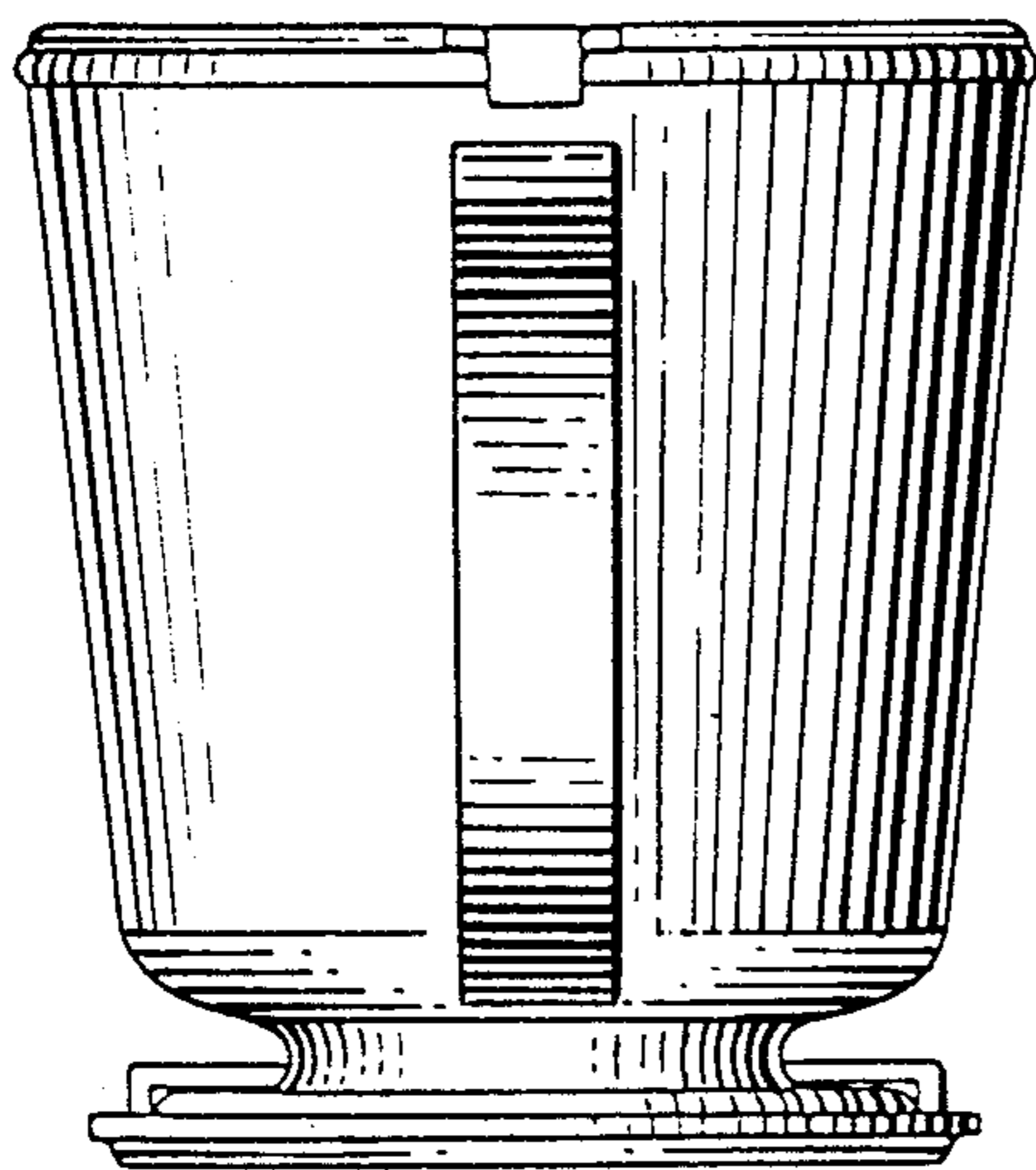


FIG. 6

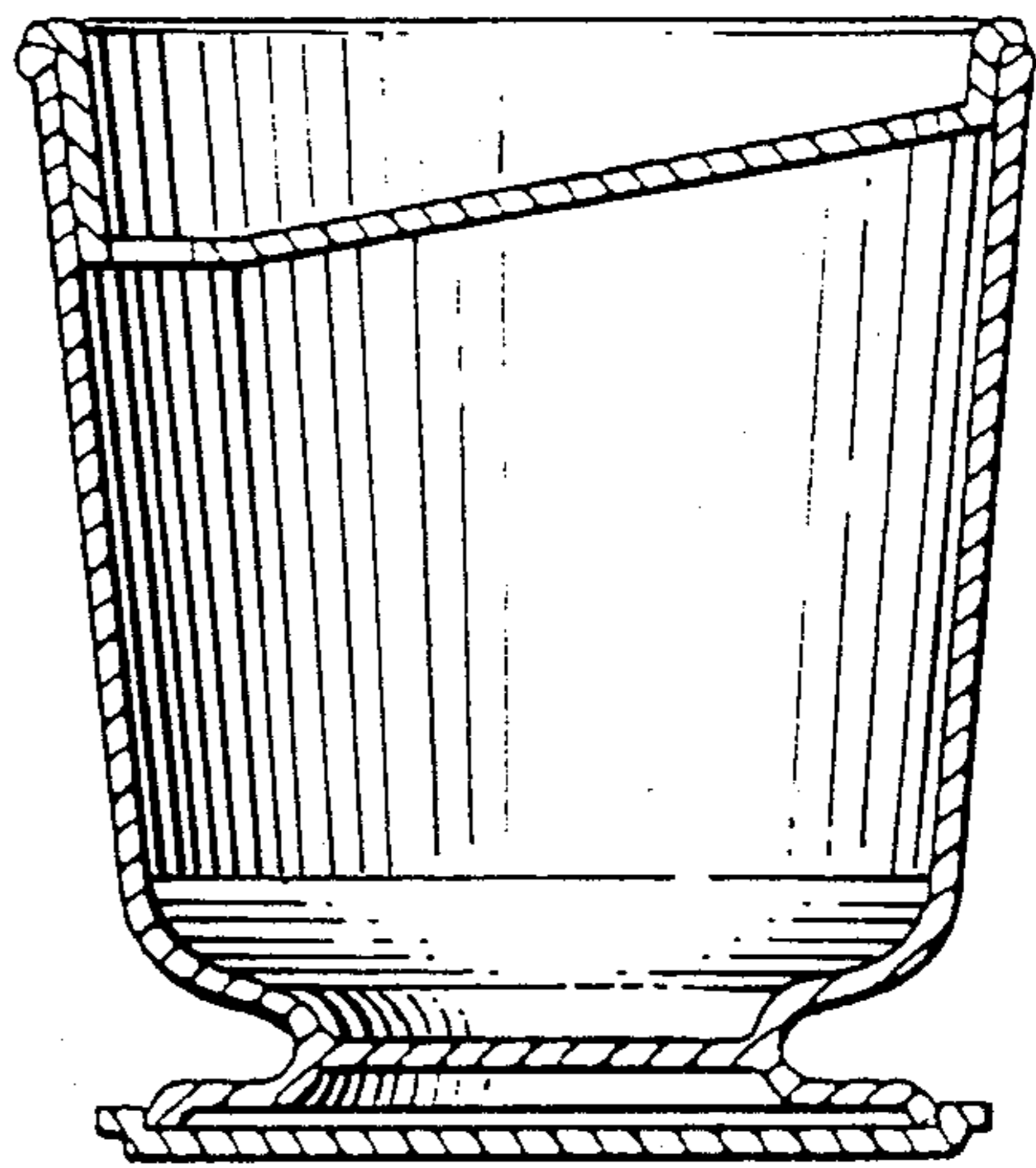


FIG. 7

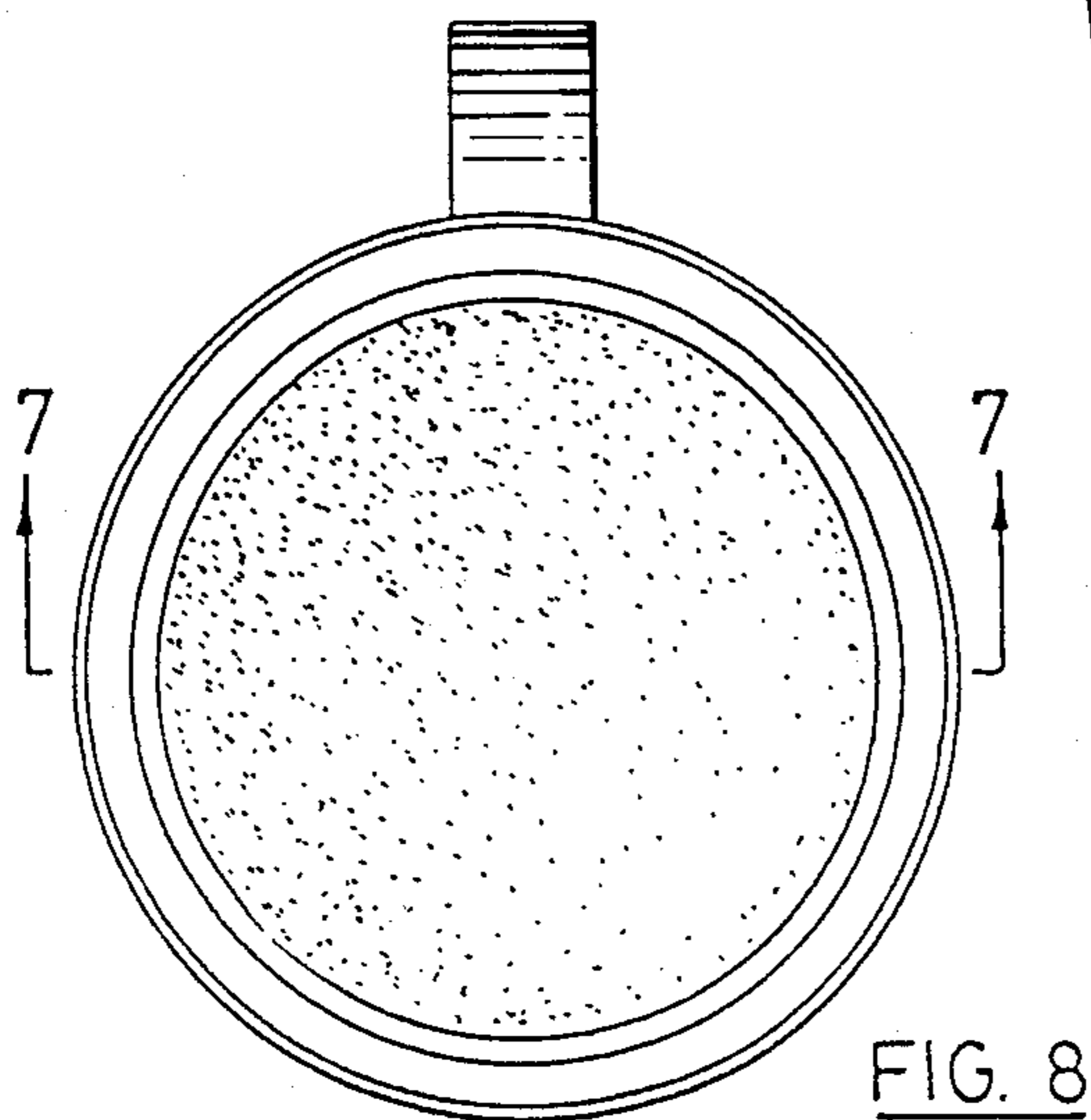


FIG. 8