

[54] BOTTLE TRAY FOR VEHICLES

[75] Inventor: Yoshihisa Tanaka, Ichikawa, Japan

[73] Assignee: Tanaka Manufacturing Co., Ltd., Tokyo, Japan

[**] Term: 14 Years

[21] Appl. No.: 458,858

[22] Filed: Jan. 17, 1983

[52] U.S. Cl. D3/40; D7/70

[58] Field of Search D7/38, 3, 21, 70, 71; D3/30.1, 74, 35, 40; D9/341, 345, 347; D6/466, 467, 571

[56] References Cited

U.S. PATENT DOCUMENTS

- D. 162,228 2/1951 Russell D3/40
- D. 204,999 6/1966 Edwards D3/40
- D. 269,835 7/1983 Knabb D6/466

- 513,125 1/1894 Matthews D7/70 X
- 2,754,078 7/1956 Koger et al. D7/70 X
- 3,233,563 2/1966 Mauchline D7/38 X

Primary Examiner—Winifred E. Herrmann

[57] CLAIM

The ornamental design for a bottle tray for vehicles, as shown and described.

DESCRIPTION

FIG. 1 is a top, front, and right side perspective view of a bottle tray for vehicles showing my new design; FIG. 2 is a front elevational view thereof; FIG. 3 is a rear elevational view thereof; FIG. 4 is a right side elevational view thereof, the side opposite being similar thereto; FIG. 5 is a top plan view thereof; FIG. 6 is a bottom plan view thereof; and FIG. 7 is another top, front, and right side perspective view thereof with the bottle tray in a folded condition.

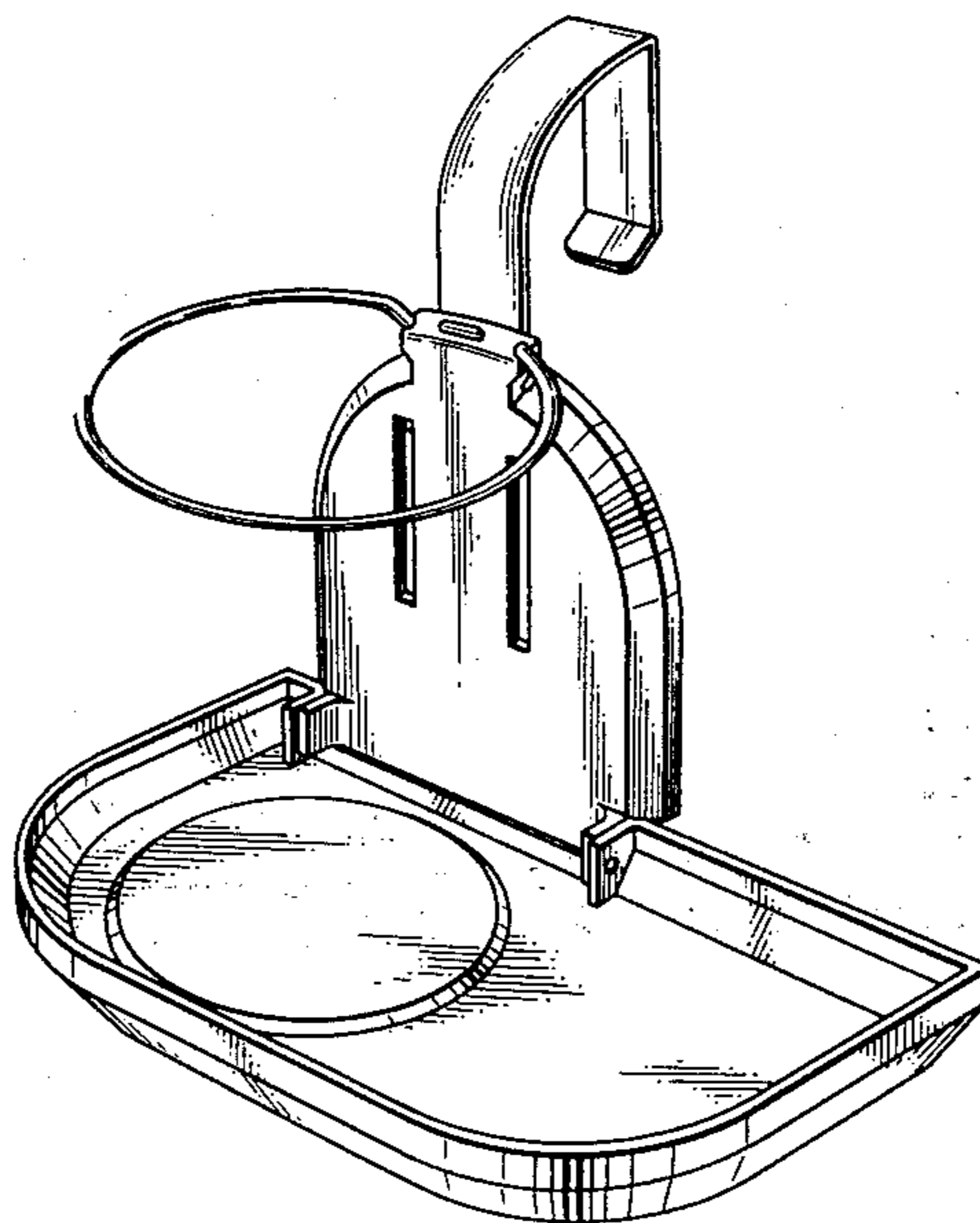
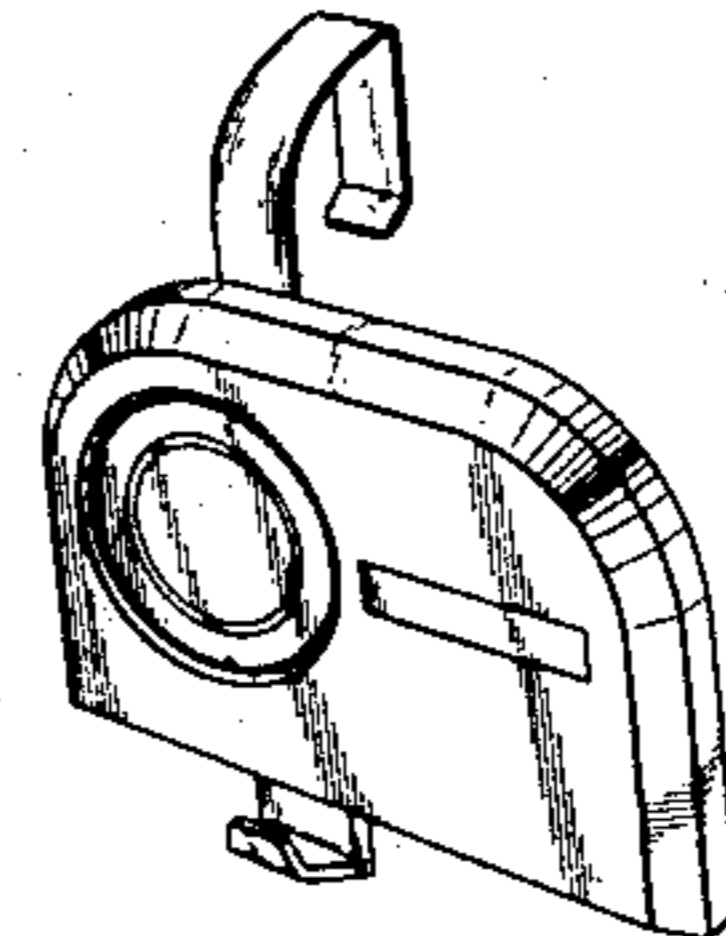
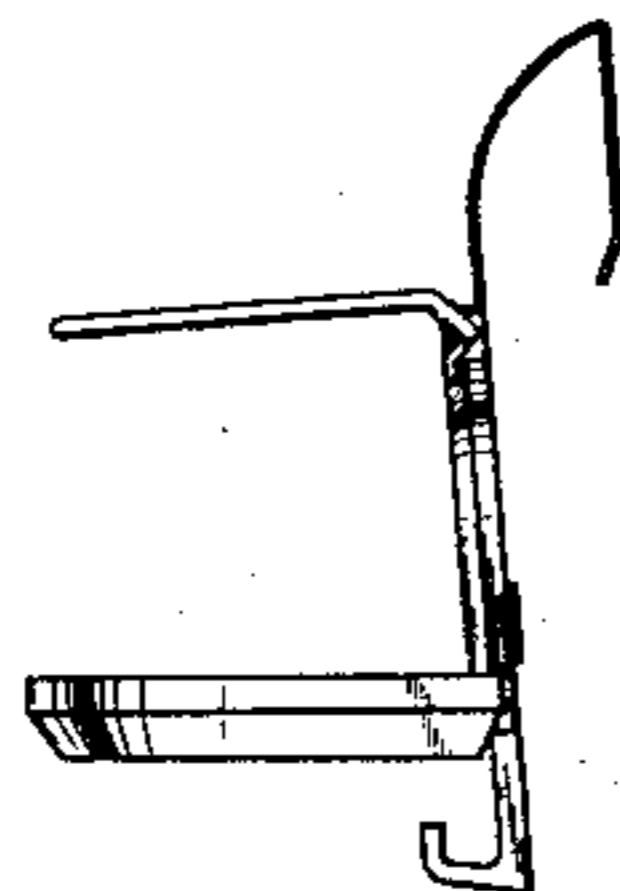


Fig. 1

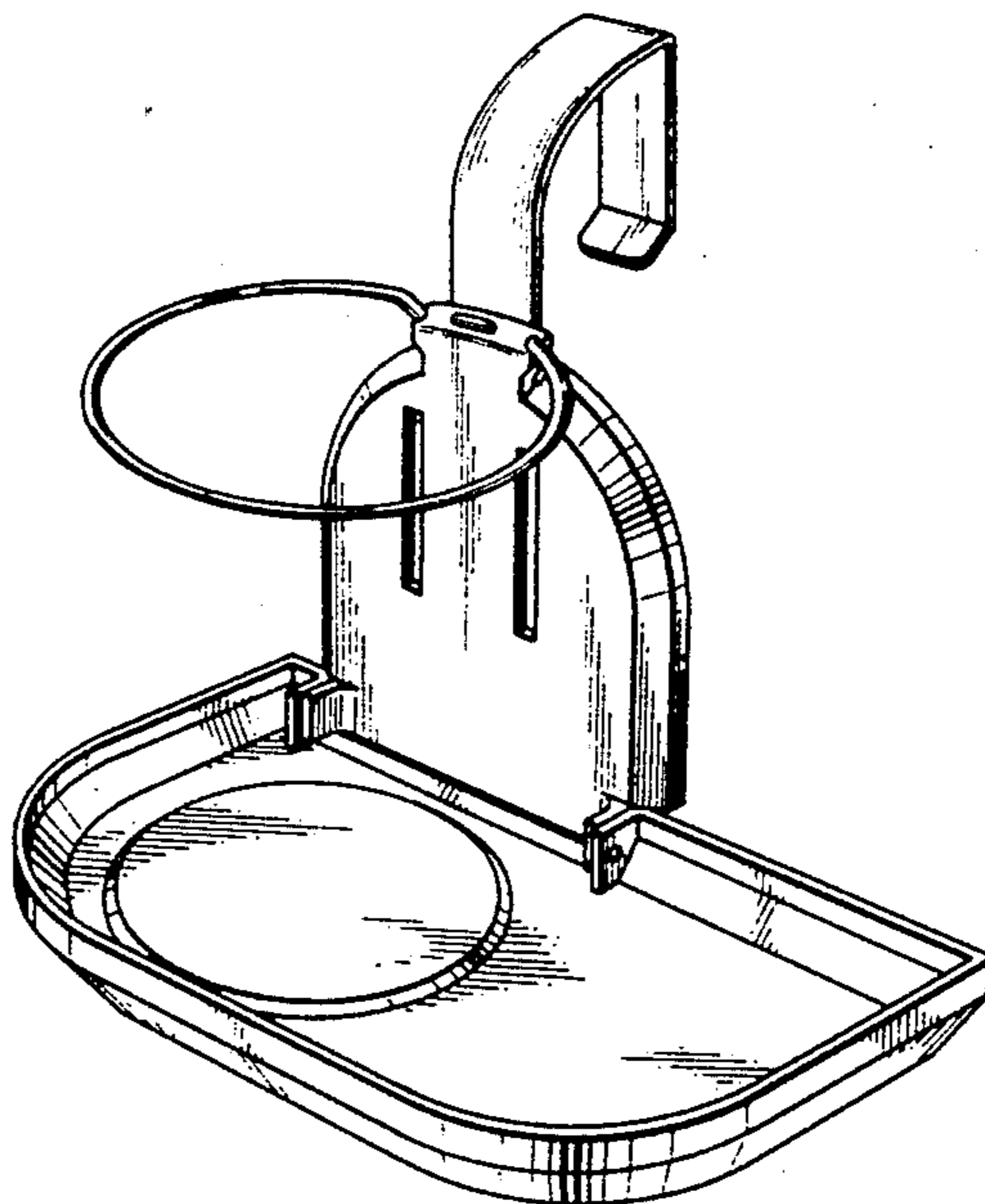


Fig. 2

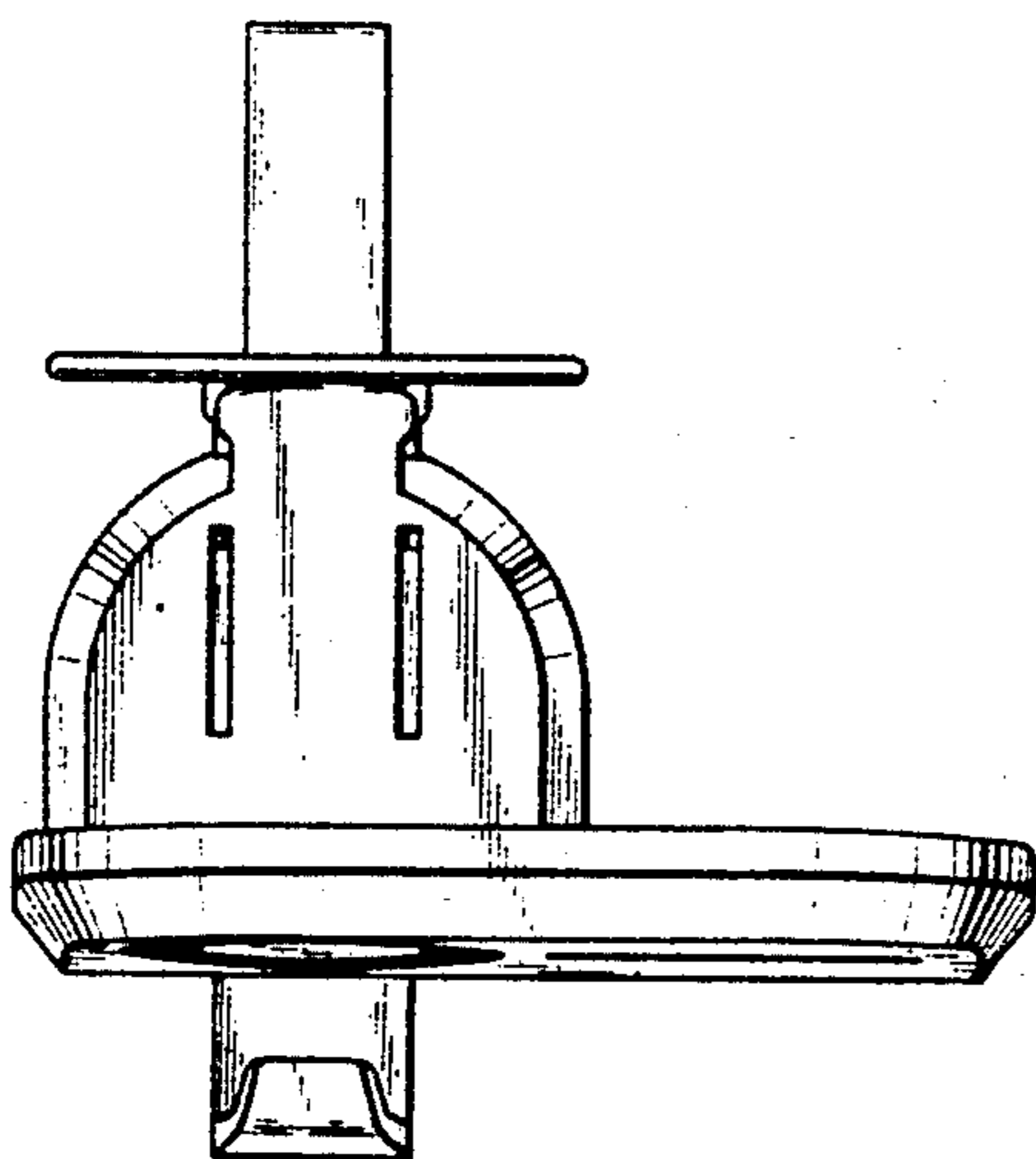


Fig. 3

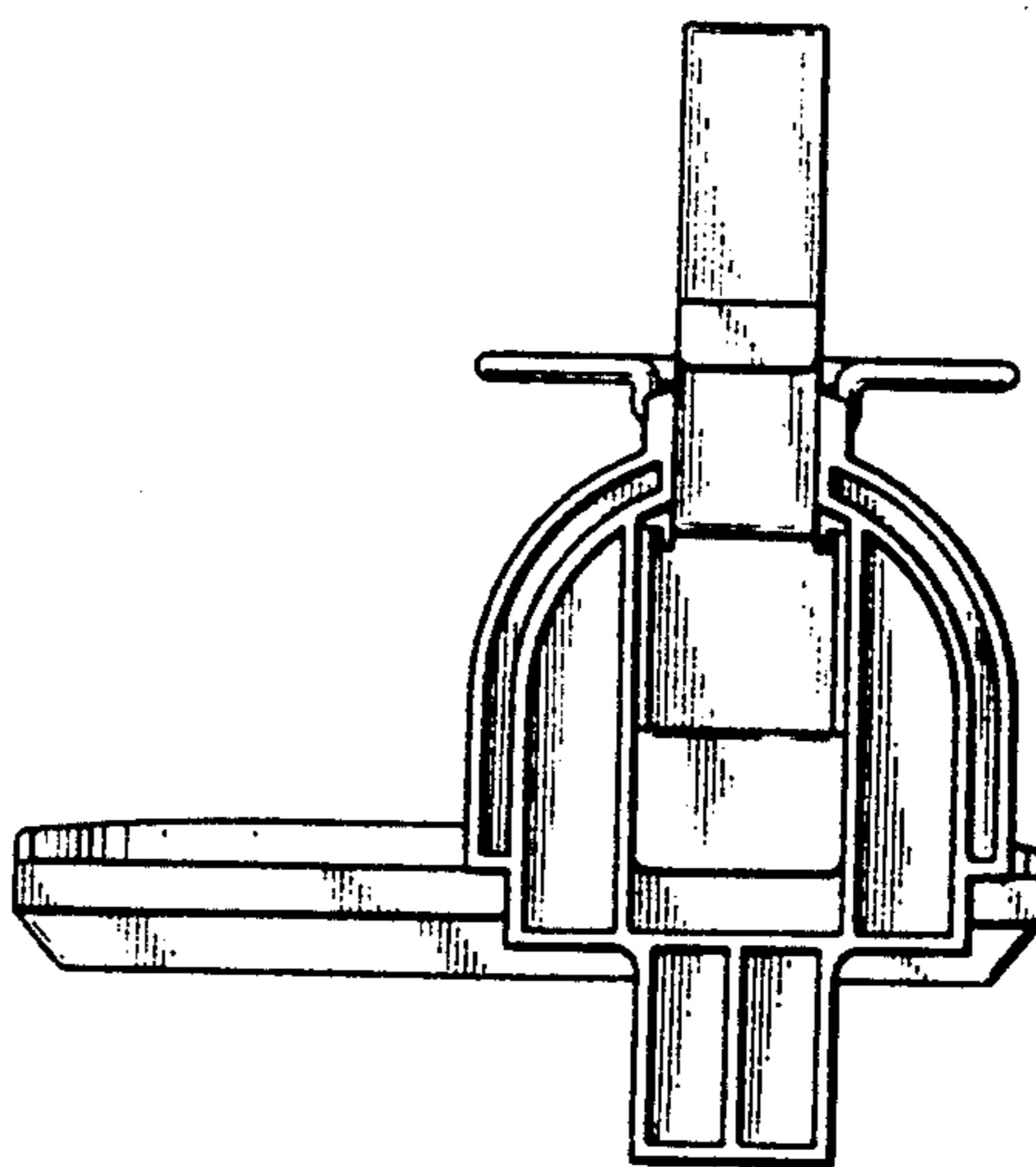


Fig. 4

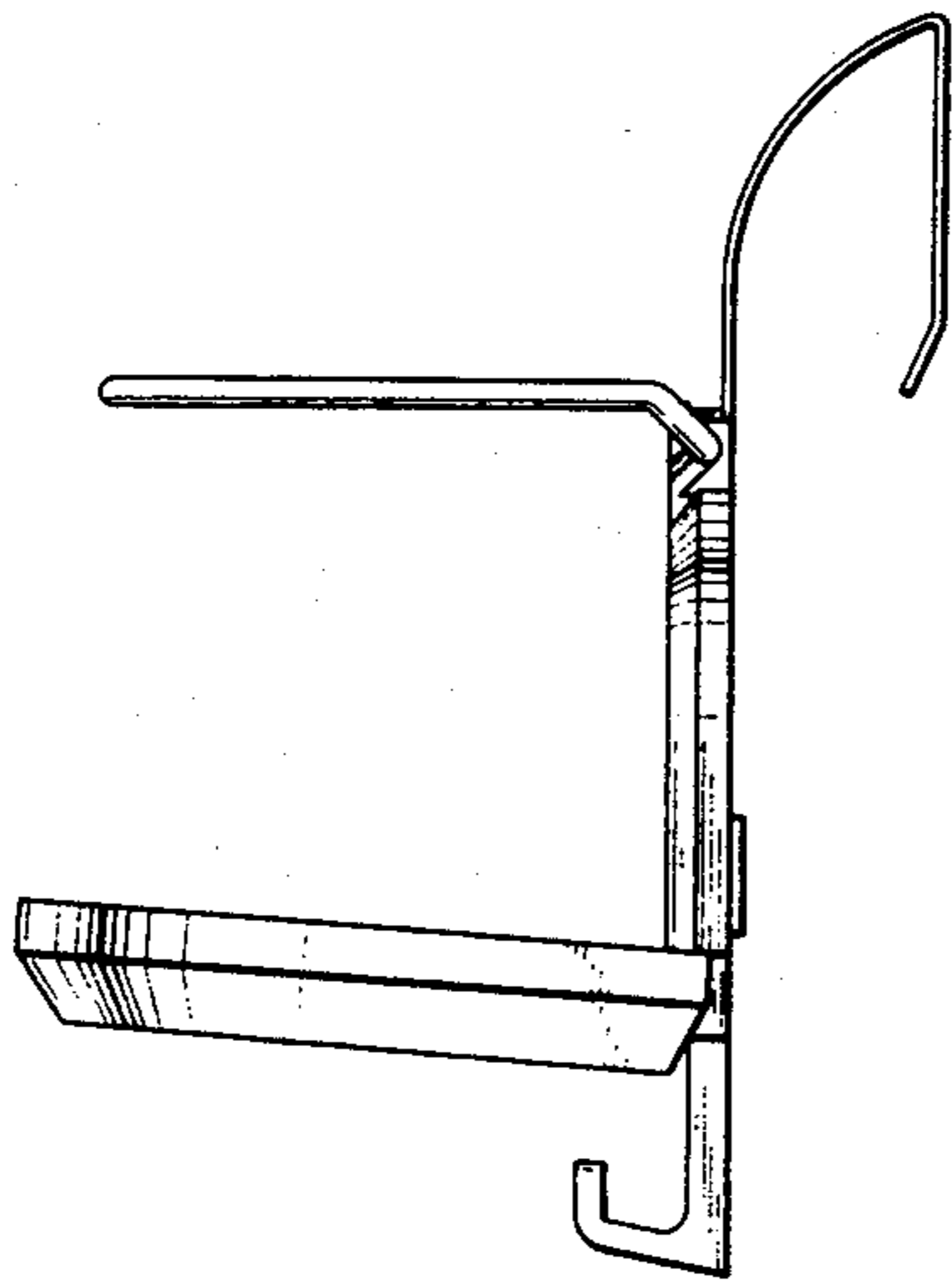


Fig. 5

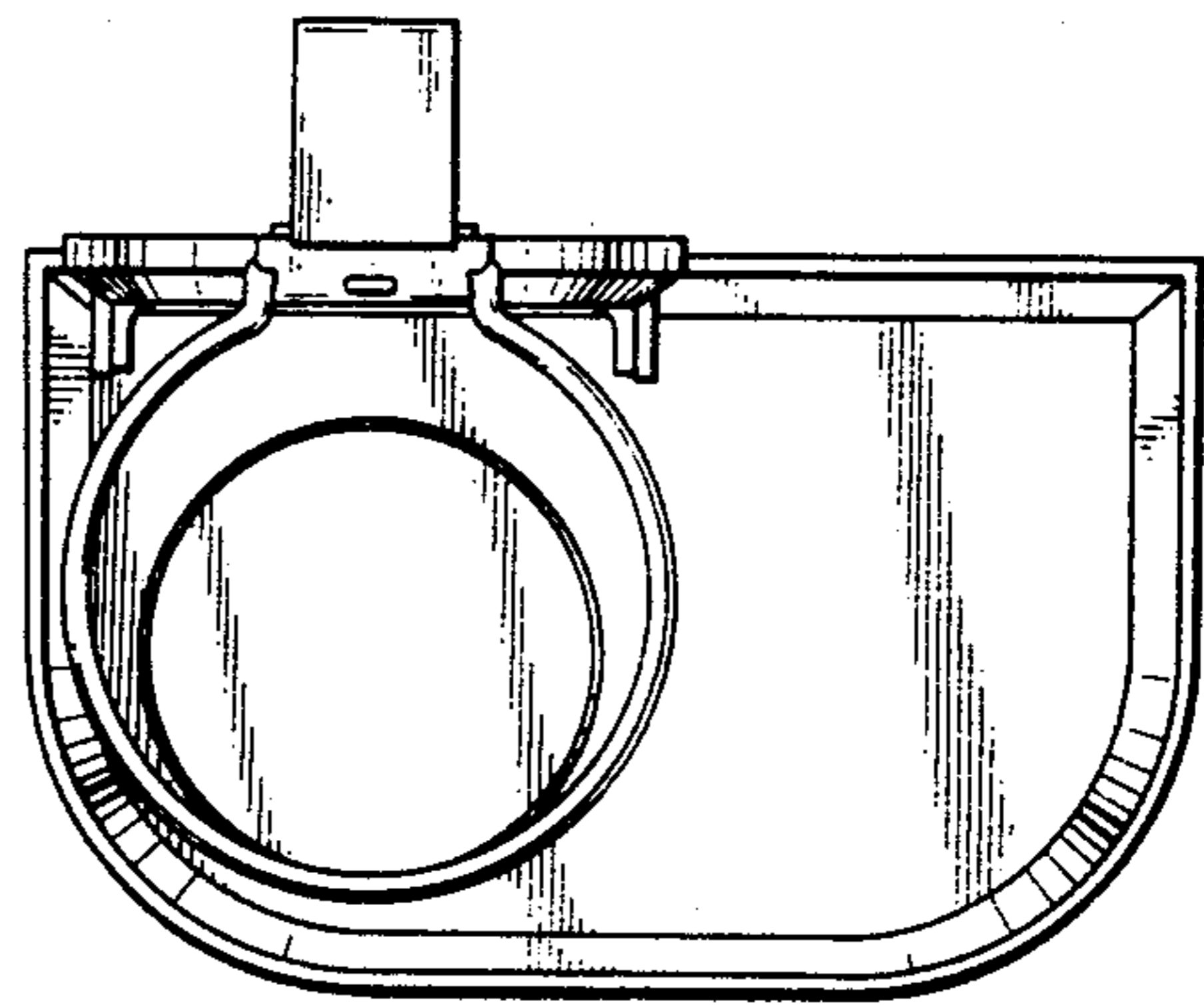


Fig. 6

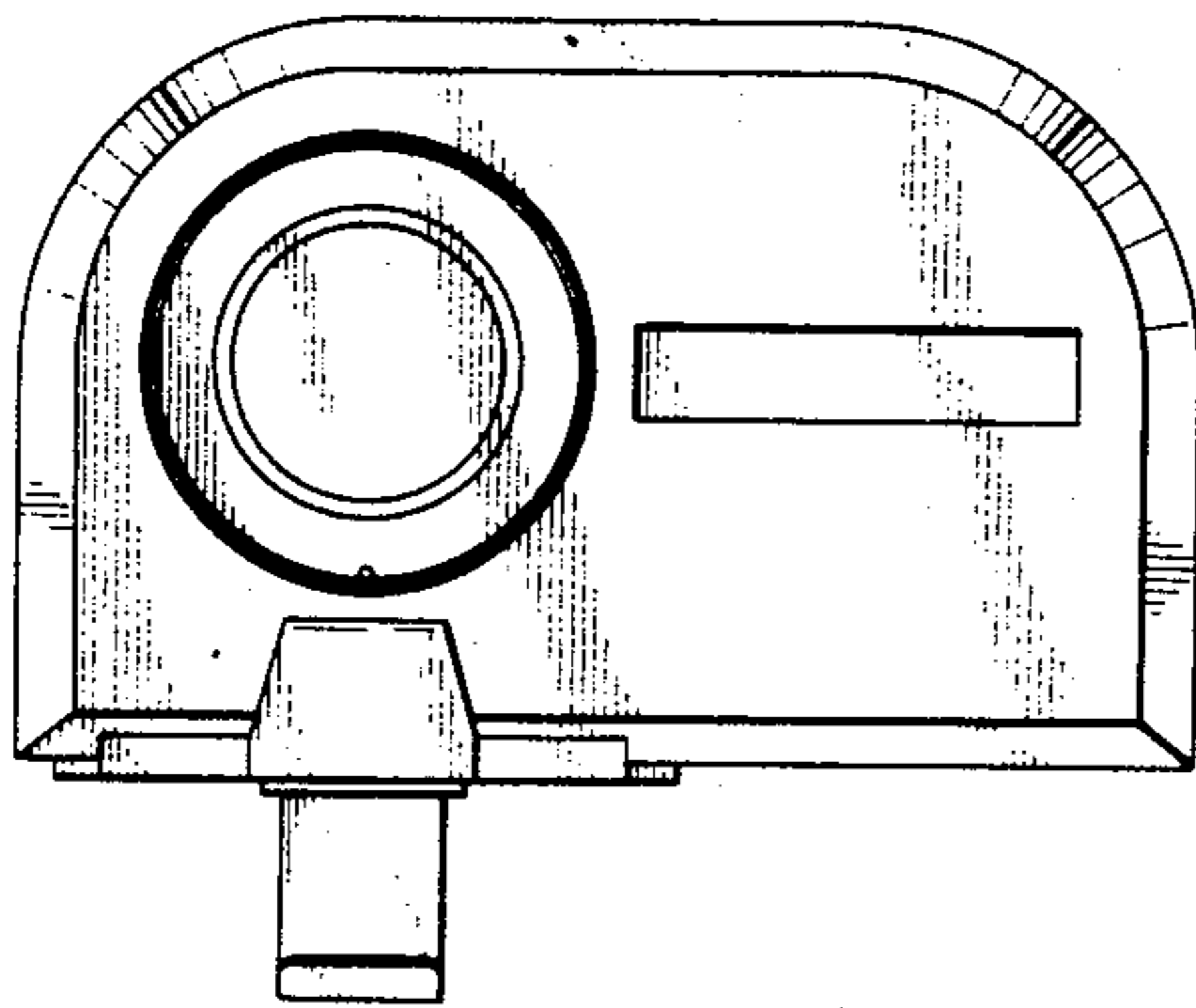


Fig. 7

