

[54] UMBRELLA RUNNER

[76] Inventor: Douglas Falzett, 15 Crystal Cove, Laguna Beach, Calif. 92651

[**] Term: 14 Years

[21] Appl. No.: 544,527

[22] Filed: Oct. 24, 1983

[52] U.S. Cl. D3/10; D8/397

[58] Field of Search D3/5, 7, 9, 10, 12, D3/14, 17; 135/20 R, 20 A, 22, 24, 25 R, 37-39, 41, DIG. 2, 28, 29

[56] References Cited

U.S. PATENT DOCUMENTS

D. 203,947	3/1966	Pick	D8/397 X
353,978	12/1886	Simpson	135/41
739,437	9/1903	McComb	135/25 R
742,177	10/1903	Flad	135/24

752,178	2/1904	Peate	135/28
819,238	5/1906	MacMillan	135/28
3,746,024	7/1973	Kida	135/20 R

Primary Examiner—Bernard Ansher
Assistant Examiner—Terry Pfeffer
Attorney, Agent, or Firm—Francis X. LoJacono

[57] CLAIM

The ornamental design for an umbrella runner, as shown and described.

DESCRIPTION

FIG. 1 is a top-plan view of an umbrella runner showing my new design;
FIG. 2 is a bottom-plan view thereof;
FIG. 3 is a side-elevation view thereof; and
FIG. 4 is a front-elevation view thereof, the rear-elevation view being identical thereto and therefore not illustrated herein.

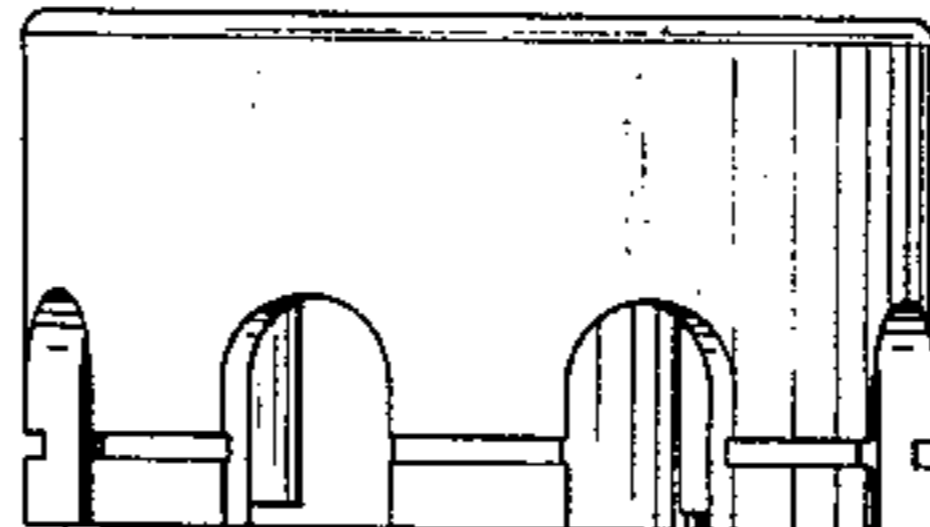
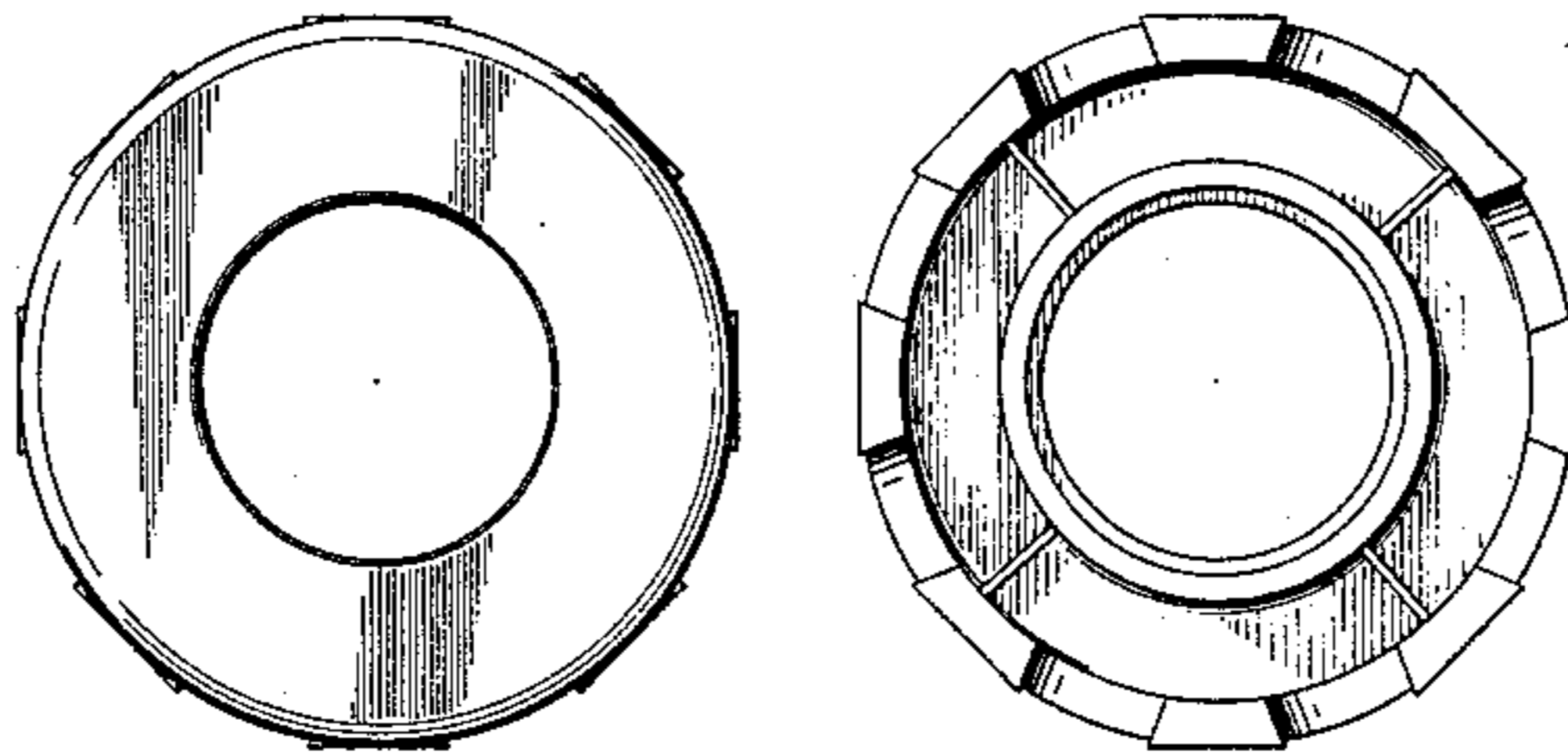


FIG. 1

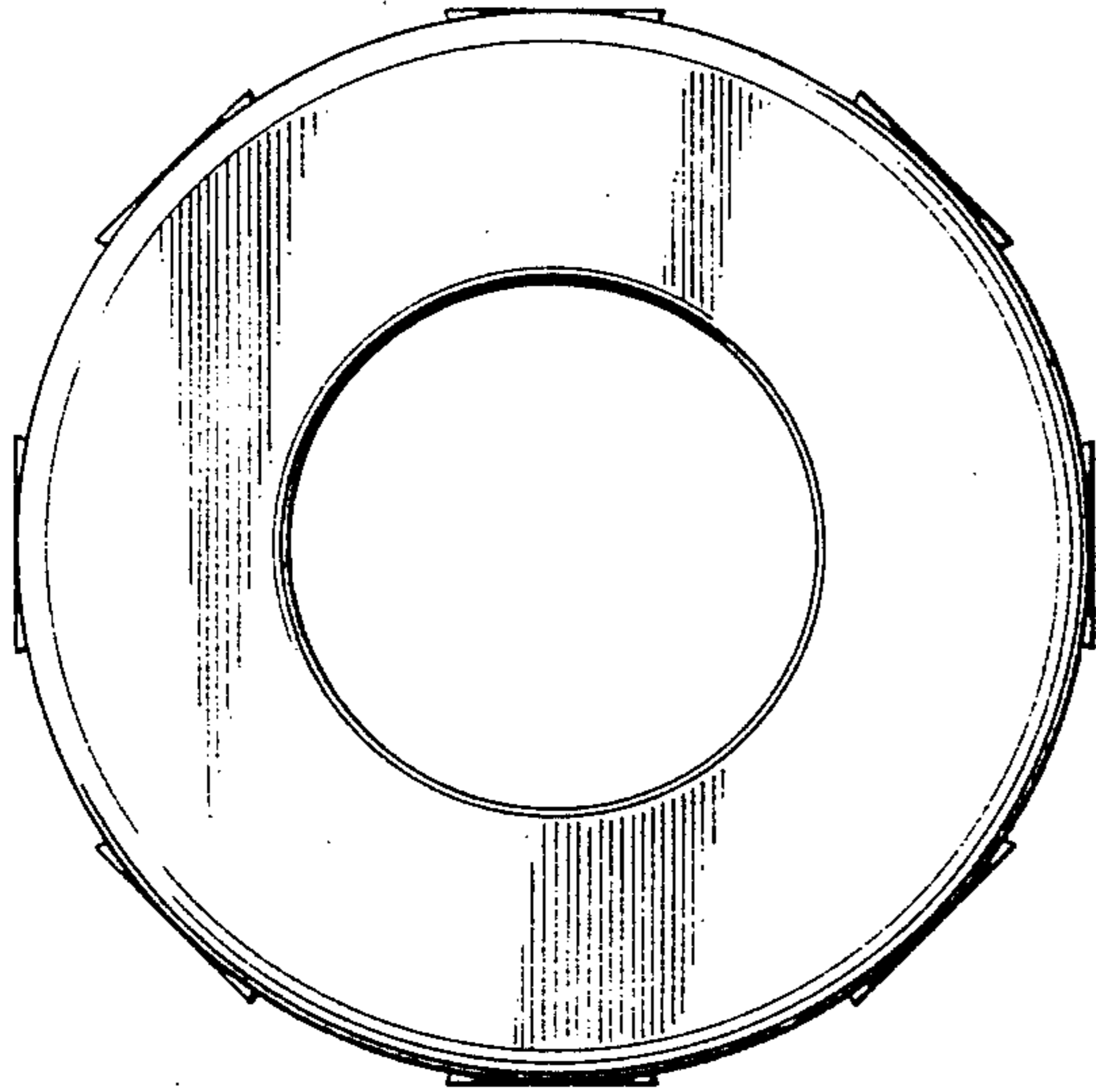


FIG. 2

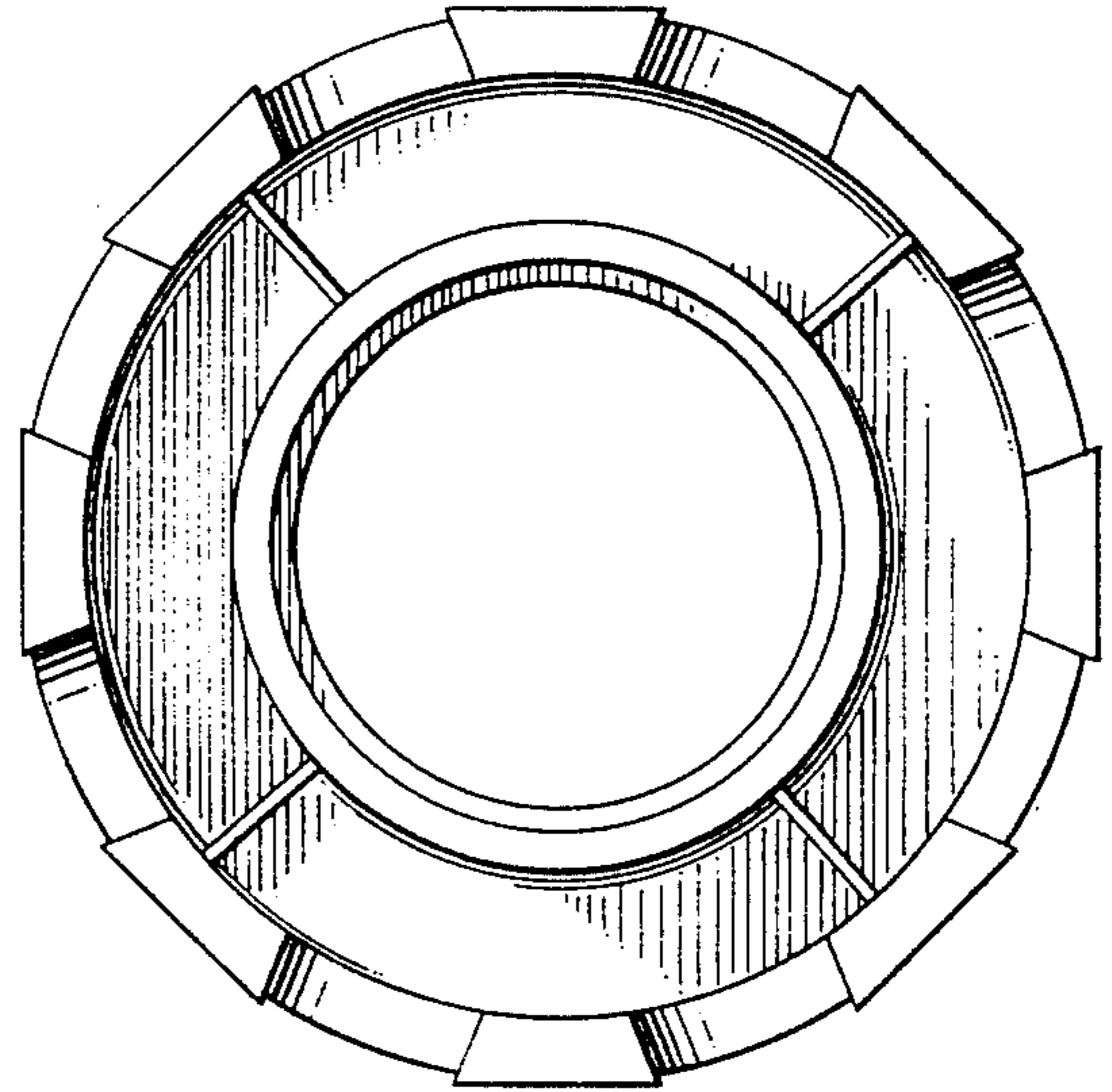


FIG. 3

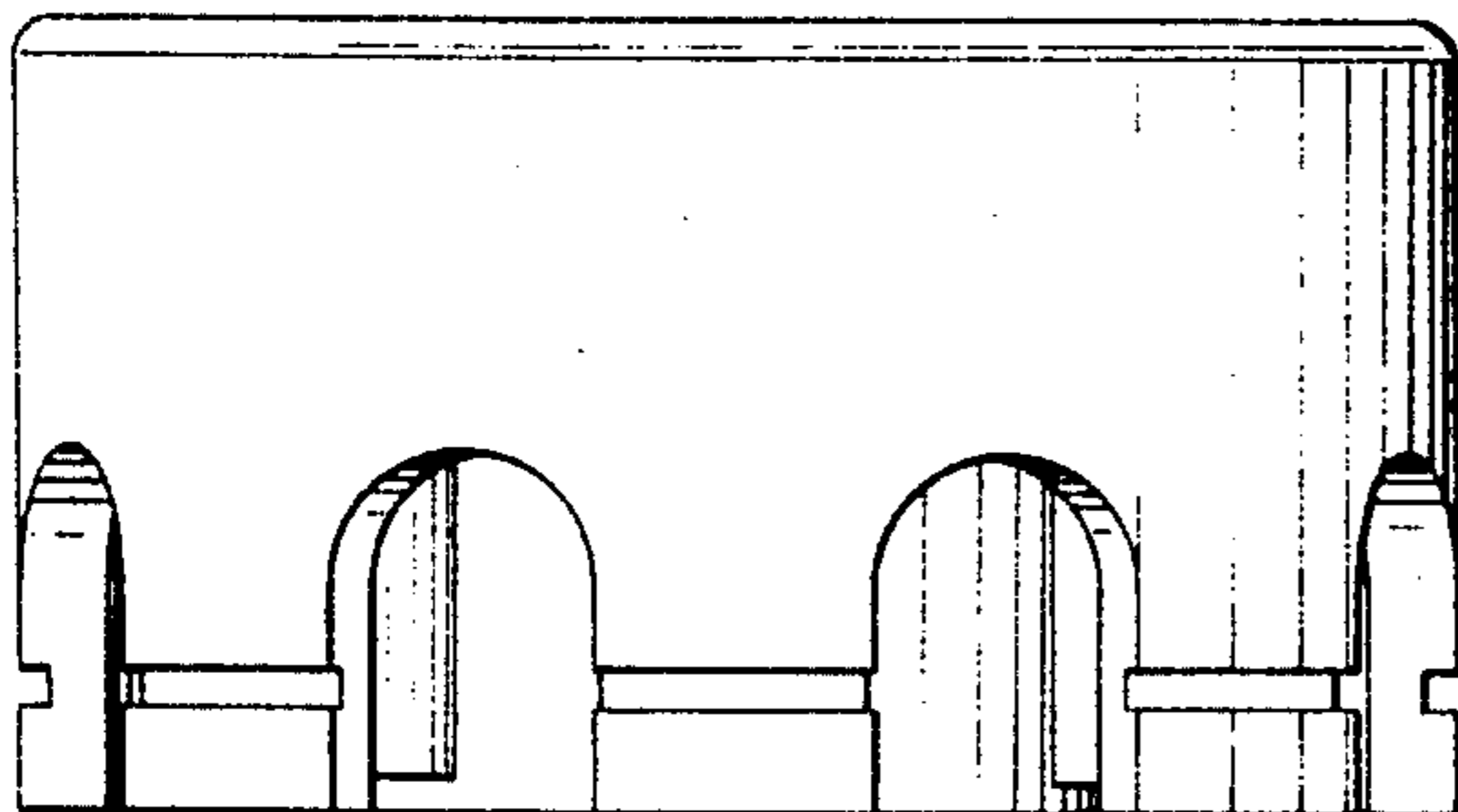


FIG. 4

