

[54] SADDLE RACK

[76] Inventor: Richard P. Bartholomew, 2321 S. Santa Fe Ave., Vista, Calif. 92083

[**] Term: 14 Years

[21] Appl. No.: 471,778

[22] Filed: Mar. 3, 1983

[52] U.S. Cl. D30/45

[58] Field of Search D30/44, 45; 211/13, 211/86, 87, 96, 104, 163

[56] References Cited

U.S. PATENT DOCUMENTS

| | | | | |
|------------|---------|----------------|-------|---------|
| D. 199,988 | 1/1965 | Kadison | | D30/45 |
| D. 208,155 | 7/1967 | Swanson et al. | | D30/45 |
| D. 262,323 | 12/1981 | Perkins | | D30/45 |
| D. 262,834 | 1/1982 | Perkins | | D30/45 |
| D. 262,918 | 2/1982 | Perkins | | D30/45 |
| 2,740,532 | 4/1956 | Kleinsmith | | 211/104 |
| 2,952,366 | 9/1960 | Botten | | 211/104 |
| 3,233,745 | 2/1966 | Hershberger | | 211/104 |

| | | | | |
|-----------|---------|-------------|-------|-----------|
| 3,305,101 | 2/1967 | Mills | | 211/87 |
| 3,315,819 | 4/1967 | Kingsberg | | 211/163 |
| 3,688,912 | 9/1972 | Wilmoth | | 211/87 |
| 3,780,971 | 12/1973 | De Philipps | | 211/104 X |
| 4,356,922 | 11/1982 | Dierksheide | | 211/13 |

FOREIGN PATENT DOCUMENTS

| | | | | |
|---------|--------|--------|-------|---------|
| 1075207 | 4/1980 | Canada | | 211/163 |
|---------|--------|--------|-------|---------|

Primary Examiner—James R. Largen
Attorney, Agent, or Firm—Jack C. Munro

[57] CLAIM

The ornamental design for a saddle rack, substantially as shown and described.

DESCRIPTION

FIG. 1 is an isometric view of a saddle rack showing my new design;
FIG. 2 is a front elevational view thereof;
FIG. 3 is a rear elevational view thereof;
FIG. 4 is a top plan view thereof; and
FIG. 5 is a right side elevational view thereof, the left side being a mirror image of the right side shown.

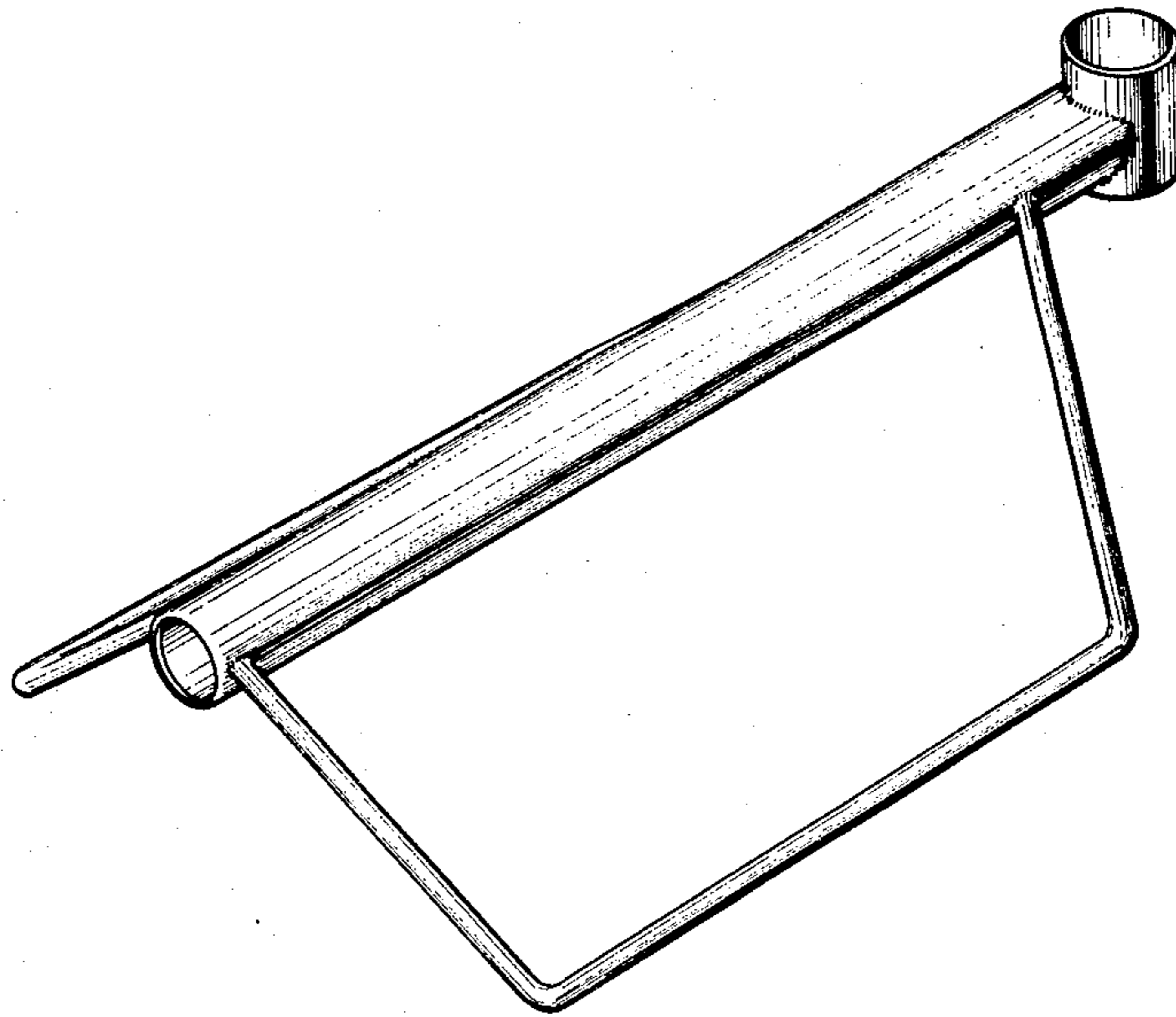


Fig. 1.

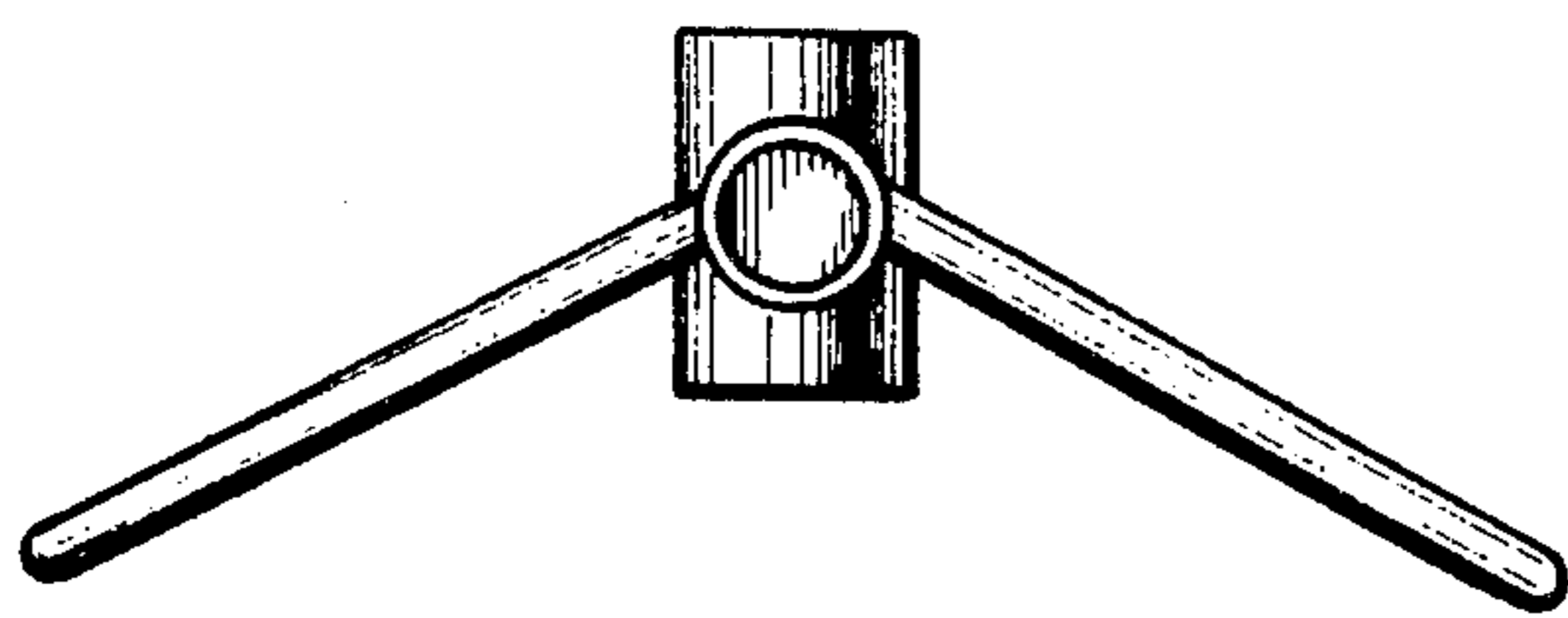
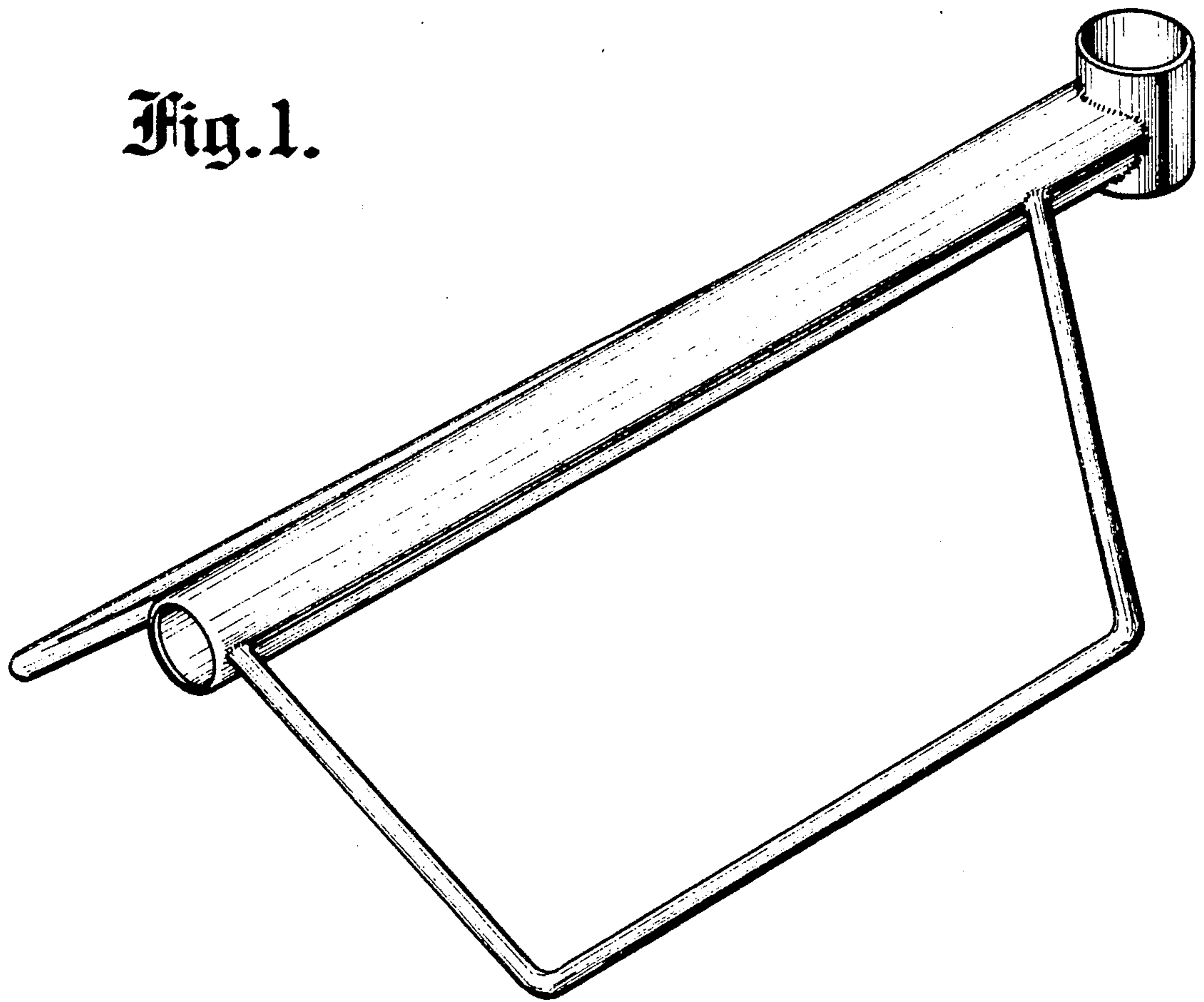


Fig. 2.

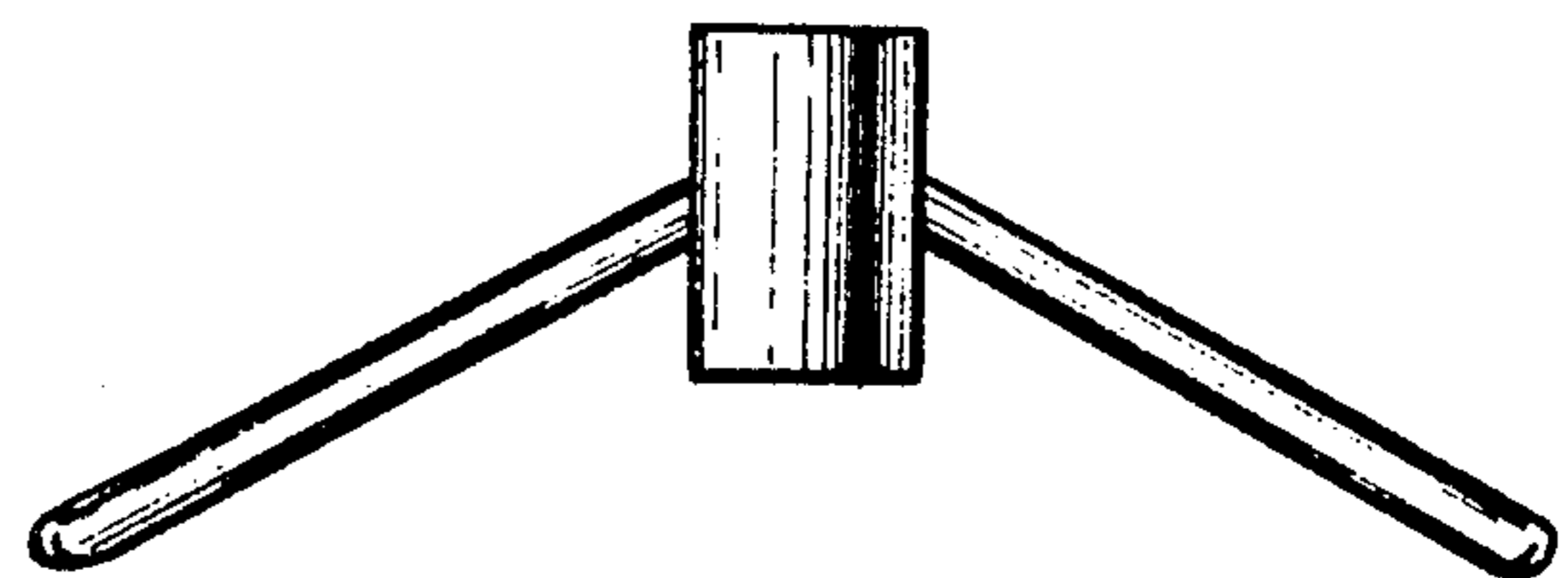


Fig. 3.

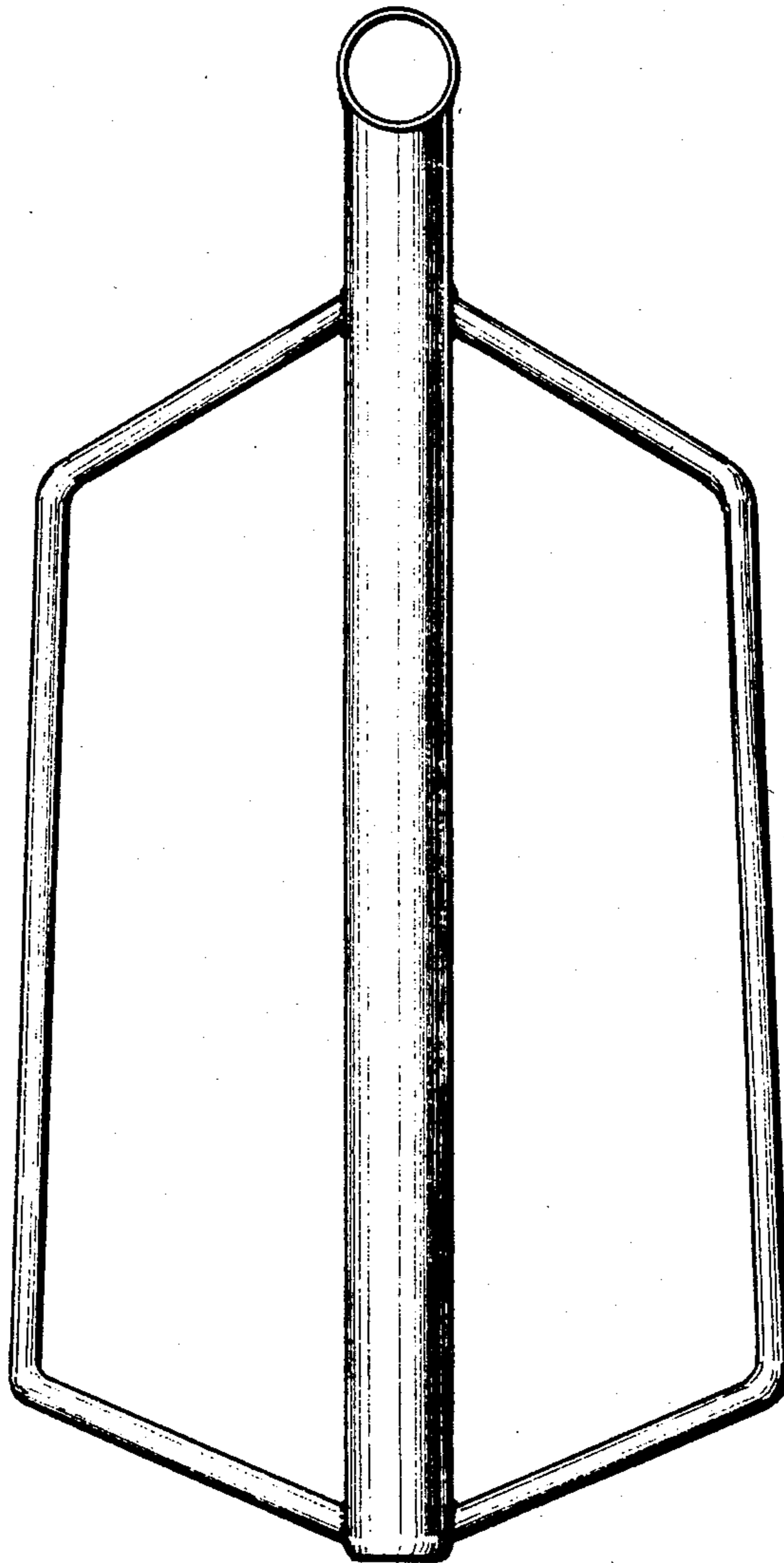


Fig. 4.

Fig. 5.

