

[54] IMMUNOASSAY TEST SLIDE

[75] Inventors: **Anthony B. Chen**, Hayward; **Richard A. Harte**, Redwood City; **Nancy K. Kaufman**, Belmont, all of Calif.

[73] Assignee: **Daryl Laboratories, Inc.**, Santa Clara, Calif.

[**] Term: **14 Years**

[21] Appl. No.: **399,855**

[22] Filed: **Jul. 19, 1982**

[52] U.S. Cl. **D24/29**

[58] Field of Search 435/293, 300; 422/102, 422/65; 436/809; D24/8, 29, 99

2,956,931 10/1960 Goldberg 435/293 X
 3,932,141 1/1976 Beall et al. 422/102
 4,246,339 1/1981 Cole et al. 422/102 X
 4,263,256 4/1981 Morle 422/102 X
 4,299,920 10/1981 Peters 435/300 X

Primary Examiner—Catherine E. Kemper
Attorney, Agent, or Firm—Kolisch, Hartwell & Dickinson

[57] CLAIM

The ornamental design for a immunoassay test slide, substantially as shown and described.

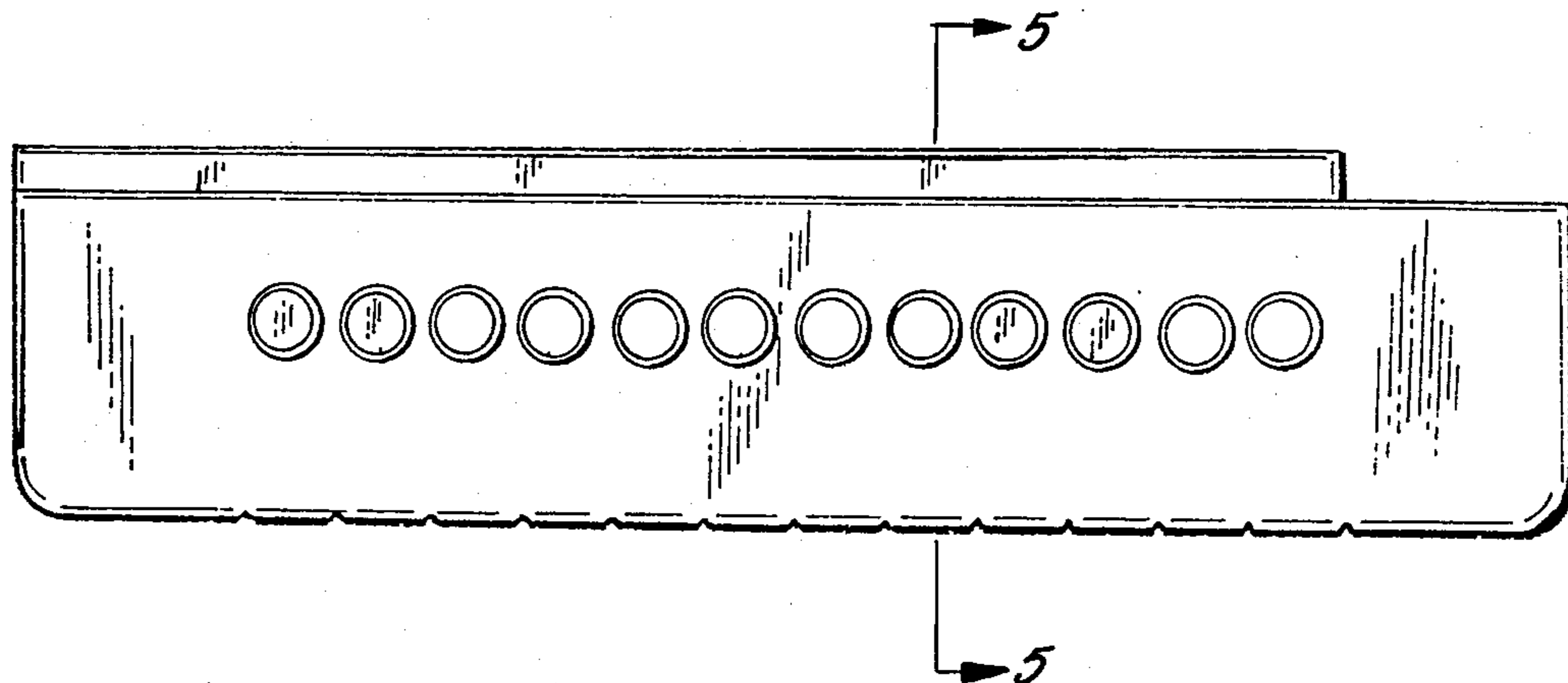
DESCRIPTION

FIG. 1 is a top plan view of an immunoassay test slide, showing our new design;
 FIG. 2 is a left side elevational view thereof;
 FIG. 3 is a right side elevational view thereof;
 FIG. 4 is a bottom plan view thereof;
 FIG. 5 is a sectional view taken along line 5—5 of FIG. 1;
 FIG. 6 is a rear elevational view thereof;
 FIG. 7 is a front elevational view thereof.

[56] References Cited

U.S. PATENT DOCUMENTS

D. 239,548 4/1976 Schiff et al. D24/29
 D. 252,341 7/1979 Thomas D24/29
 D. 257,175 9/1980 Terk D24/29
 2,561,339 7/1951 Chediak 435/300 X



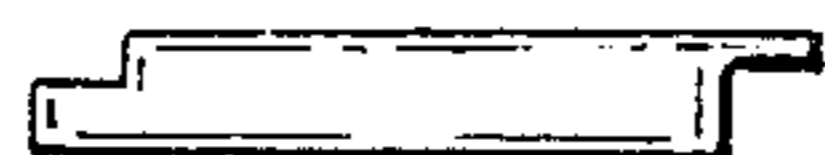
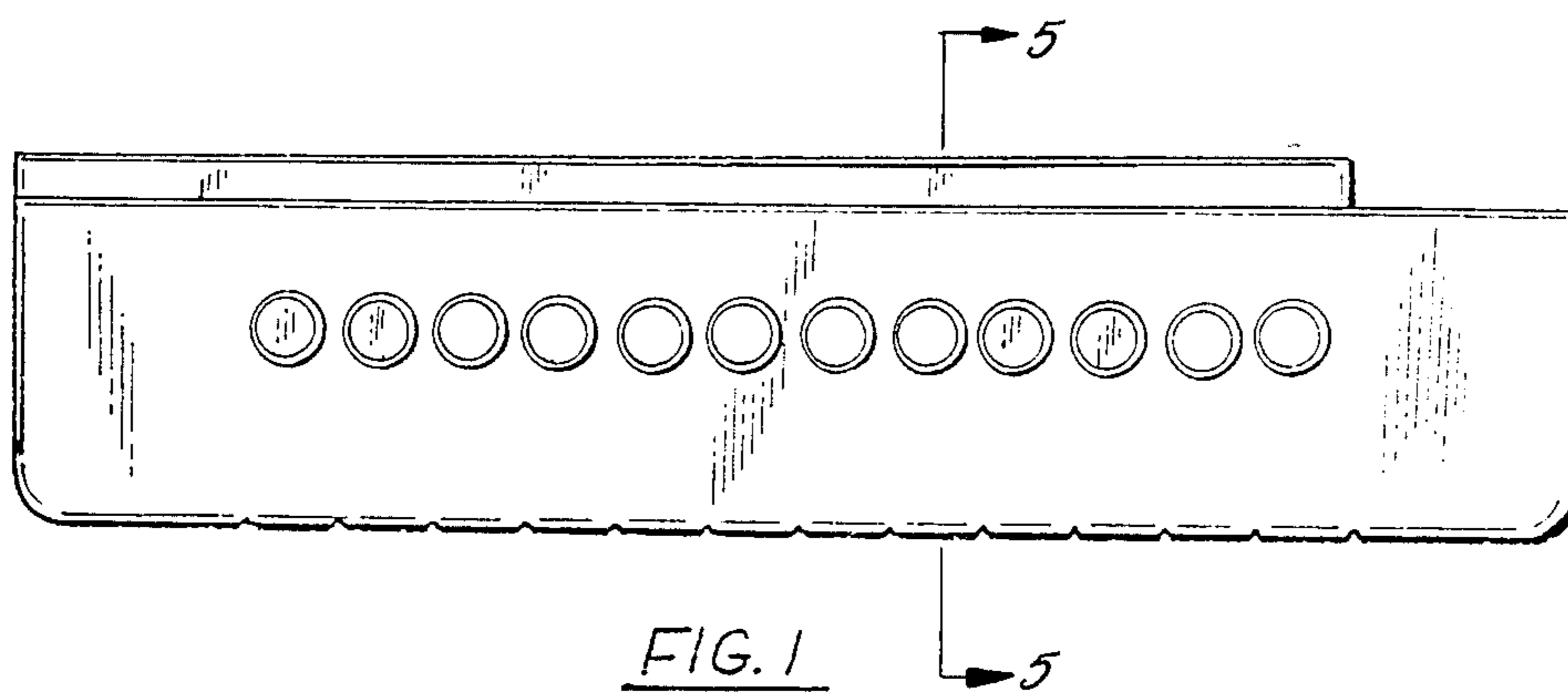


FIG. 2

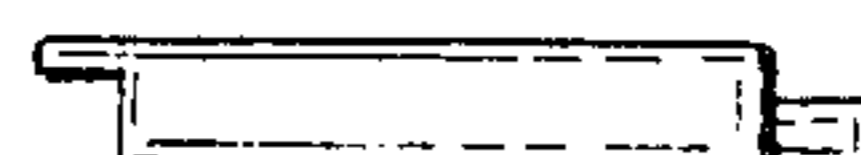


FIG. 3

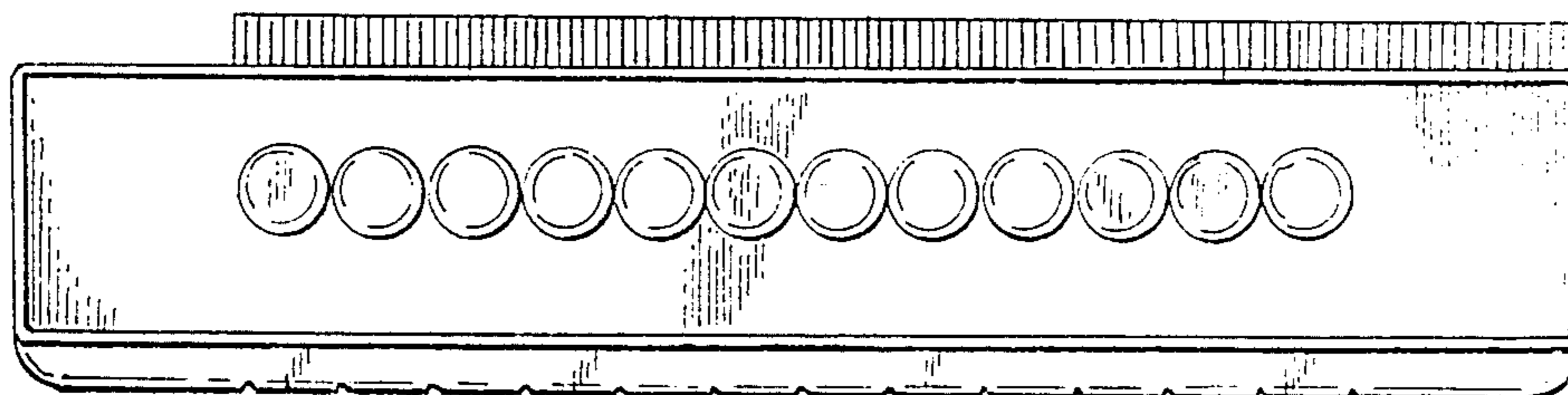




FIG. 6

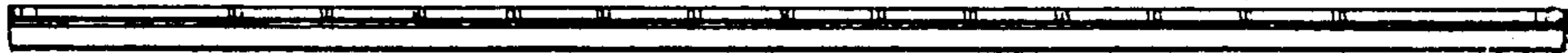


FIG. 7

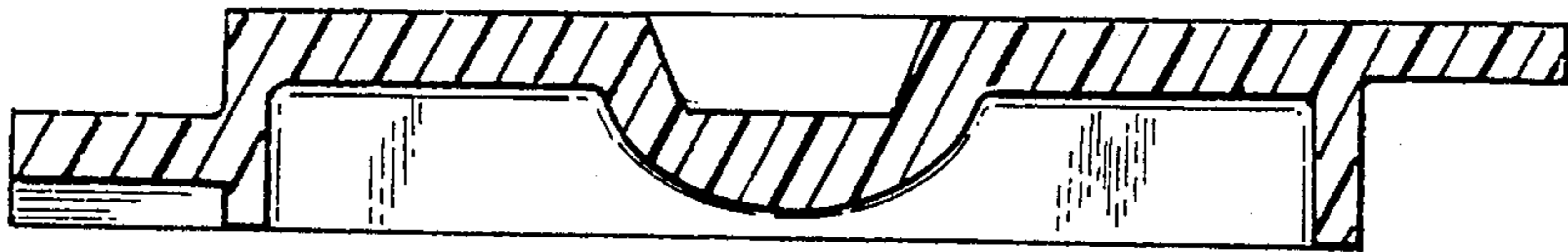


FIG. 5