

[54] DENTAL ARTICULATOR

[76] Inventor: John W. Mitchell, Sr., 1701 W. 168th St., Gardena, Calif. 90247

[**] Term: 14 Years

[21] Appl. No.: 385,044

[22] Filed: Jun. 4, 1982

[52] U.S. Cl. D24/10

[58] Field of Search D24/10; 433/54-67

[56] References Cited

U.S. PATENT DOCUMENTS

| | | | | |
|------------|---------|-----------------|-------|----------|
| D. 261,805 | 11/1981 | Edwardson | | D24/10 |
| 1,593,527 | 7/1926 | Gambill | | 433/58 |
| 2,275,726 | 3/1942 | Burns et al. | | 433/57 |
| 3,019,529 | 2/1962 | Hinze | | 433/64 |
| 3,429,045 | 2/1969 | Anderson et al. | | 433/54 X |
| 3,624,906 | 12/1971 | Granger | | 433/59 X |
| 3,772,788 | 11/1973 | Gerber | | 433/55 |
| 3,815,242 | 6/1974 | Martfay et al. | | 433/63 |
| 3,885,311 | 5/1975 | Lawler et al. | | 433/65 |

| | | | | |
|-----------|--------|---------------|-------|--------|
| 4,164,074 | 8/1979 | Lawler et al. | | 433/65 |
| 4,245,987 | 1/1981 | Bertoldi | | 433/61 |

Primary Examiner—Catherine E. Kemper
Attorney, Agent, or Firm—Howard L. Johnson

[57] CLAIM

The ornamental design for a dental articulator, substantially as shown and described.

DESCRIPTION

FIG. 1 is a side elevational view of a dental articulator showing my new design.

FIG. 2 is a front elevational view thereof with the ends of the bow attachment arms broken off.

FIG. 3 is a rear elevational view thereof with the bow attachment arms shown fragmentarily.

FIG. 4 is a top plan view thereof.

FIG. 5 is a bottom plan view thereof.

FIG. 6 is a transverse sectional view thereof taken along line 6-6 of FIG. 1 with the denture support platform tilted to one side.

FIG. 7 is a top front perspective view of the articulator.

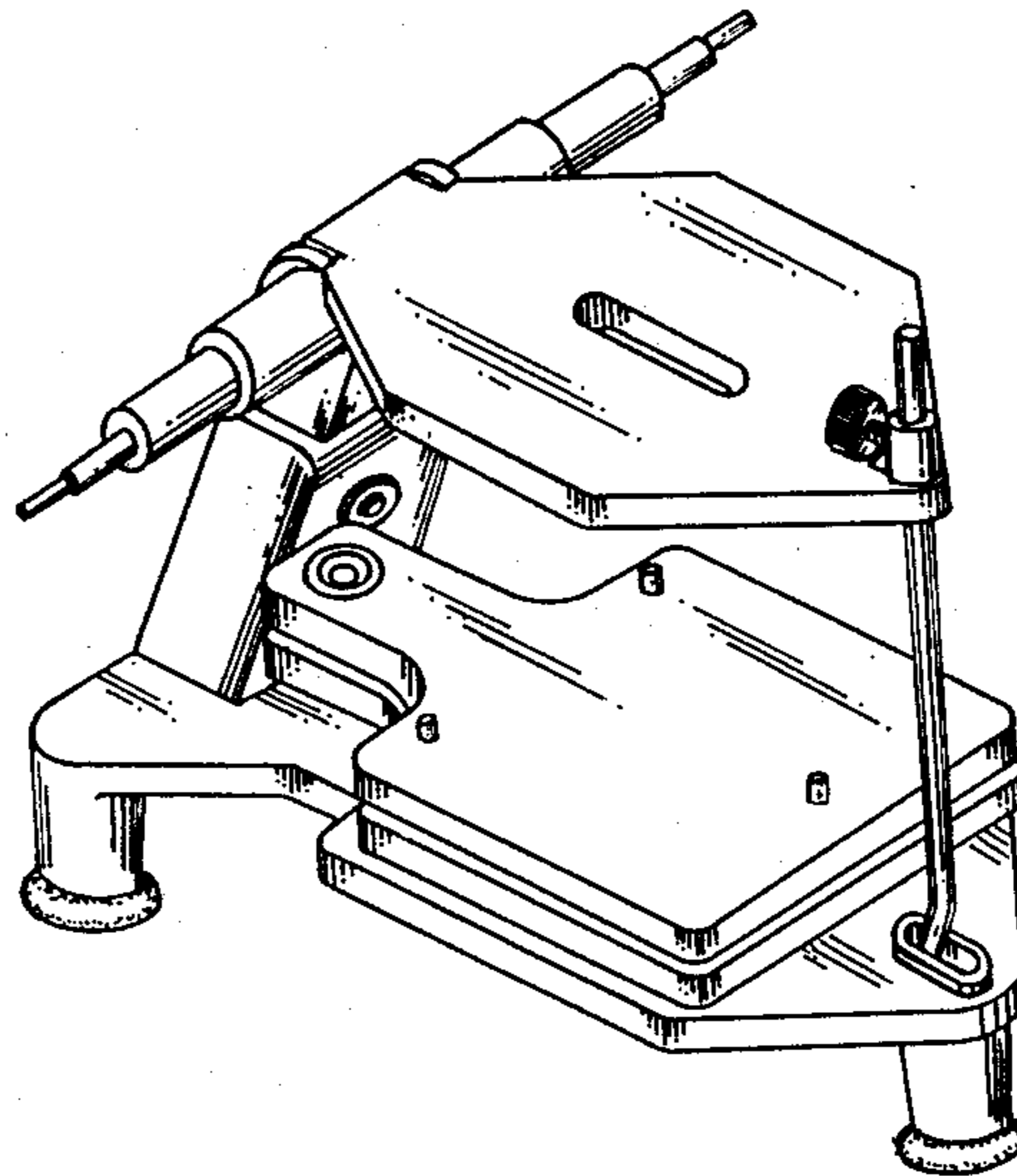


FIG. 1.

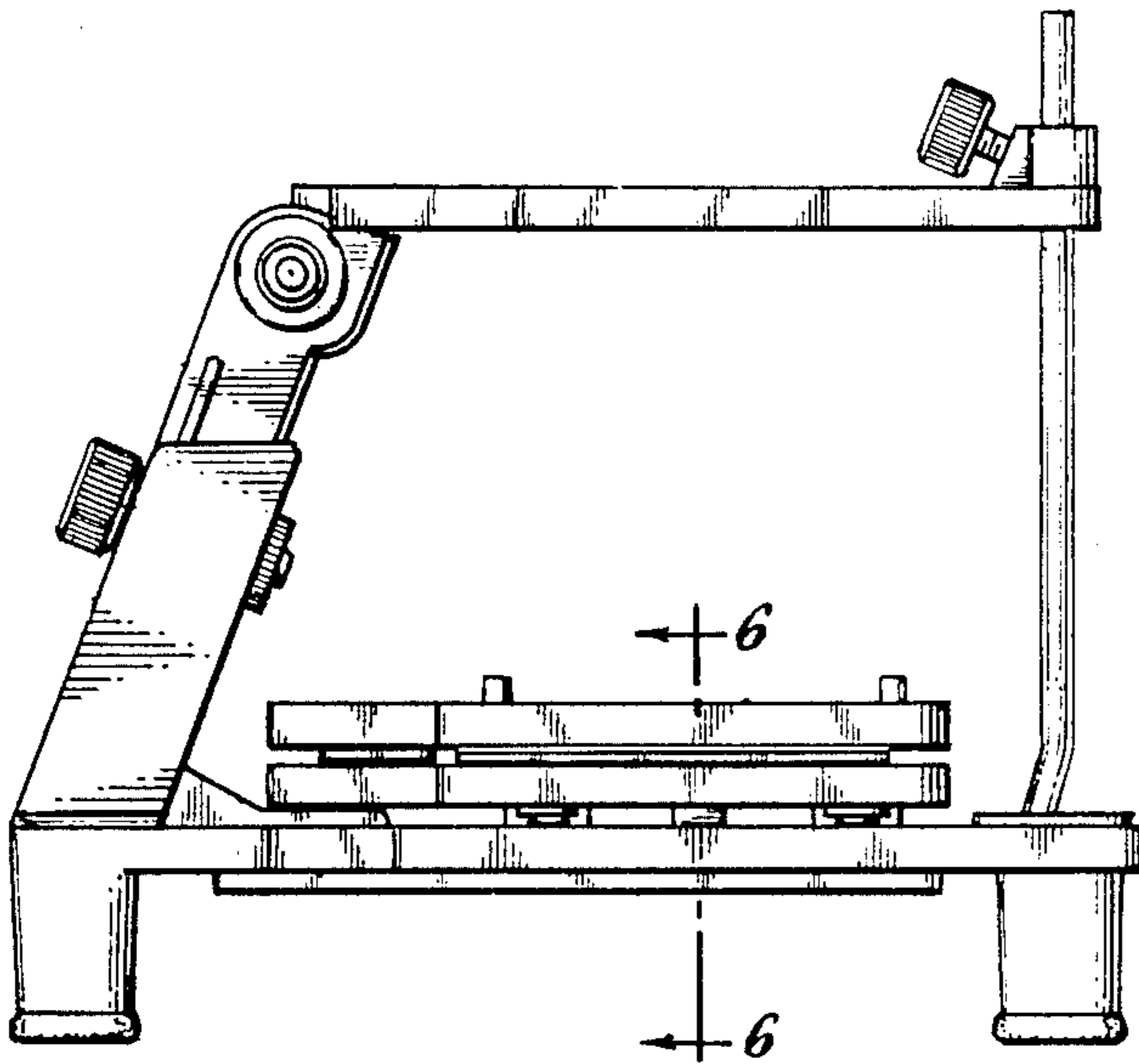


FIG. 2.

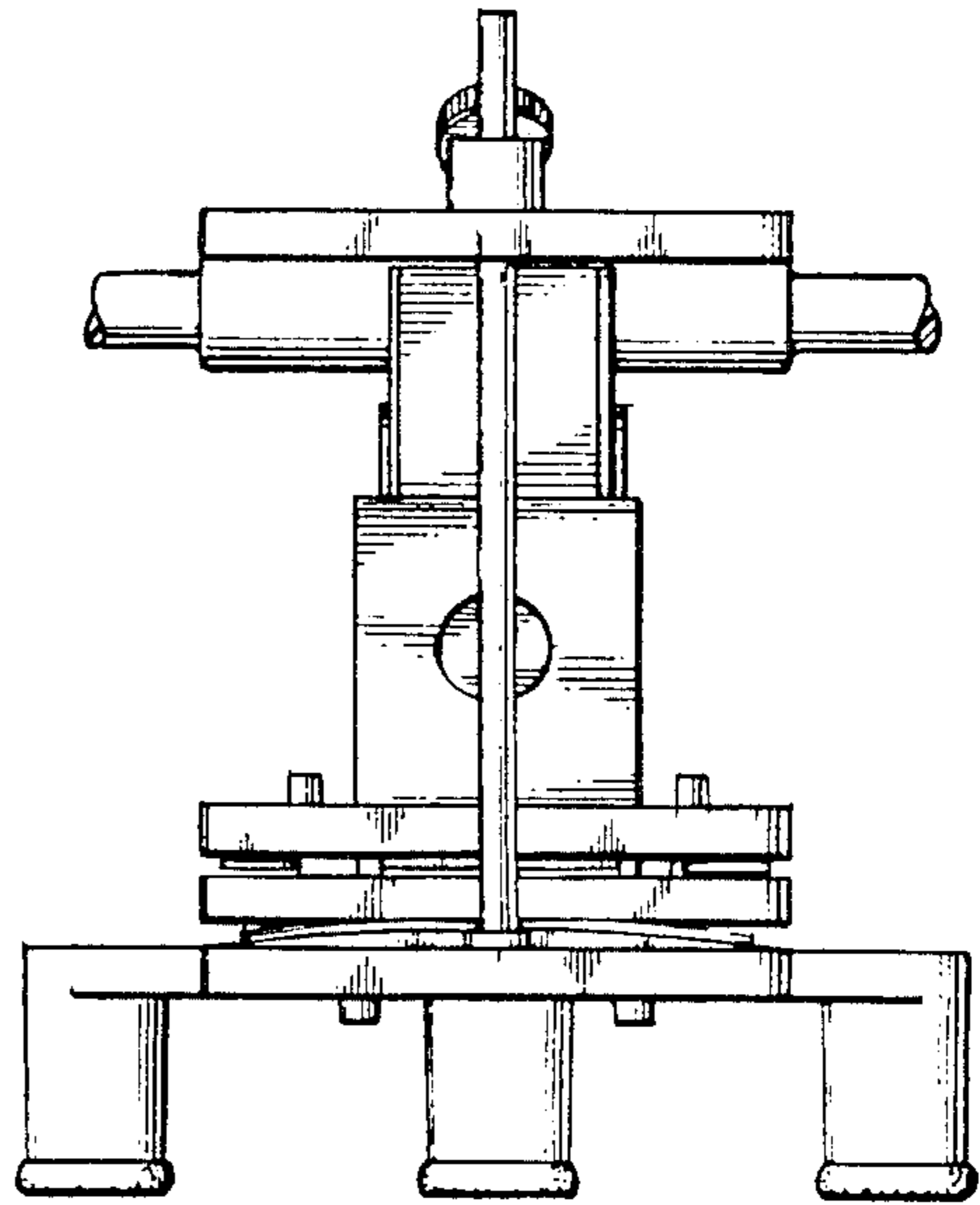


FIG. 4.

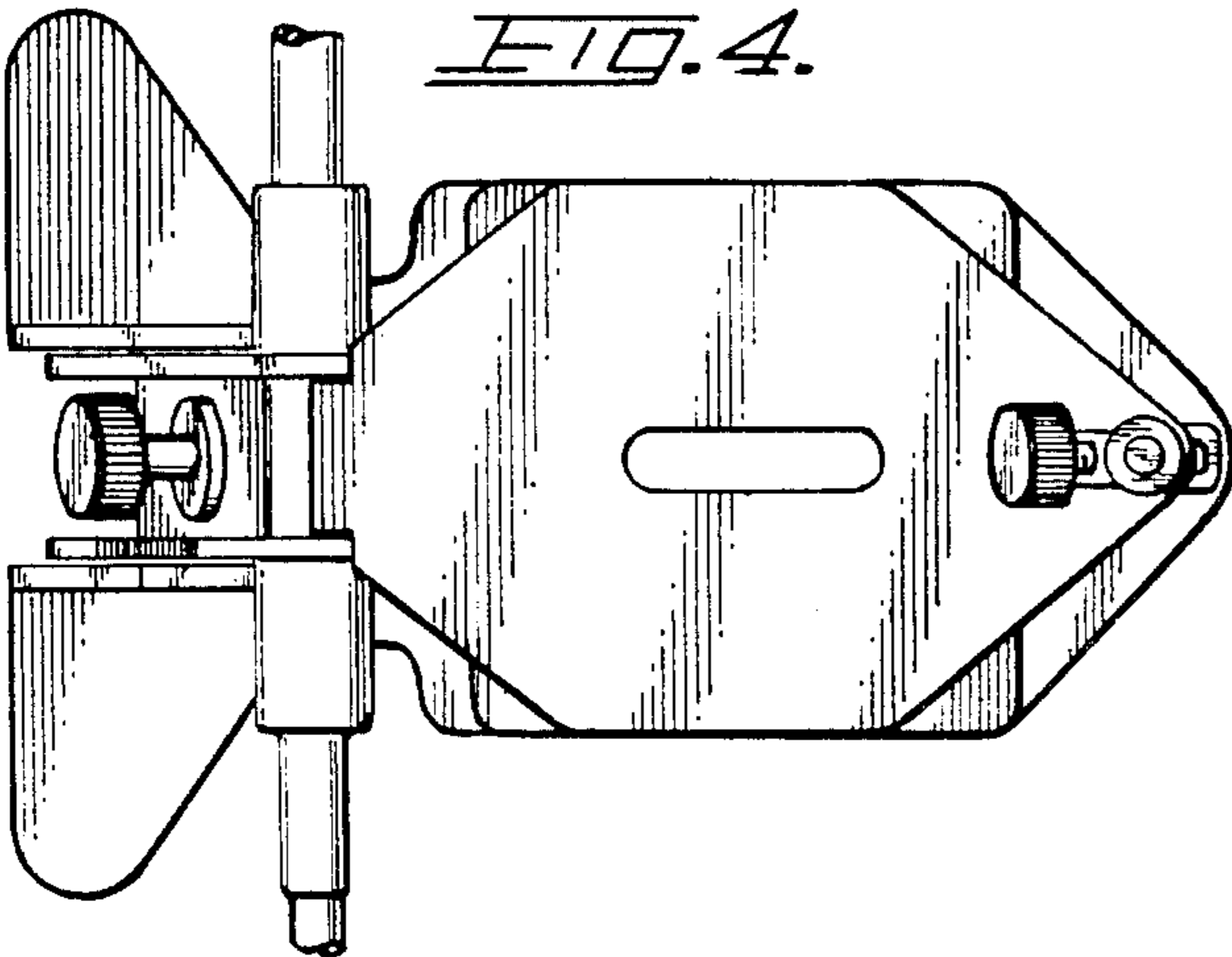


FIG. 3.

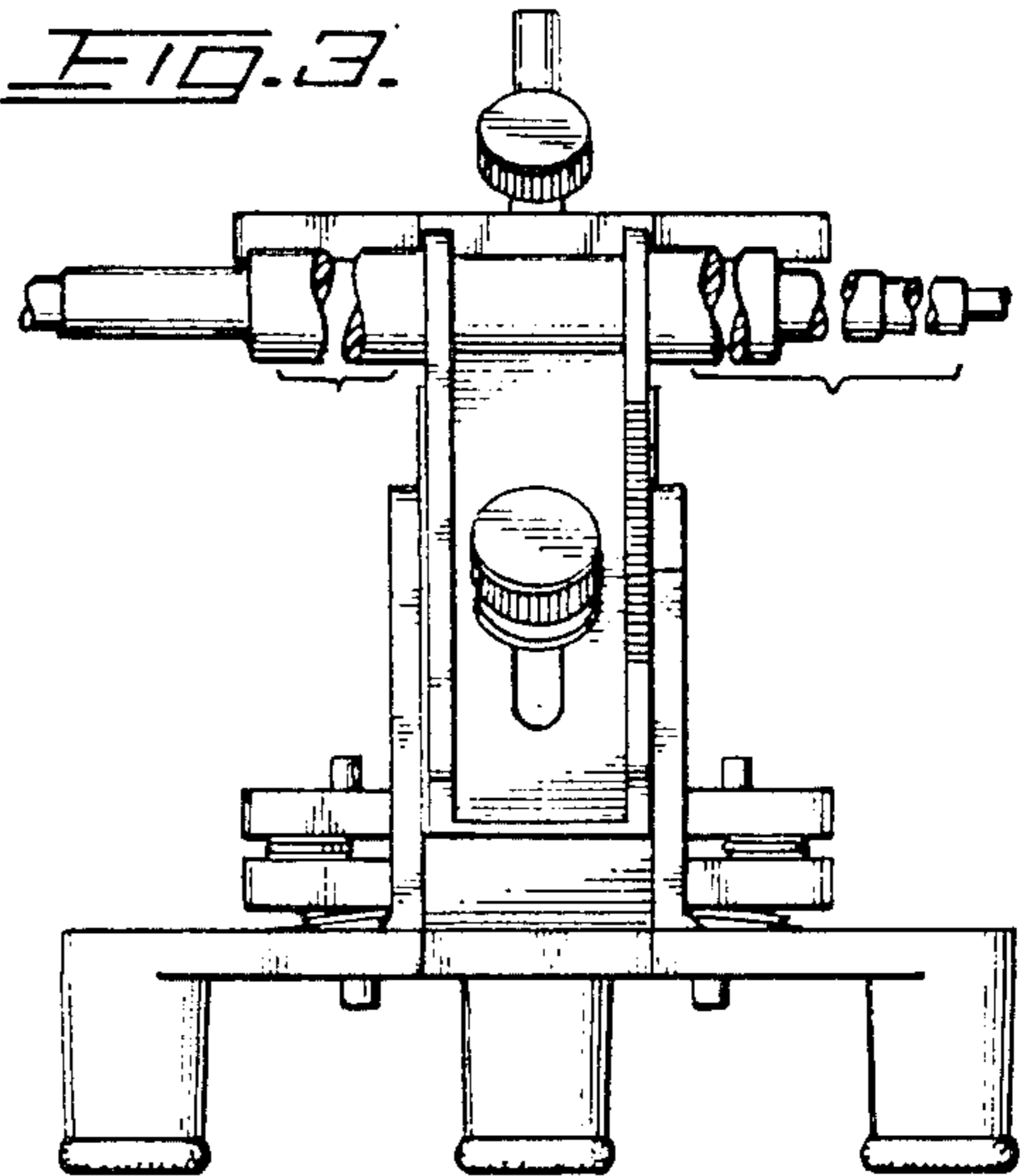


FIG. 5.

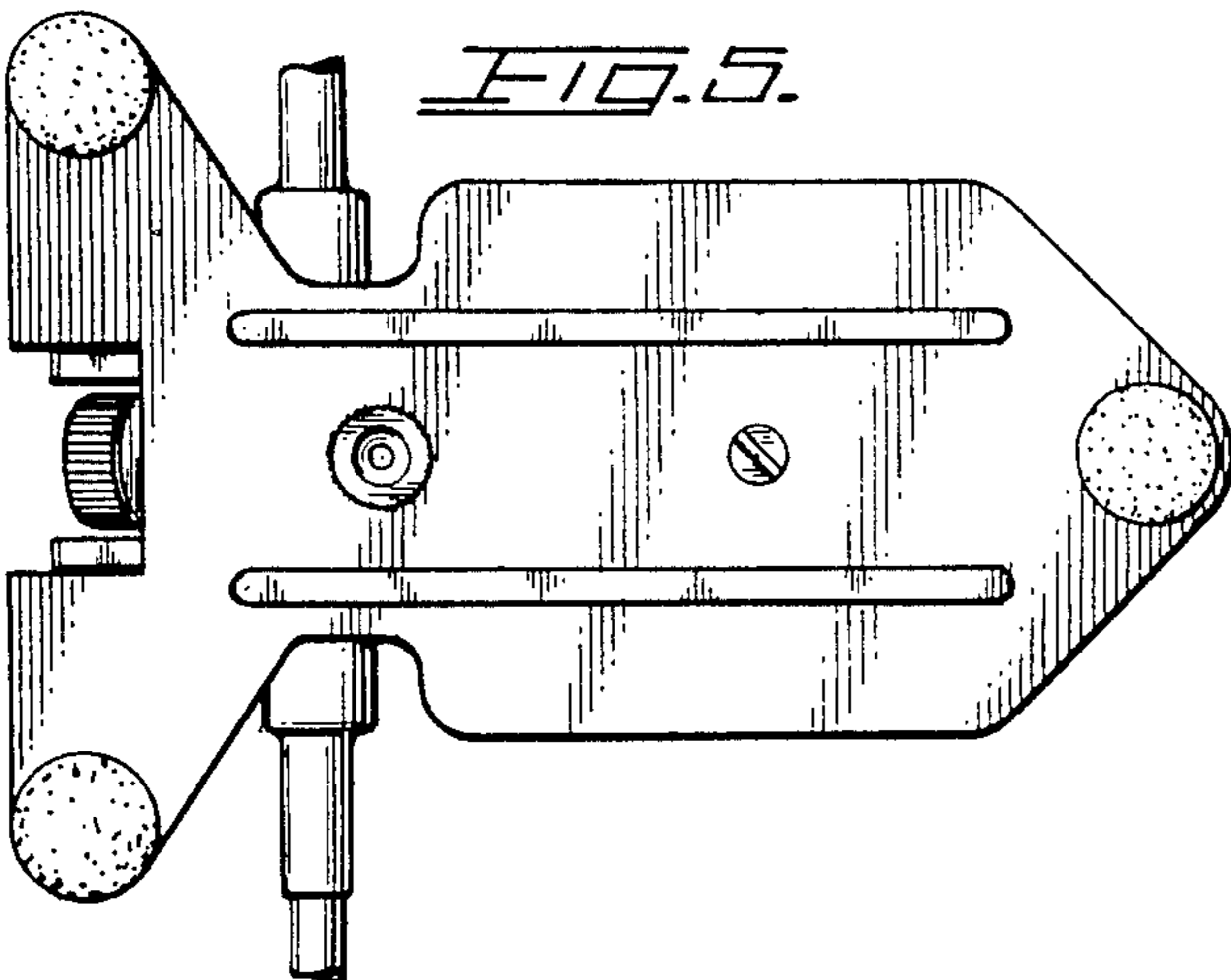
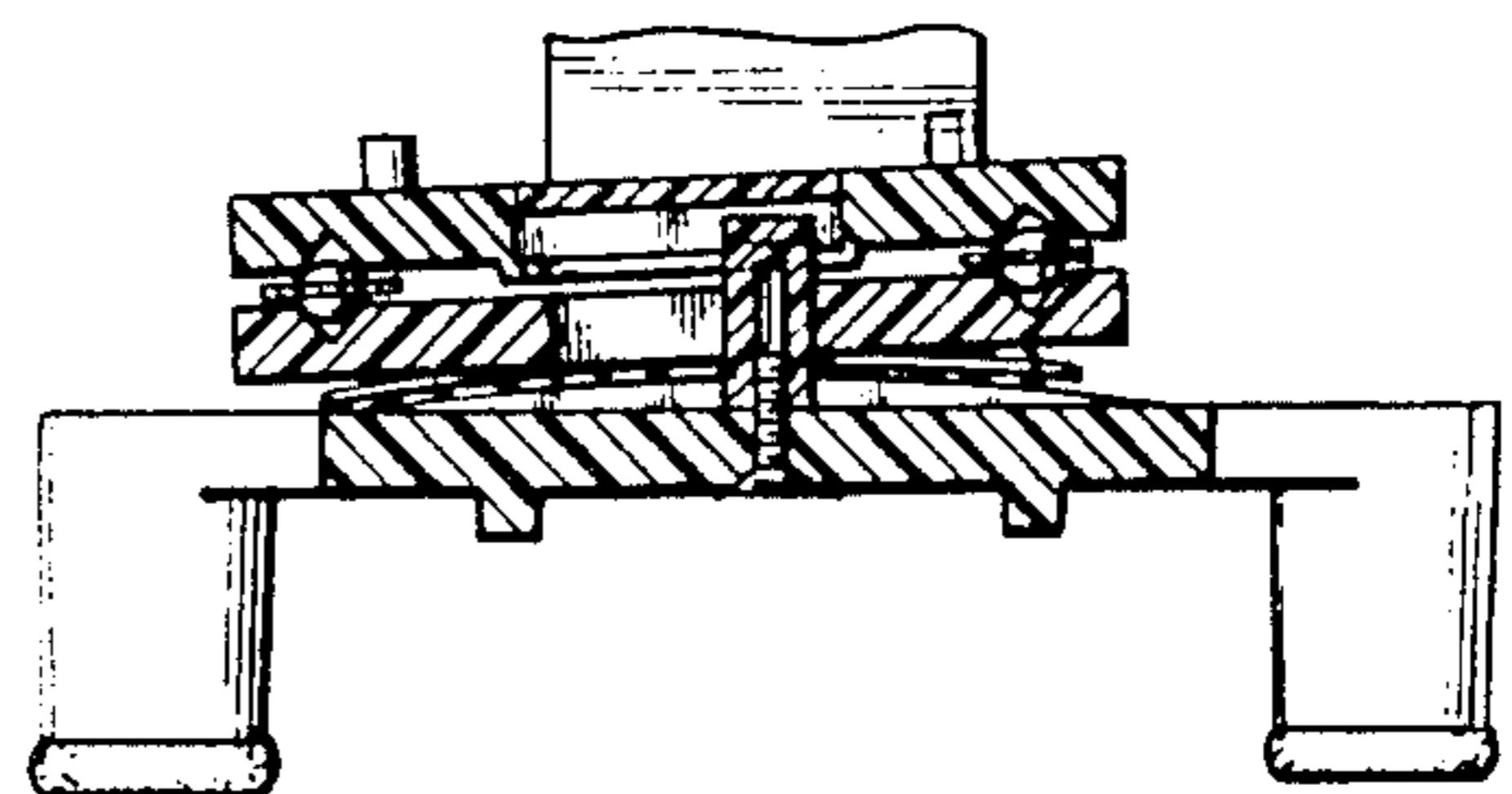


FIG. 6.



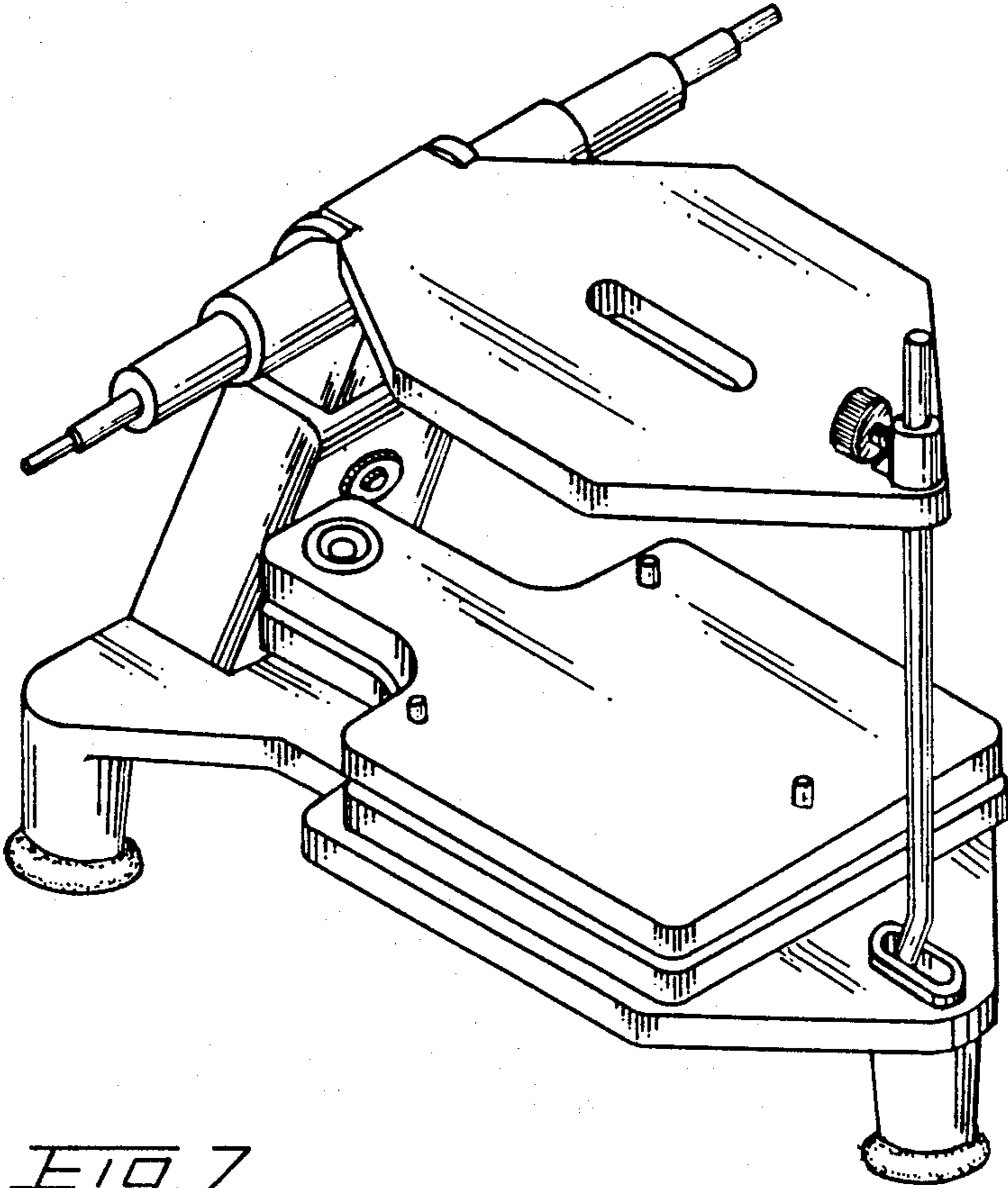


FIG. 7.