

United States Patent [19]

Cellini

[11] Patent Number: **Des. 279,812**

[45] Date of Patent: **** Jul. 23, 1985**

- [54] **BARREL FOR FIREARMS**
- [76] Inventor: **Vito Cellini, 3115 Old Ranch Rd., San Antonio, Tex. 78217**
- [**] Term: **14 Years**
- [21] Appl. No.: **471,484**
- [22] Filed: **Mar. 2, 1983**
- [52] U.S. Cl. **D22/7**
- [58] Field of Search **42/76 R, 77, 78, 79, 42/15, 59; D22/1, 6, 7, 8**

4,297,801 11/1981 Kahn 42/77 X
 4,316,339 2/1982 Herriott 42/77 X

Primary Examiner—A. Hugo Word

[57] CLAIM

The ornamental design for a barrel for firearms, as shown and described.

DESCRIPTION

FIG. 1 is a perspective view of a barrel for firearms, showing my new design.
 FIG. 2 is a front elevational view.
 FIG. 3 is a side elevational view.
 FIG. 4 is a top plan view.
 FIG. 5 is a bottom plan view; and
 FIG. 6 is a rear end view.
 The side elevational view not shown in the same as FIG. 3.

[56] **References Cited**
U.S. PATENT DOCUMENTS

- 3,714,727 2/1973 Iino 42/79
- 4,008,538 2/1977 Center 42/78
- 4,228,606 10/1980 Casull 42/59

D22-108

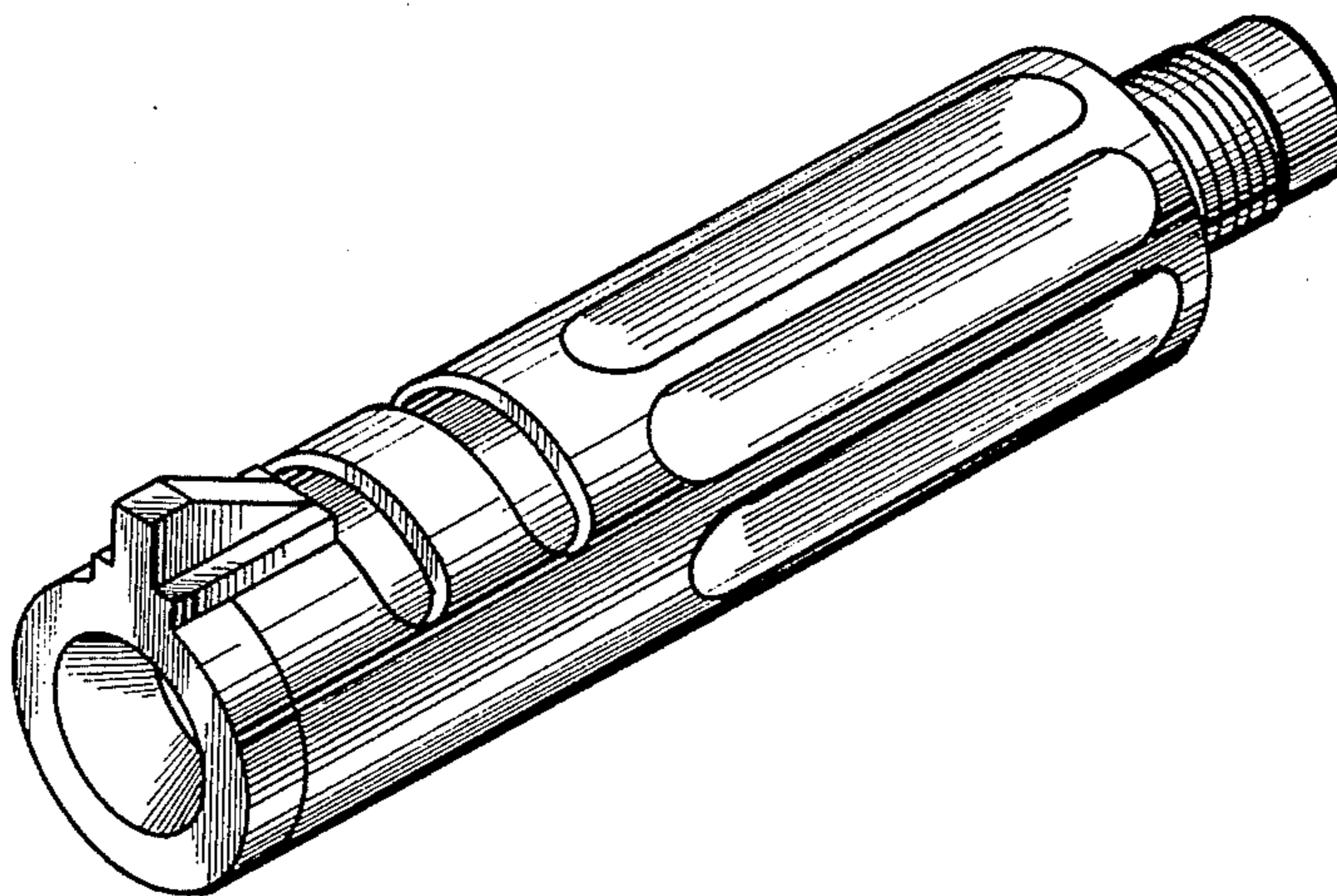


Fig. 1.

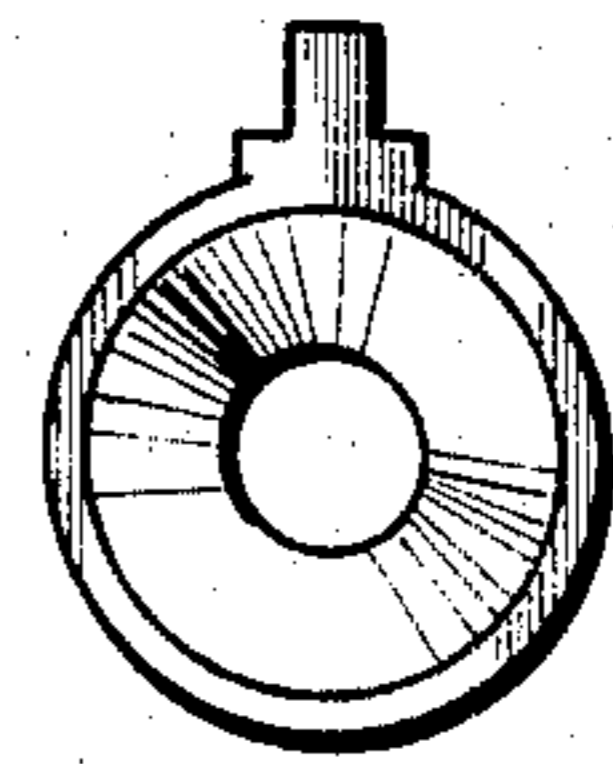
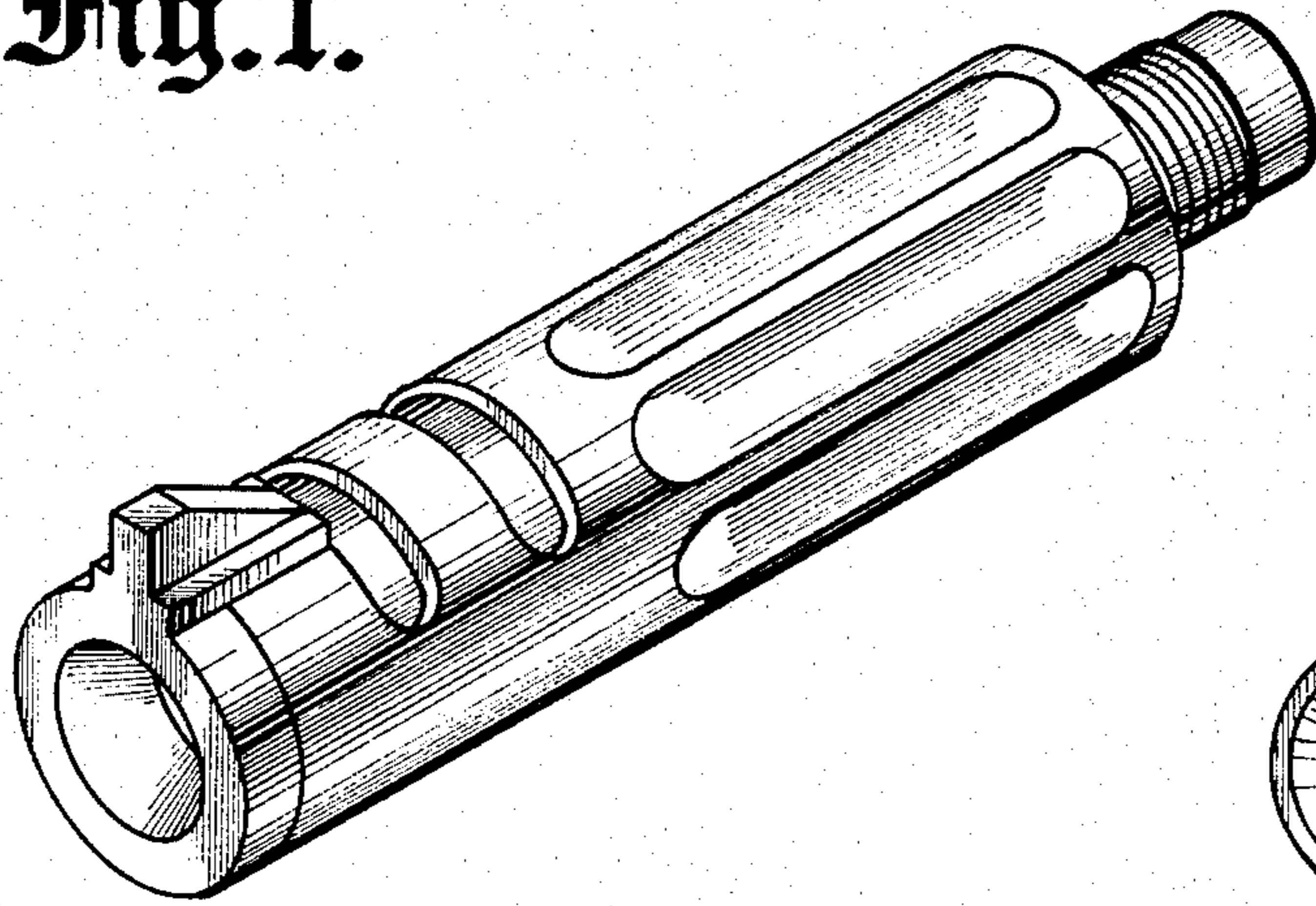


Fig. 2.

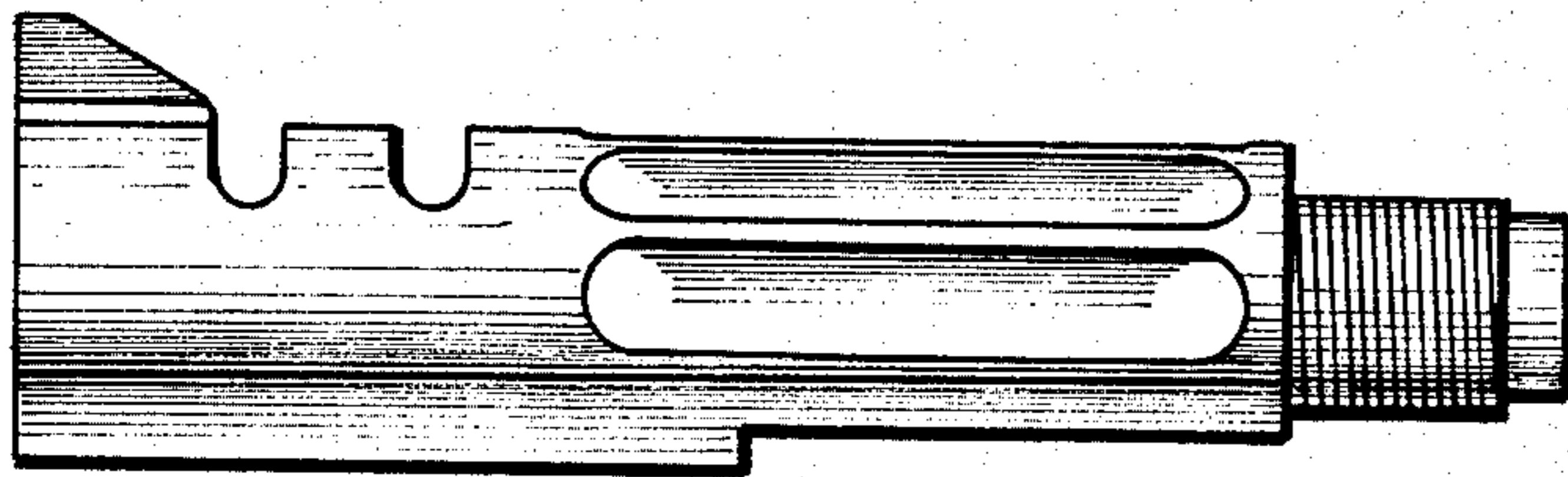


Fig. 3.

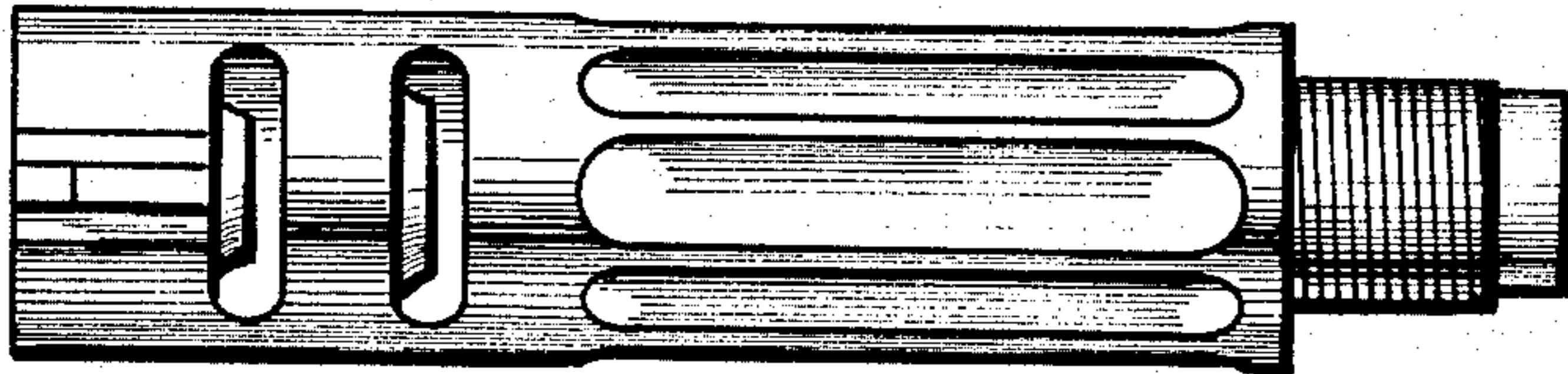


Fig. 4.

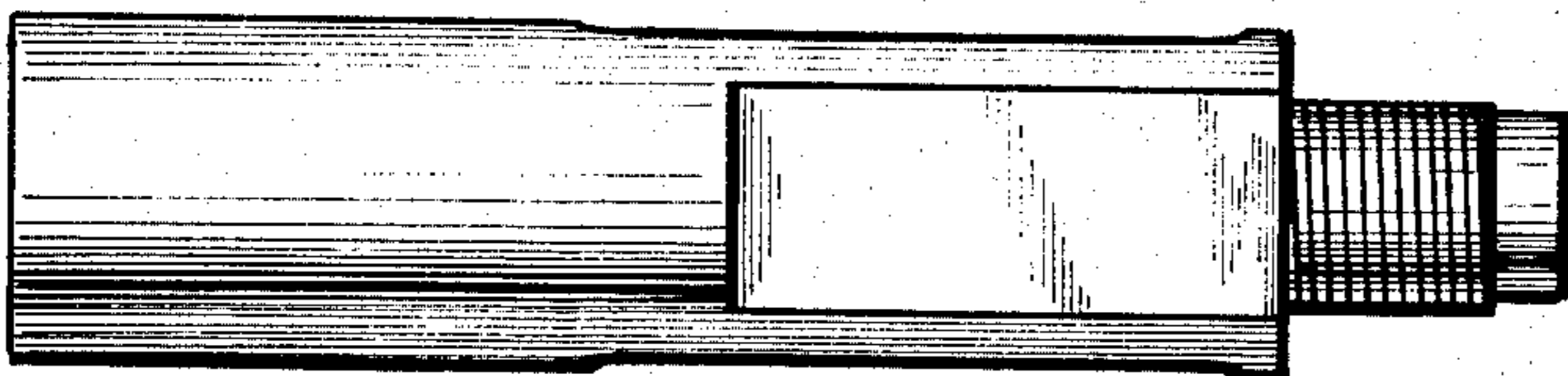


Fig. 5.

Fig. 6.

