

[54] **TOY CART FRAME**

[75] **Inventor:** Charles D. Anacker, 575 24th St.,
Hermosa Beach, Calif. 90254

[73] **Assignee:** Charles D. Anacker, Hermosa Beach,
Calif.

[**] **Term:** 14 Years

[21] **Appl. No.:** 484,182

[22] **Filed:** Apr. 12, 1983

[52] **U.S. Cl.** D21/141; D21/134;
D34/24

[58] **Field of Search** D6/491, 329; D34/12,
D34/24; D21/134, 140, 141

[56] **References Cited**

U.S. PATENT DOCUMENTS

D. 108,633	3/1938	Whitehead	D6/388
D. 179,897	3/1957	Humphreys	D34/24
D. 219,581	12/1970	Parsons	D34/24
D. 262,300	12/1981	Lundy	D21/134

Primary Examiner—Bruce W. Dunkins
Attorney, Agent, or Firm—William W. Haefliger

[57] **CLAIM**

The ornamental design for a toy cart frame, substantially as shown and described.

DESCRIPTION

FIG. 1 is a front elevation of the toy cart frame, the rear elevation being same;
FIG. 2 is a left side elevation of the toy cart frame;
FIG. 3 is a right side elevation of the toy cart frame; and
FIG. 4 is a top plan view of the toy cart frame.

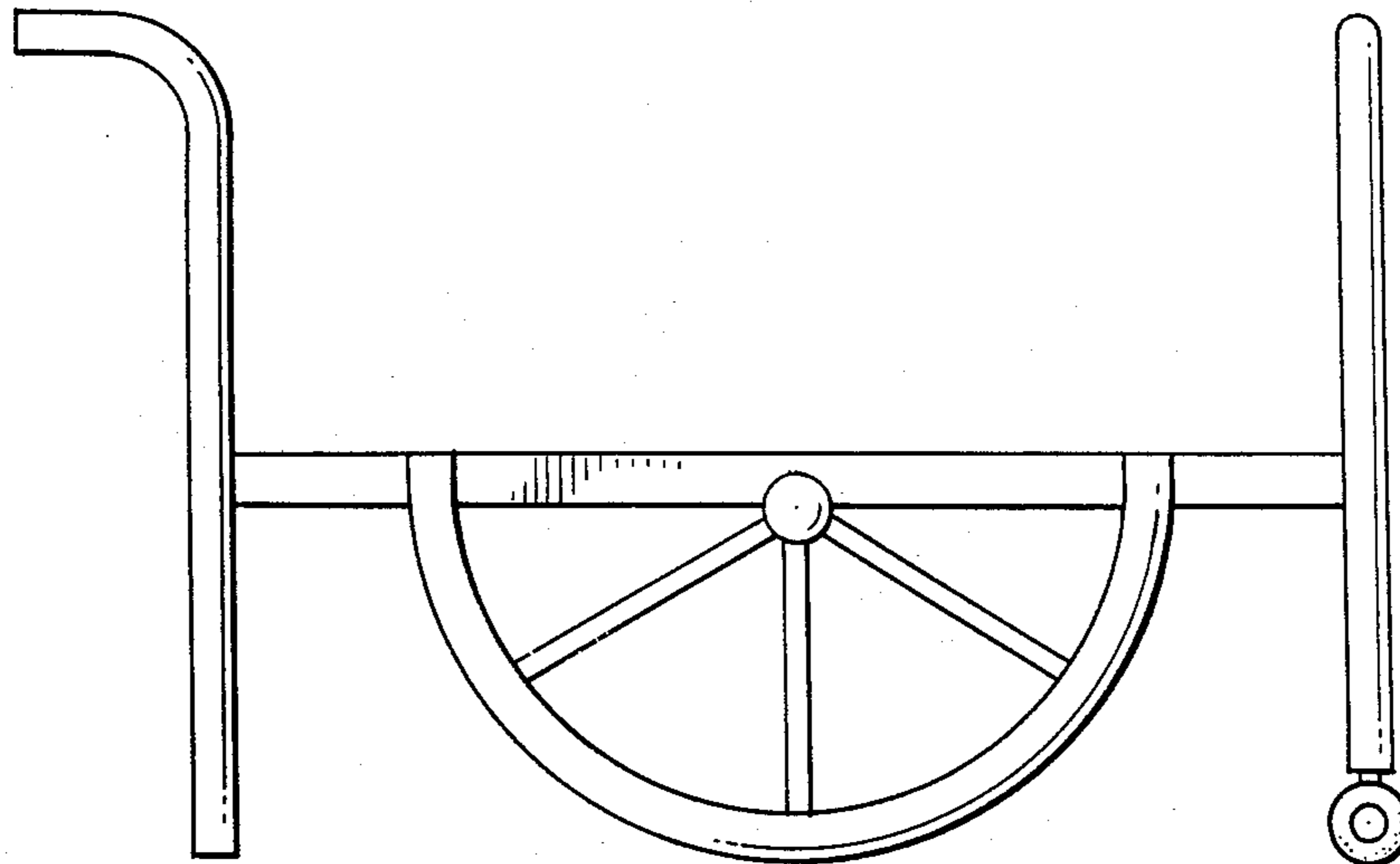


FIG. 1.

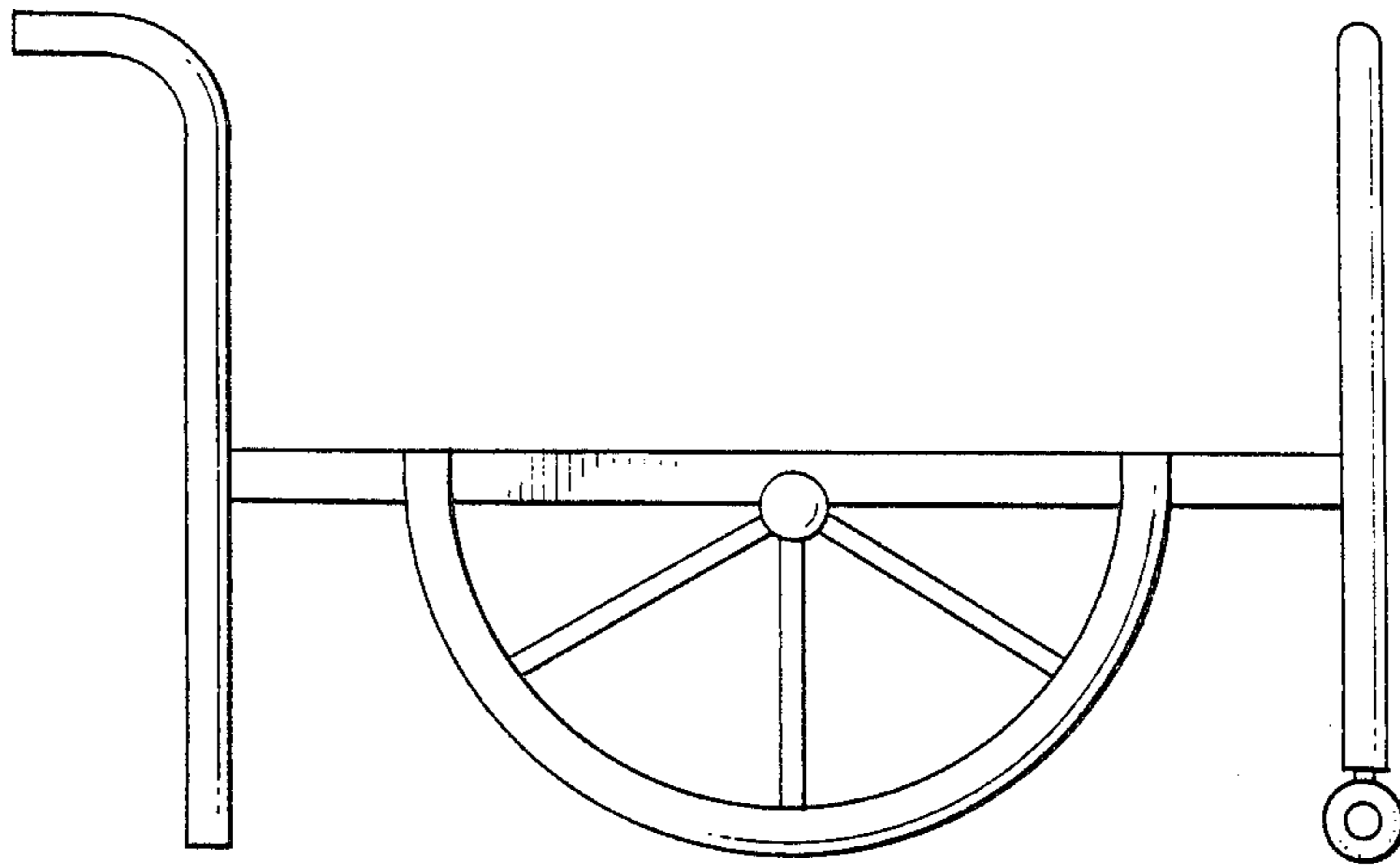


FIG. 2.

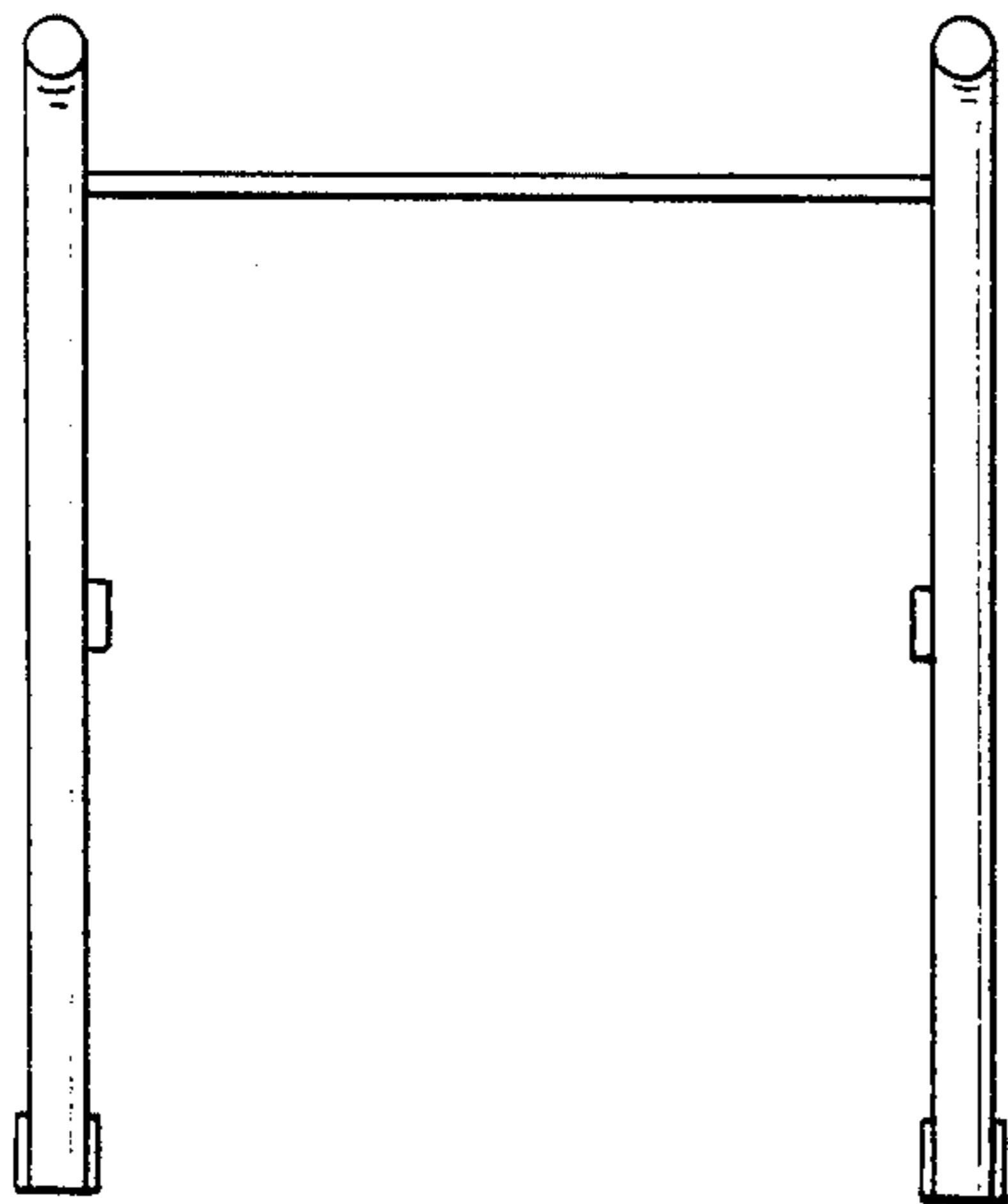


FIG. 3.

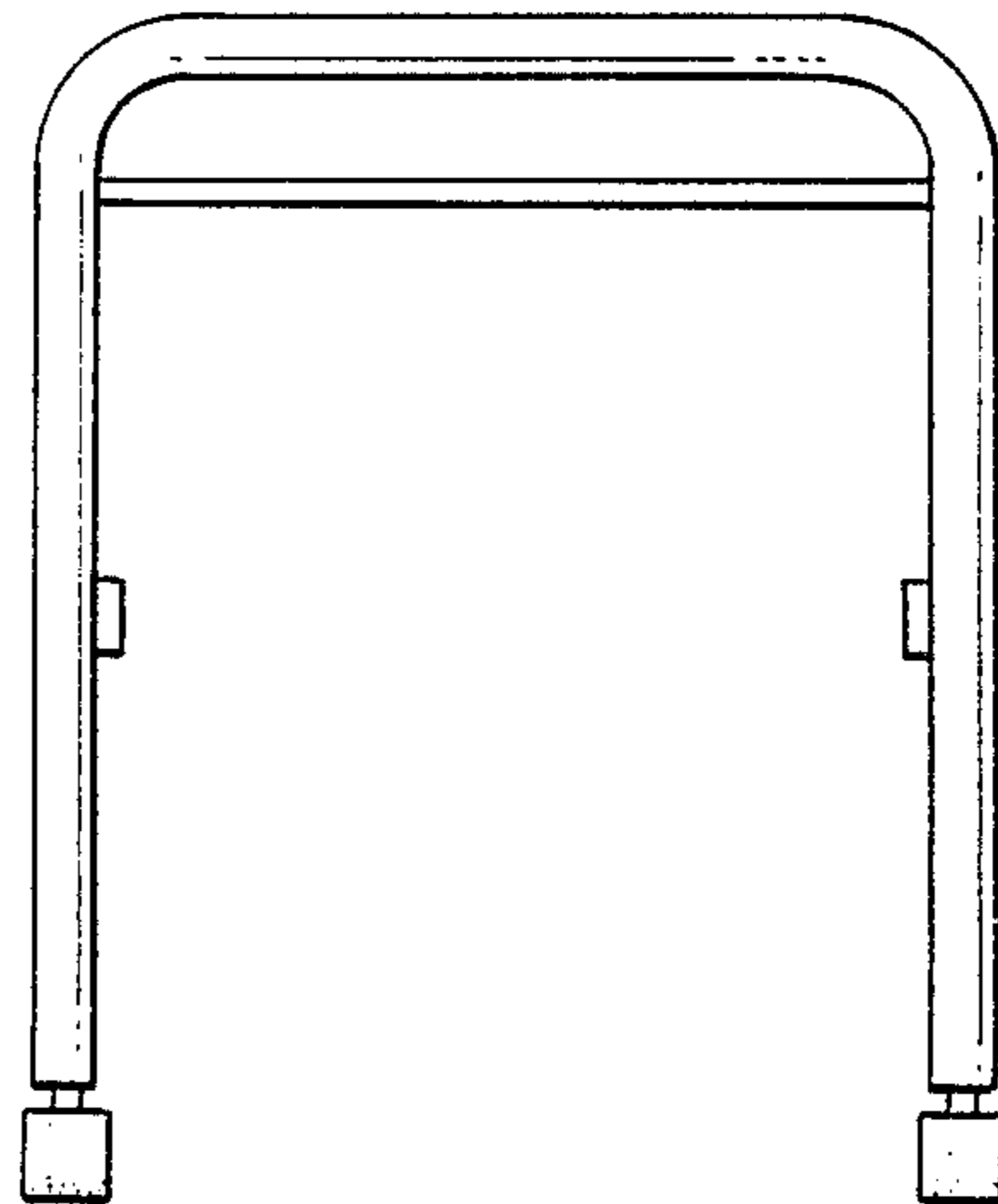


FIG. 4.

