

[54] RECONFIGURABLE TOY PLANE

[75] Inventor: Kouzin Ohno, Tokyo, Japan

[73] Assignee: Takara Co., Ltd., Tokyo, Japan

[\*\*] Term: 14 Years

[21] Appl. No.: 593,559

[22] Filed: Mar. 26, 1984

[30] Foreign Application Priority Data

Mar. 10, 1983 [JP] Japan ..... 58-34757

[52] U.S. Cl. .... D21/87; D21/150; D21/166

[58] Field of Search ..... D21/82, 83, 87, 88, D21/89, 90, 128, 150, 166; D12/319, 320, 321, 335, 343; 446/71, 72, 75, 76, 77, 487

[56] References Cited

U.S. PATENT DOCUMENTS

- D. 249,380 9/1978 Wetherell ..... D21/83
- D. 261,286 10/1981 Breneman ..... D21/87
- D. 275,122 8/1984 Murakami ..... D21/150

FOREIGN PATENT DOCUMENTS

- 5284520 1/1980 Japan ..... 446/487
- 2122908 1/1984 United Kingdom ..... 446/487

2128489 2/1984 United Kingdom ..... 446/487

OTHER PUBLICATIONS

Ichimura & Co., Ltd., Toy Catalog, 1980, p. 15, #20878, Jet Fighter Toy.

Primary Examiner—Charles A. Rademaker  
Attorney, Agent, or Firm—Joseph W. Price

[57] CLAIM

The ornamental design for a reconfigurable toy plane, substantially as shown and described.

DESCRIPTION

FIG. 1 as a top plan view of a reconfigurable toy plane showing my new design;  
 FIG. 2 is a front elevational view;  
 FIG. 3 is a bottom plan view;  
 FIG. 4 is a rear elevational view;  
 FIG. 5 is a right elevational side view which is a mirror image of the left elevational side view;  
 FIG. 6 as another top plan view showing the design of FIGS. 1 through 6 in a toy robot configuration;  
 FIG. 7 is a front elevational view;  
 FIG. 8 is a right elevational side view which is a mirror image of the left elevational side view;  
 FIG. 9 is a rear elevational view; and  
 FIG. 10 is a bottom plan view.

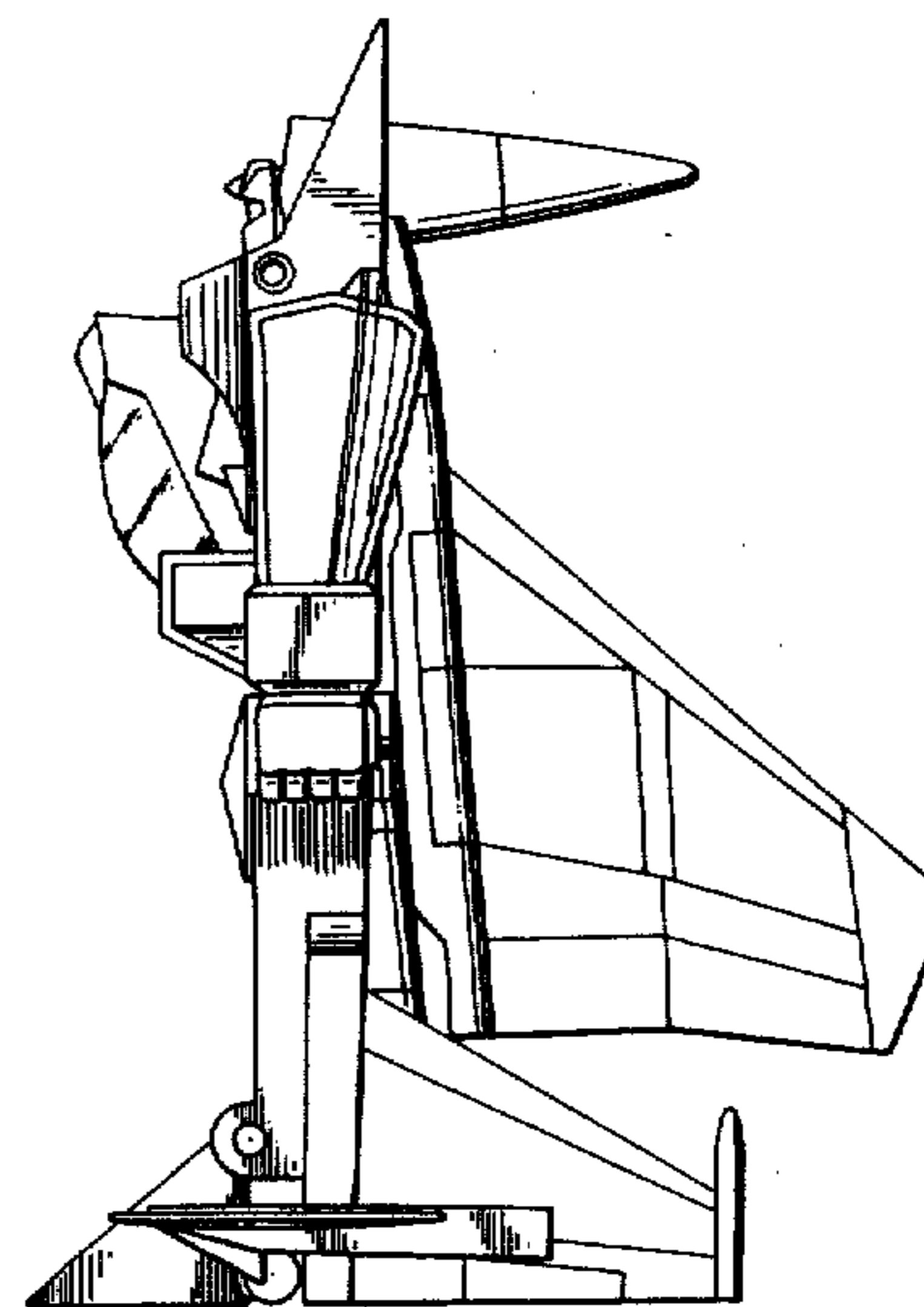
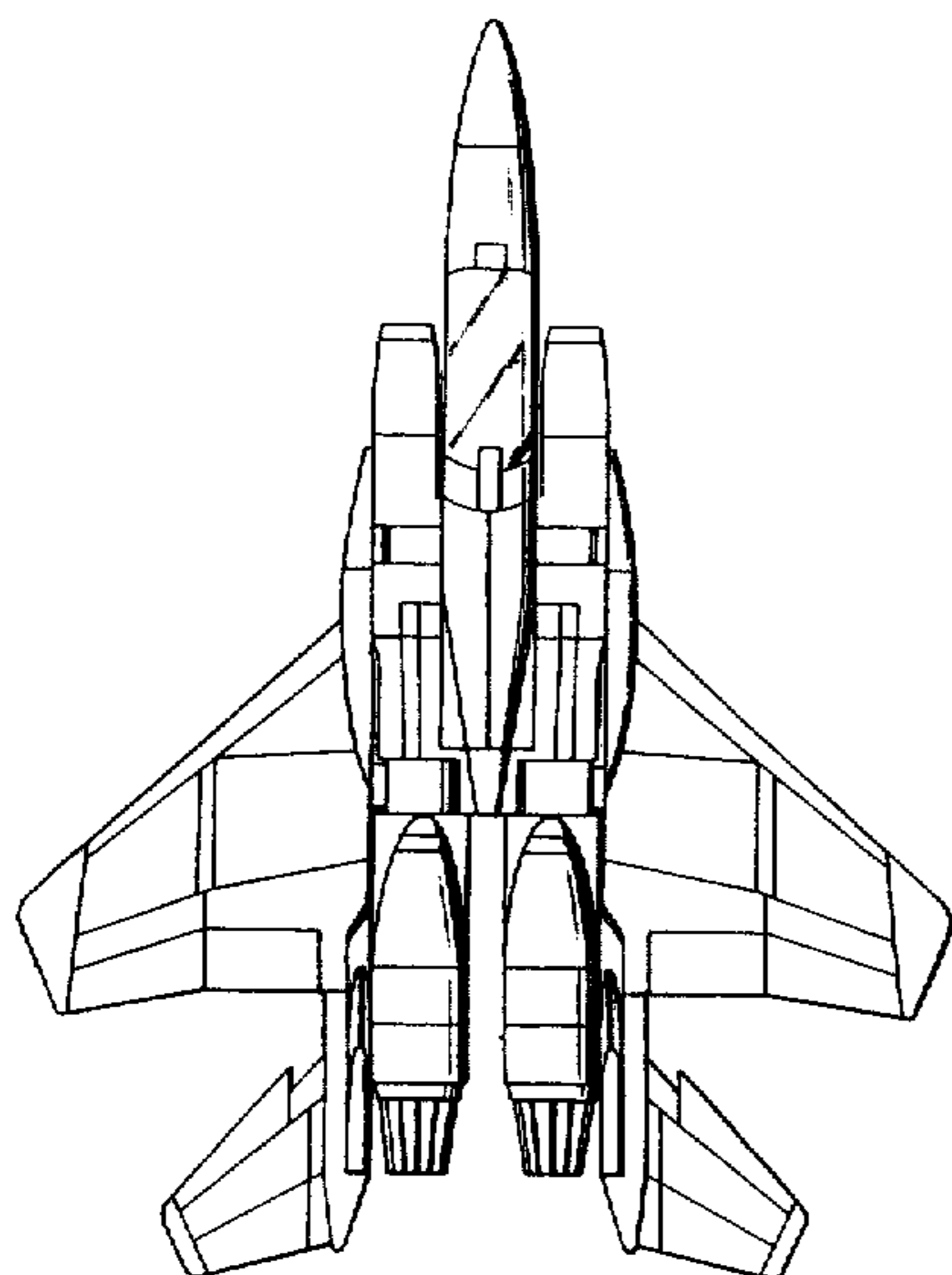


FIG. 1

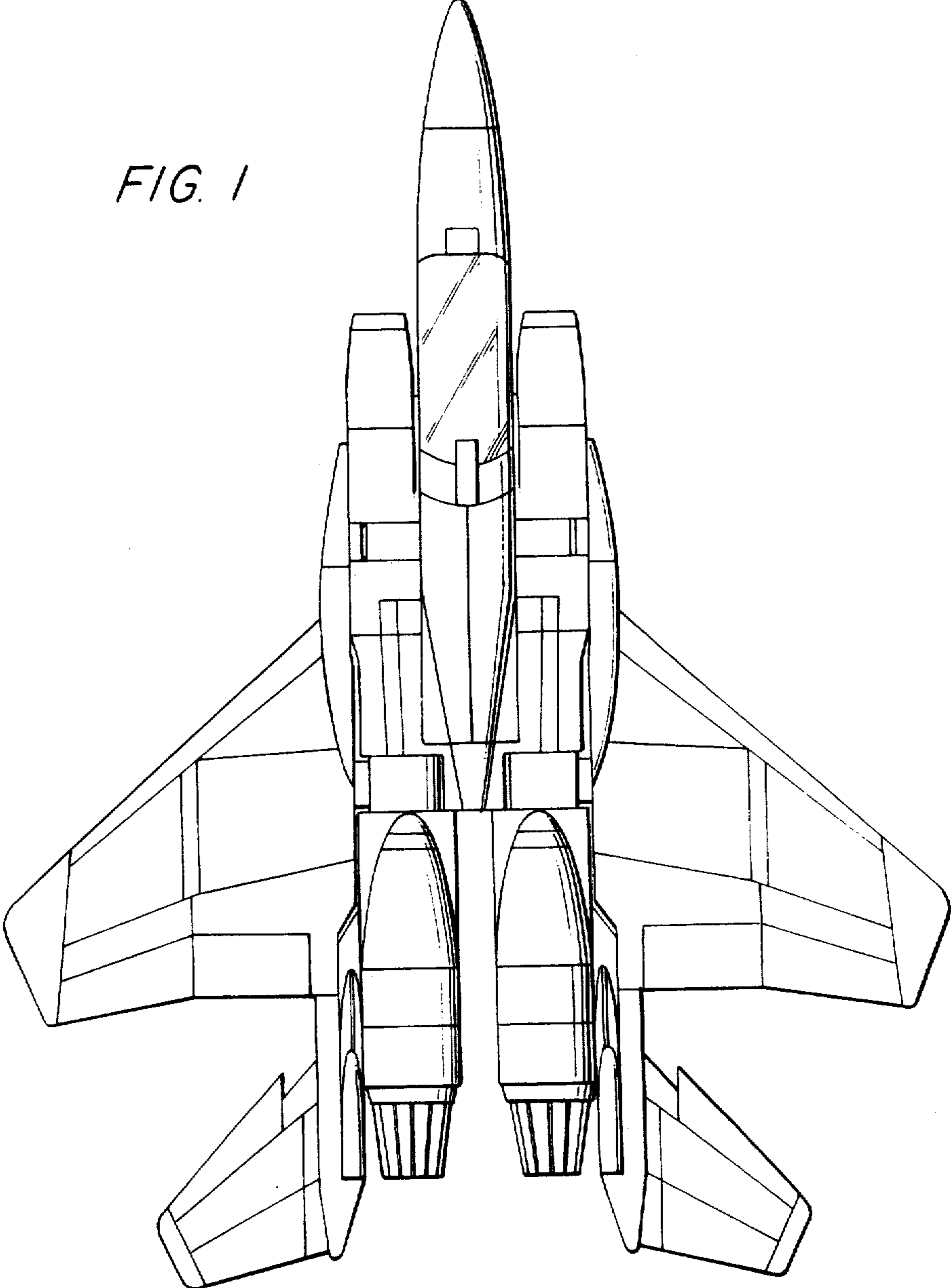
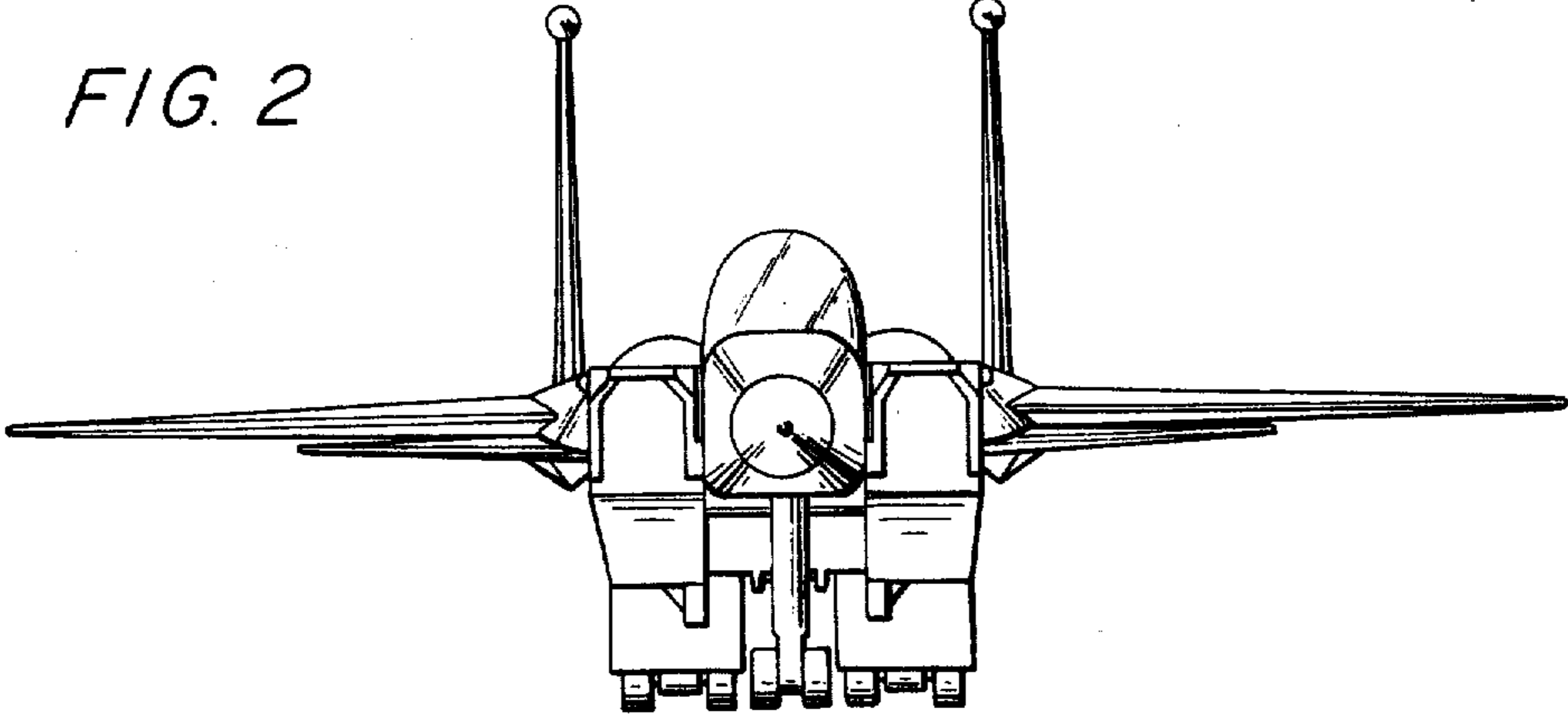


FIG. 2



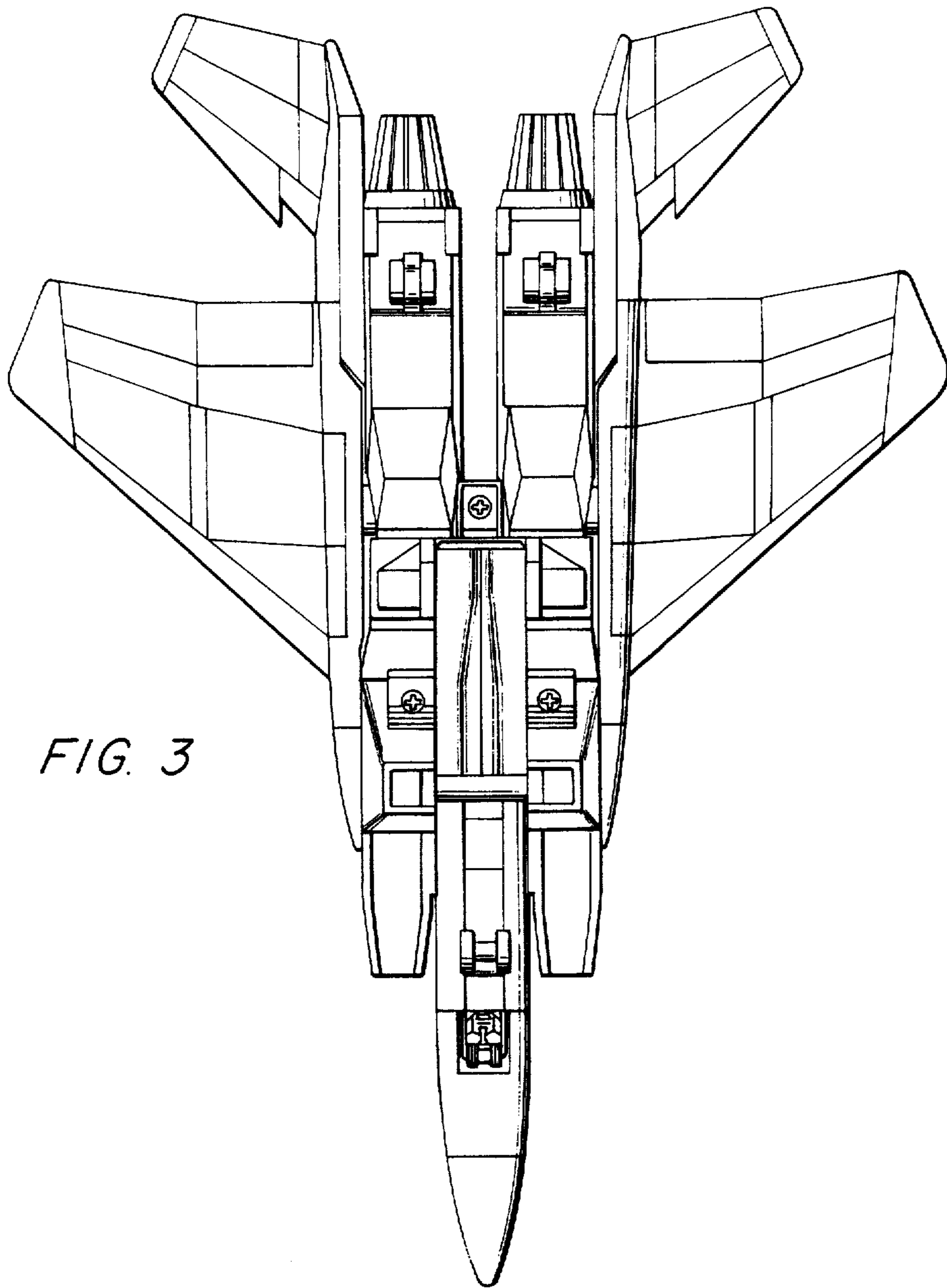


FIG. 3

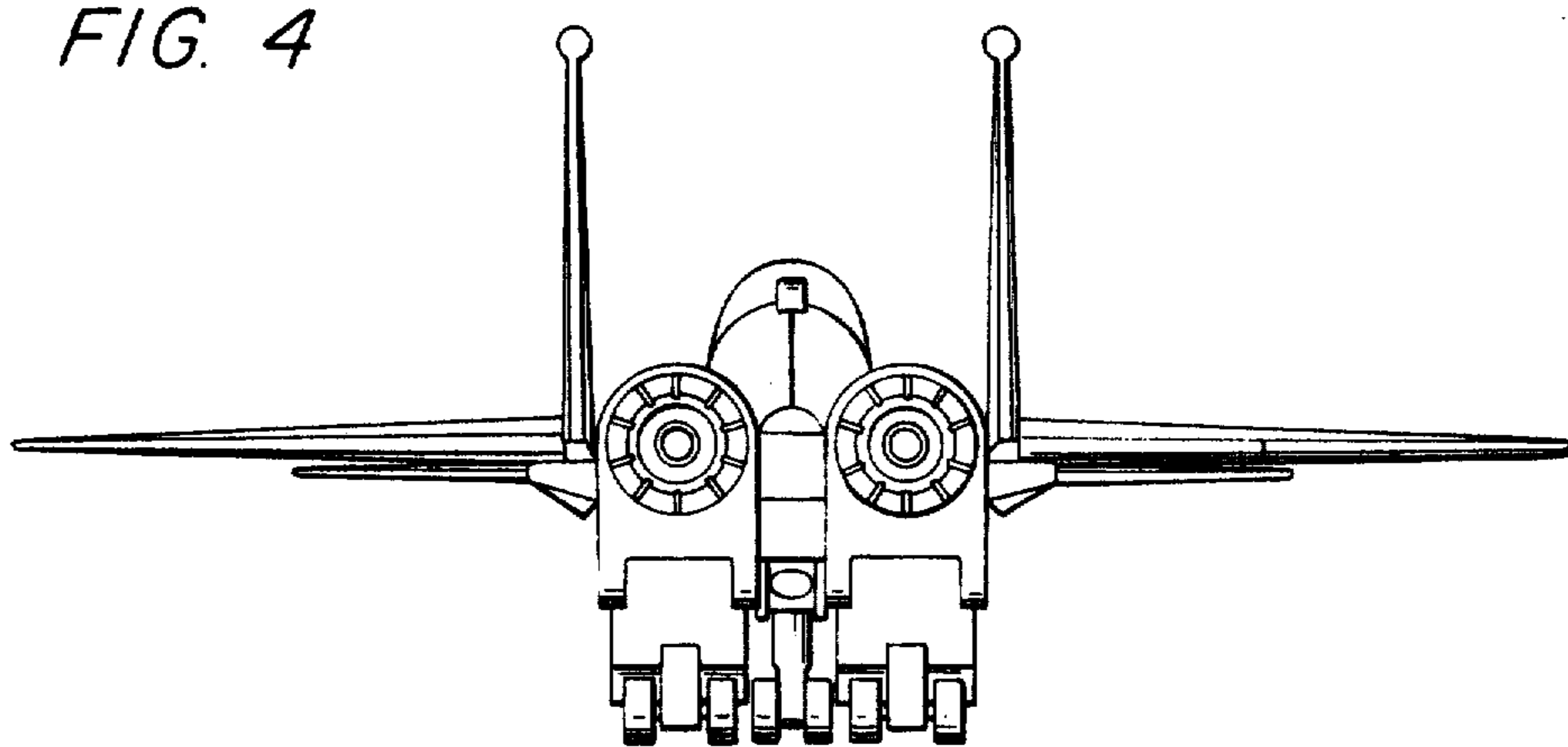


FIG. 4

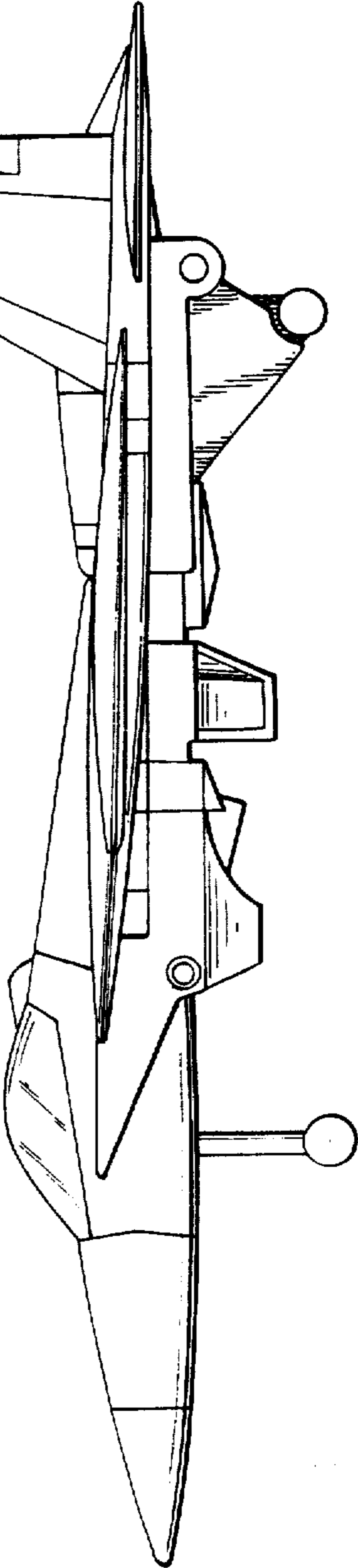
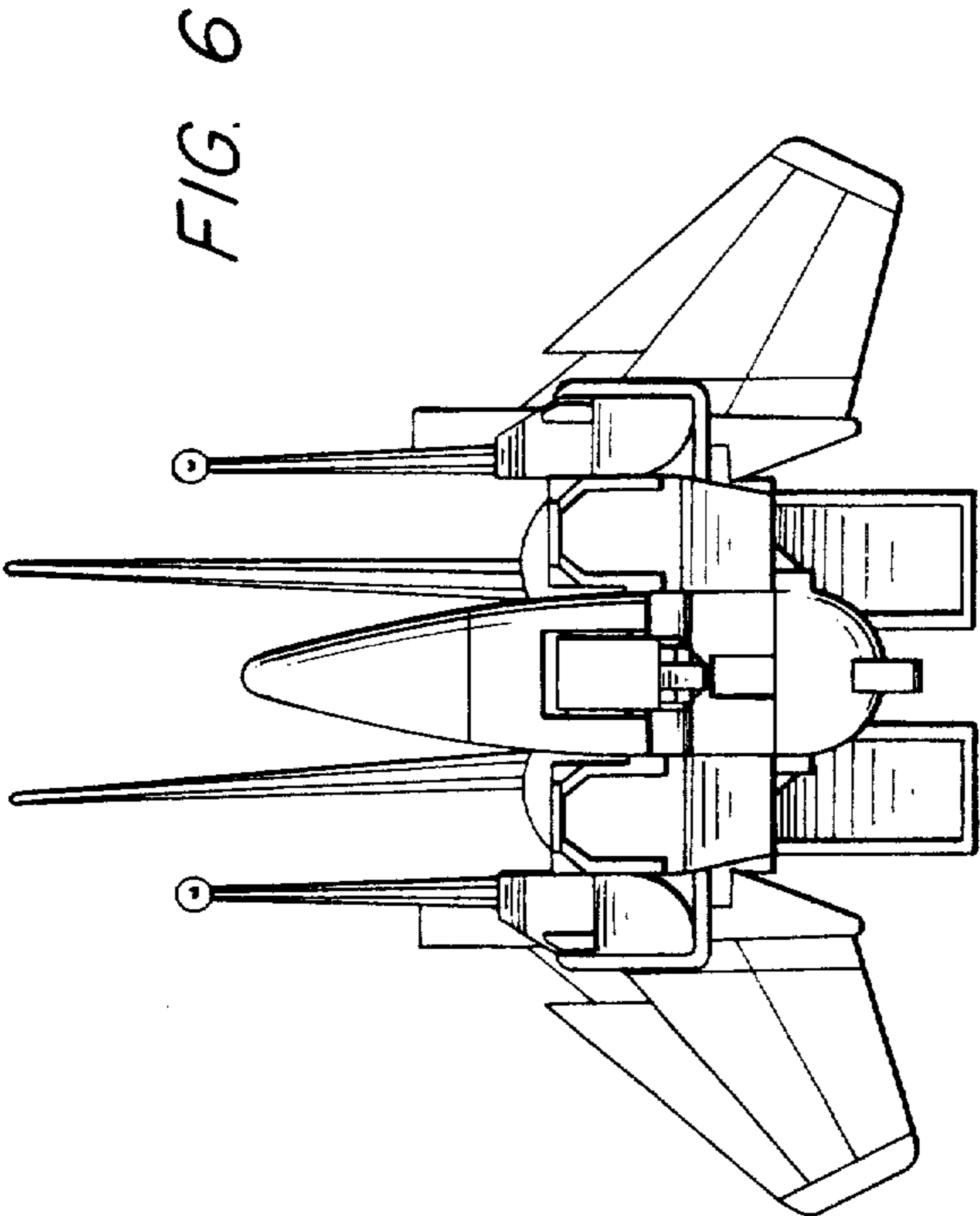


FIG. 6

FIG. 5

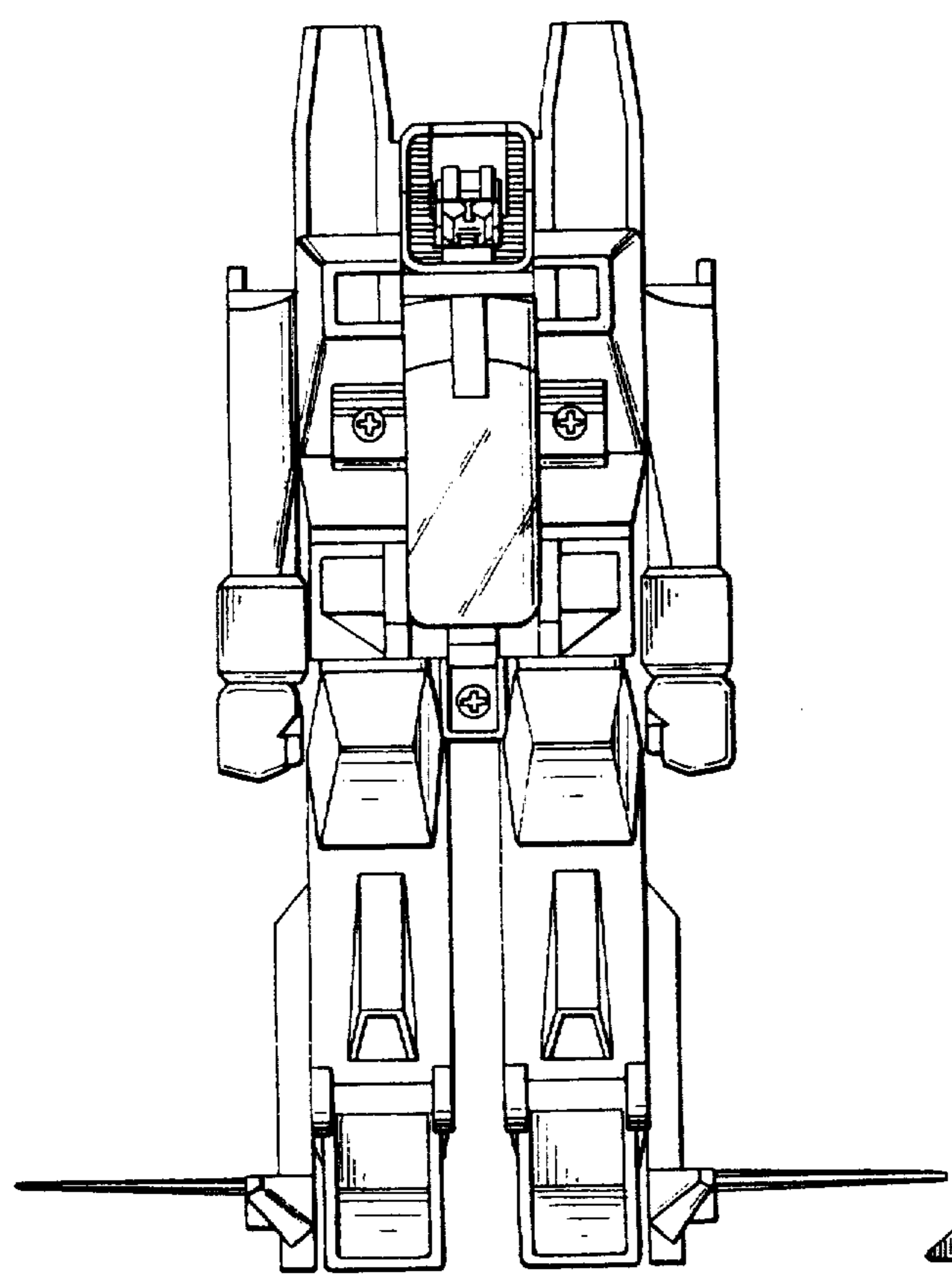


FIG. 7

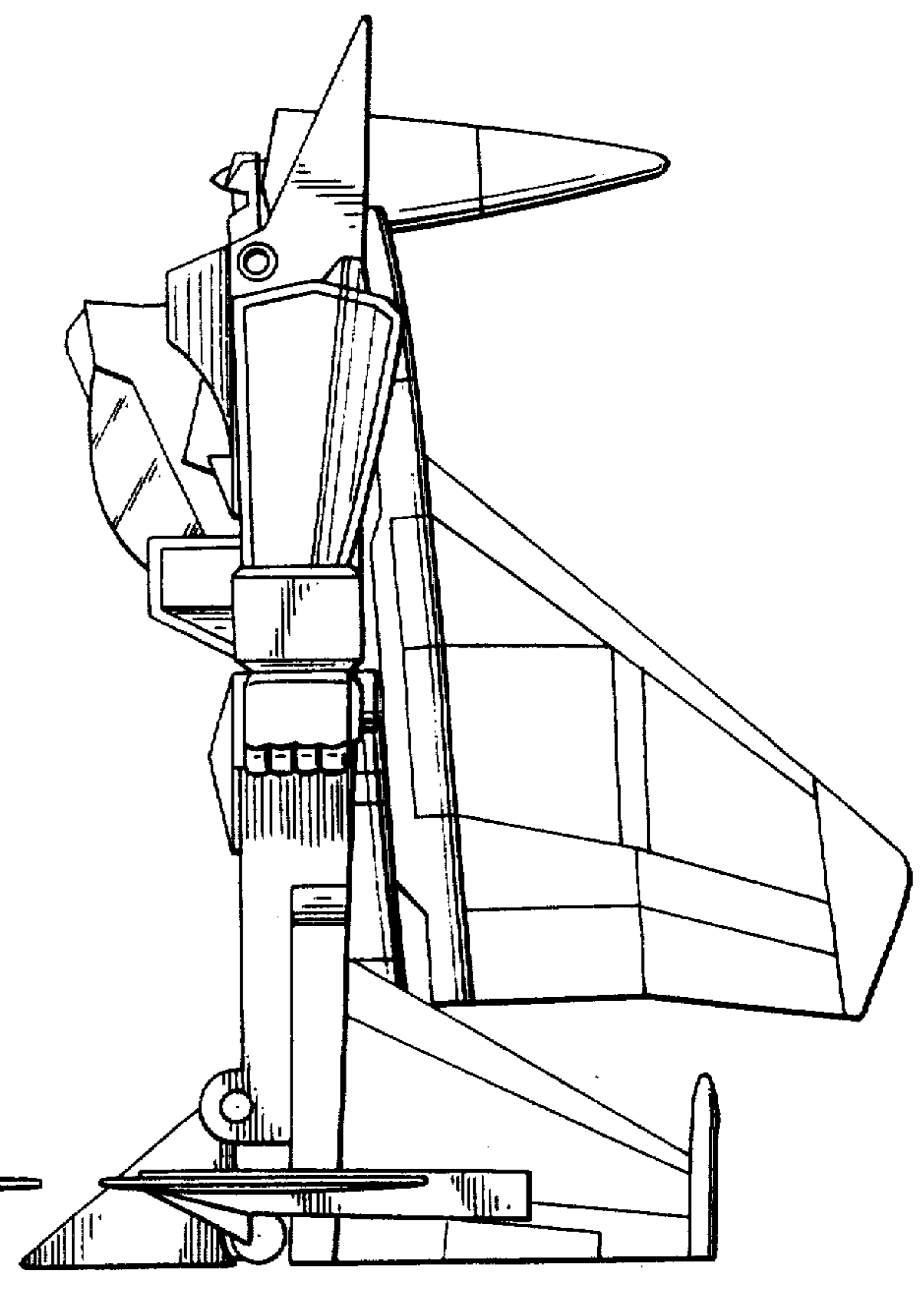


FIG. 8



FIG. 9

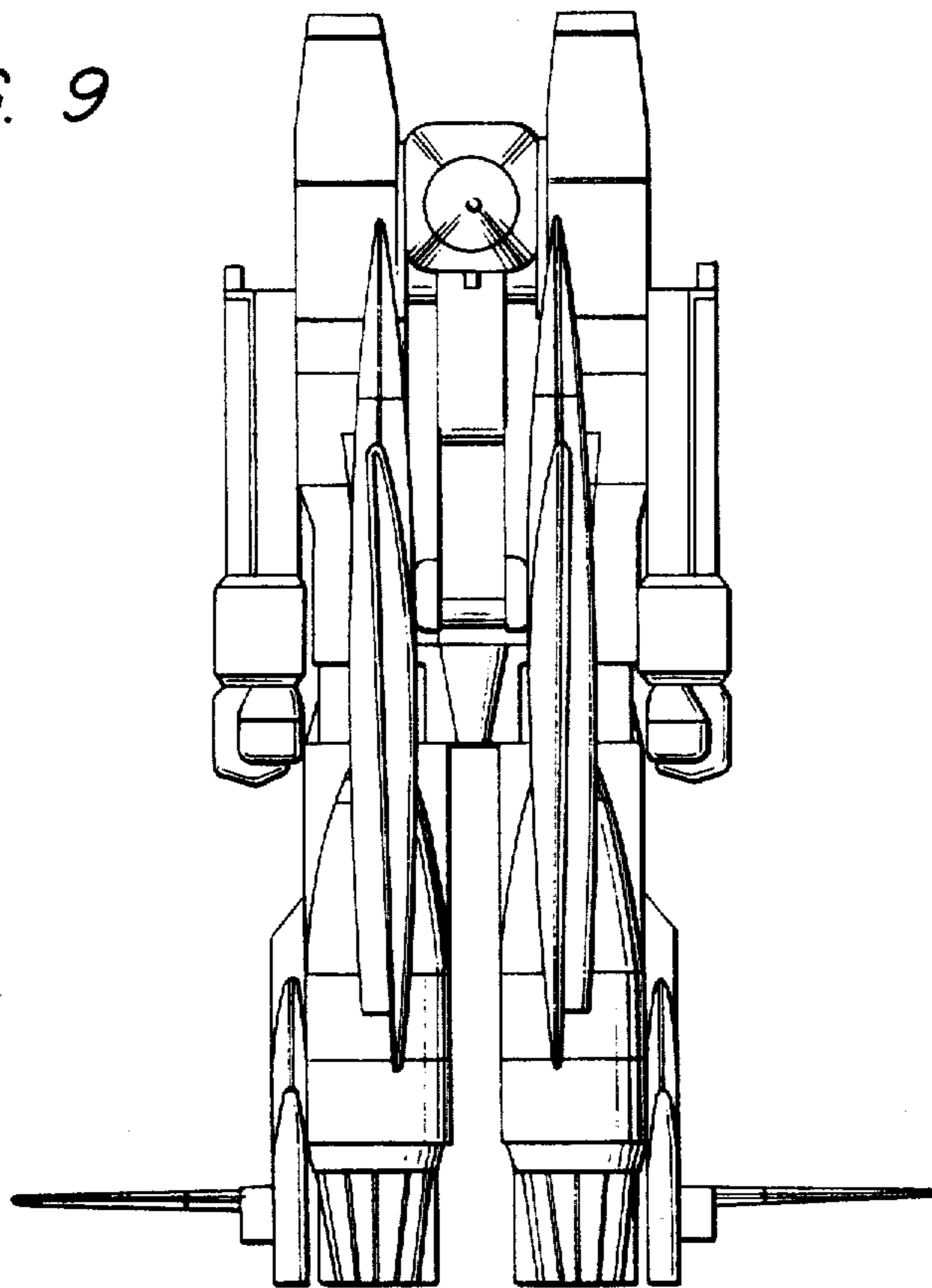


FIG. 10

