

[54] WATERPROOF BOX FOR A CAMERA

[76] Inventor: Henri Socias, Rte. de Lausanne 60, CH-1020 Renens-Lausanne, Switzerland

[**] Term: 14 Years

[21] Appl. No.: 480,347

[22] Filed: Mar. 30, 1983

[30] Foreign Application Priority Data

Sep. 30, 1982 [XH] Hague 72659

[52] U.S. Cl. D16/2

[58] Field of Search D16/1, 2, 5-10; 354/64, 121, 288

[56] References Cited

U.S. PATENT DOCUMENTS

- D. 177,640 5/1956 Petersen D16/2
- D. 182,751 5/1958 Wollman D16/2
- D. 212,834 11/1968 Soumar D16/2
- D. 217,742 6/1970 Masuyama D16/2

- D. 258,445 3/1981 Ooya D16/2
- D. 265,829 8/1982 Shimoda D16/2
- D. 275,491 9/1984 McClare D16/6

OTHER PUBLICATIONS

Eastman Kodak Brochure-2/82-3 pages-Disc. Cameras. Hanimex Brochure-Prior to 3/4/83-Underwater Housing at left-bottom.

Primary Examiner-Nelson C. Holtje
Attorney, Agent, or Firm-Browdy and Neimark

[57] CLAIM

The ornamental design for a waterproof box for a camera, as shown and described.

DESCRIPTION

FIG. 1 is a front and top-right perspective view of a waterproof box for a camera showing my new design; FIG. 2 is a right side elevational view thereof, the left side being a mirror image thereto; FIG. 3 is a front elevational view thereof; FIG. 4 is a rear elevational view thereof, and FIG. 5 is a bottom plan view thereof.

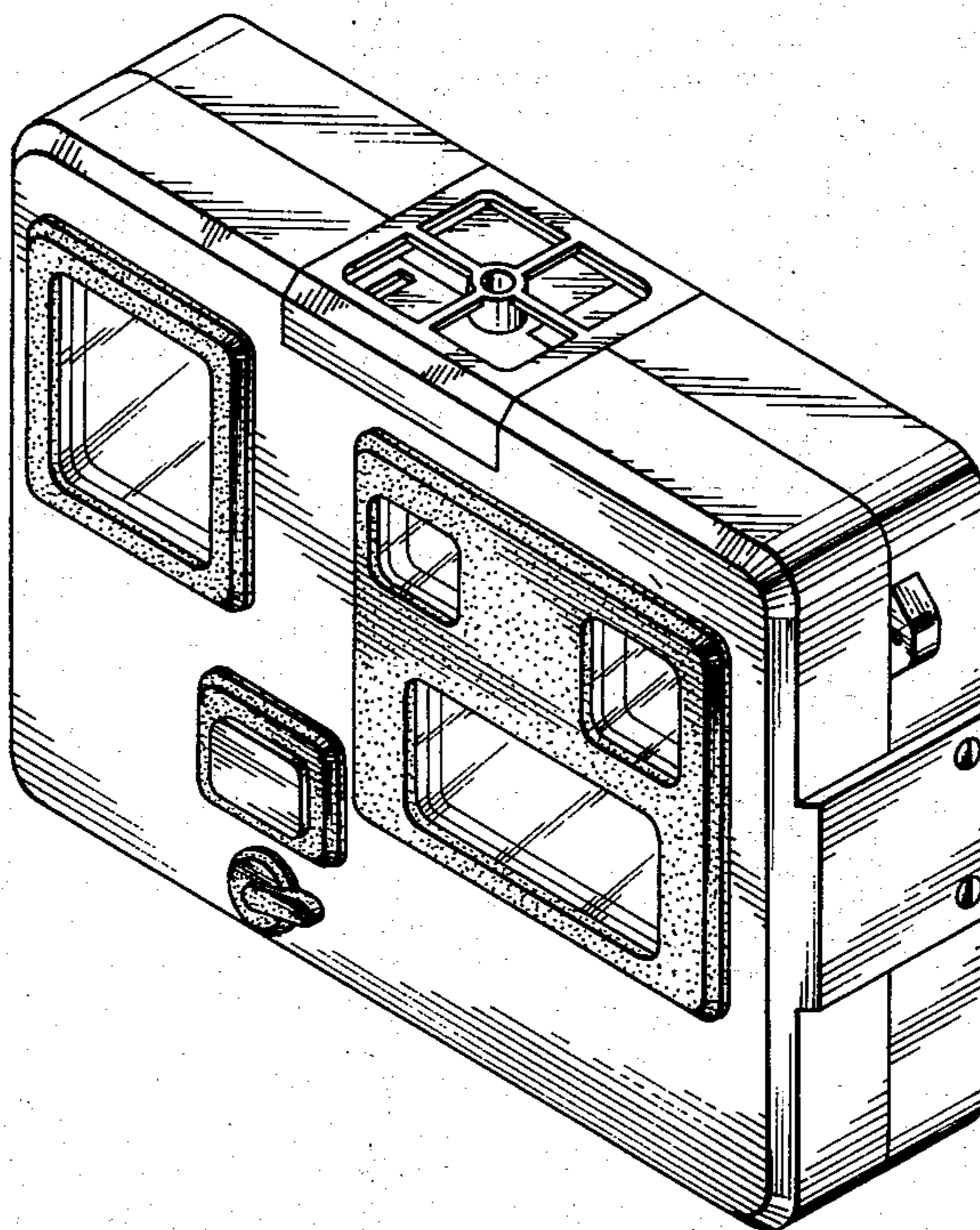


FIG. 2

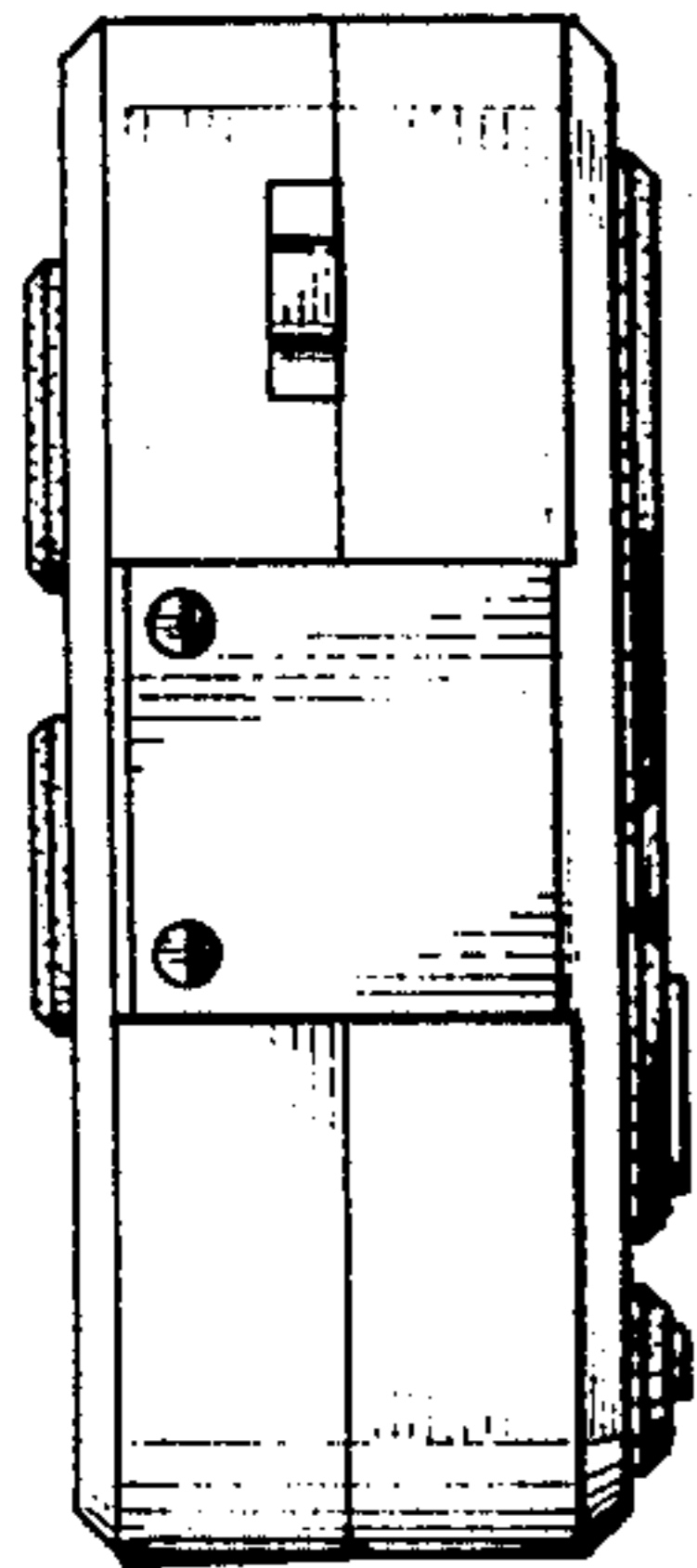


FIG. 1

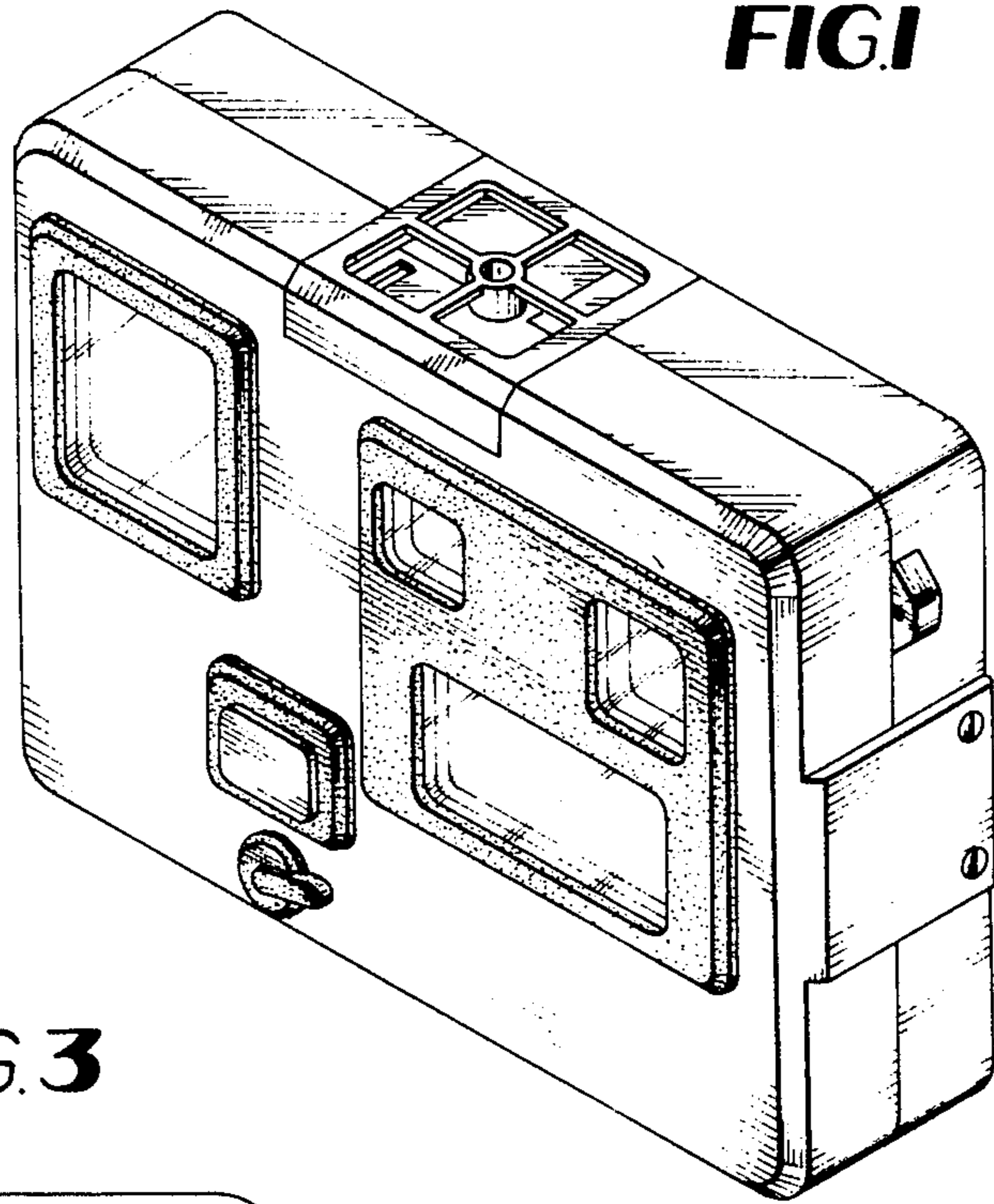


FIG. 3

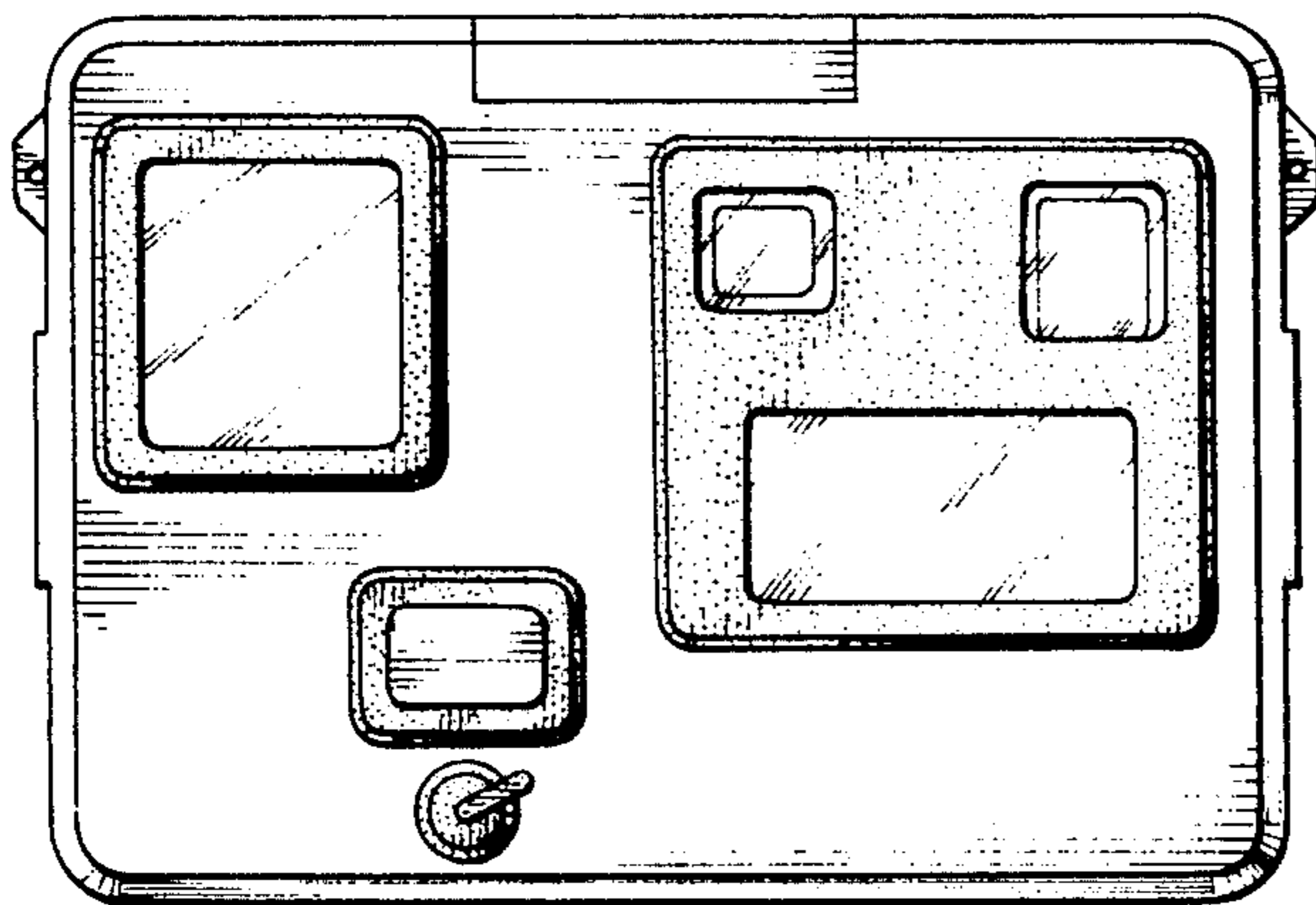


FIG. 4

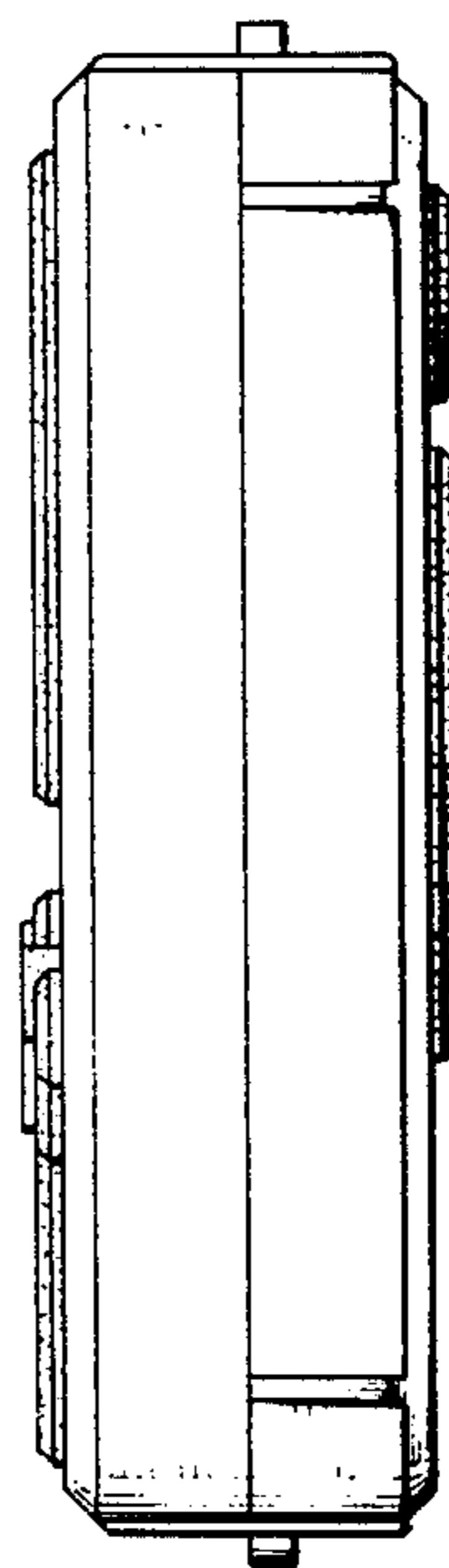
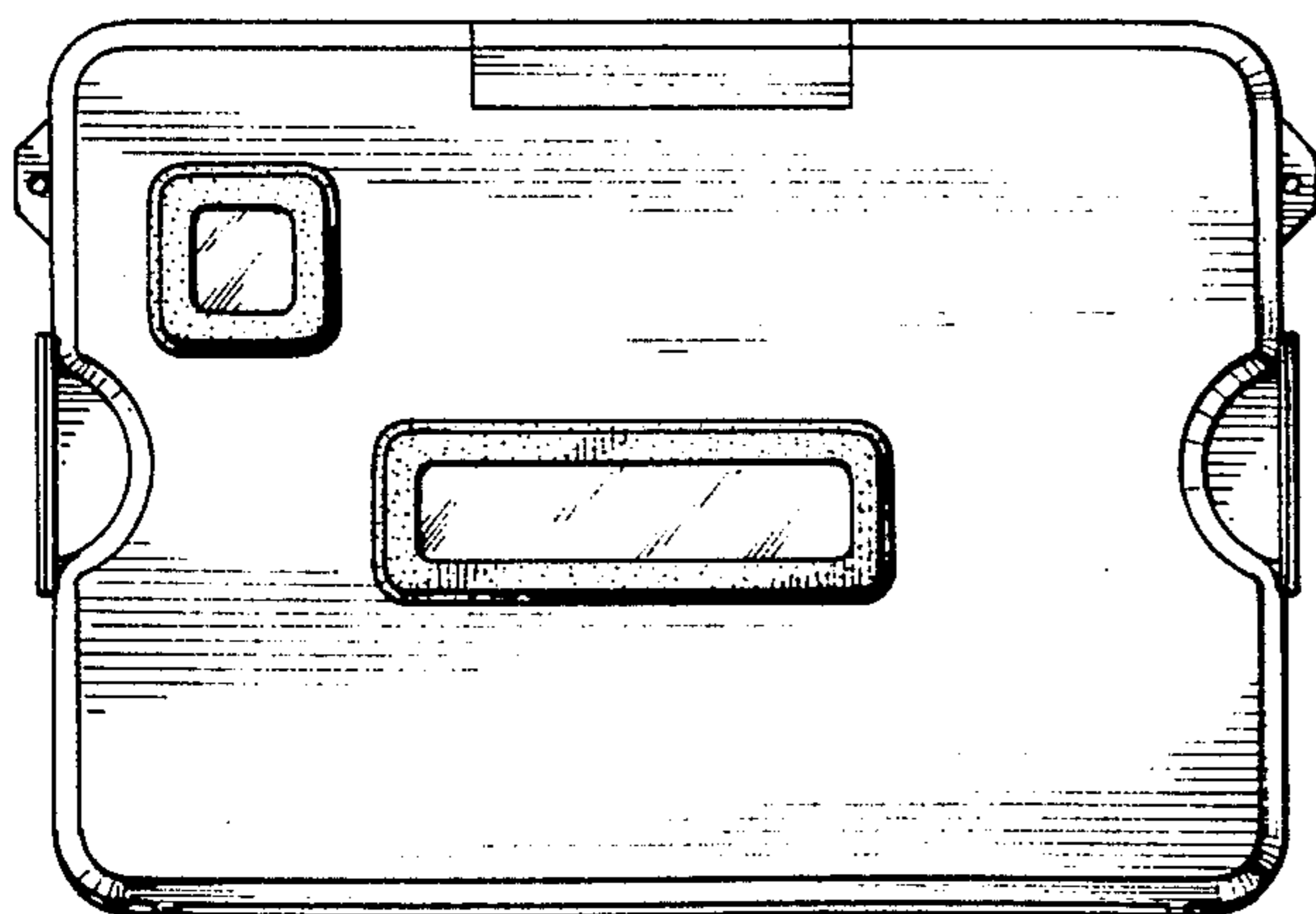


FIG. 5