

# United States Patent [19]

Nja

[11] Patent Number: **Des. 279,786**

[45] Date of Patent: **\*\* Jul. 23, 1985**

[54] **TOOTH FOR BUCKETS ON DIGGING AND LOADING MACHINES**

[75] Inventor: **Olav Nja, Kvernaland, Norway**

[73] Assignee: **Kverneland A/S, Kvernaland, Norway**

[\*\*] Term: **14 Years**

[21] Appl. No.: **501,102**

[22] Filed: **Jun. 6, 1983**

[30] **Foreign Application Priority Data**

Dec. 28, 1982 [NO] Norway ..... 63619

[52] U.S. Cl. .... **D15/29**

[58] Field of Search ..... D15/10, 11, 28, 29, D15/25; 37/141 R, 141 T, 142 R, 142 P

[56] **References Cited**

**U.S. PATENT DOCUMENTS**

D. 213,961 4/1879 Wheatly ..... 37/142 R

D. 275,681 9/1984 Nja ..... D15/28

1,446,389 2/1923 McGrew ..... 37/142 R

2,164,988 7/1939 Biasi ..... 37/141 T

3,440,745 4/1969 Palm ..... 37/141 R

**FOREIGN PATENT DOCUMENTS**

0148834 11/1980 Japan ..... 37/142 R

*Primary Examiner*—B. J. Bullock

*Assistant Examiner*—Suzanne N. Gitlin

*Attorney, Agent, or Firm*—Schwartz, Jeffery, Schwaab, Mack, Blumenthal & Evans

[57] **CLAIM**

The ornamental design for a tooth for buckets on digging and loading machines, substantially as shown.

**DESCRIPTION**

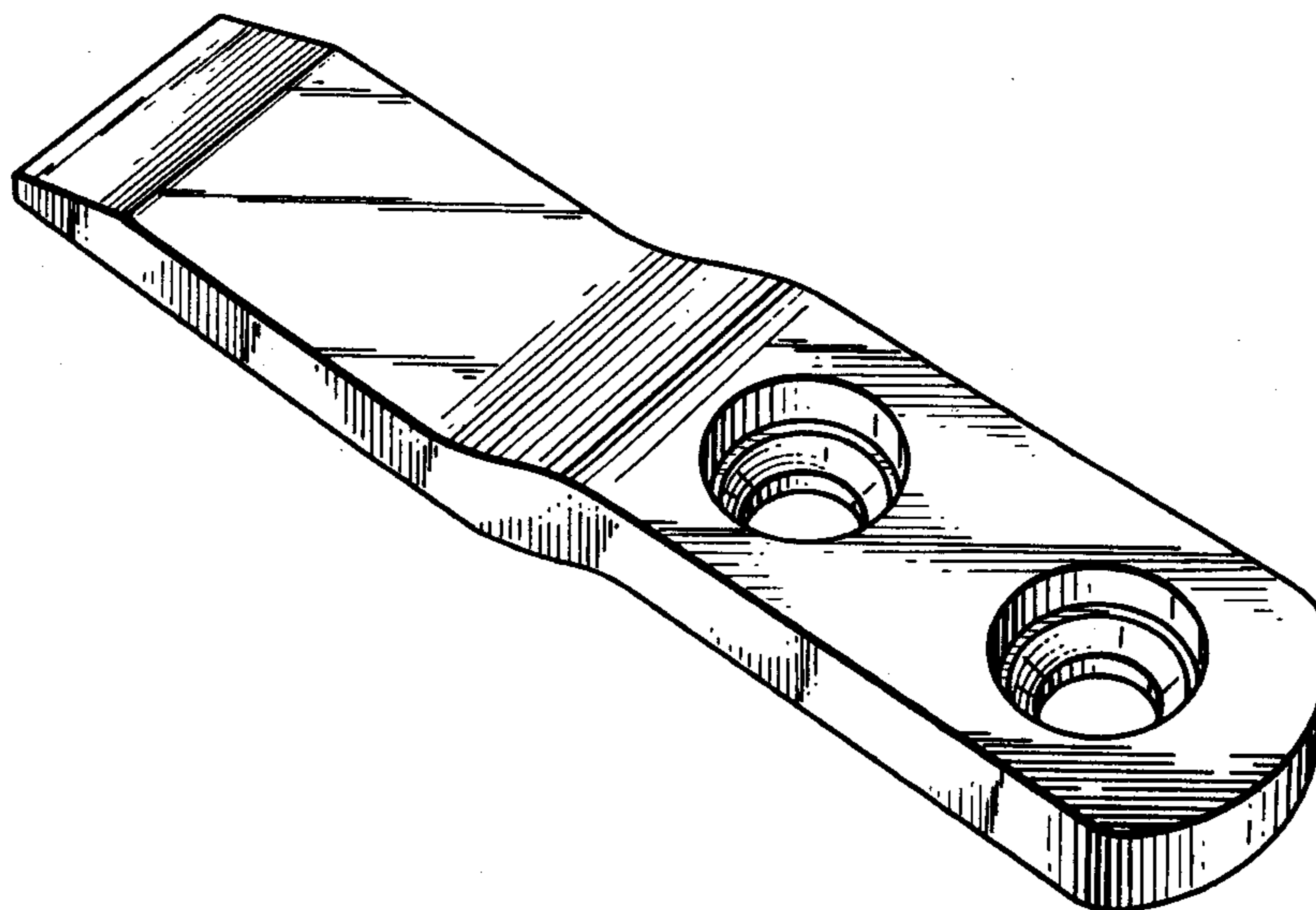
FIG. 1 is a perspective view of a tooth for buckets on digging and loading machines showing my new design; FIG. 2 is an end elevational view taken from the left of FIG. 1;

FIG. 3 is an end elevational view taken from the right of FIG. 1;

FIG. 4 is a top plan view thereof;

FIG. 5 is a side elevational view thereof;

FIG. 6 is a bottom plan view thereof.



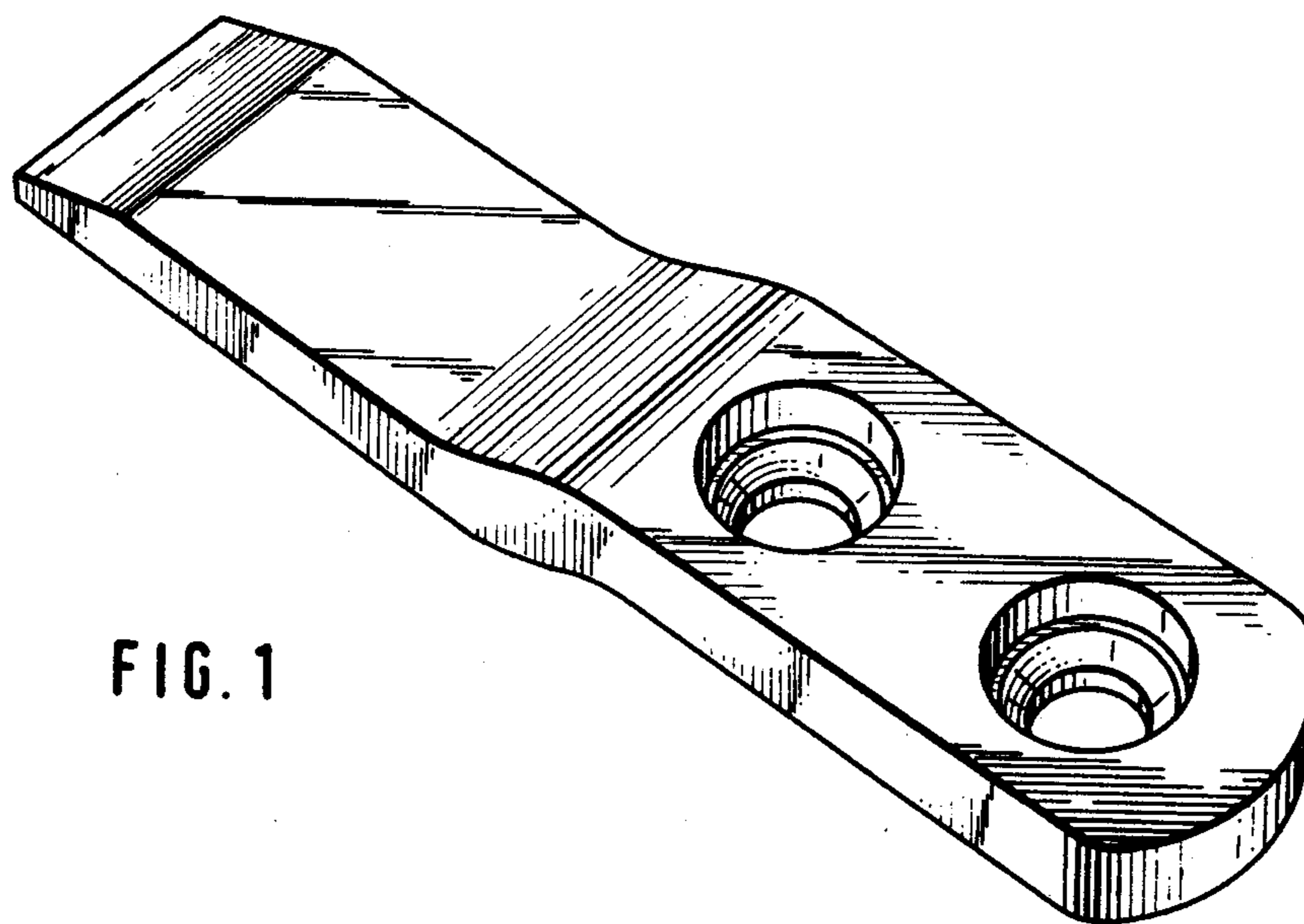


FIG. 1

FIG. 2

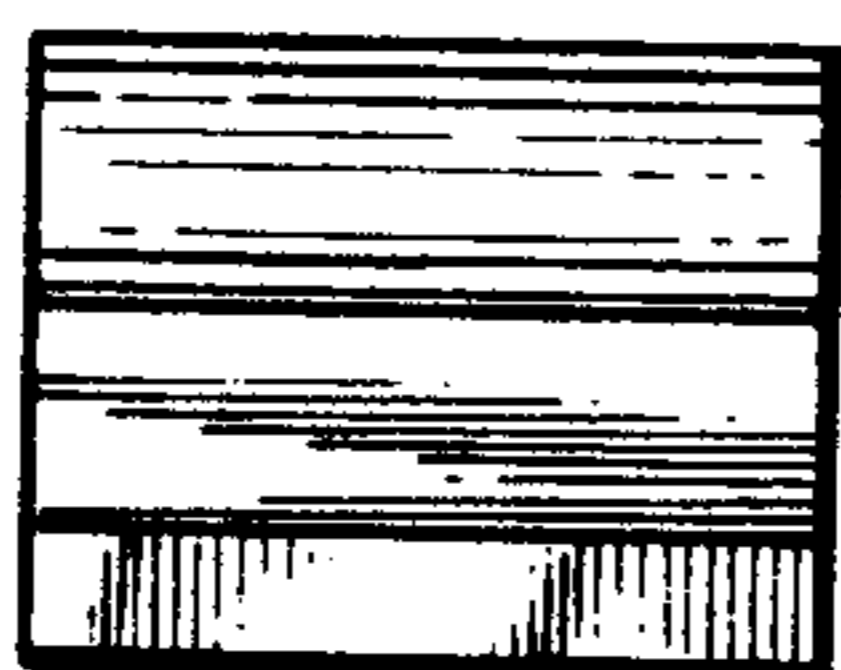


FIG. 3

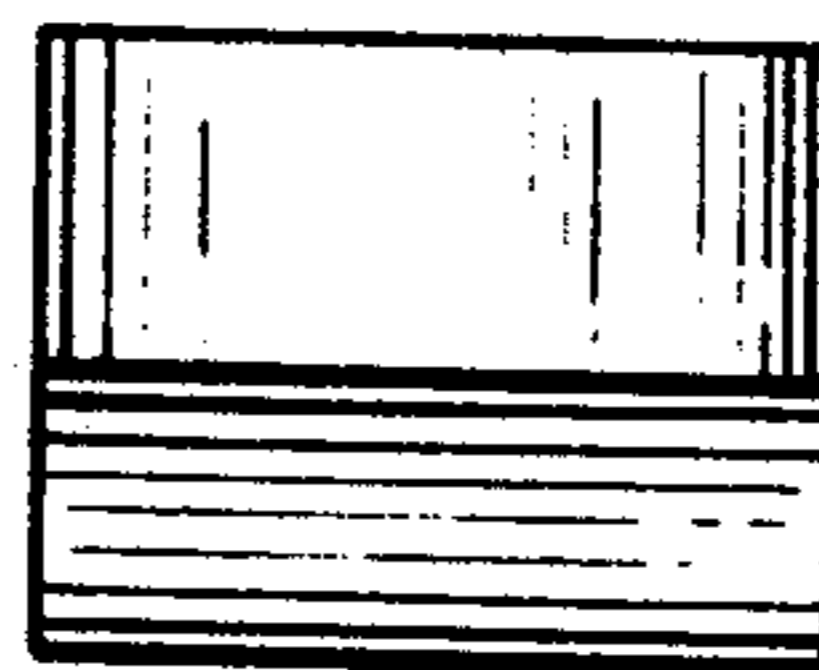


FIG. 4

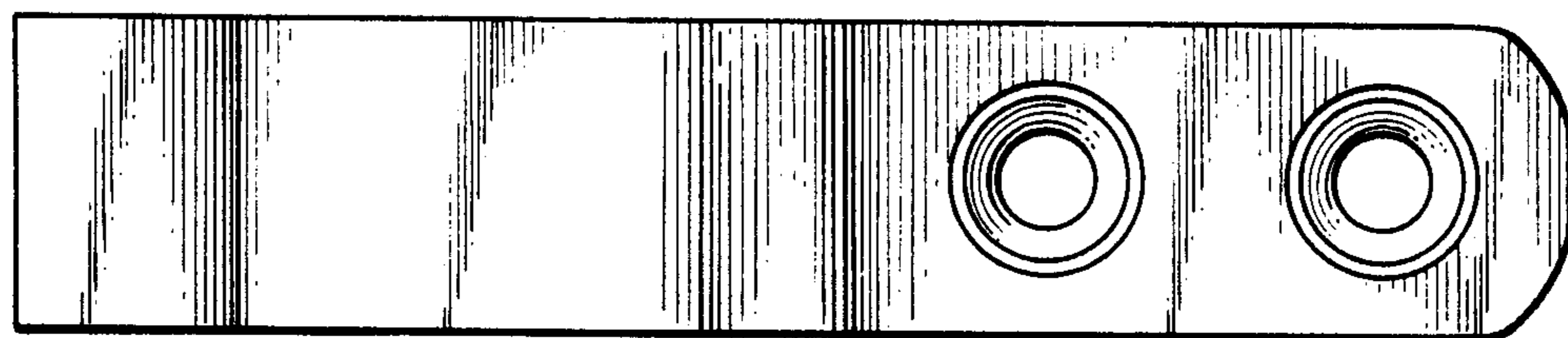


FIG. 5

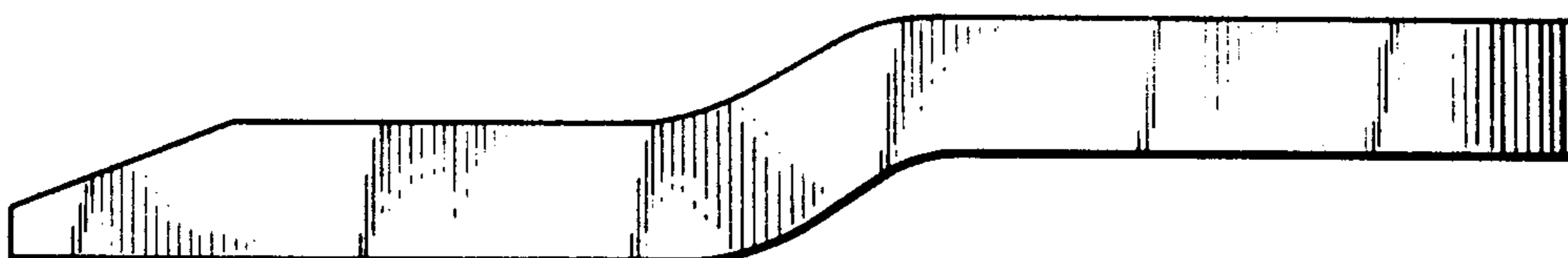


FIG. 6

