

[54] **SUPPORT FOR A POWER MASK FOR DRILLING WELLS**

[76] **Inventor: Michael C. Vaughan, 2200 Anderson Rd., Opelika, Ala. 36802**

[**] **Term: 14 Years**

[21] **Appl. No.: 433,285**

[22] **Filed: Dec. 22, 1982**

[52] **U.S. Cl. D15/21; D15/138; D15/141**

[58] **Field of Search D15/21; D34/33; 173/147, 151**

[56] **References Cited**

U.S. PATENT DOCUMENTS

1,652,650	12/1927	Watson et al.	D15/21
2,075,185	3/1937	Eiler	173/147
2,203,113	6/1940	Wecker et al.	D34/33
2,474,981	7/1949	McCardell	173/151
3,084,808	4/1963	Peduzzi et al.	D34/33

Primary Examiner—Wallace R. Burke
Assistant Examiner—Suzanne N. Gitlin
Attorney, Agent, or Firm—Newton, Hopkins & Ormsby

[57] **CLAIM**

The ornamental design for a support for a power mask for drilling wells, substantially as shown and described.

DESCRIPTION

FIG. 1 is a perspective view of a support for a power mask for drilling wells showing my new design incorporating my design;

FIG. 2 is a top plan view thereof;

FIG. 3 is a front elevational view thereof;

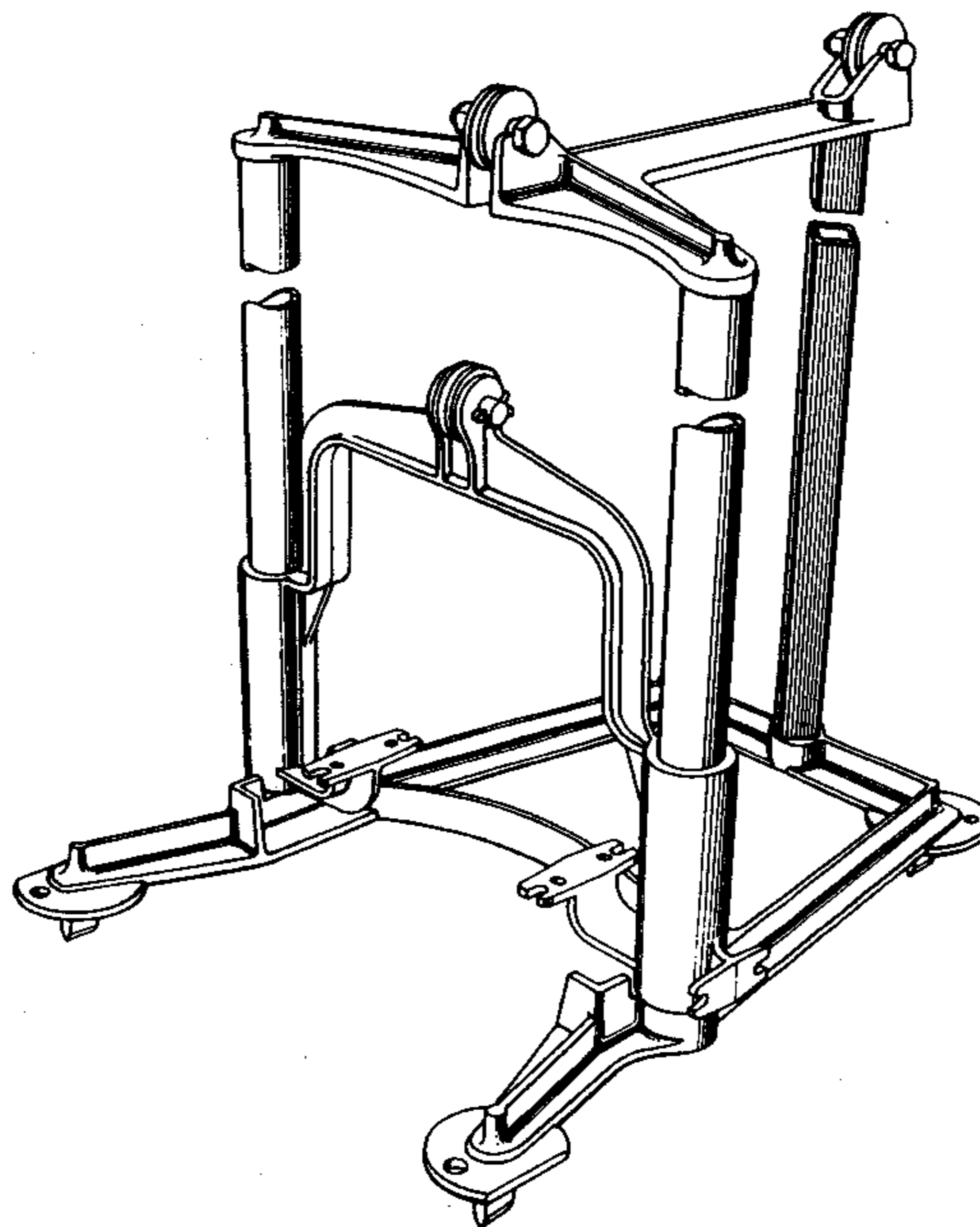
FIG. 4 is a rear elevational view thereof;

FIG. 5 is a side elevational view of the right side thereof;

FIG. 6 is a side elevational view of the opposite side thereof; and

FIG. 7 is a plan view thereof.

The portions shown broken away indicate in indeterminate length.



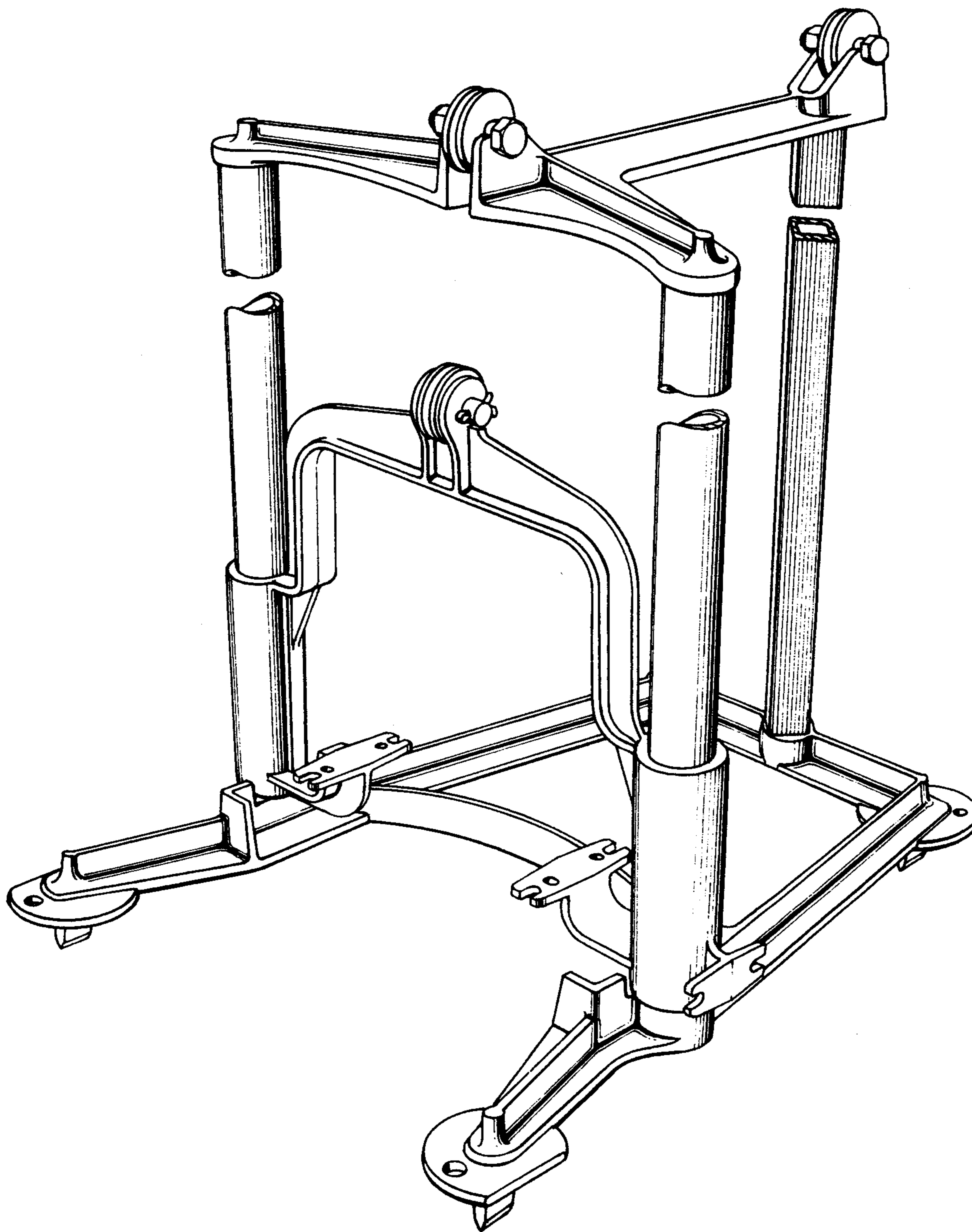


FIG 1

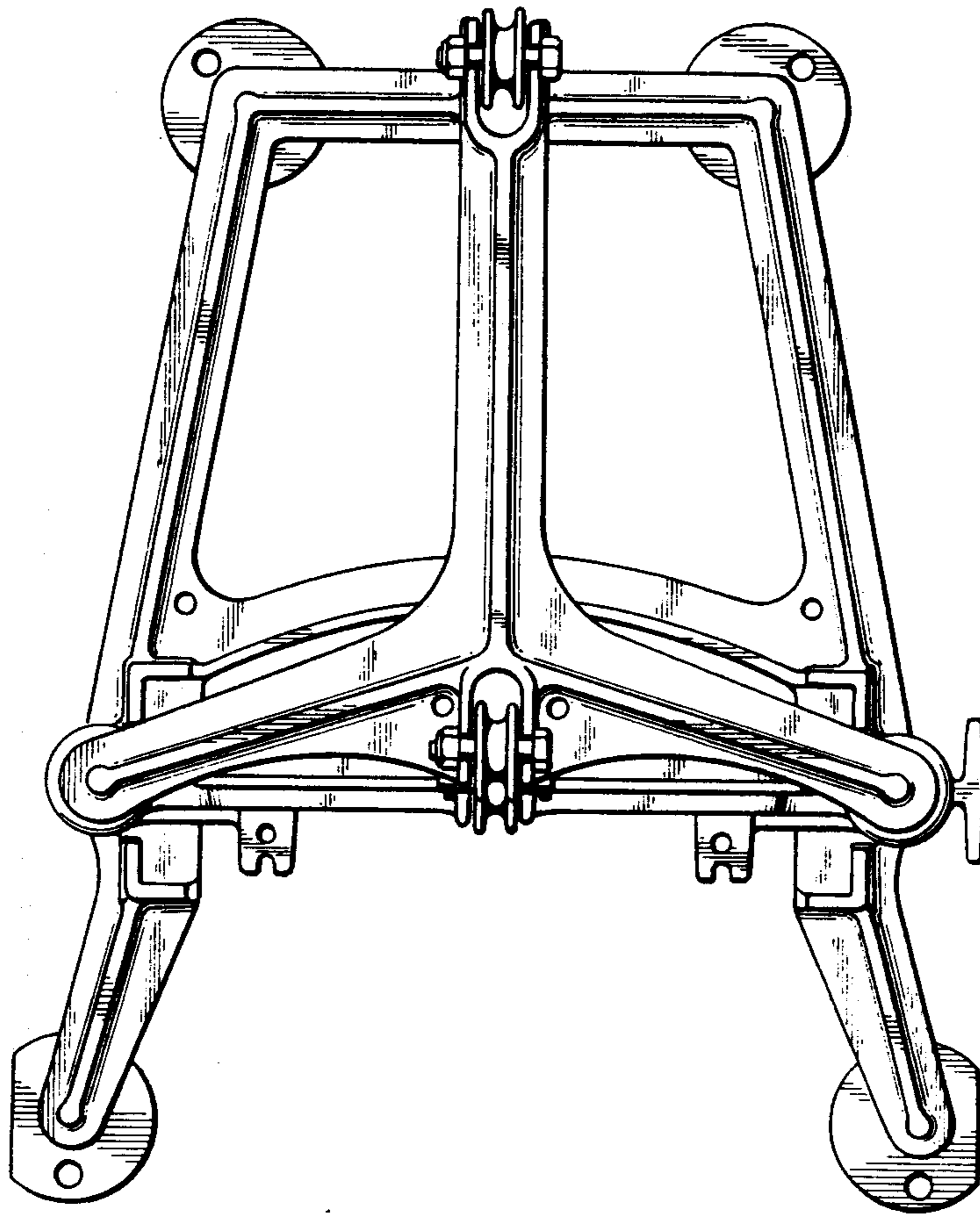


FIG 2

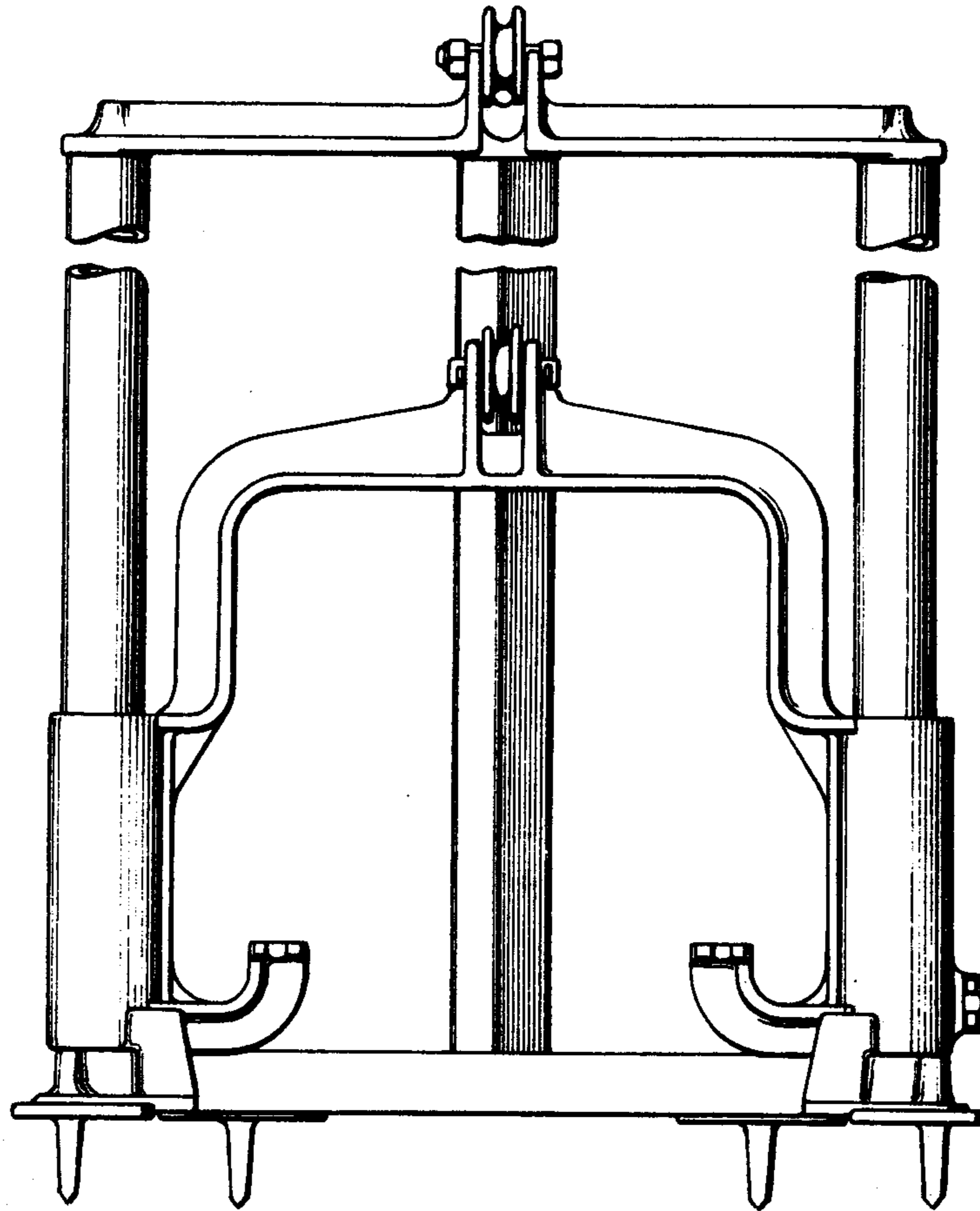


FIG 3

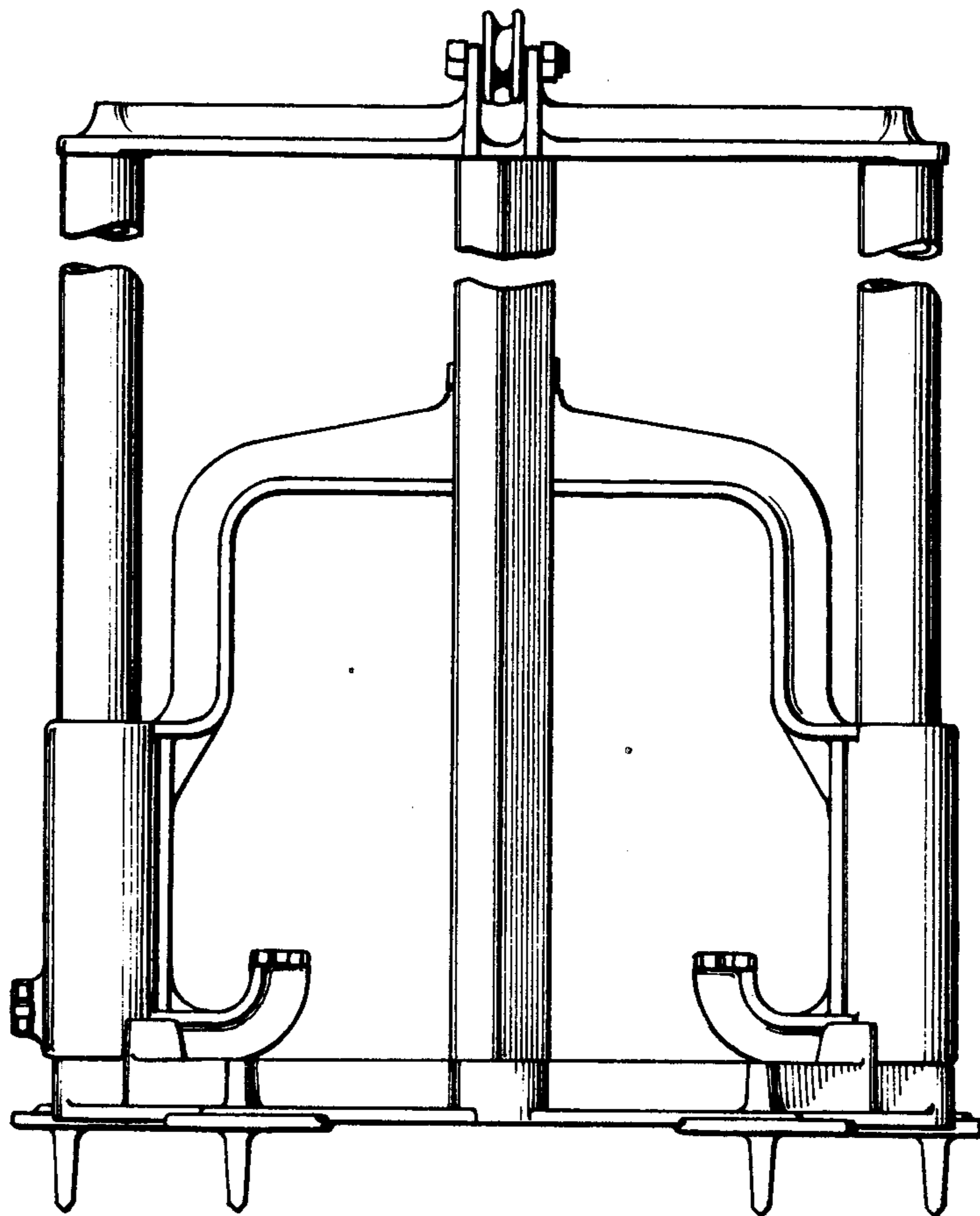


FIG 4

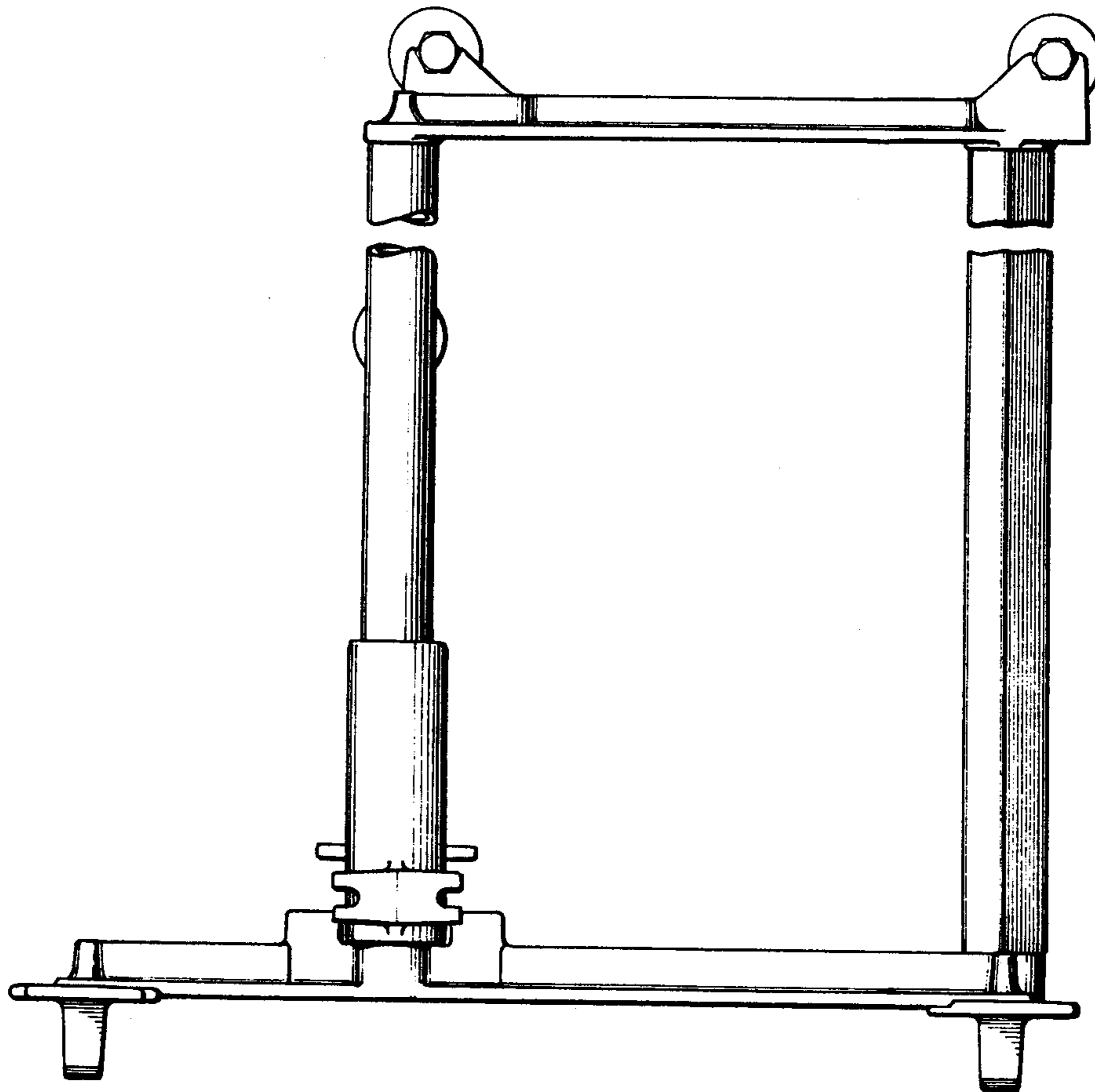


FIG 5

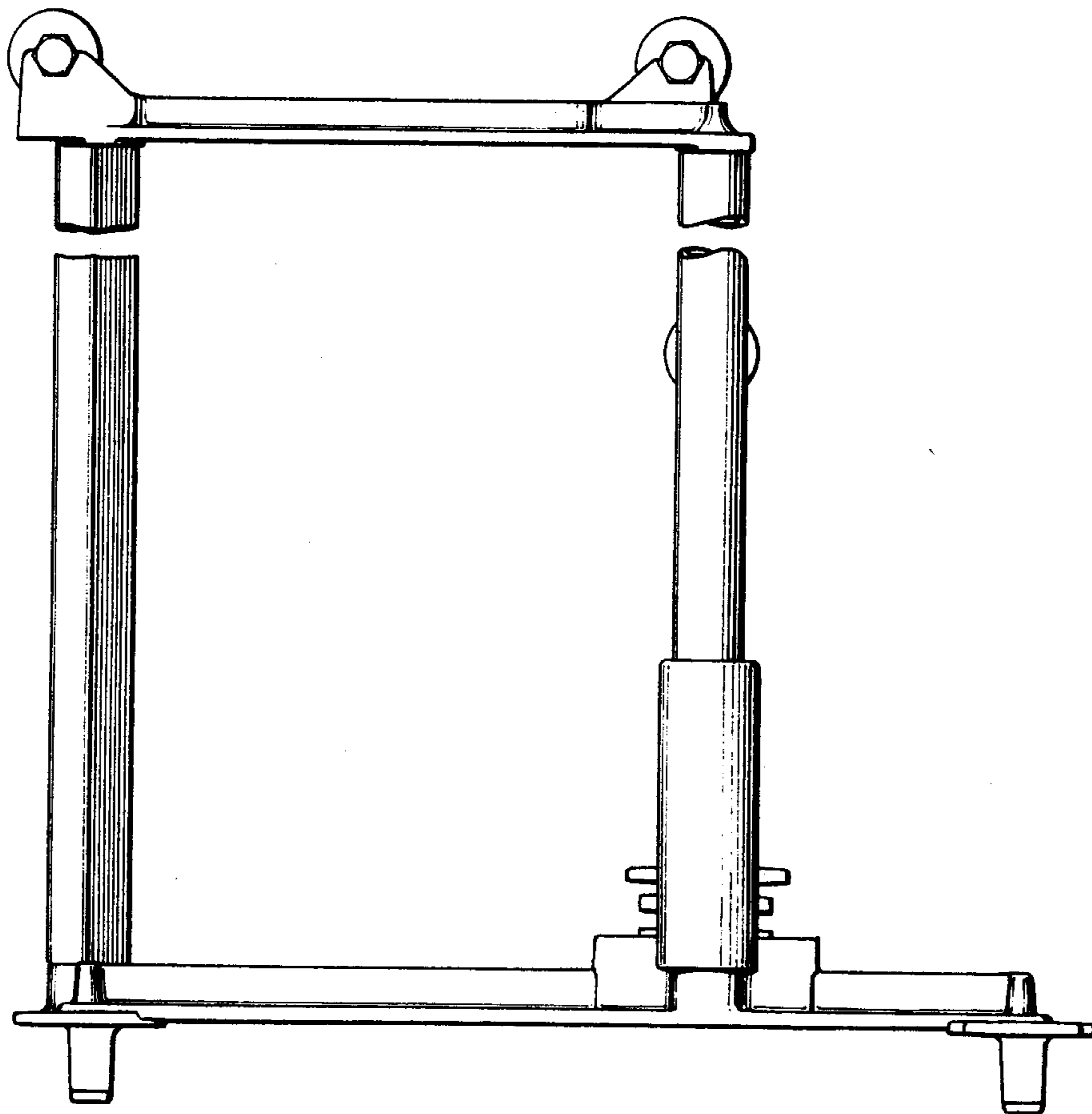


FIG 6

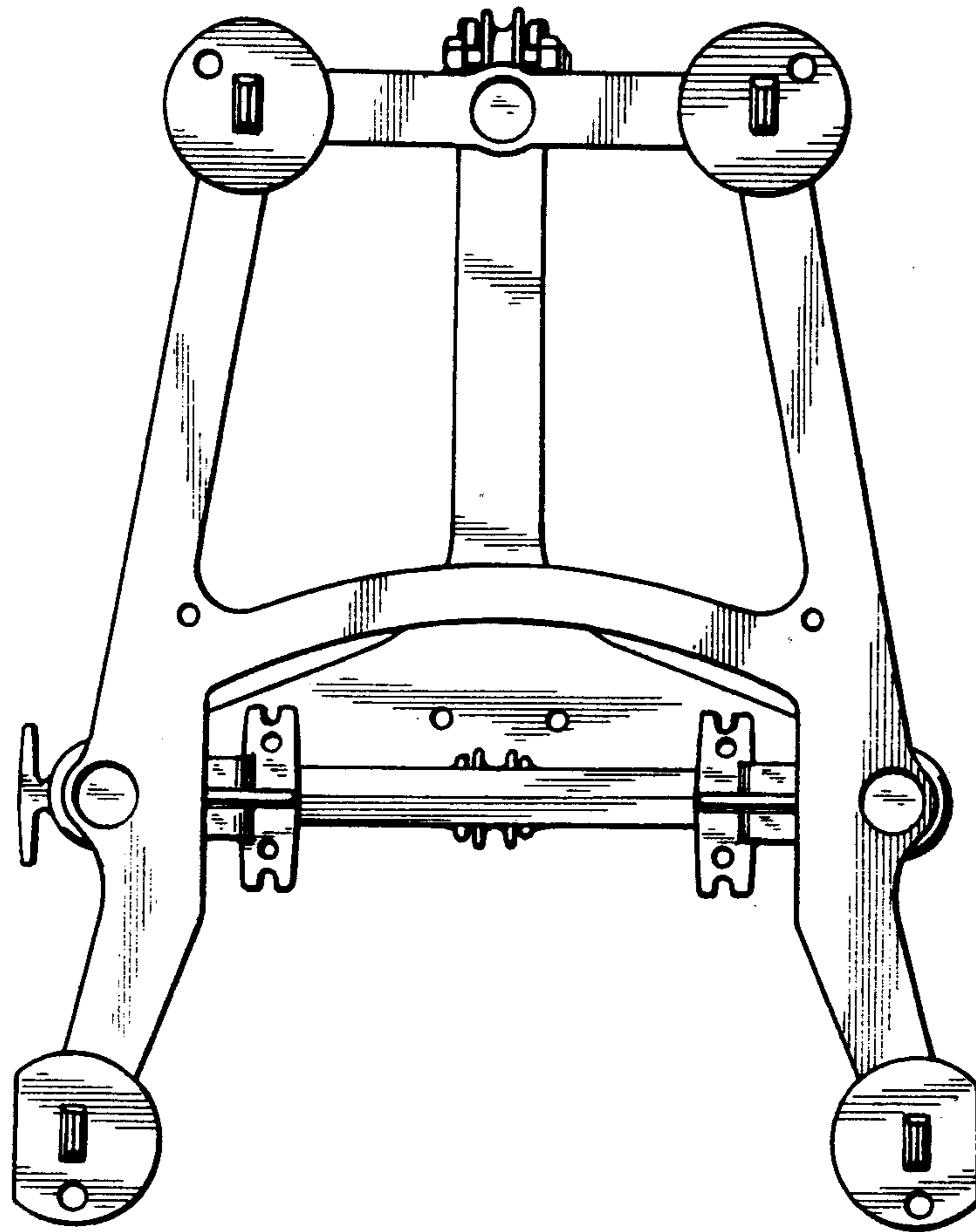


FIG 7