

[54] **FACSIMILE TRANSCIVER**

[75] Inventors: **Katsuhiko Nishiwaki,**
Higashimurayama; Akitaka
Takeuchi, Kodaira; Hiroshi Endo;
Akihiro Kawakami, both of
Yokohama; **Hideo Matsumura,**
Tokyo, all of Japan

[73] Assignee: **Hitachi, Ltd.,** Tokyo, Japan

[**] Term: **14 Years**

[21] Appl. No.: **478,370**

[22] Filed: **Mar. 24, 1983**

[30] **Foreign Application Priority Data**

Oct. 27, 1982 [JP] Japan 57-48484
[52] U.S. Cl. **D14/94**
[58] Field of Search D14/94; D16/30, 31;
358/286

[56] **References Cited**

U.S. PATENT DOCUMENTS

D. 257,984 1/1981 Kurozumi et al. D16/31
D. 272,538 2/1984 Yoshihama et al. D14/94
D. 276,340 11/1984 Takeuchi et al. D14/94

Primary Examiner—Jane E. Corrigan
Attorney, Agent, or Firm—Antonelli, Terry & Wands

[57] **CLAIM**

The ornamental design for a facsimile transceiver, as shown.

DESCRIPTION

FIG. 1 is a front, top and right side perspective view of a facsimile transceiver showing our new design; FIG. 2 is a front elevational view thereof; FIG. 3 is a right side elevational view thereof; FIG. 4 is a rear elevational view thereof; FIG. 5 is a left side elevational view thereof; FIG. 6 is a top plan view thereof; and FIG. 7 is a bottom plan view thereof.

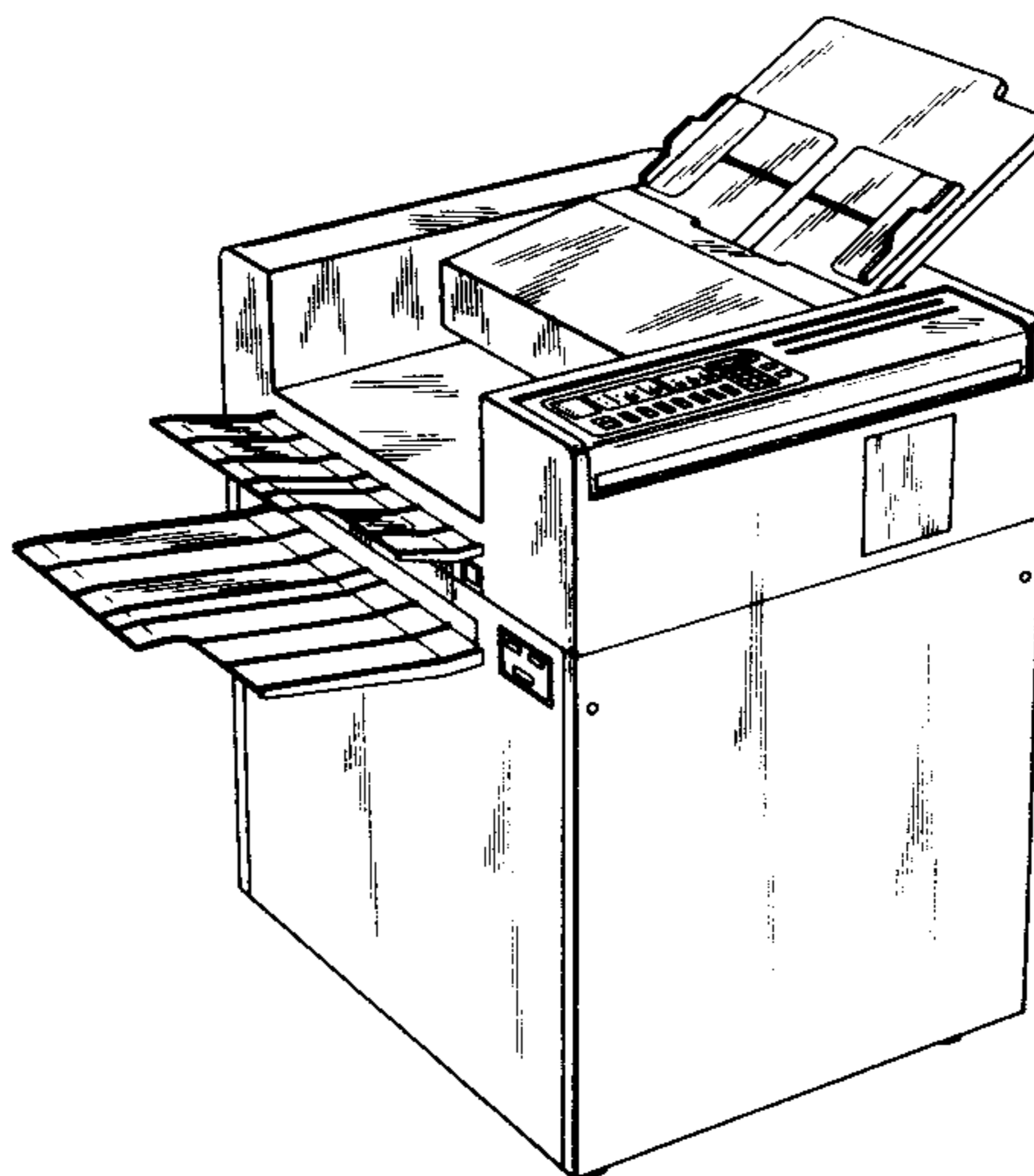


FIG. 1

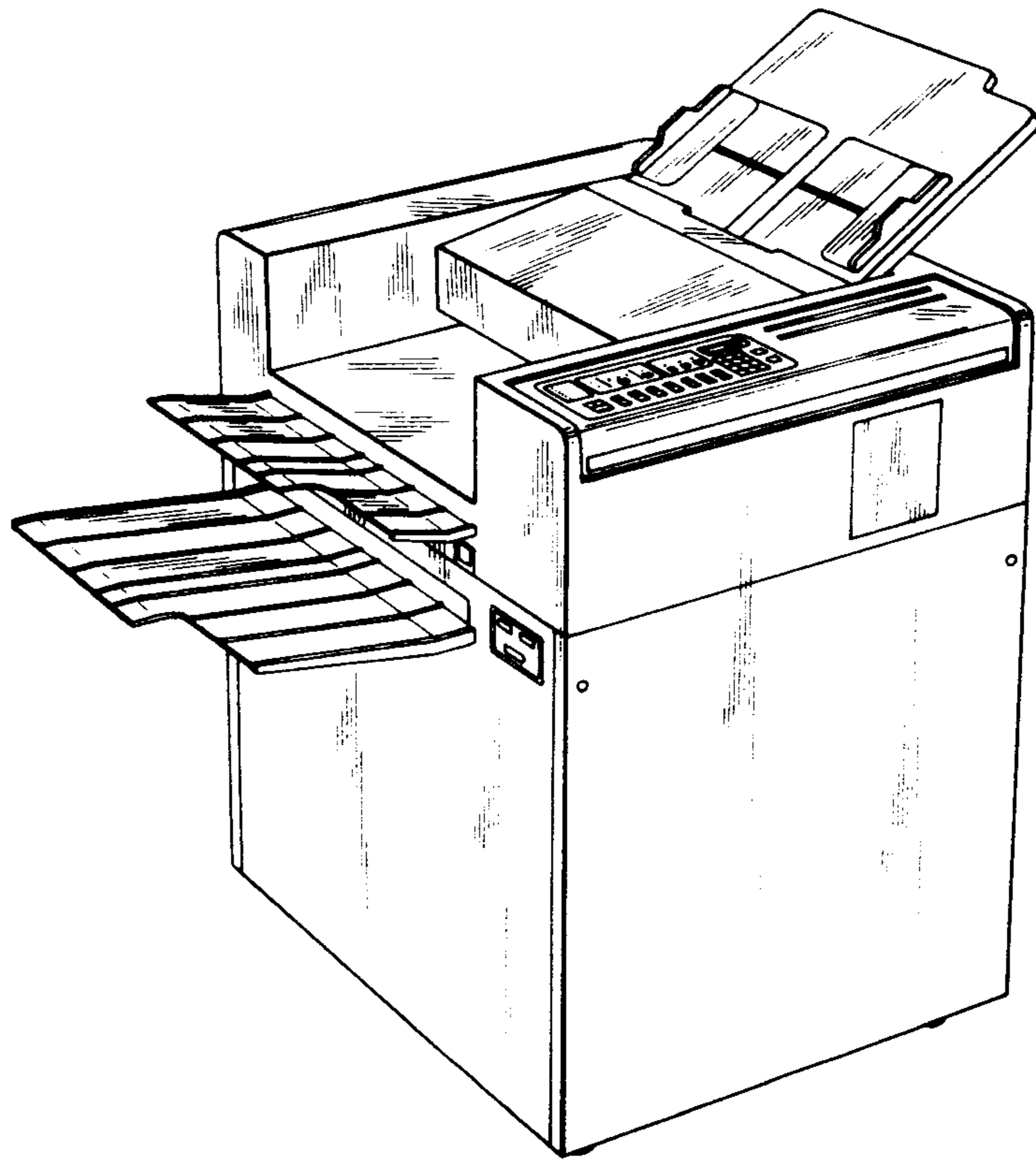


FIG. 3

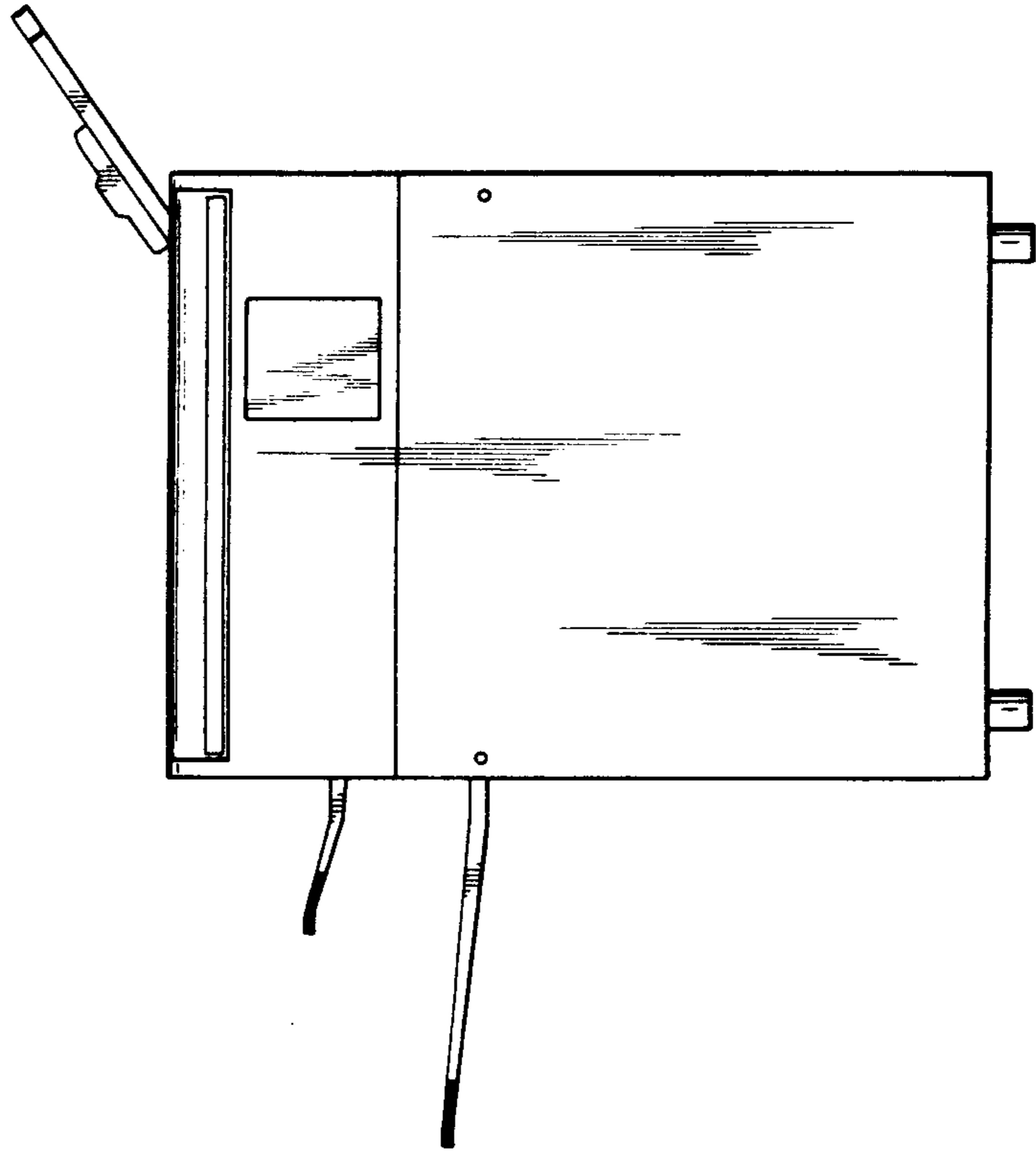


FIG. 2

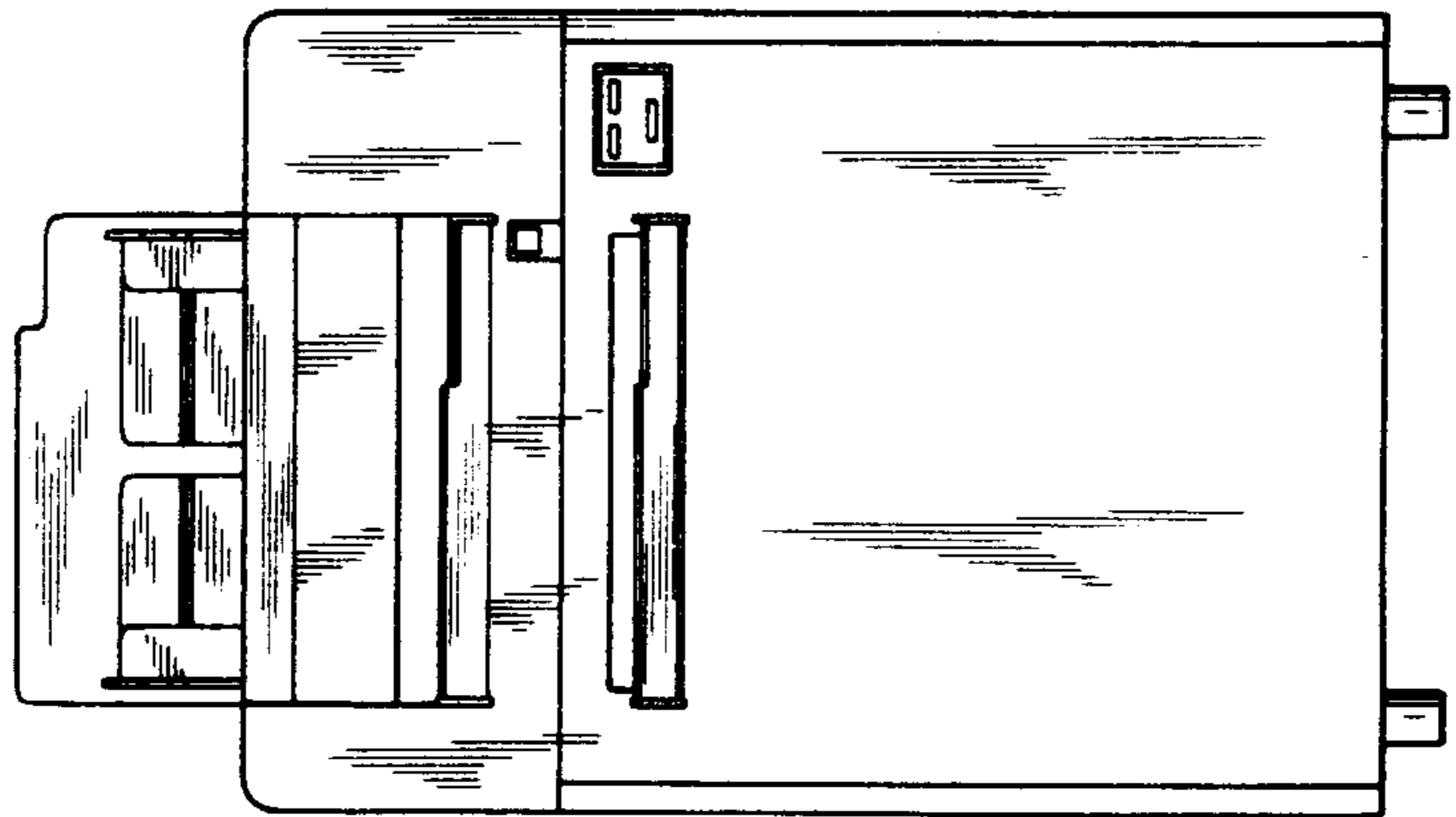


FIG. 5

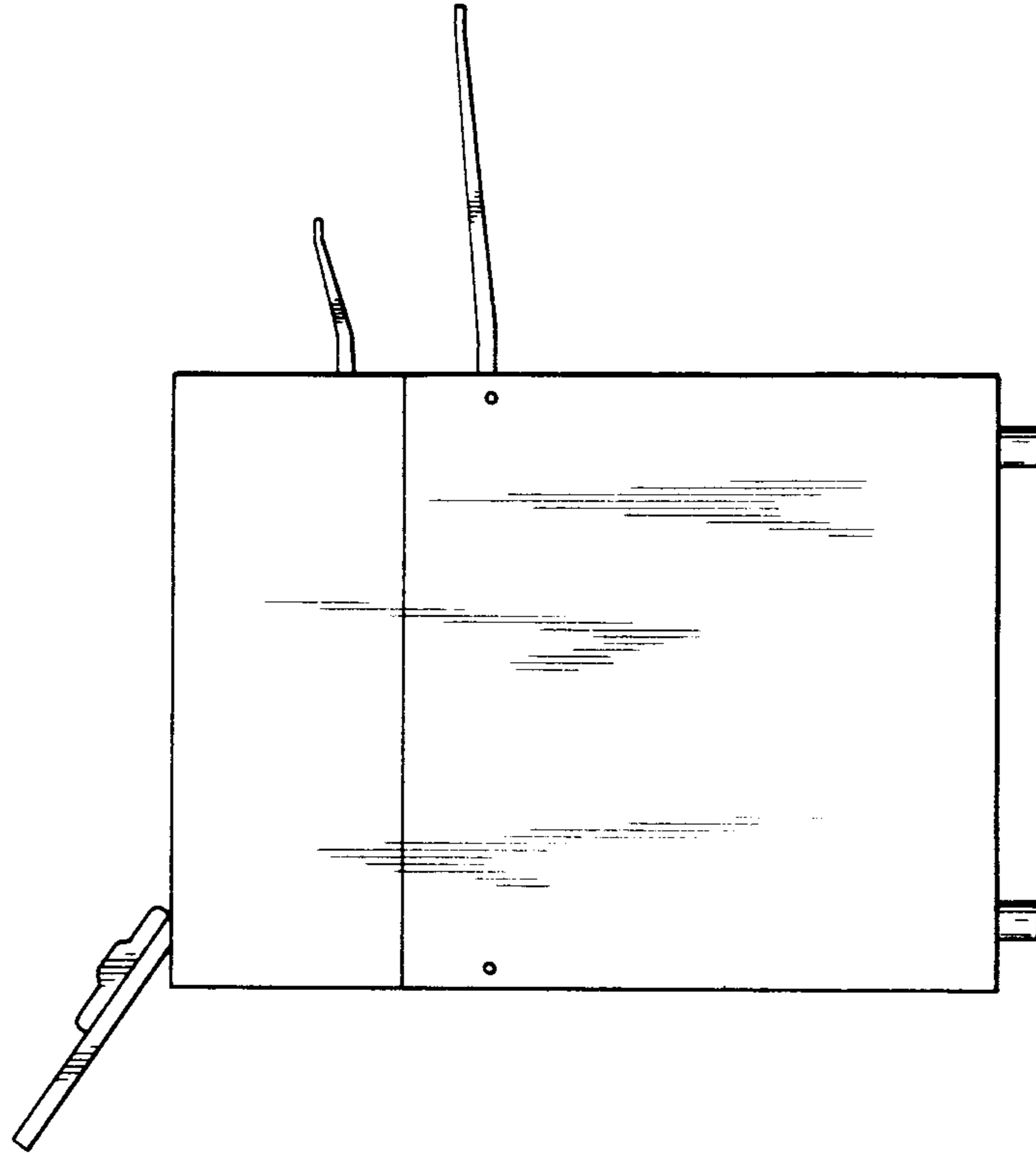


FIG. 4

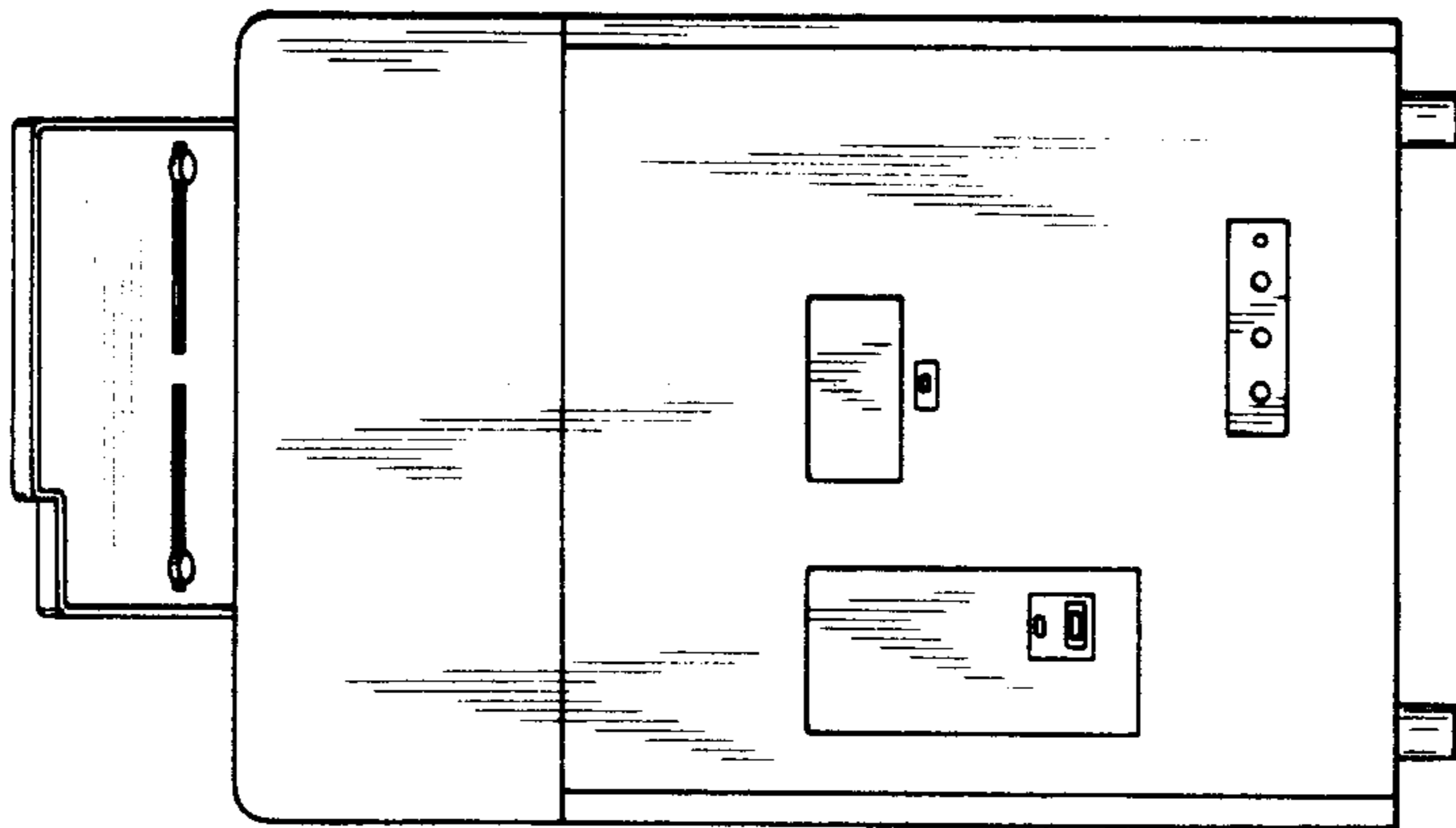


FIG. 7

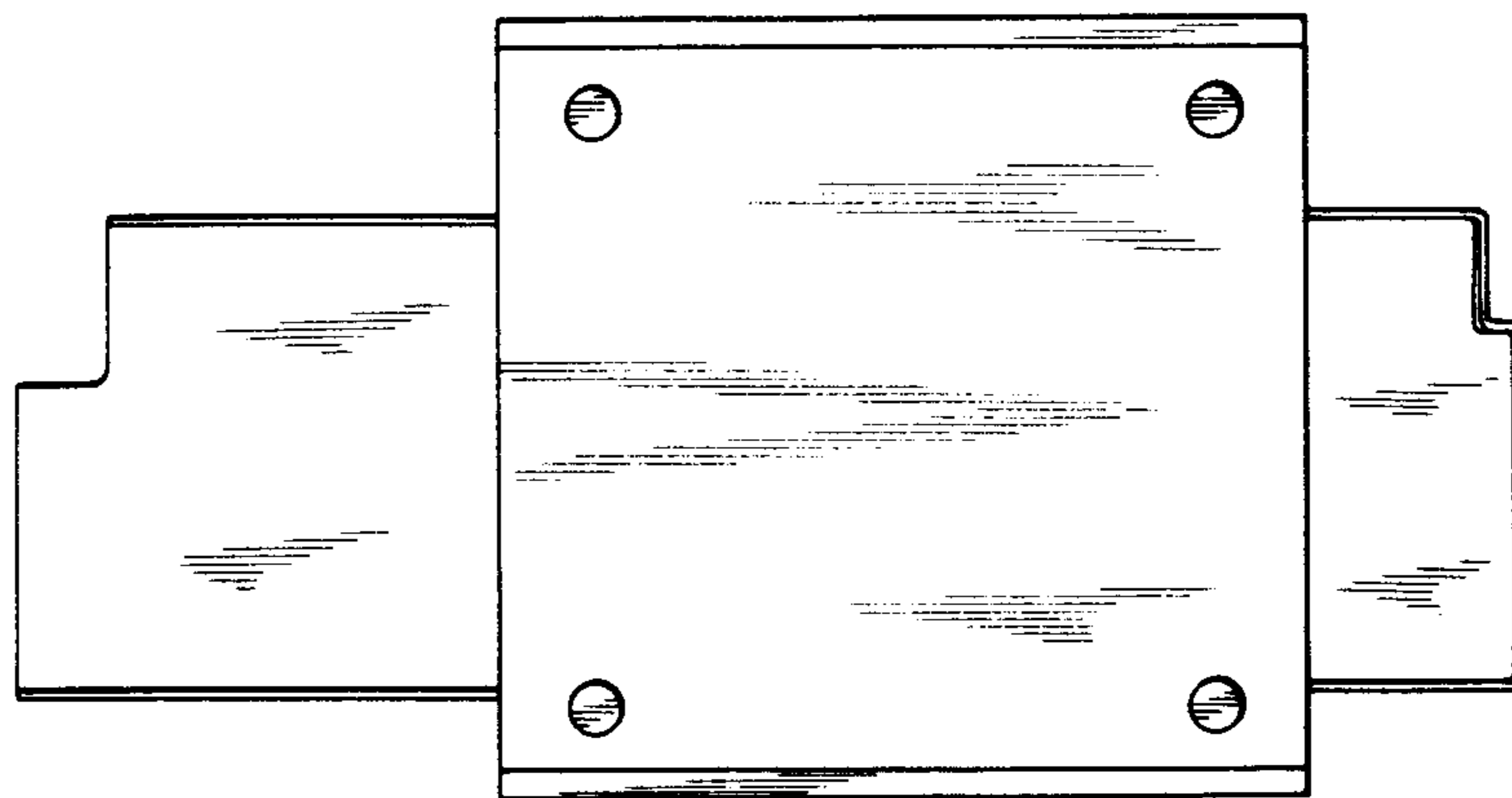


FIG. 6

