

United States Patent [19]

Hinata

[11] Patent Number: **Des. 279,771**

[45] Date of Patent: **** Jul. 23, 1985**

[54] **SIREN**

[75] Inventor: **Kozaburo Hinata, Wako, Japan**

[73] Assignee: **Kobishi Electric Co., Ltd., Japan**

[**] Term: **14 Years**

[21] Appl. No.: **562,702**

[22] Filed: **Dec. 19, 1983**

[52] U.S. Cl. **D10/120**

[58] Field of Search **D10/116, 119, 120;**
340/384 S, 404, 405; 116/137, 142, 147

[56] **References Cited**

U.S. PATENT DOCUMENTS

D. 269,417	6/1983	Shintaker	D10/120
D. 275,843	10/1984	Sharenow	D10/120
1,351,904	9/1920	Hartman	116/137 R
1,746,437	2/1930	Giles	340/405
2,017,132	10/1935	Ricci	340/405

4,171,677 10/1979 Hibell 116/142 R

OTHER PUBLICATIONS

Yankee Emergency Equipment, 1979, p. 21, Speakers All on the page.

Sirene, 1979, p. 5, Siren Speakers #44860 in lower left corner.

Primary Examiner—B. J. Bullock

Assistant Examiner—Suzanne N. Gitlin

Attorney, Agent, or Firm—Darby & Darby

[57] **CLAIM**

The ornamental design for a siren, as shown.

DESCRIPTION

FIG. 1 is a front view of a siren showing my new design;

FIG. 2 is a side elevational view thereof;

FIG. 3 is a rear elevational view thereof;

FIG. 4 is a reduced perspective view thereof.

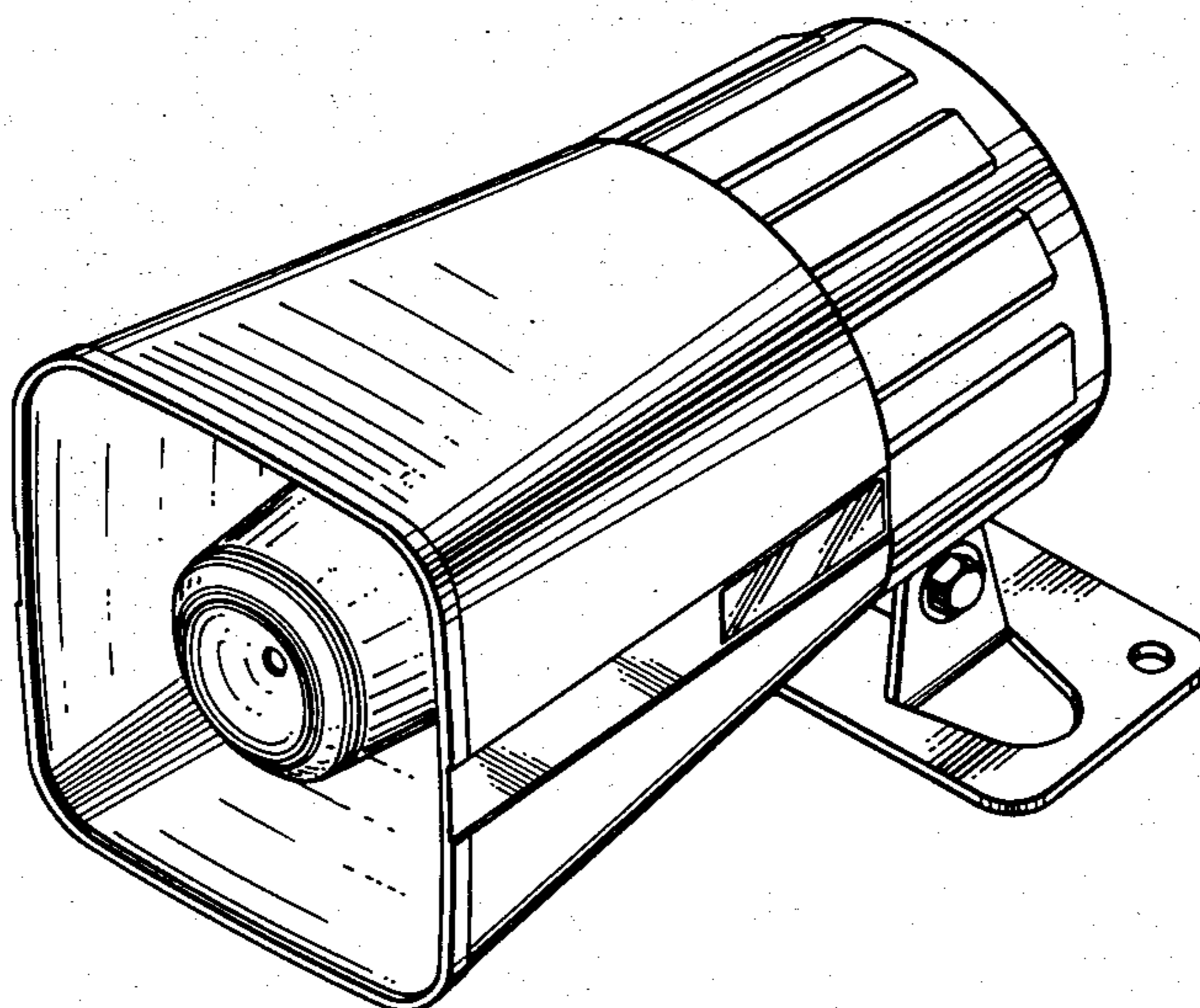


FIG. 1

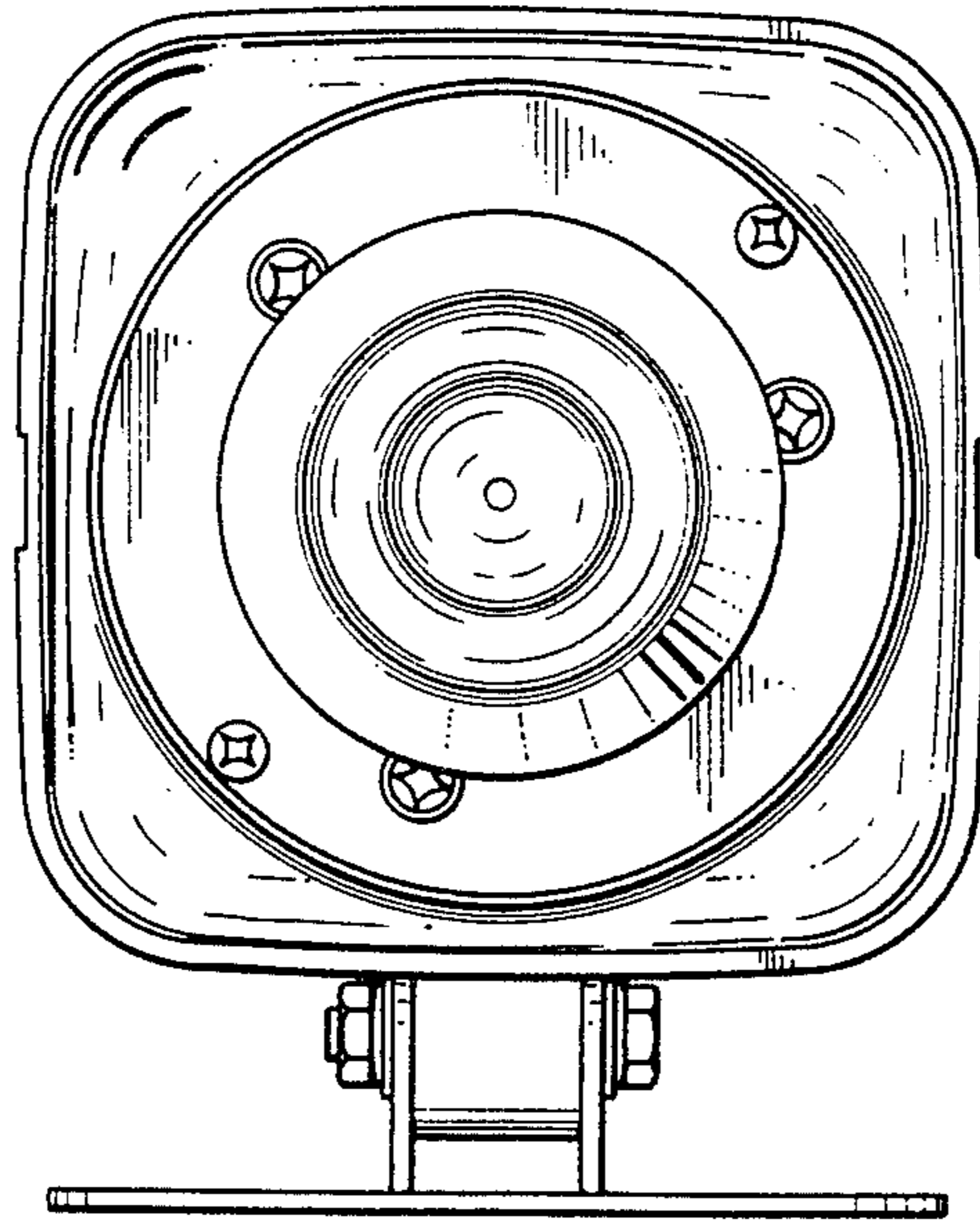


FIG. 2

